

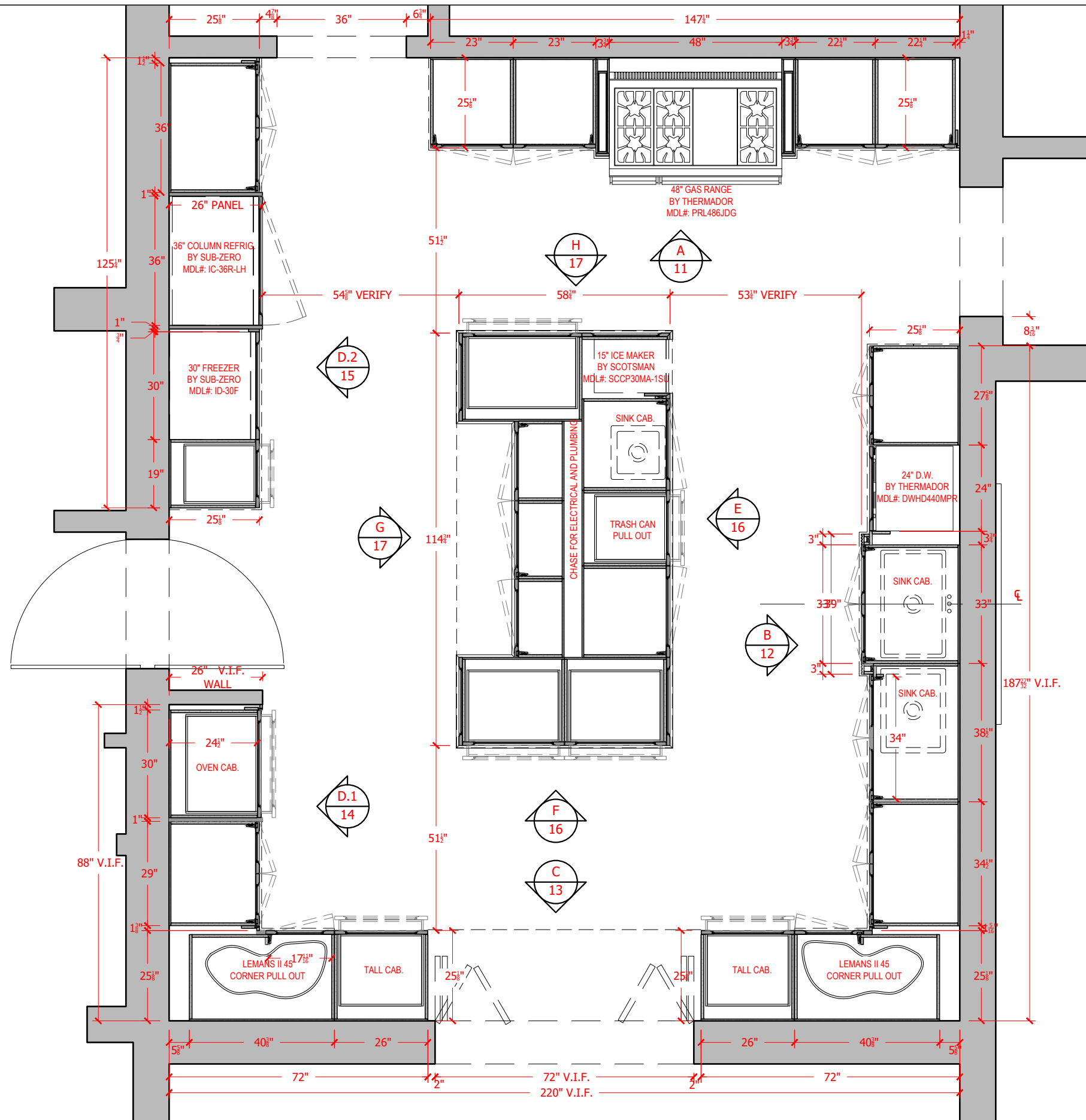
CABINET SPECIFICATIONS							STOCK HARDWARE						
<b>CARCASS CONSTRUCTION:</b>	<b>3/4" PLYWOOD - PREFINISHED MAPLE</b>						ITEM	DESCRIPTION	MANUFACTURER	QTY	ITEM#		
<b>BASE CABINETS:</b>	<b>SIDES RAILS &amp; BOTTOMS TO BE 3/4" PLYWOOD SCREWED. BACK PANELS TO BE 1/2" PLYWOOD APPLIED WITH SCREWS. EXTERIOR EXPOSED EDGES TO BE PAINTED</b>						1	FULL OVERLAY HINGES	BLUM	-			
<b>WALL CABINETS:</b>	<b>SIDES RAILS &amp; BOTTOMS TO BE 3/4" PLYWOOD SCREWED. BACK PANELS TO BE 1/2" PLYWOOD APPLIED WITH SCREWS.</b>						2	UNDERMOUNT SOFT SELF CLOSE SLIDES	BLUM	-			
<b>HANGING RODS:</b>	<b>N/A</b>						3	STAINLESS STEEL ADJUSTABLE FEET		-			
<b>FIXED SHELVES:</b>	<b>SHELVES TO BE 3/4" PLYWOOD W/ EDGE BAND TO EXPOSED EDGES. TO BE RECESSED 1/4" FROM FACE OF UNIT</b>						4	UNDER CAB LED STRIP LIGHTING	BLUM	-			
<b>DOORS AND DRAWER FRONTS:</b>	<b>1" THICK MDF- REFER TO DRAWINGS FOR DETAIL</b>						5	TRANSFORMERS	BLUM	-			
<b>DRAWERS :</b>	<b>PREFINISHED MAPLE DOVETAIL DRAWER BOXES</b>						6	FLUSH LIGHT TRACK	BLUM	-			
<b>DRAWER SLIDES :</b>	<b>BLUM UNDERMOUNT SOFT CLOSE</b>						7	POWER SUPPLY	BLUM	-			
<b>HINGES :</b>	<b>BLUM CONCEALED FULL OVERLAY SOFT CLOSE</b>						8	CORDS	BLUM	-			
<b>HANDLES :</b>	<b>BY OWNER</b>						9	12V CONNECTORS	BLUM	-		<b>PROJECT:</b> BRUCKMANN RESIDENCE	
<b>FINISH :</b>	<b>WHITE PAINT</b>						10	SPICE PULL-OUT TRAY		-		<b>JOB NO. :</b> BUC-K	
							11	POCKET DOOR HARDWARE		-		<b>ROOM :</b> KITCHEN 127	
							12	LEMANS II 45- CORNER PULL OUT		-		<b>SHEET NO. :</b> 01 OF 20	
							13	FLIP UP HINGES		-		<b>DATE :</b>	
							14					<b>DRAWN BY :</b> HD	
							15					<b>APPROVALS</b>	
							16					<b>CLIENT</b>	
							17					DATE: / /	
							18					<b>DESIGN DEPARTMENT</b>	
							19					DATE: / /	
							20					<b>FIELD VERIFICATION</b>	
							21					DATE: / /	
							22					<b>ENGINEERING DEPARTMENT</b>	
							23					DATE: / /	
							24					<b>FABRICATION DEPARTMENT</b>	
							25					DATE: / /	
												<b>FINISHING DEPARTMENT</b>	
												DATE: / /	

LAMINATE			SOLID WOOD			
LAMINATE	MANUFACTURER	COLOR / NUMBER	WOOD	SPECIES	CUT	FINISH
L-1			WD-1	MDF		WHITE PAINT
L-2			WD-2			
L-3			WD-3			
L-4			WD-4			
L-5			WD-5			

EDGE BANDING			SHEET GOODS			
LAMINATE	THICKNESS	MANUFACTURER	COLOR / NUMBER	SS	MANUFACTURER	COLOR / NUMBER
EB-1				SS-1		
EB-2				SS-2		
EB-3				SS-3		
EB-4				SS-4		
EB-5				SS-5		

**NOTES:**



1 PLAN SECTION @ 24" A.F.F.  
Scale: 3/8" = 1'-0"

REVISIONS:

By No. Date Description

SHEET NO:

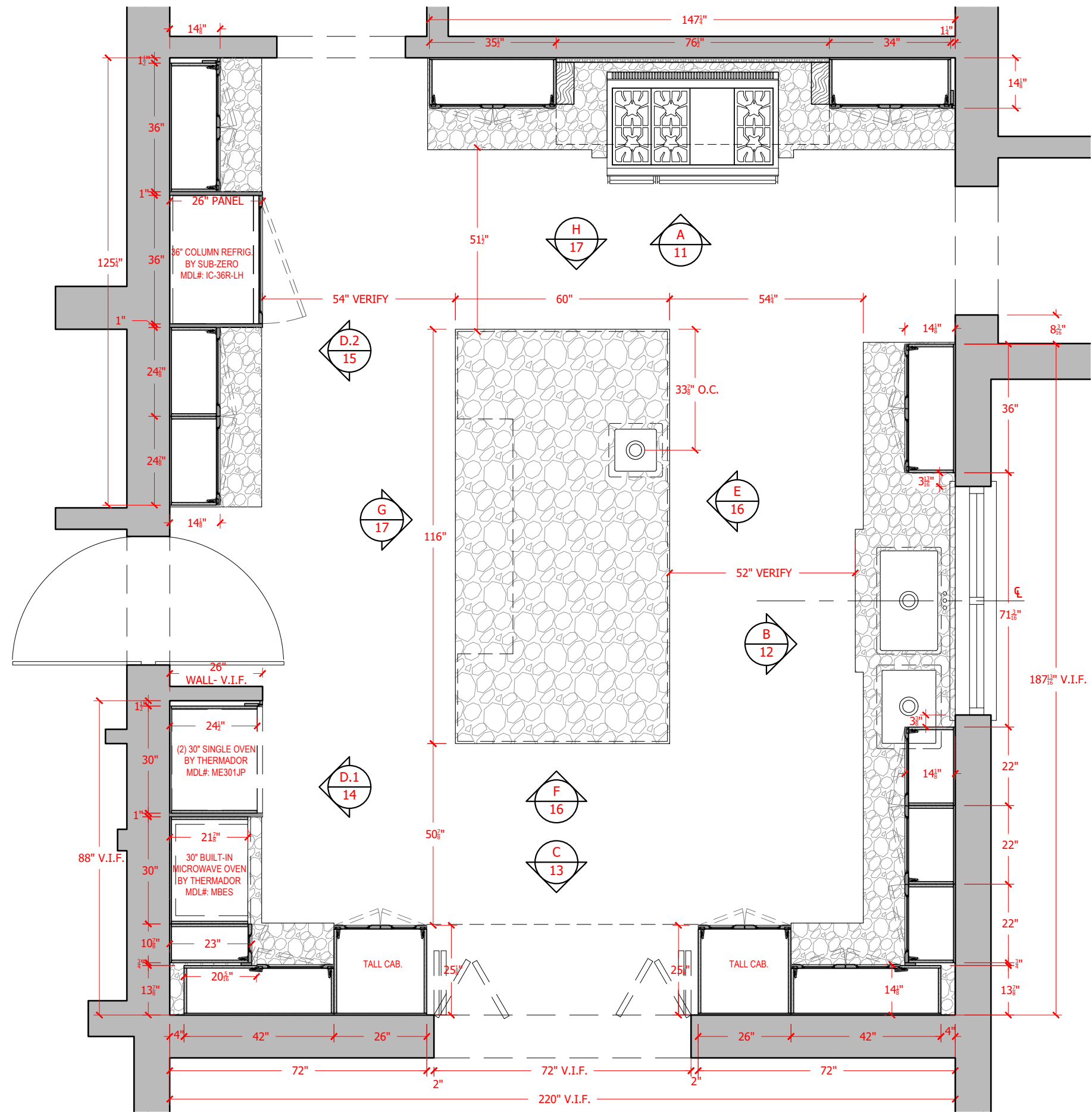
02 OF 20

NOTES:

PROJECT:

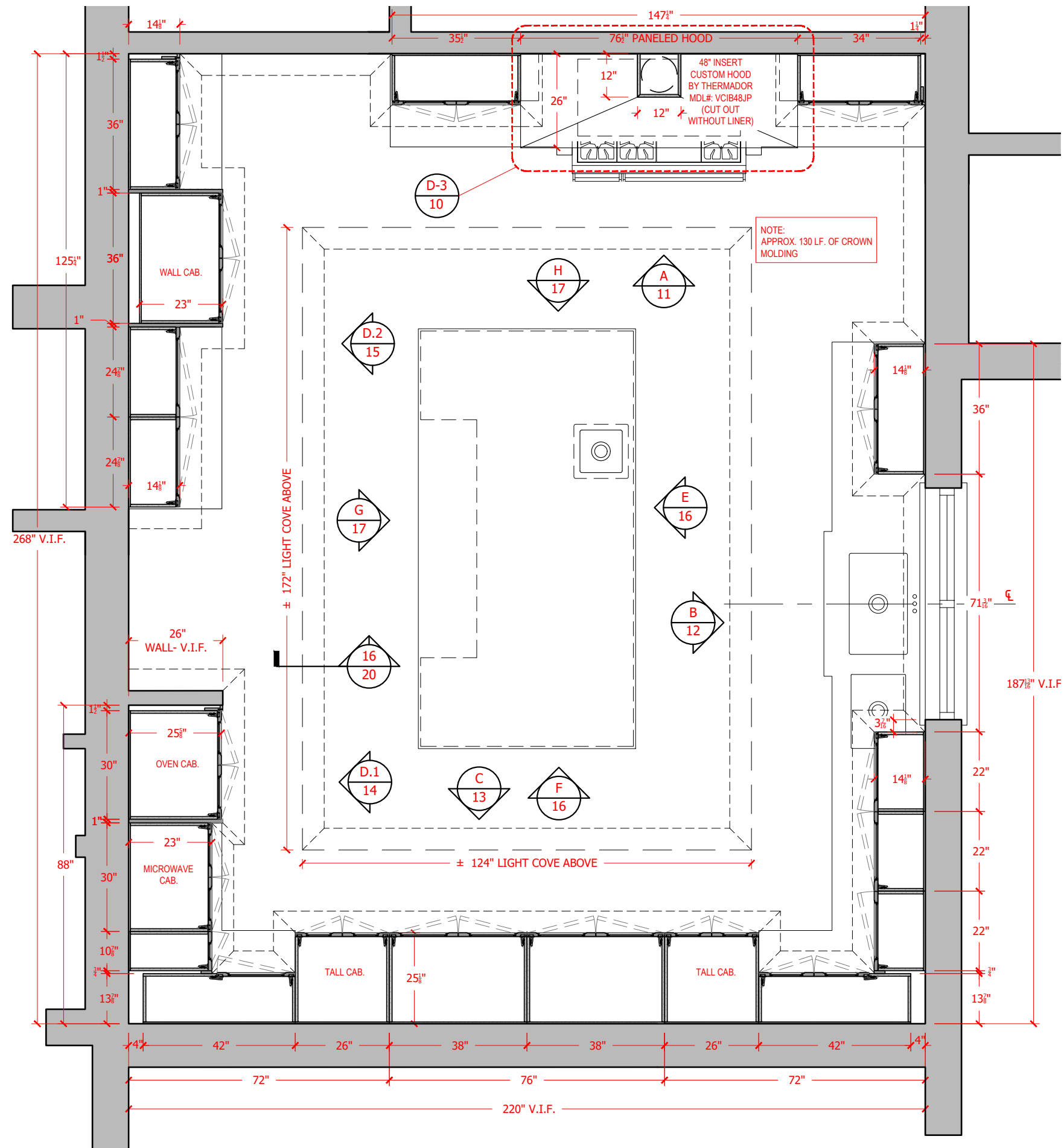
ROOM:  
KITCHEN 127

JOB NO.:  
BUC-K



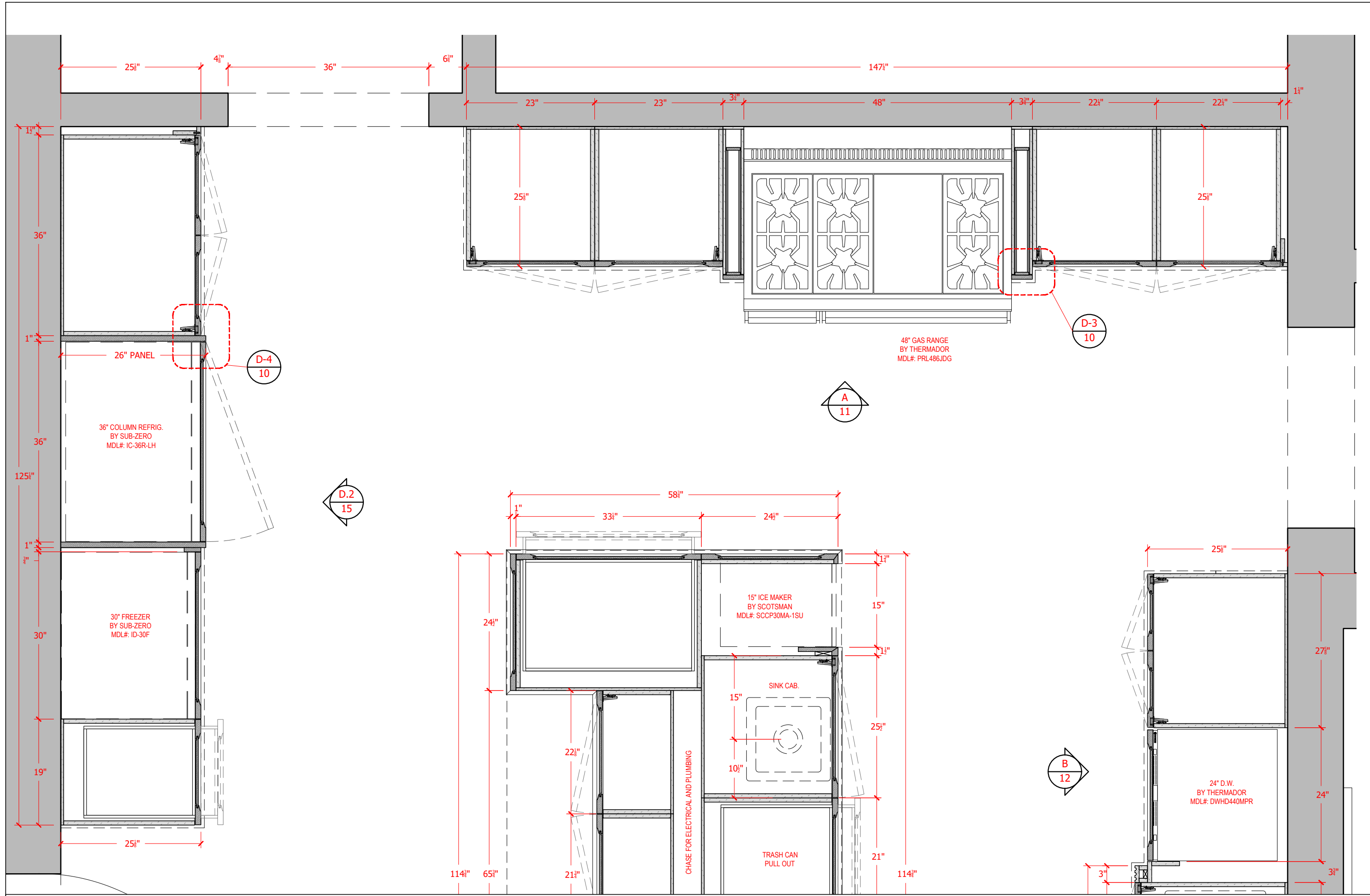
2 PLAN SECTION @ 72" A.F.F.  
Scale: 3/8" = 1'-0"

<b>REVISIONS:</b>	
By	Date
Description	
<b>SHEET NO: 03 OF 20</b>	
<b>NOTES:</b>	
PROJECT:	
ROOM:	KITCHEN 127
JOB NO.:	BUC-K



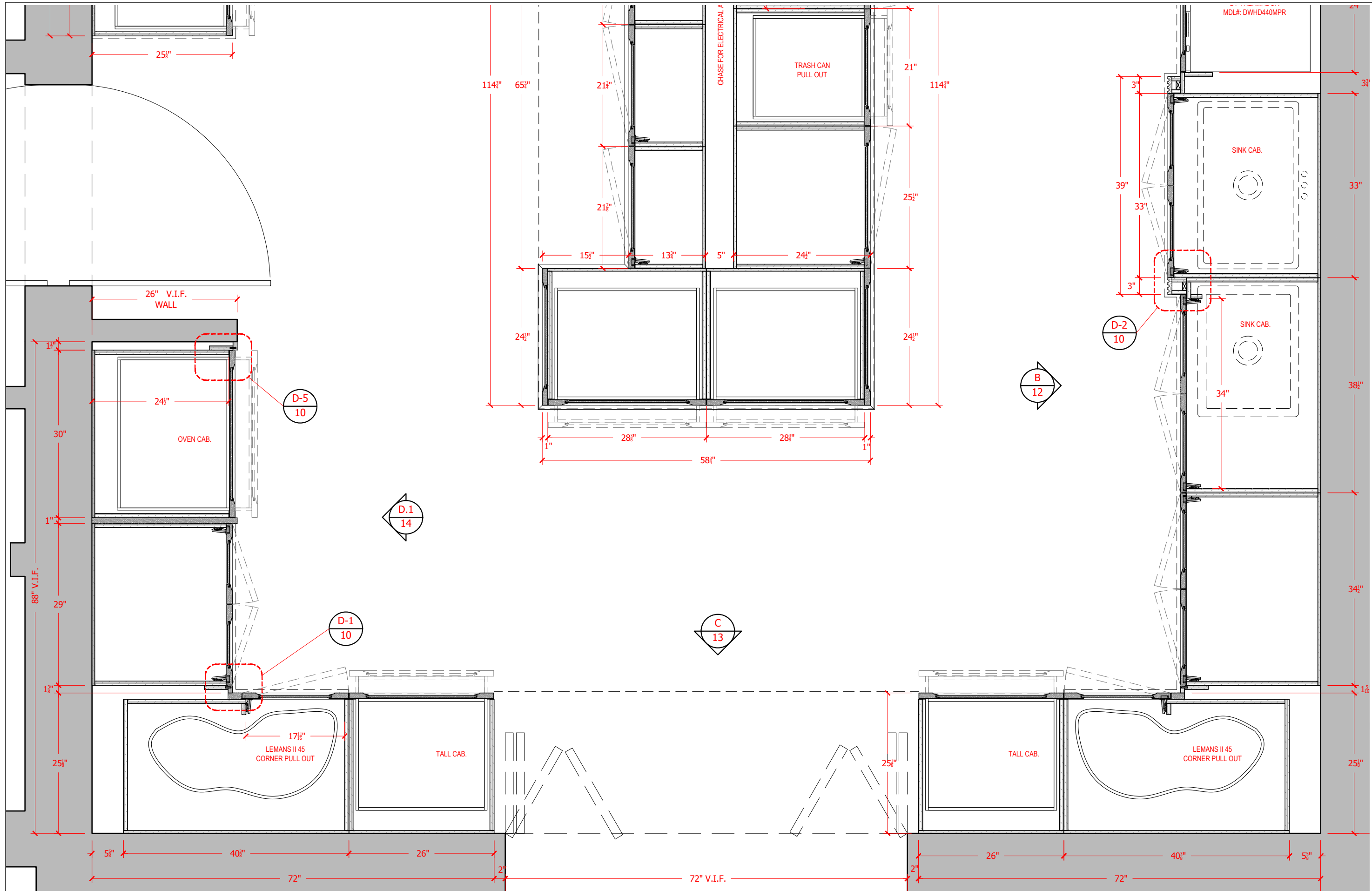
**3 PLAN SECTION @ 108" A.F.F.**  
Scale: 3/8" = 1'-0"

<b>REVISIONS:</b>	
By	No. Date Description
<b>SHEET NO: 04 OF 20</b>	
<b>NOTES:</b>	
<b>PROJECT:</b>	
<b>ROOM:</b>	KITCHEN 127
<b>JOB NO.:</b>	BUC-K



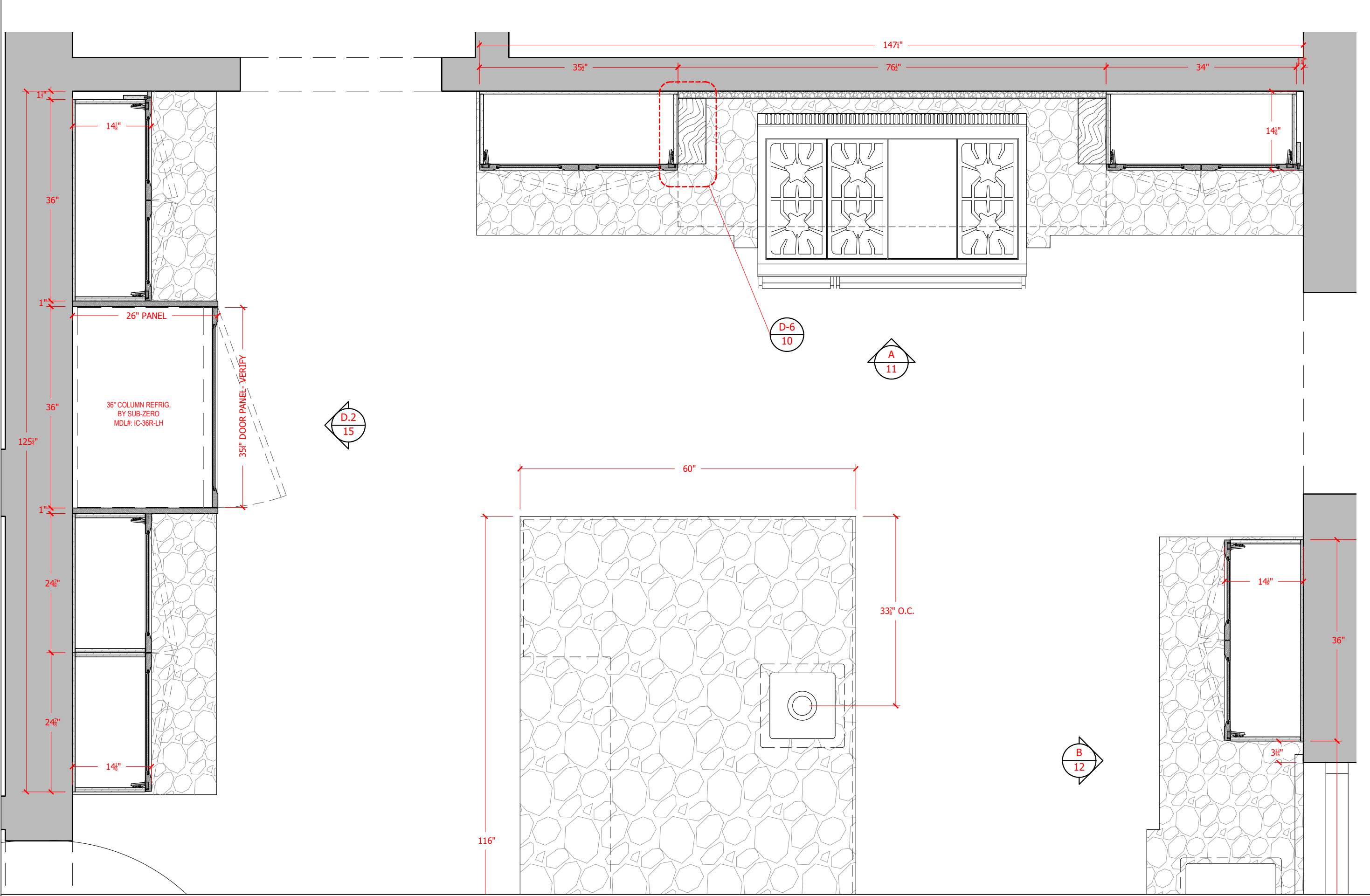
**4** ENLARGED PLAN SECTION @ 24" A.F.F. - NORTH  
 Scale: 3/4" = 1'-0"

<b>REVISIONS:</b>	
By	Date
Description	
<b>SHEET NO: 05 OF 20</b>	
<b>NOTES:</b>	
<b>PROJECT:</b>	
<b>ROOM:</b>	KITCHEN 127
<b>JOB NO.:</b>	BUC-K



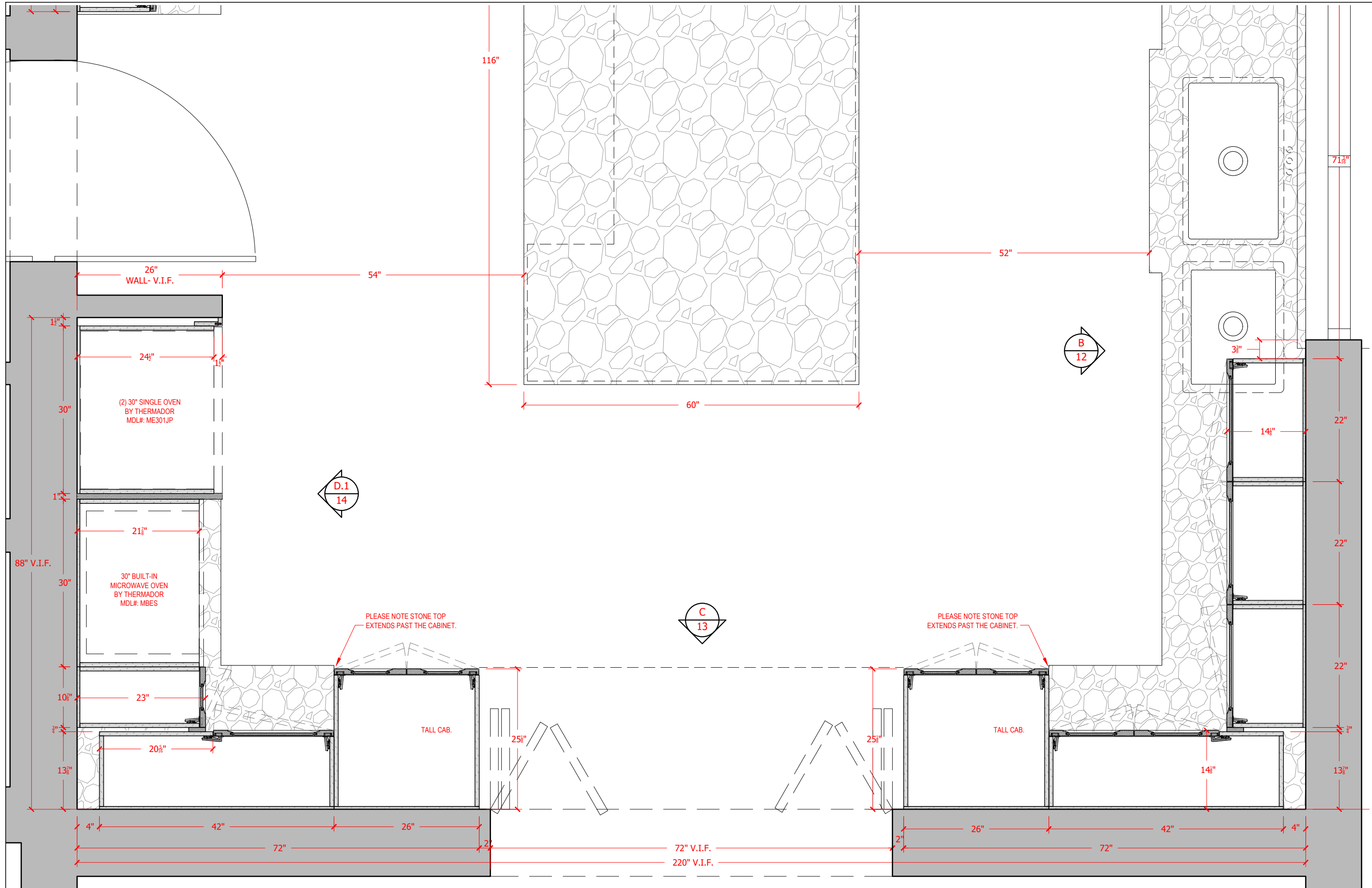
**5** ENLARGED PLAN SECTION @ 24" A.F.F.- SOUTH  
 Scale: 3/4" = 1'-0"

<b>REVISIONS:</b>	
By	Date
Description	
<b>SHEET NO: 06 OF 20</b>	
<b>NOTES:</b>	
<b>PROJECT:</b>	
<b>ROOM:</b>	KITCHEN 127
<b>JOB NO.:</b>	BUC-K



**6** ENLARGED PLAN SECTION @ 72" A.F.F.- NORTH  
 Scale: 3/4" = 1'-0"

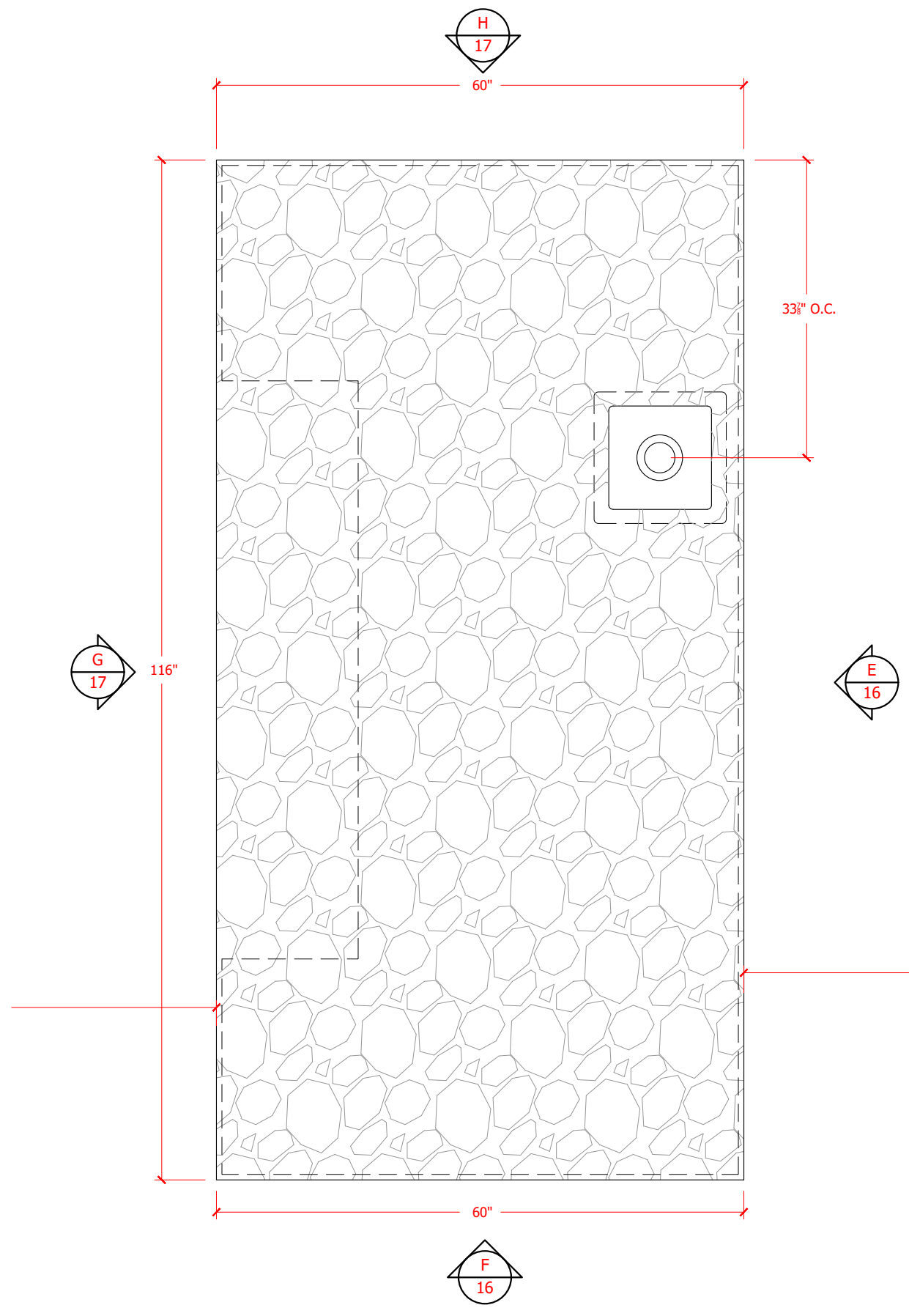
<b>REVISIONS:</b>	
By	Date
Description	
<b>SHEET NO: 07 OF 20</b>	
<b>NOTES:</b>	
<b>PROJECT:</b>	
<b>ROOM:</b>	KITCHEN 127
<b>JOB NO.:</b>	BUC-K



7 ENLARGED PLAN SECTION @ 72" A.F.F.- SOUTH  
 Scale: 3/4" = 1'-0"

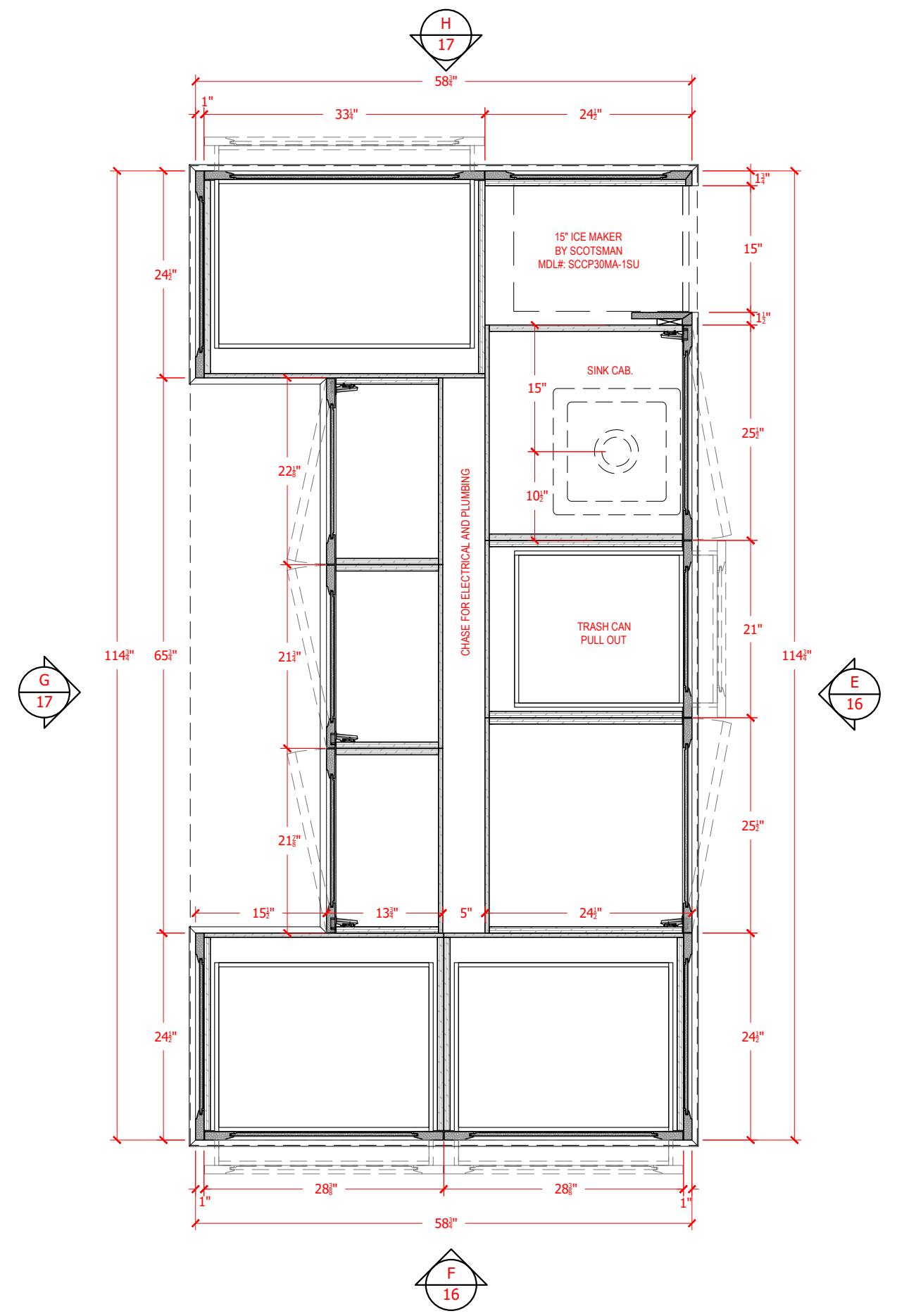
<b>REVISIONS:</b>	
By	Date
Description	
<b>SHEET NO: 08 OF 20</b>	
<b>NOTES:</b>	
<b>PROJECT:</b>	
<b>ROOM:</b>	KITCHEN 127
<b>JOB NO.:</b>	BUC-K





7 PLAN VIEW- ISLAND

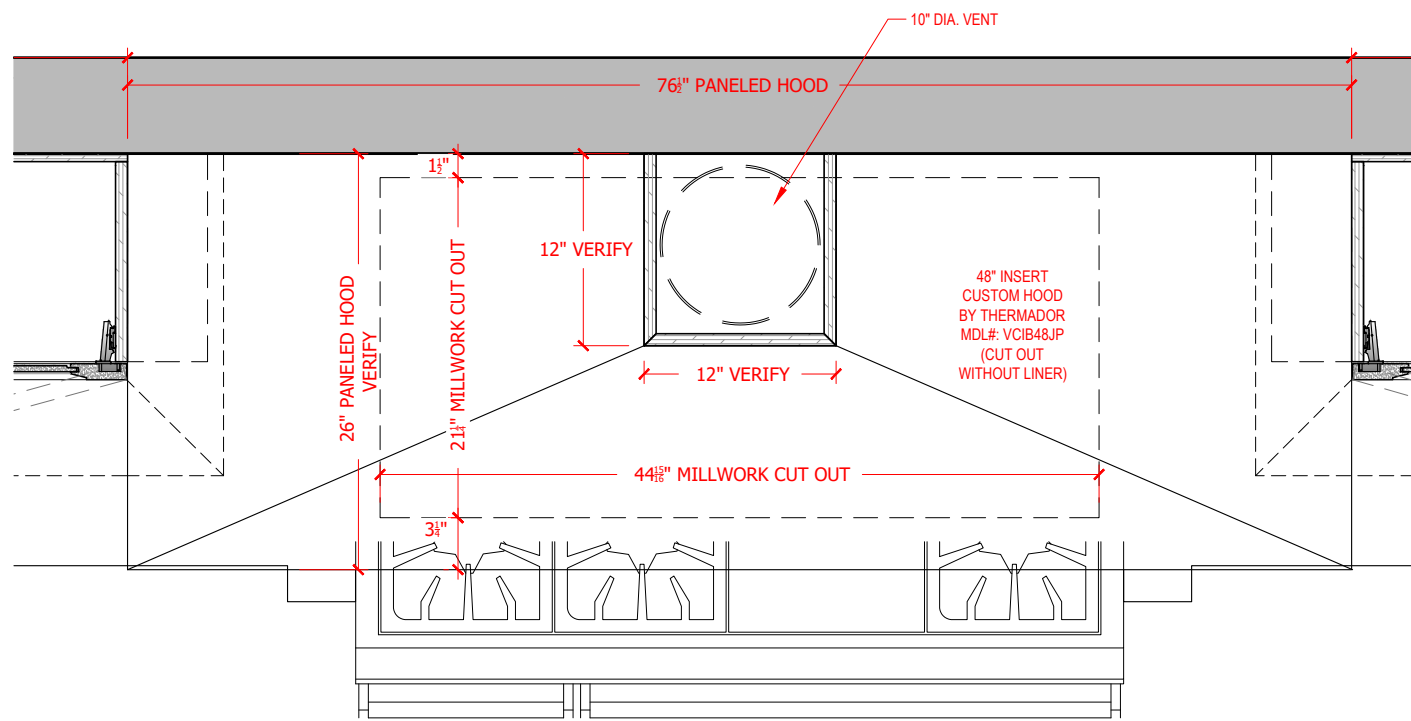
Scale: 3/4" = 1'-0"



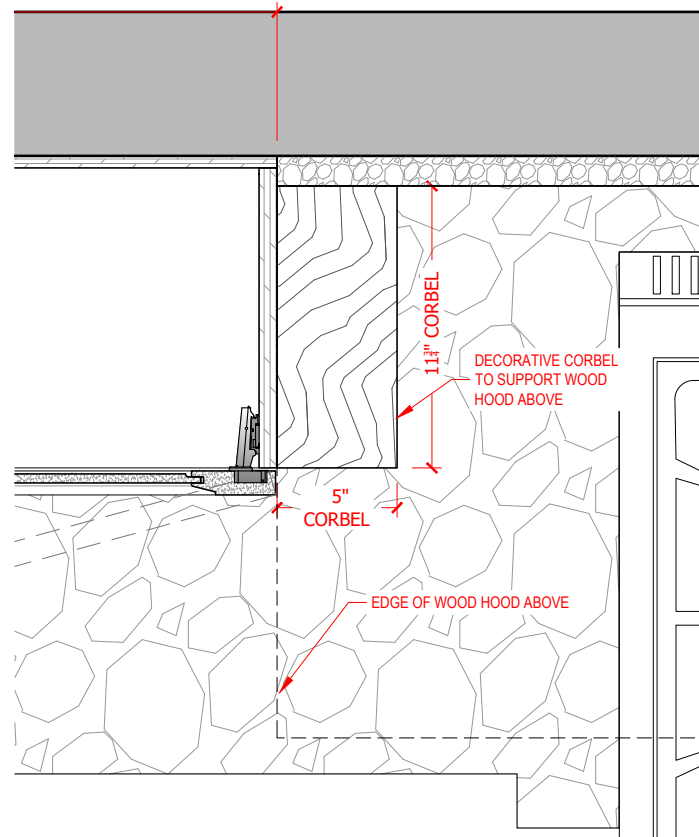
6 PLAN SECTION @ 24" A.F.F.- ISLAND

Scale: 3/4" = 1'-0"

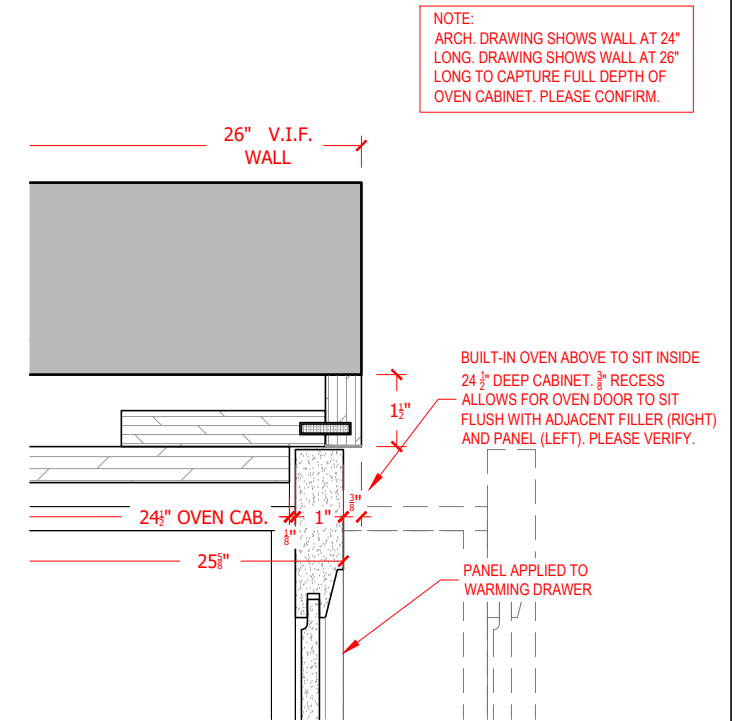
PROJECT: KITCHEN 127	REVISIONS:	Description
	By No. Date	
ROOM: KITCHEN 127	SHEET NO: 09 OF 20	
JOB NO.: BUC-K	NOTES:	



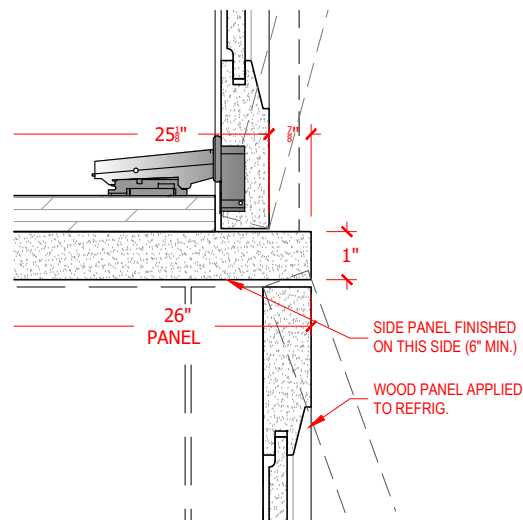
**D-7 ENLARGED DETAIL- HOOD**  
Scale: 3" = 1'-0"



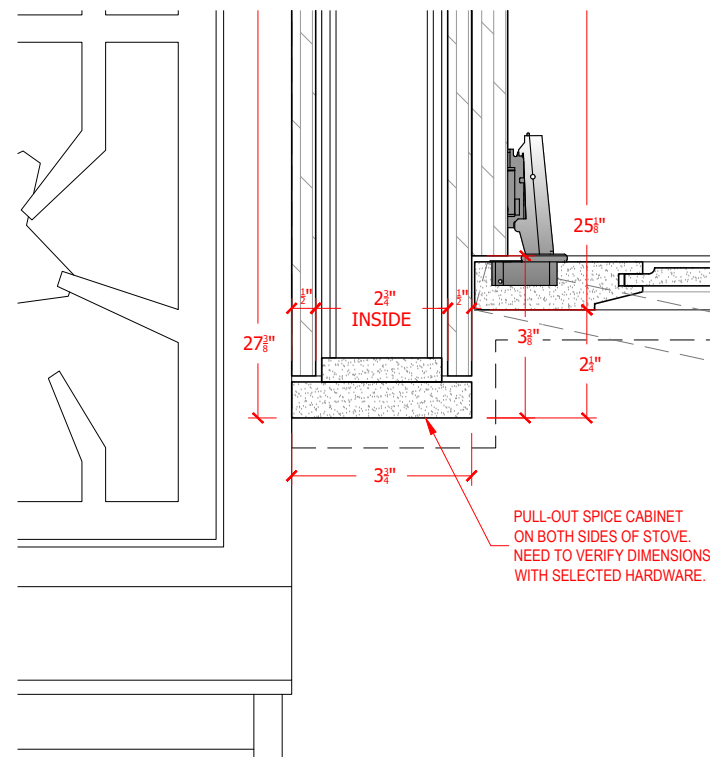
**D-6 ENLARGED DETAIL- CORBEL**  
Scale: 1-1/2" = 1'-0"



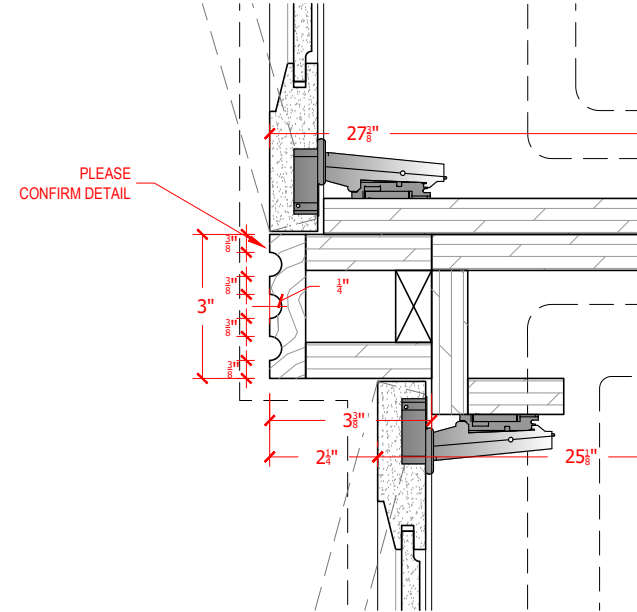
**D-5 ENLARGED DETAIL- OVEN**  
Scale: 3" = 1'-0"



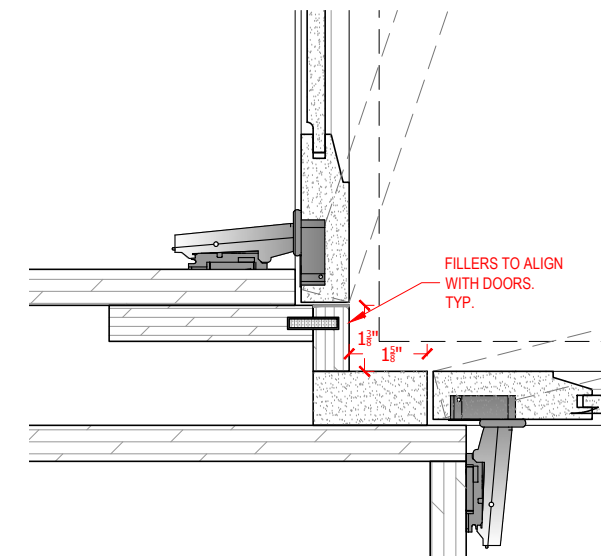
**D-4 ENLARGED DETAIL- REFRIG.**  
Scale: 3" = 1'-0"



**D-3 ENLARGED DETAIL- SPICE CAB.**  
Scale: 3" = 1'-0"



**D-2 ENLARGED DETAIL- SINK CAB.**  
Scale: 3" = 1'-0"



**D-1 ENLARGED DETAIL- FILLERS**  
Scale: 3" = 1'-0"

NOTES:

PROJECT:

ROOM:  
KITCHEN 127

JOB NO.:  
BUC-K

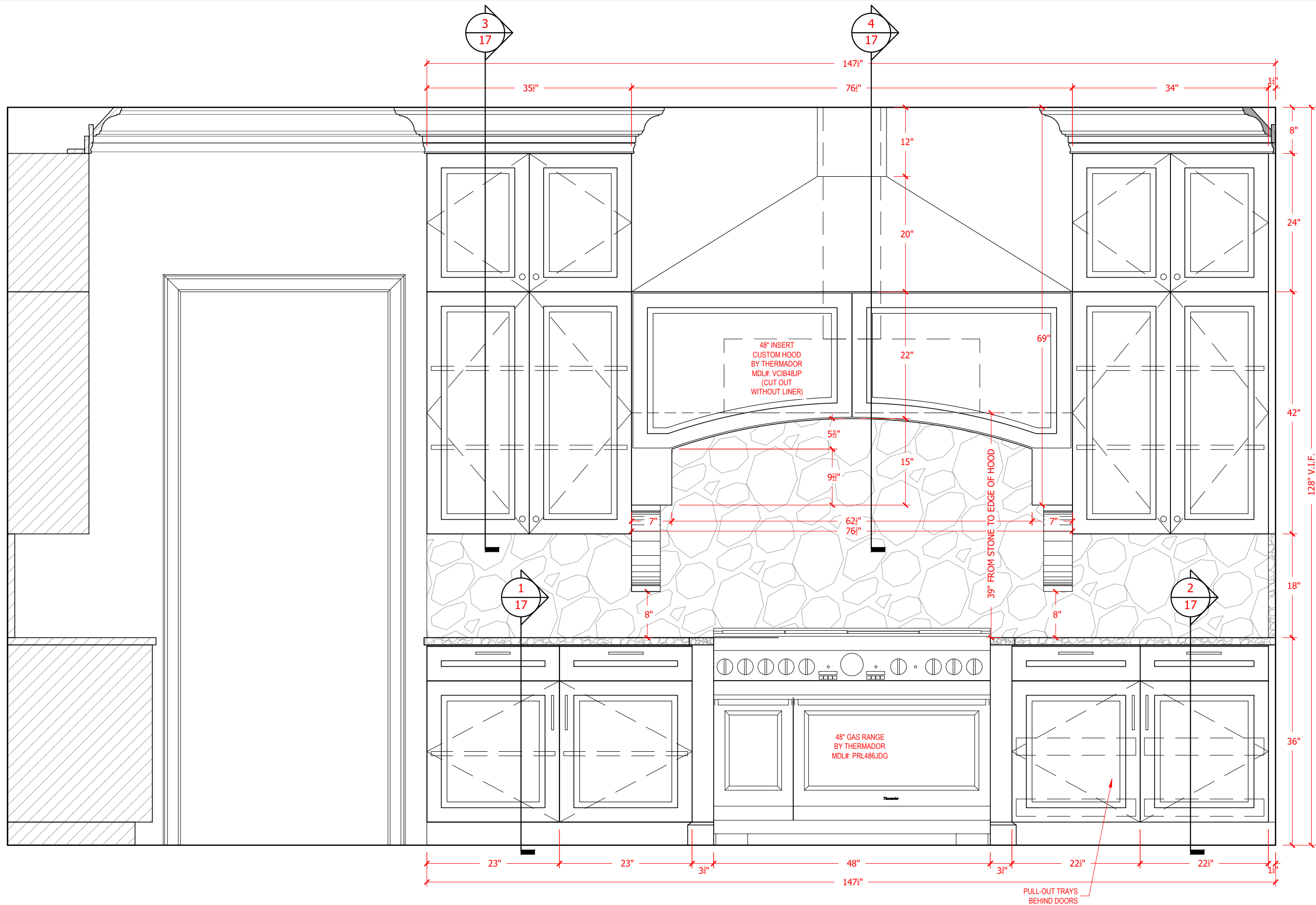
REVISIONS:

By No. Date

Description

SHEET NO:

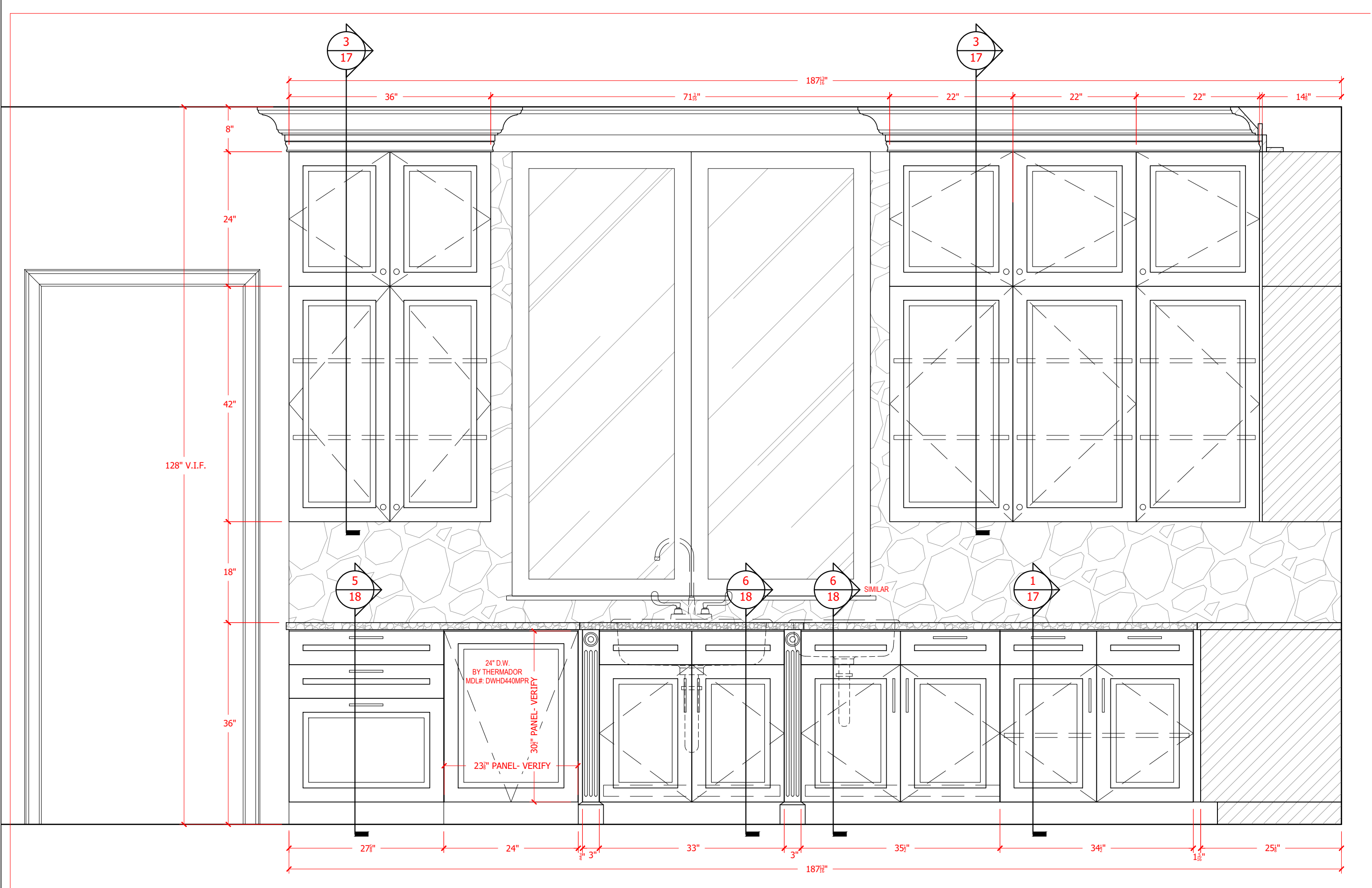
10 OF 20



**A** ELEVATION- NORTH

Scale: 3/4" = 1'-0"

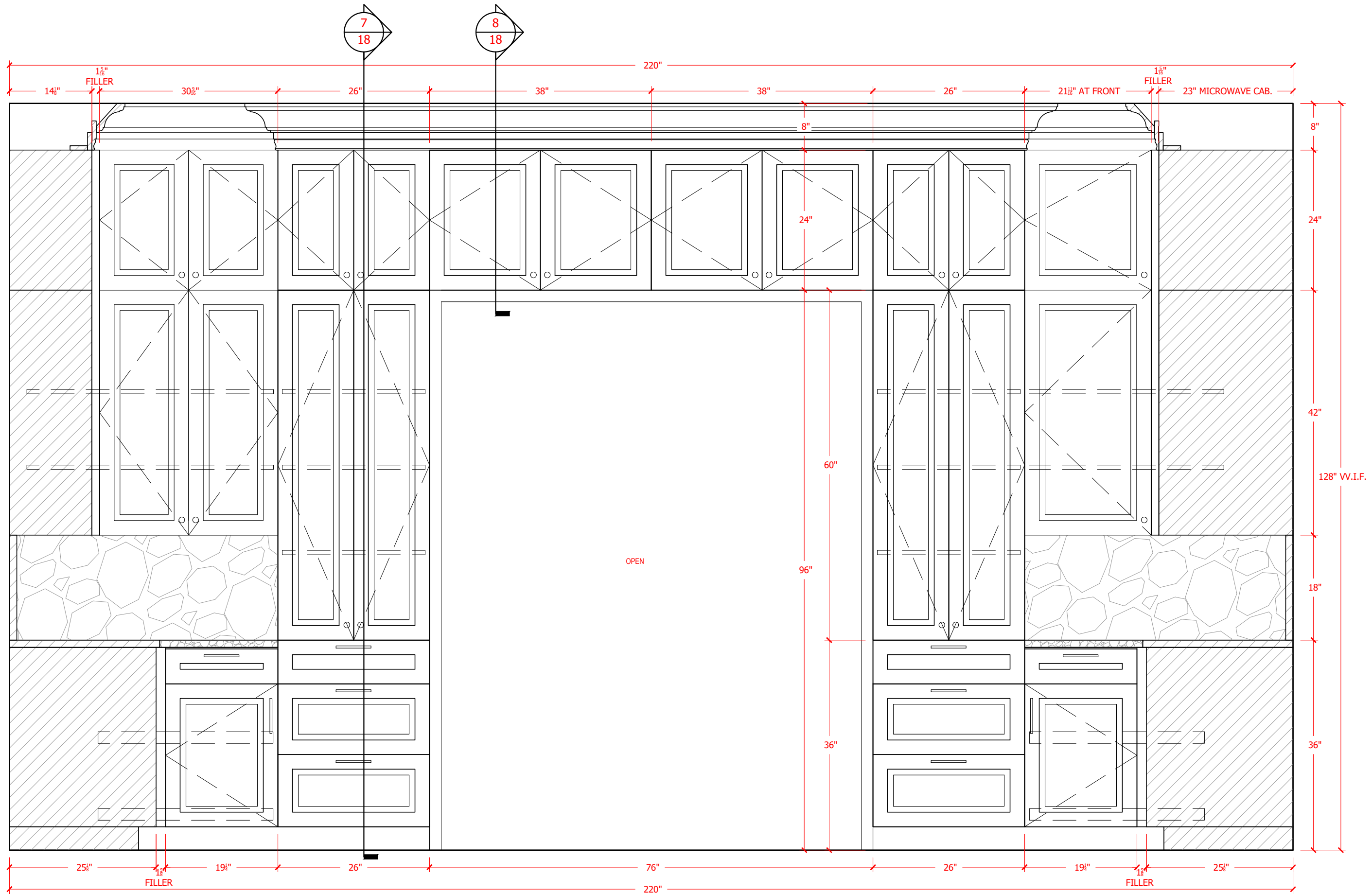
<b>PROJECT:</b>			
<b>ROOM:</b>	KITCHEN 127		
<b>JOB NO.:</b>	BUC-K		
<b>NOTES:</b>			
<b>SHEET NO.:</b>	<b>11 OF 20</b>		
<b>REVISIONS:</b>			
By	No.	Date	Description



**B** ELEVATION- EAST

Scale: 3/4" = 1'-0"

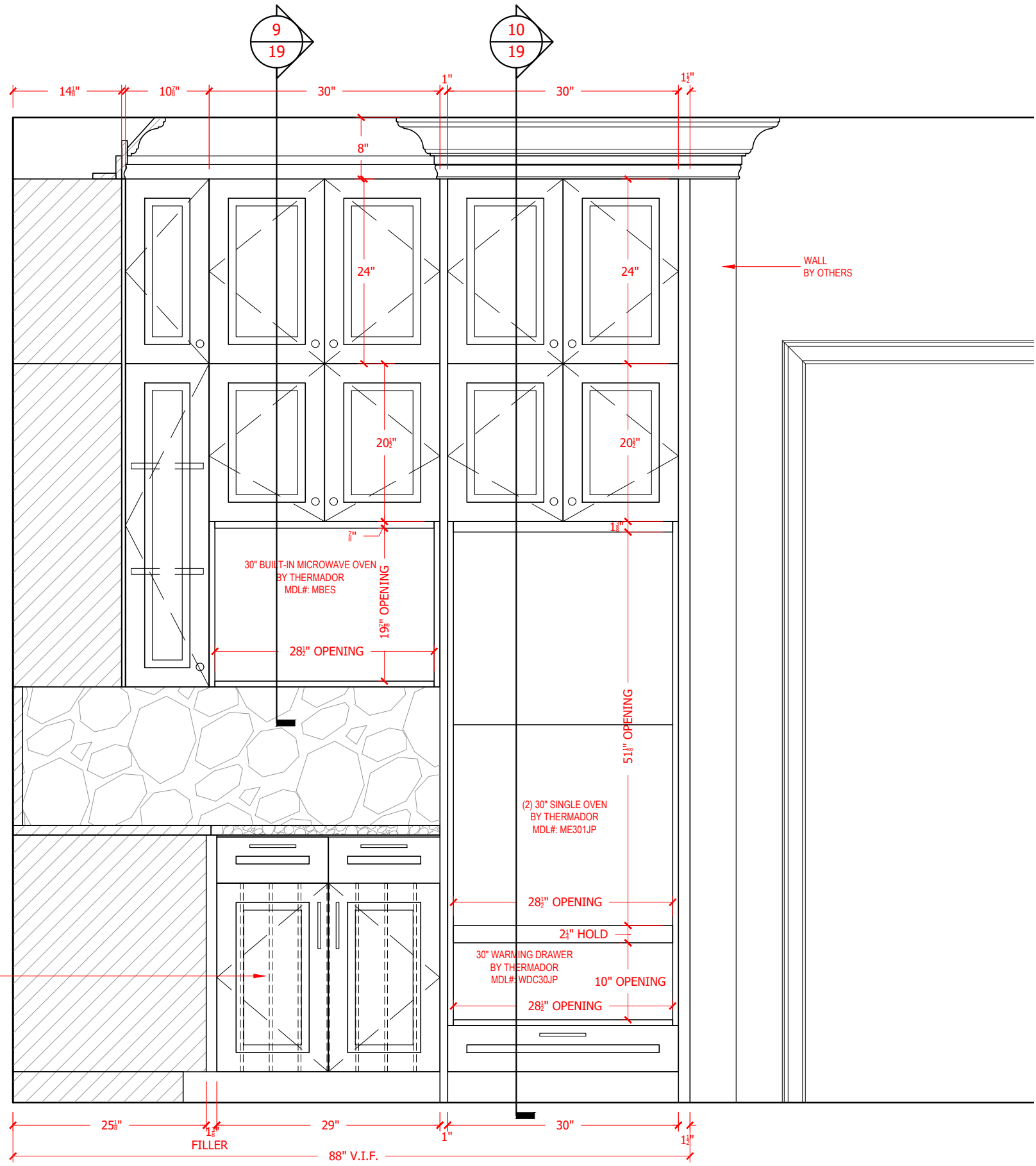
<b>REVISIONS:</b>	
By	Date
Description	
<b>SHEET NO:</b>	
<b>12 OF 20</b>	
<b>NOTES:</b>	
PROJECT: _____	
ROOM: KITCHEN 127	
JOB NO.: BUC-K	



**C** ELEVATION- SOUTH

Scale: 3/4" = 1'-0"

<b>REVISIONS:</b>	
By	Date
Description	
<b>SHEET NO:</b>	
<b>13 OF 20</b>	
<b>NOTES:</b>	
<b>PROJECT:</b>	
<b>ROOM:</b>	KITCHEN 127
<b>JOB NO.:</b>	BUC-K



1/8" THICK VERTICAL DIVIDERS IN BASE CABINET FOR TRAY STORAGE. (8) EQUAL SPACES. APPROX 3" WIDE EA.

**D.1** ELEVATION- WEST

Scale: 3/4" = 1'-0"

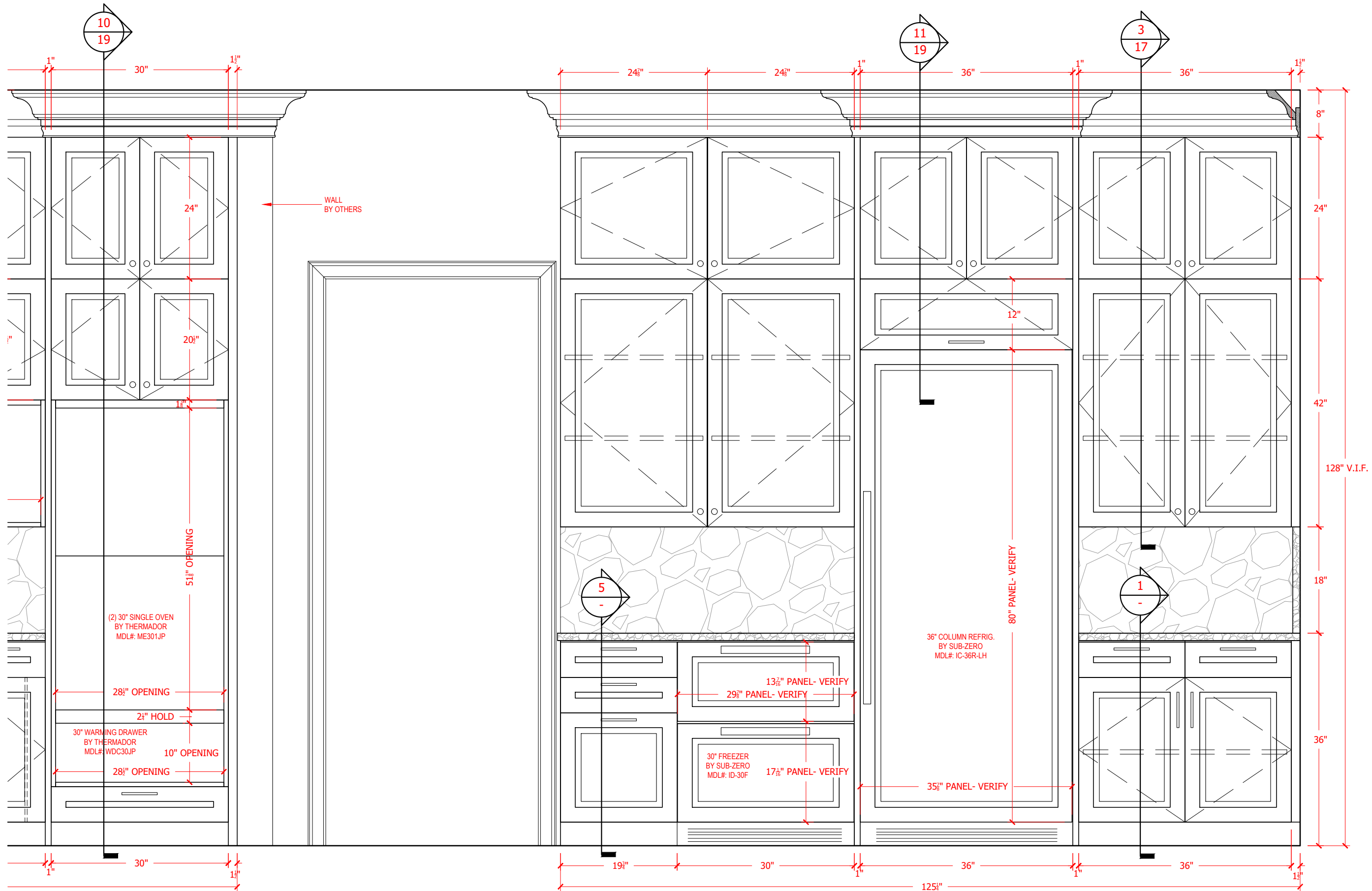
REVISIONS:  
By No. Date

SHEET NO:  
**14 OF 20**

NOTES:

PROJECT: \_\_\_\_\_  
ROOM: KITCHEN 127  
JOB NO.: BUC-K

Description



**D.2** ELEVATION- WEST

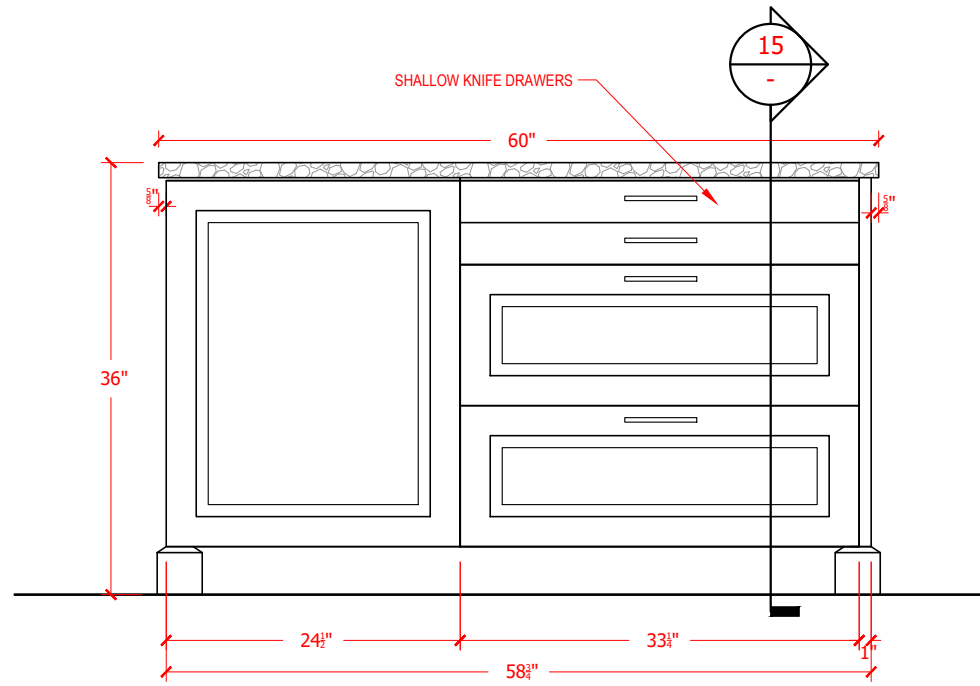
Scale: 3/4" = 1'-0"

REVISIONS:  
By No. Date Description

SHEET NO:  
**15 OF 20**

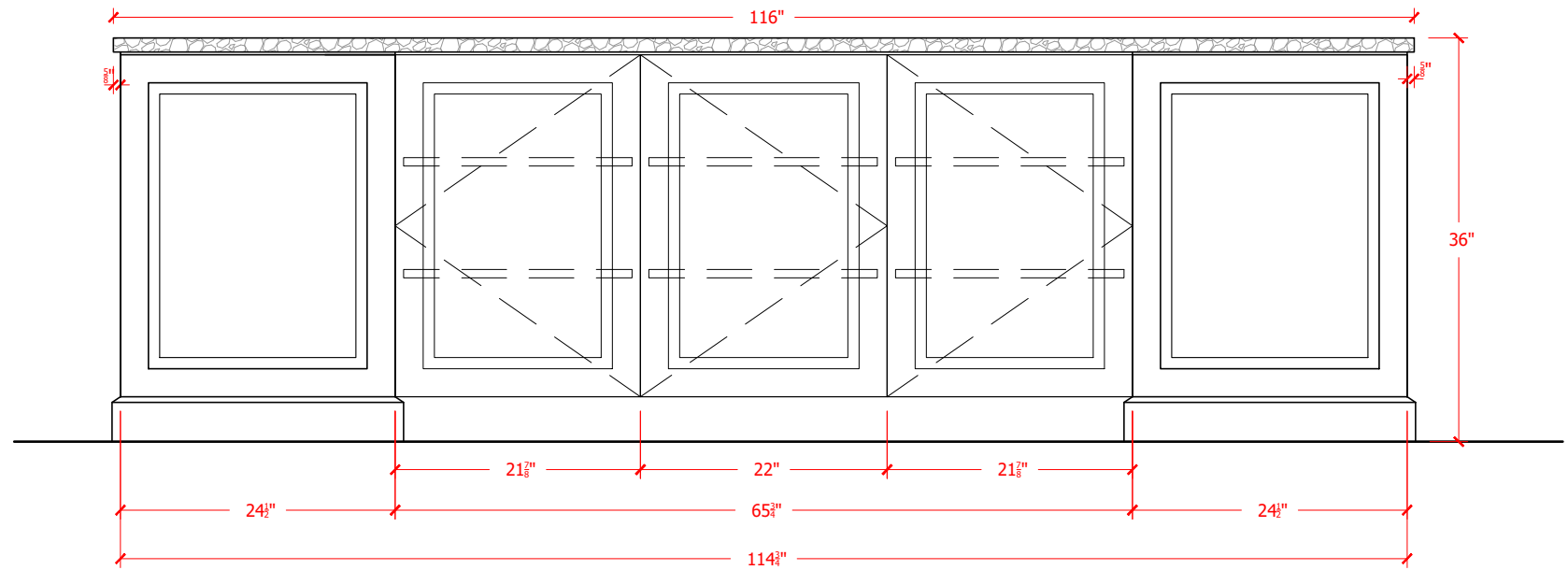
NOTES:

PROJECT: \_\_\_\_\_  
ROOM: KITCHEN 127  
JOB NO.: BUC-K



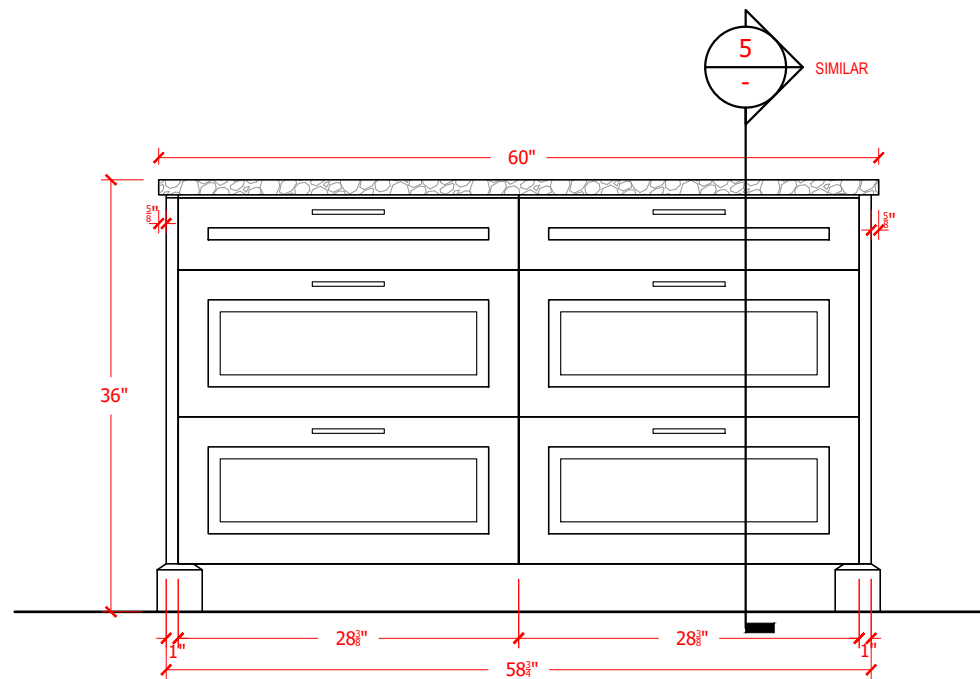
**H** ELEVATION- SOUTH

Scale: 3/4" = 1'-0"



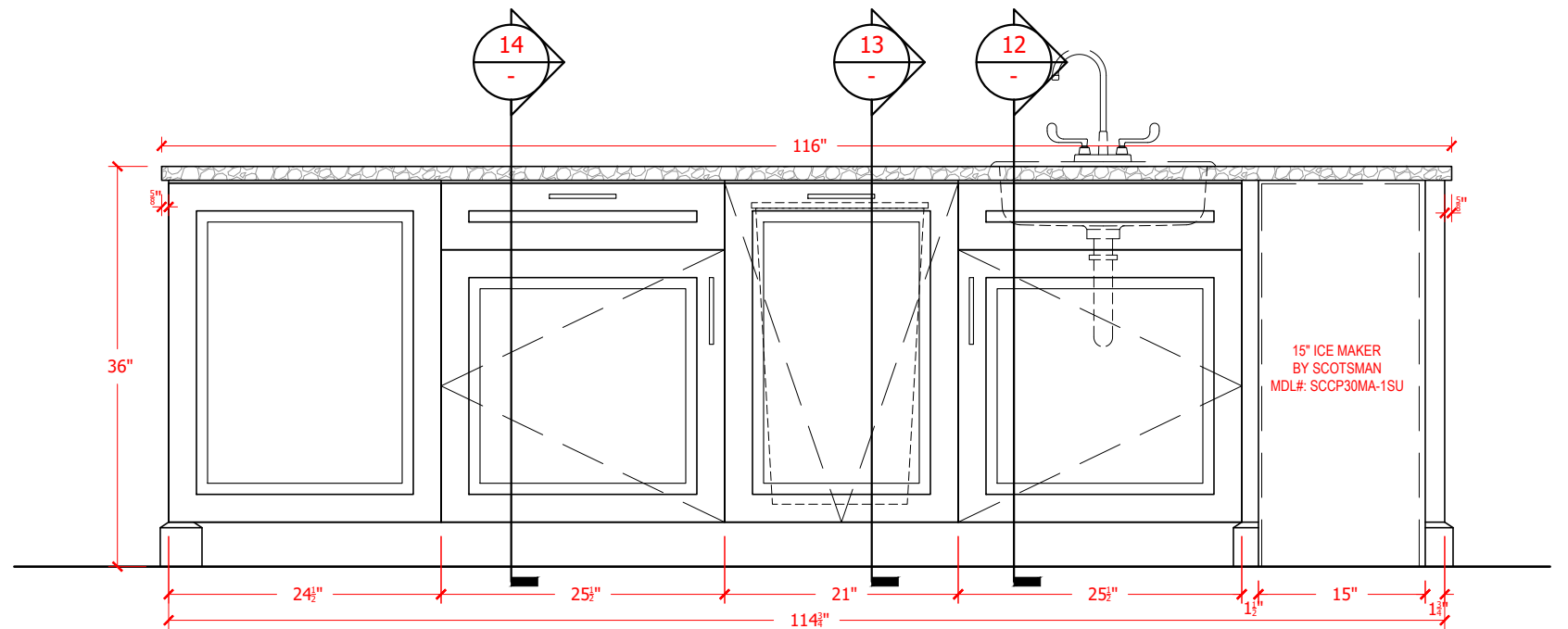
**G** ELEVATION- EAST

Scale: 3/4" = 1'-0"



**F** ELEVATION- NORTH

Scale: 3/4" = 1'-0"



**E** ELEVATION- WEST

Scale: 3/4" = 1'-0"

**NOTES:**

PROJECT: \_\_\_\_\_

ROOM: KITCHEN 127

JOB NO.: BUC-K

**REVISIONS:**

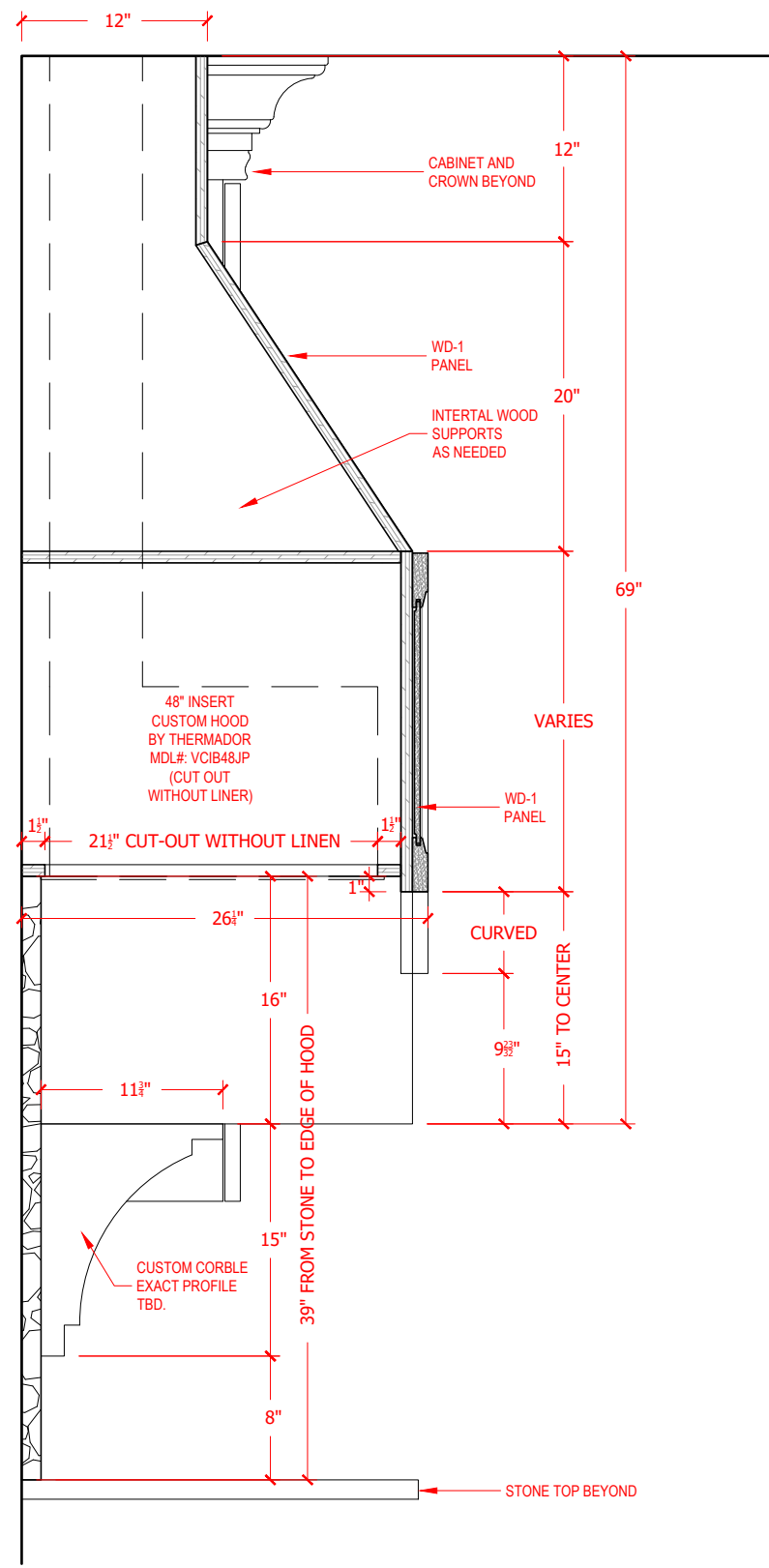
By No. Date

Description

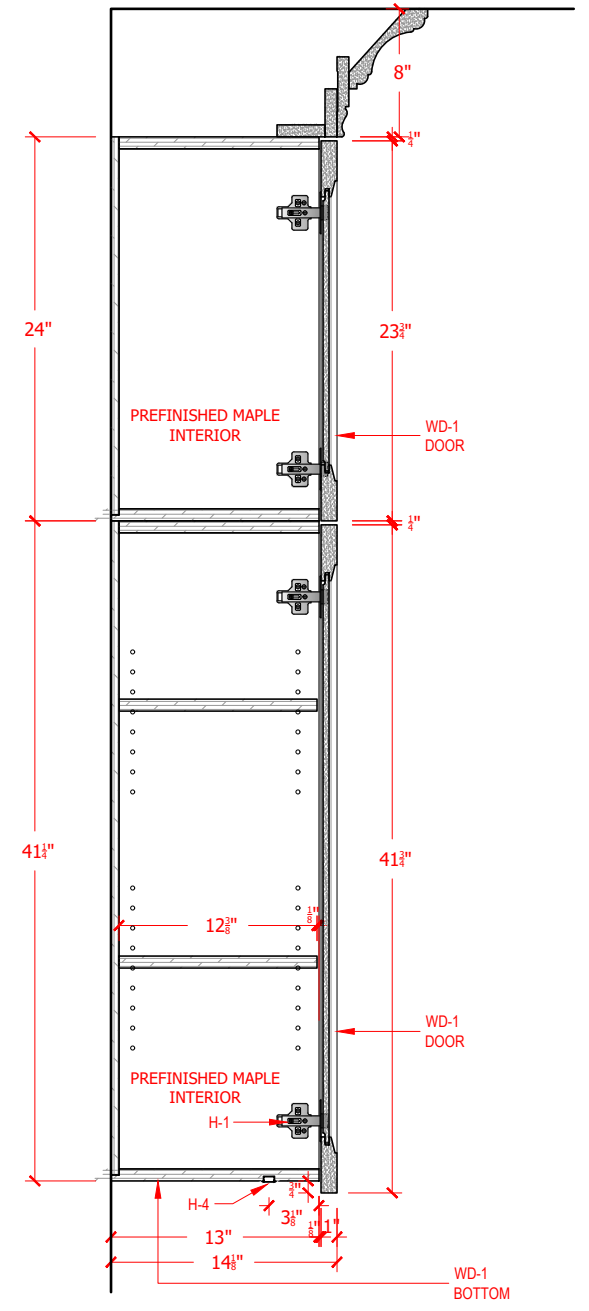
SHEET NO:

**16 OF 20**

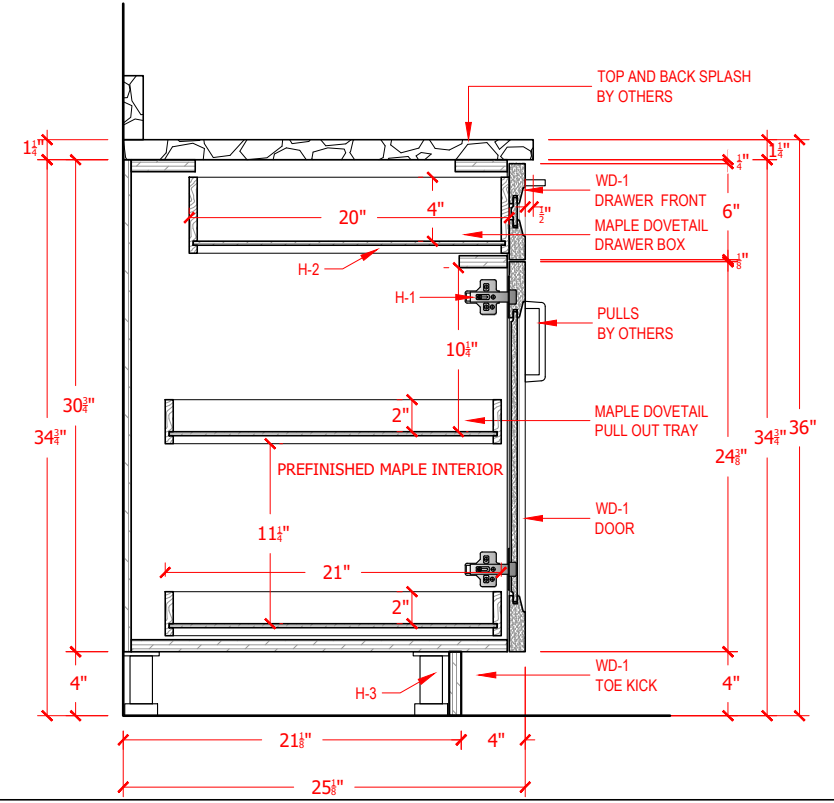




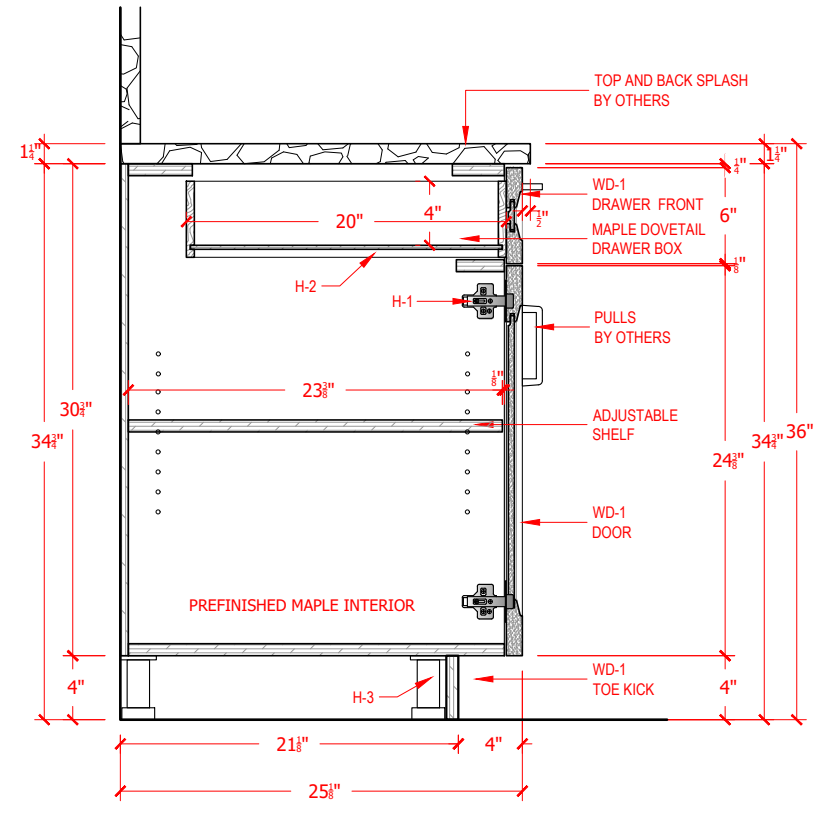
**4** SECTION - HOOD  
Scale: 1" = 1'-0"



**3** SECTION- TYP. WALL CAB.  
Scale: 1" = 1'-0"

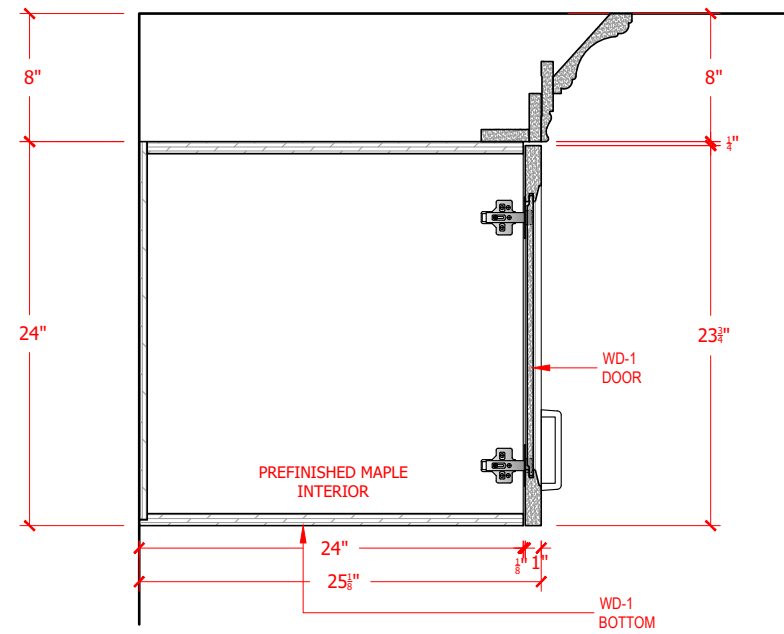


**2** SECTION- BASE W/ PULL-OUTS  
Scale: 3/4" = 1'-0"



**1** SECTION- BASE CAB.  
Scale: 1" = 1'-0"

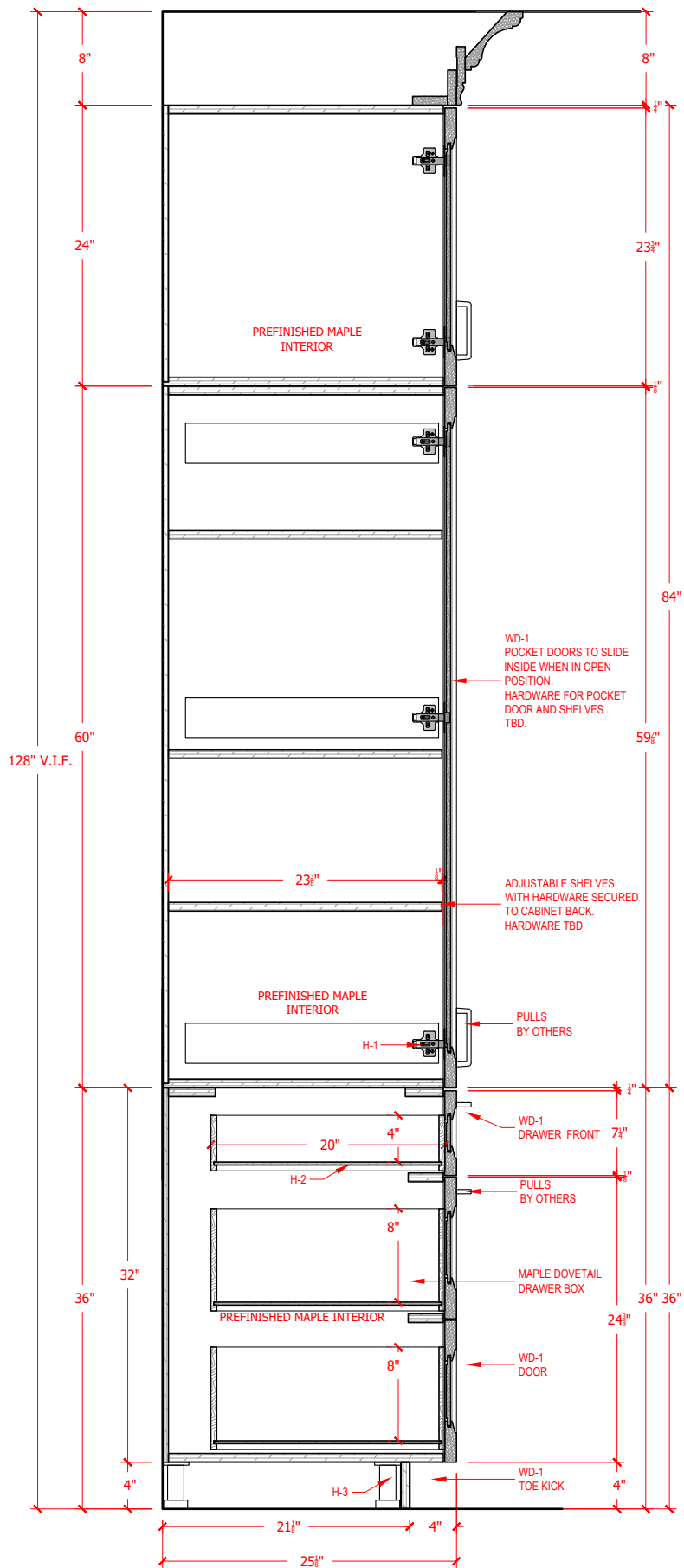
REVISIONS:		By	No.	Date	Description
SHEET NO:		<b>17 OF 20</b>			
PROJECT:	KITCHEN 127				
ROOM:	KITCHEN 127				
JOB NO.:	BUC-K				
NOTES:					



8

SECTION - WALL CAB.

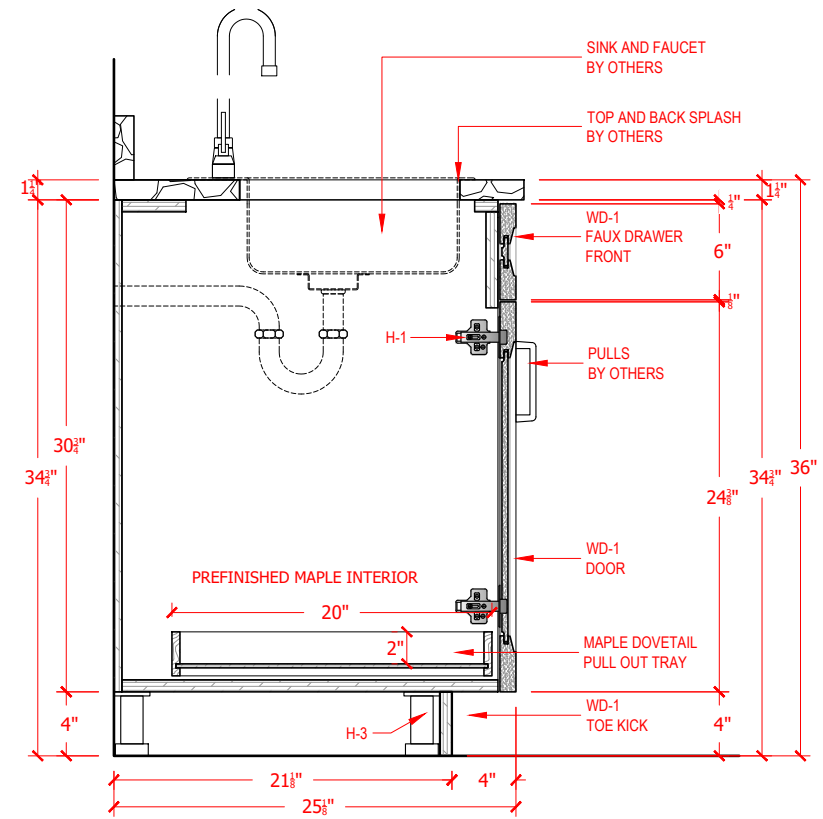
Scale: 1" = 1'-0"



7

SECTION- TALL CAB.

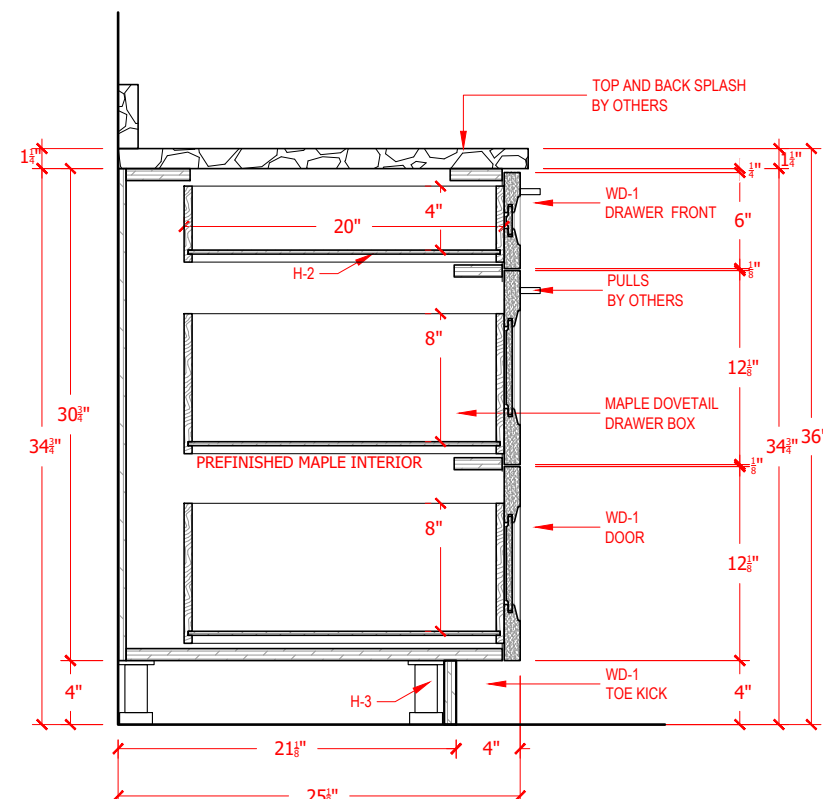
Scale: N.T.S.



6

SECTION- SINK CAB.

Scale: 3/4" = 1'-0"



5

SECTION- DRAWER CAB.

Scale: 1" = 1'-0"

NOTES:

PROJECT:

ROOM:  
KITCHEN 127

JOB NO.:  
BUC-K

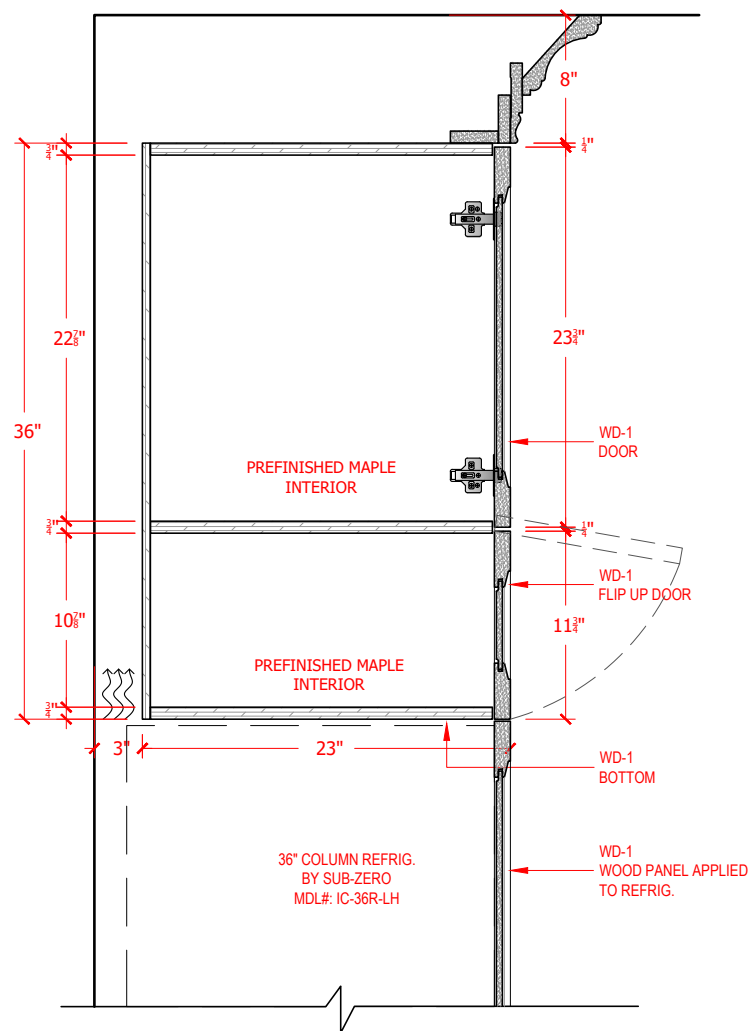
REVISIONS:

By No. Date

Description

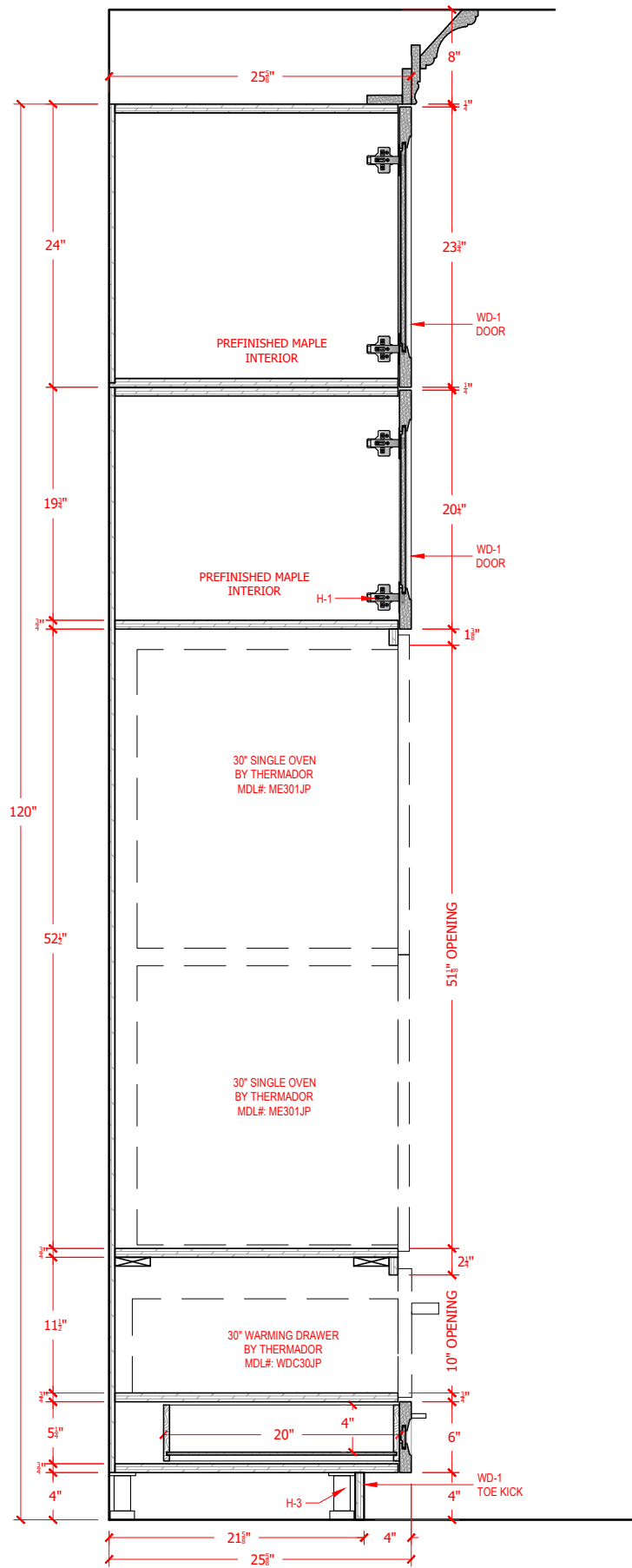
SHEET NO:

18 OF 20



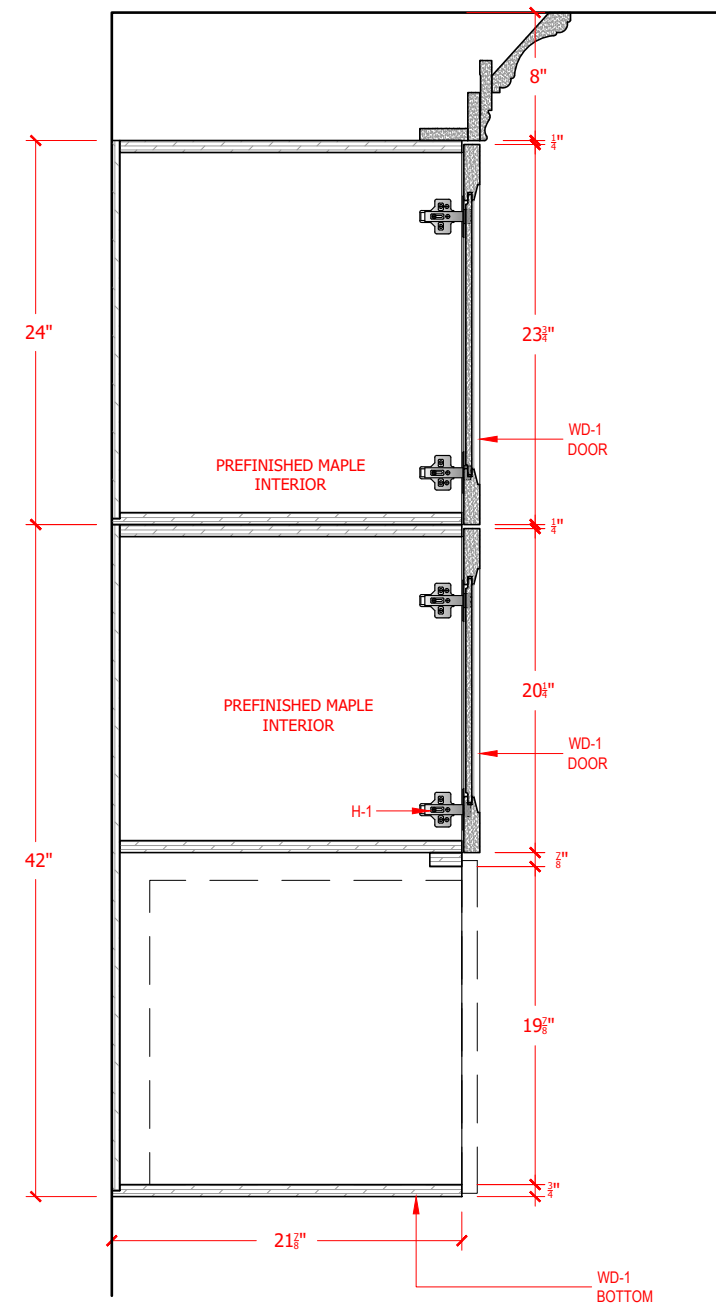
11 SECTION - REFRIG. CAB.

Scale: 1" = 1'-0"



10 SECTION- OVEN CAB.

Scale: N.T.S.



9 SECTION- MICROWAVE CAB.

Scale: 1" = 1'-0"

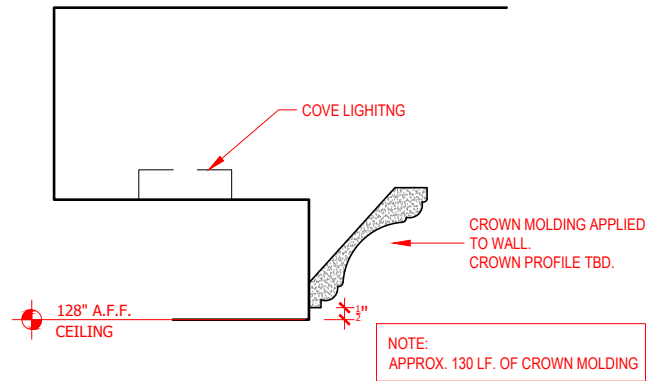
NOTES:

PROJECT: \_\_\_\_\_  
 ROOM: KITCHEN 127  
 JOB NO.: BUC-K

REVISIONS:

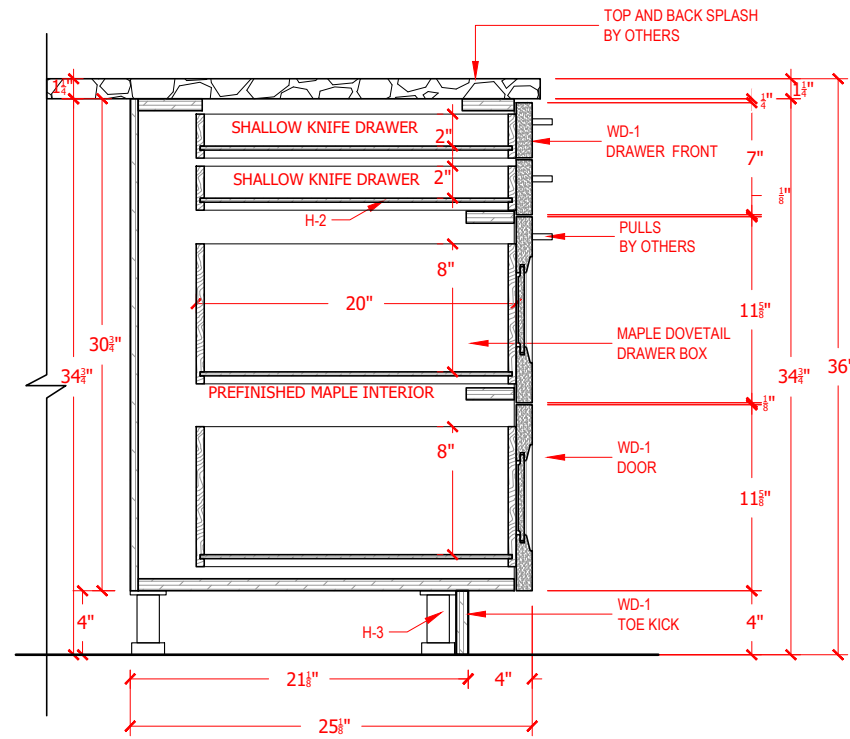
By No. Date Description

SHEET NO: 19 OF 20



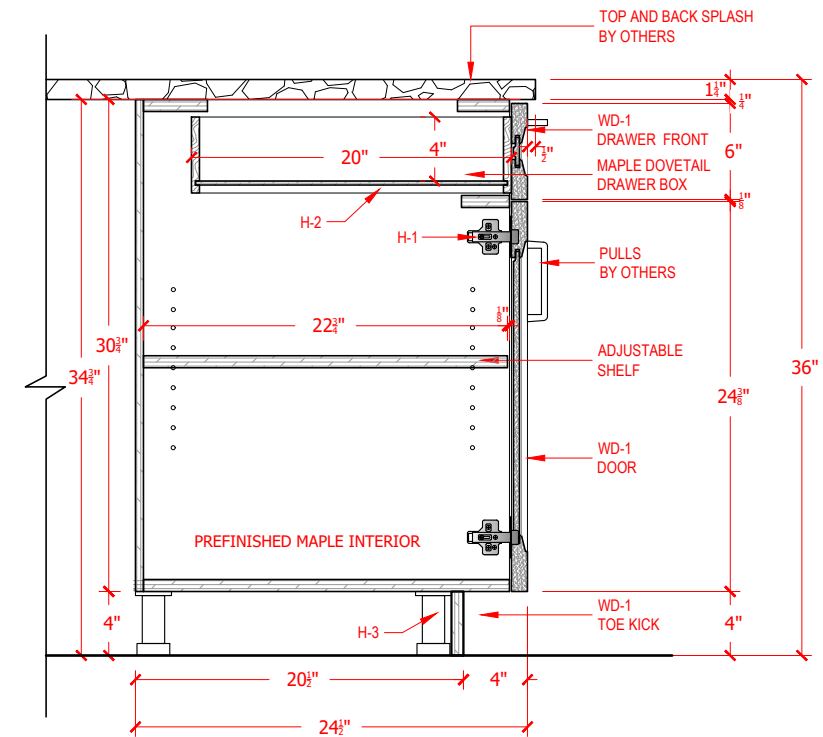
16 SECTION- CEILING DETAIL

Scale: 1" = 1'-0"



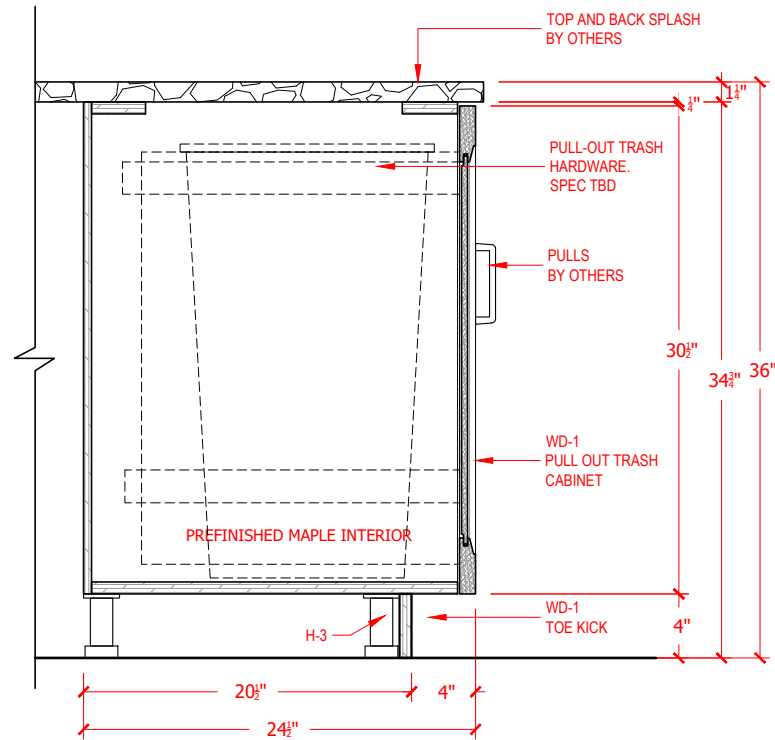
15 SECTION- KNIFE DRAWER CAB.

Scale: 1" = 1'-0"



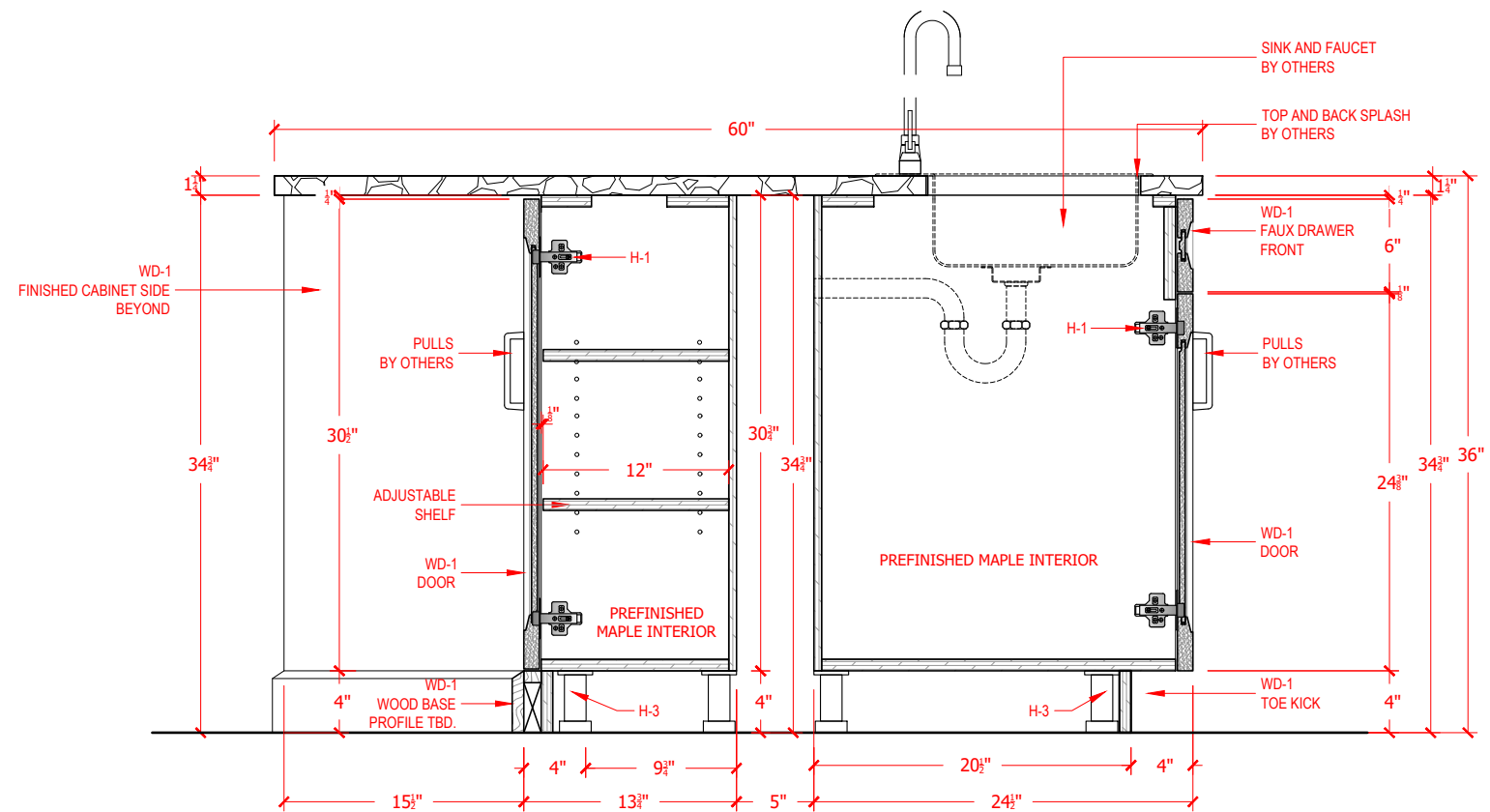
14 SECTION- ISLAND BASE CAB.

Scale: 1" = 1'-0"



13 SECTION - PULL-OUT TRASH CAB.

Scale: 1" = 1'-0"



12 SECTION- ISLAND SINK CAB.

Scale: 1" = 1'-0"

REVISIONS:

By No. Date

Description

SHEET NO:

20 OF 20

NOTES:

PROJECT:

ROOM: KITCHEN 127

JOB NO.: BUC-K