

1 FLOOR PLAN - FLOOR PLAN
 KP SCALE: 1/4" = 1'-0" ARCH. REF: 1/A2.0

PROJECT:

ARCHITECT / DESIGNER:

CONTRACTOR:

LOCATION

FLOOR PLAN

ITEM

KEY PLAN

PROJECT MANAGER: XXX

DRAWN BY: HD

SCALE: AS NOTED

DATE DRAWN: 07/09/2020

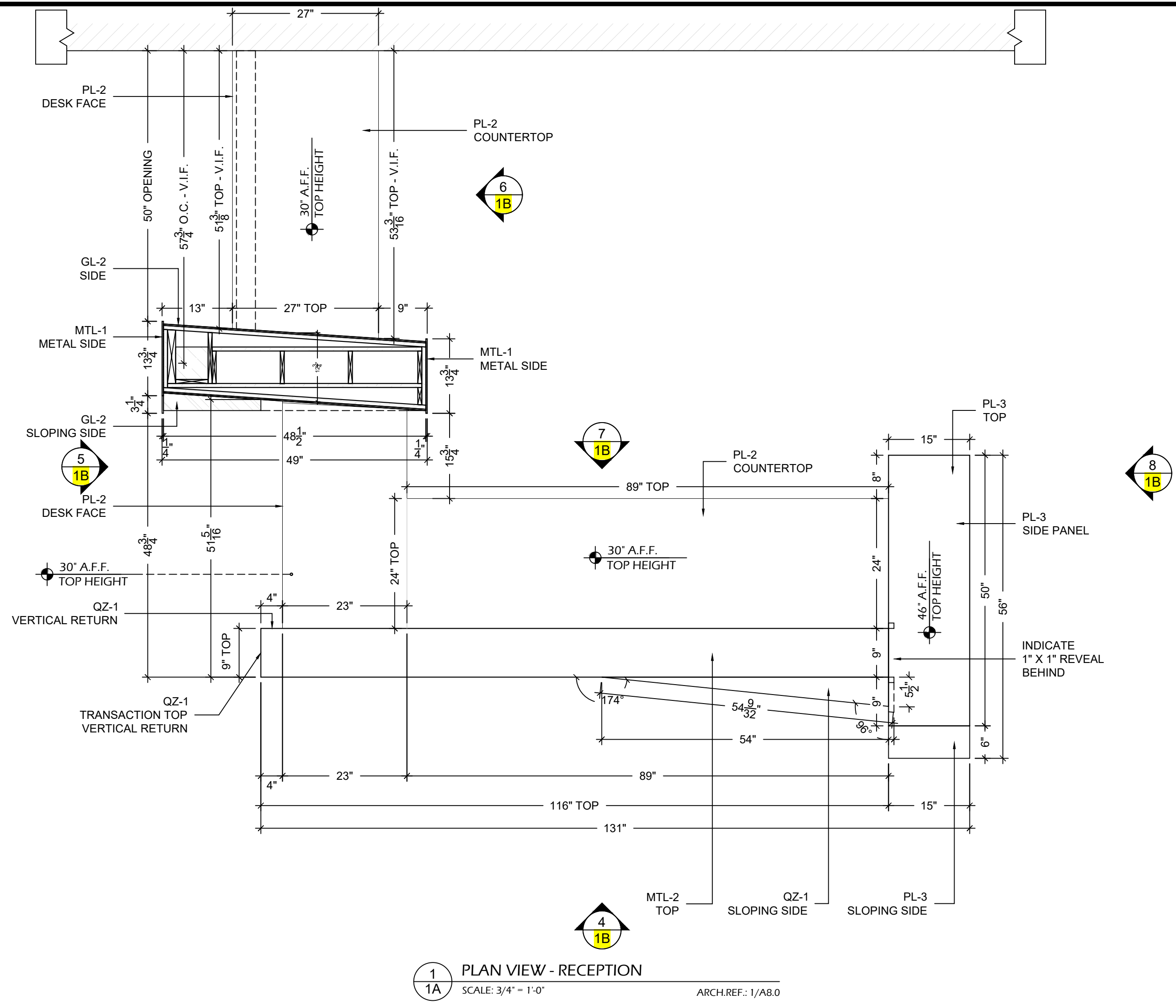
REVISIONS: #1: 10/08/2020

JOB NUMBER: XXX

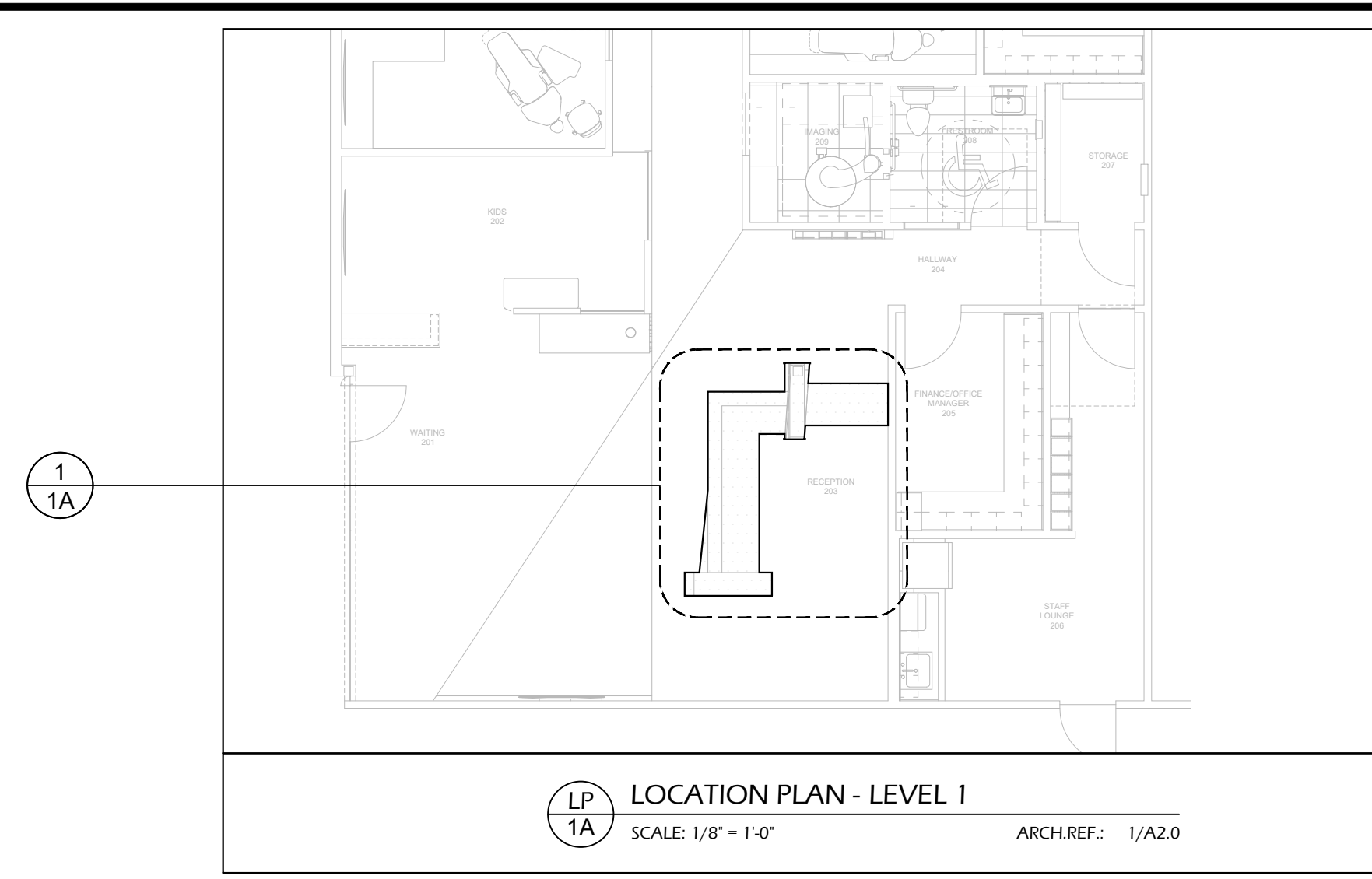
#2:
#3:
#4:
#5:
#6:
#7:
#8:

SHEET NUMBER:

KP



1 PLAN VIEW - RECEPTION
SCALE: 3/4" = 1'-0"
ARCH.REF: 1/AB.0



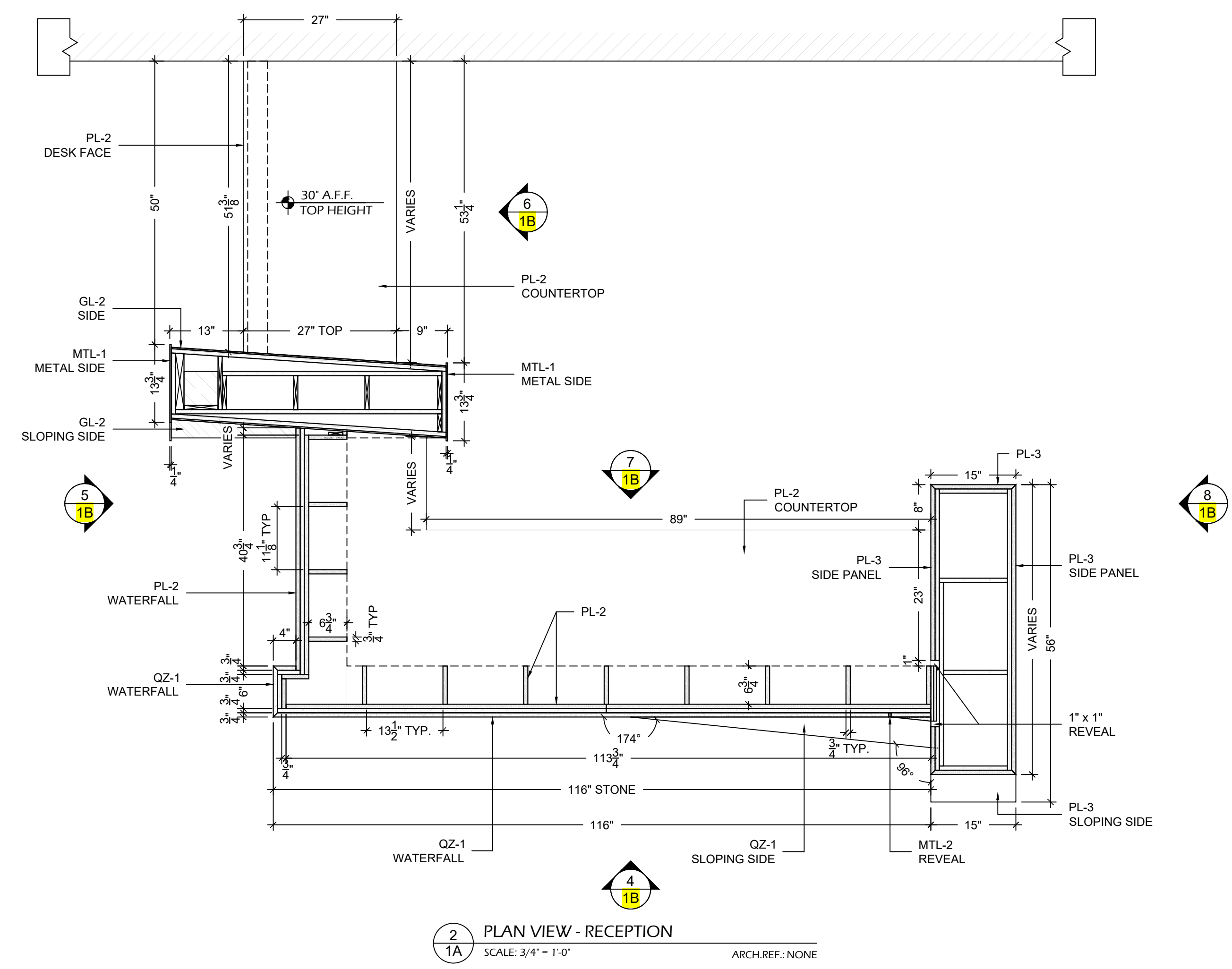
1A LOCATION PLAN - LEVEL 1
SCALE: 1/8" = 1'-0"
ARCH.REF: 1/A2.0

FINISH INDEX

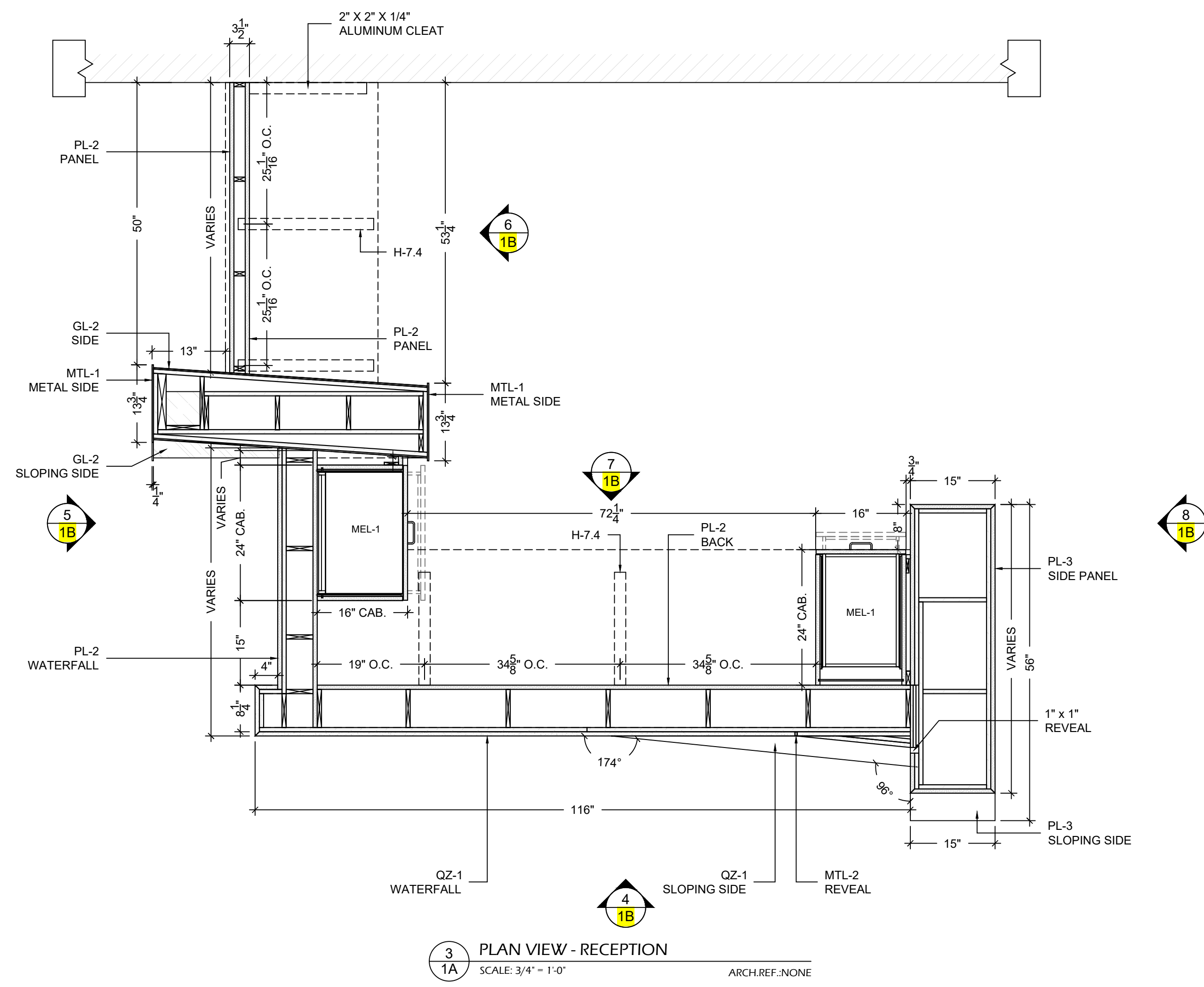
GL-2	1/4" GLASS BACK PAINTED PANEL
MEL-1	MELAMINE INTERIORS WHITE COLOR
MTL-1	POWDER COATED STEEL 11 GAUGE STEEL - MATTE BLACK
MTL-2	POWDER COATED STEEL TO MATCH PRACTICE LOGO YELLOW - MATTE ; GAUGE STEEL
PL-1	PLASTIC LAMINATE NEVAMAR - S7024G - CHALK WHITE - FINISH: GLOSS
PL-2	PLASTIC LAMINATE NEVAMAR - NM555-T024-SD THRUCOLOR - CHALK WHITE - TEXTURED/SUEDE
PL-3	PLASTIC LAMINATE WILSONART - 1592-60 - MATTE BLACK
QZ-1	2CM QUARTZ HANSTONE CHANTILLY - GLOSS

HARDWARE INDEX

H-2.0	6" WIRE PULL DOUG MOCKETT - DP128 - MATTE CHROME
H-3.3	DRAWER SLIDES ACCURIDE 3832 100LBS FULL EXTENSION 16"
H-3.5	DRAWER SLIDES ACCURIDE 3832 100LBS FULL EXTENSION 20"
H-5.1	HANGING FILE BRACKET HAFELE - 424-31-910 - STEEL, ZINC PLATED
H-5.2	HANGING FILE BAR ALUMINUM HAFELE - 422.74.900 - ALUMINUM - UNFINISHED
H-7.4	CONCEALED BRACKET A&M HARDWARE - C21 - 2.0
H-8.0	1-3/16" CAM LOCK - OVERLAY/FLUSH COMP-X - C8053 - BRIGHT NICKEL - KEYED ALIKE
H-10.0	PLASTIC BUMPERS DOOR & DRAWER BUMPERS - PLASTIC TRANSPARENT



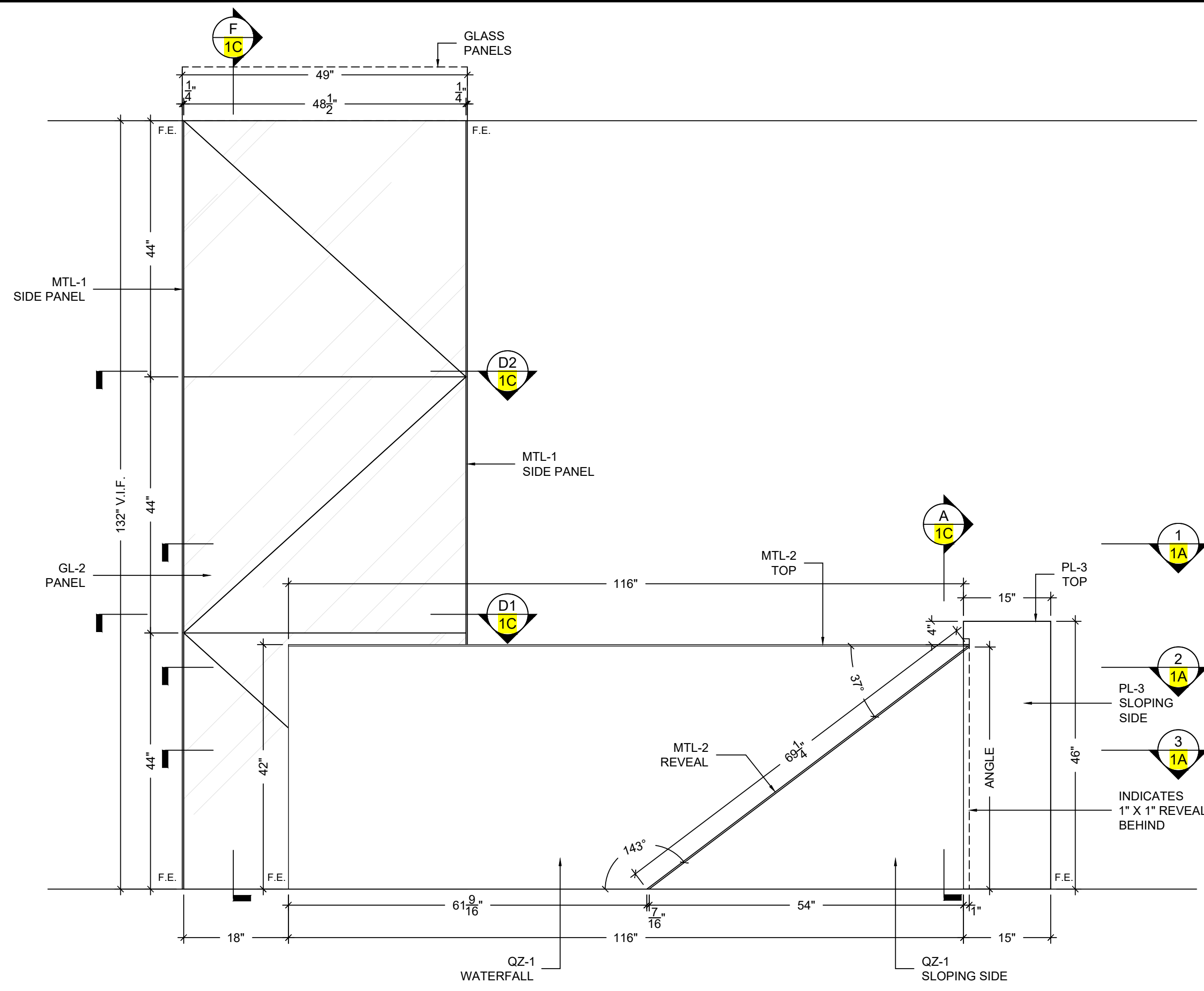
2 PLAN VIEW - RECEPTION
SCALE: 3/4" = 1'-0"
ARCH.REF: NONE



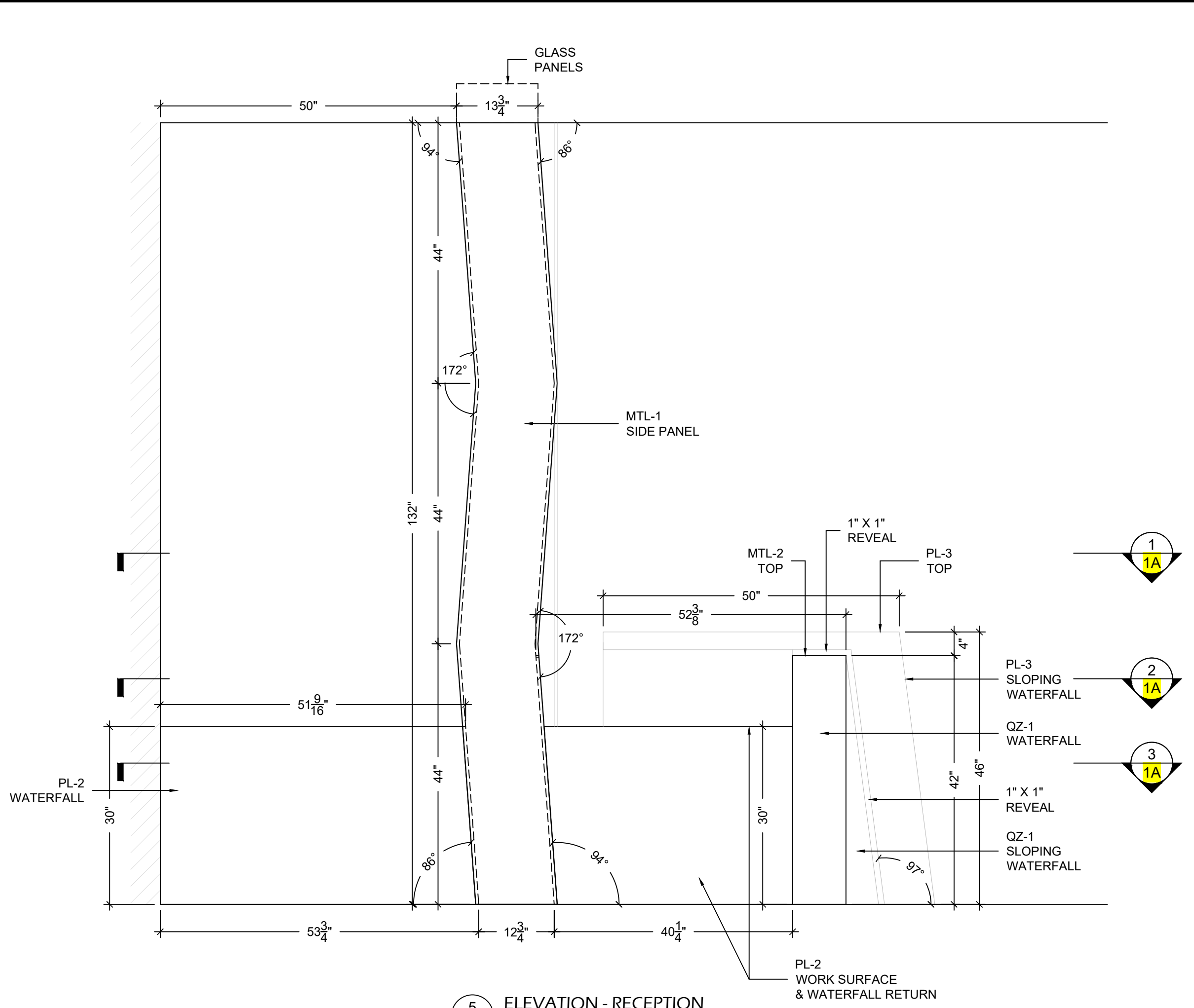
3 PLAN VIEW - RECEPTION
SCALE: 3/4" = 1'-0"
ARCH.REF: NONE

PROJECT:
ARCHITECT / DESIGNER:
CONTRACTOR:

LOCATION RECEPTION 203	
ITEM RECEPTION	
PROJECT MANAGER: XXX	DRAWN BY: HD
SCALE: AS NOTED	DATE DRAWN: 07/09/2020
REVISIONS: #1: 10/08/2020 #2: #3: #4: #5: #6: #7: #8:	JOB NUMBER: XXX SHEET NUMBER: 1A



4 ELEVATION - RECEPTION
SCALE: 3/4" = 1'-0" ARCH. REF.: 3/A6.0



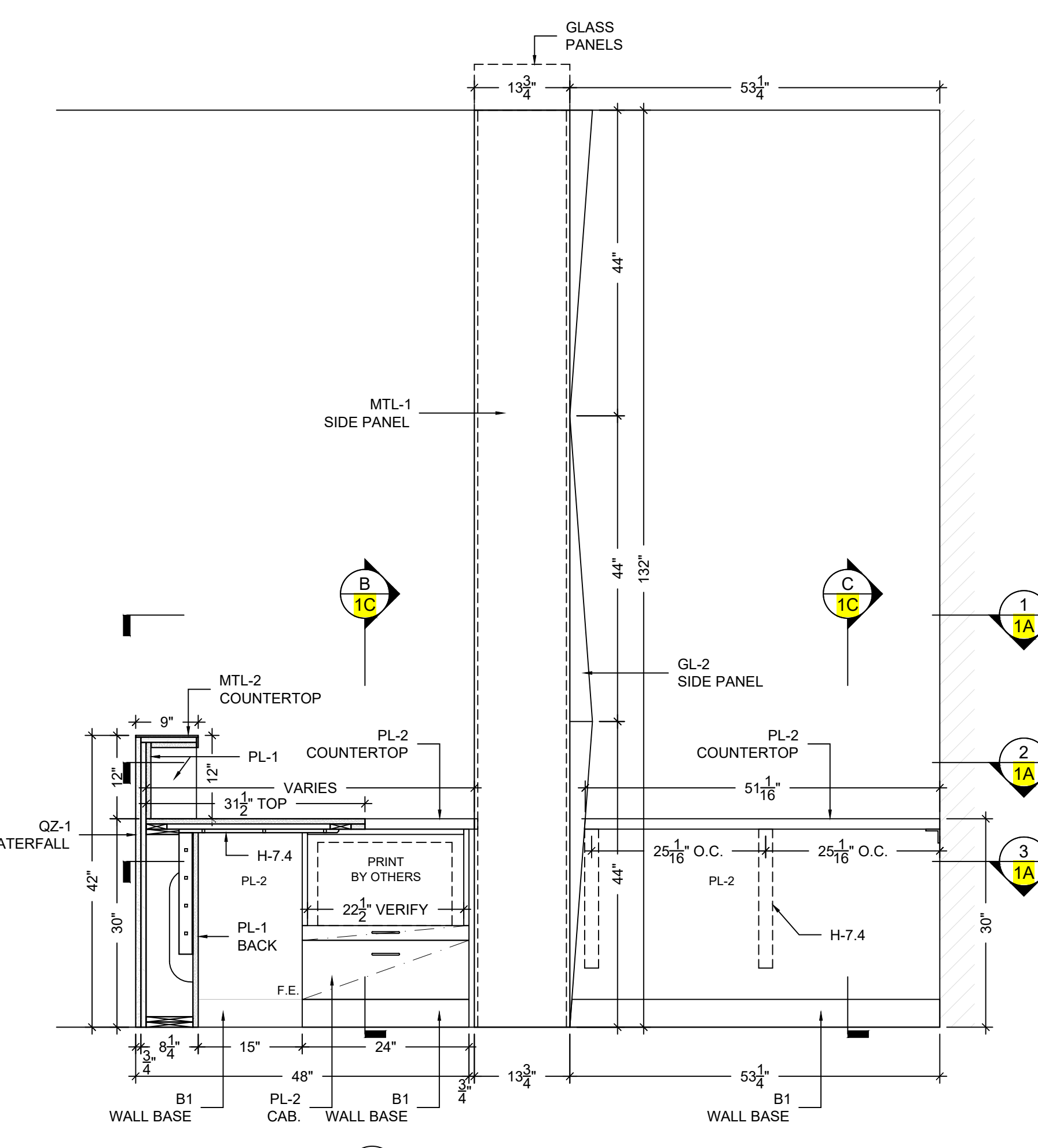
5 ELEVATION - RECEPTION
SCALE: 3/4" = 1'-0" ARCH. REF.: 1/A6.1

FINISH INDEX

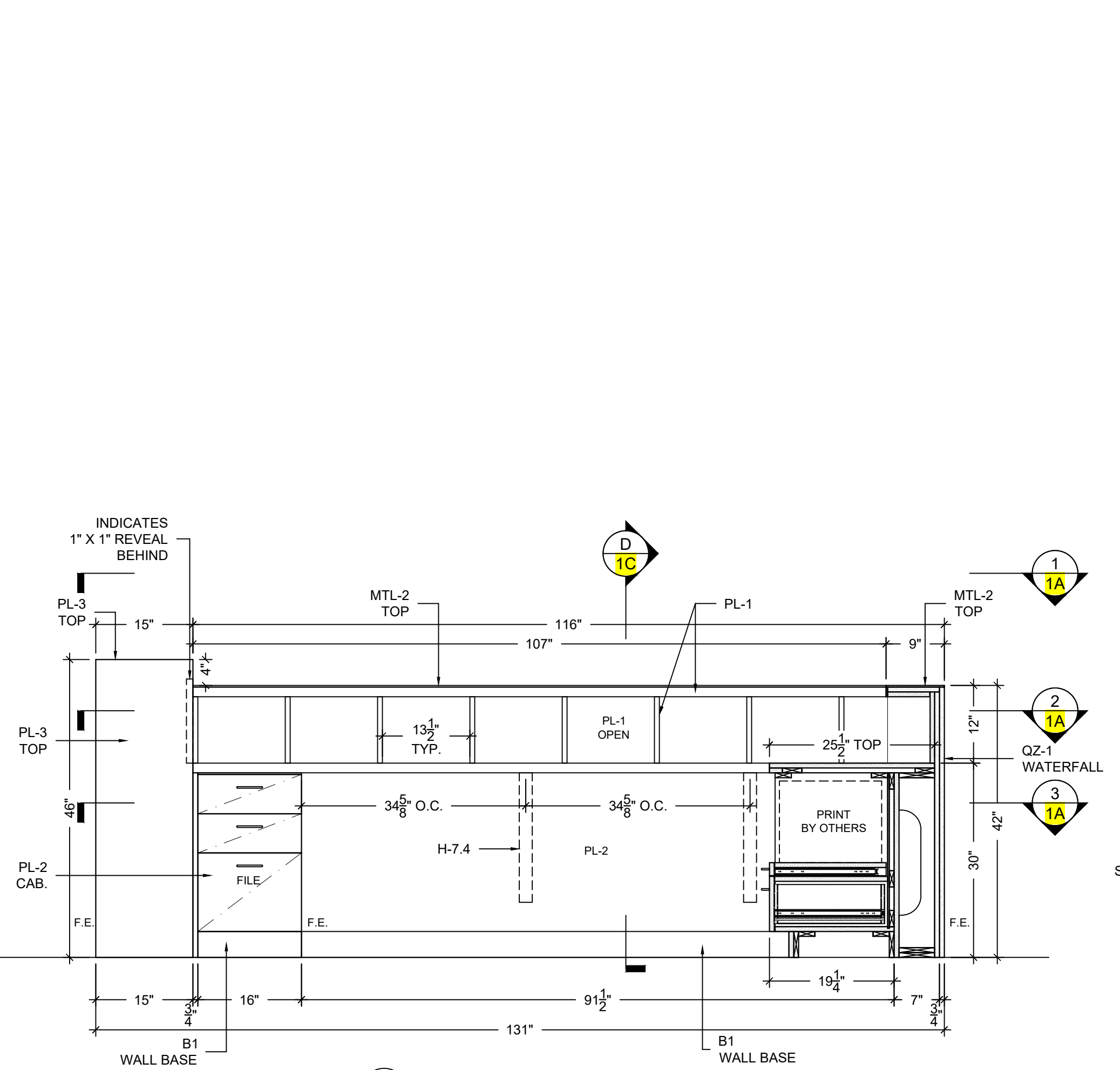
GL-2	1/4" GLASS BACK PAINTED PANEL
MEL-1	MELAMINE INTERIORS WHITE COLOR
MTL-1	POWDER COATED STEEL 11 GAUGE STEEL - MATTE BLACK
MTL-2	POWDER COATED STEEL TO MATCH PRACTICE LOGO YELLOW - MATTE ; GAUGE STEEL
PL-1	PLASTIC LAMINATE NEVAMAR - S7024G - CHALK WHITE - FINISH: GLOSS
PL-2	PLASTIC LAMINATE NEVAMAR - NM555-1024-SD THRUCOLOR - CHALK WHITE - TEXTURED/SUEDE
PL-3	PLASTIC LAMINATE WILSONART - 1592-60 - MATTE BLACK
QZ-1	2CM QUARTZ HANSTONE CHANTILLY - GLOSS

HARDWARE INDEX

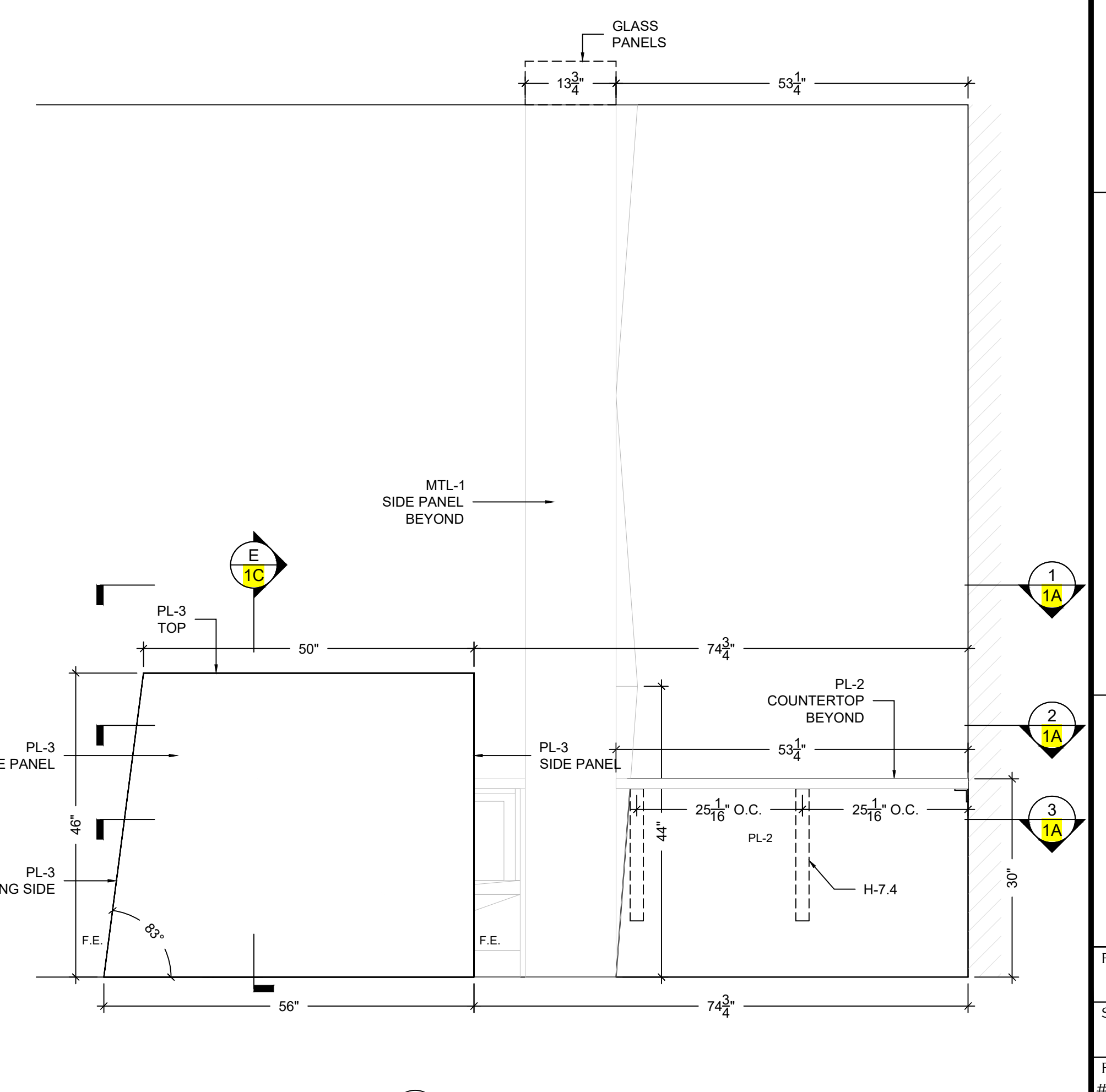
H-2.0	6" WIRE PULL DOUG MOCKETT - DP128 - MATTE CHROME
H-3.3	DRAWER SLIDES ACCURIDE 3832 100LBS FULL EXTENSION 16"
H-3.5	DRAWER SLIDES ACCURIDE 3832 100LBS FULL EXTENSION 20"
H-5.1	HANGING FILE BRACKET HAFELE - 424-31-910 - STEEL, ZINC PLATED
H-5.2	HANGING FILE BAR ALUMINUM HAFELE - 422.74.900 - ALUMINUM - UNFINISHED
H-7.4	CONCEALED BRACKET A&M HARDWARE - C21 - 2.0
H-8.0	1-3/16" CAM LOCK - OVERLAY/FLUSH COMP-X - C8053 - BRIGHT NICKEL - KEYPED ALIKE
H-10.0	PLASTIC BUMPERS DOOR & DRAWER BUMPERS - PLASTIC TRANSPARENT



6 ELEVATION - RECEPTION
SCALE: 3/4" = 1'-0" ARCH. REF.: 7/A6.0



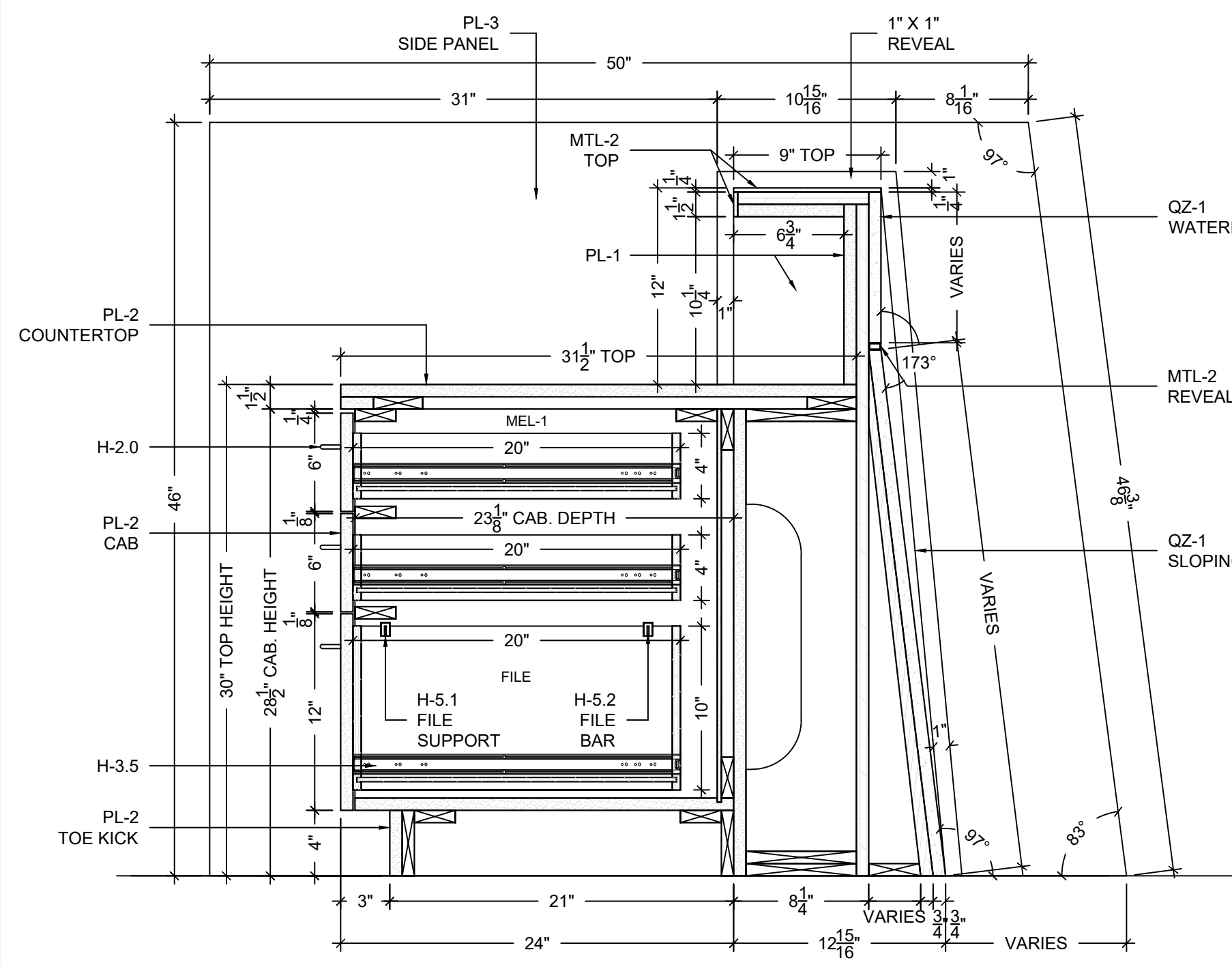
7 ELEVATION - RECEPTION
SCALE: 3/4" = 1'-0" ARCH. REF.: 6/A6.0



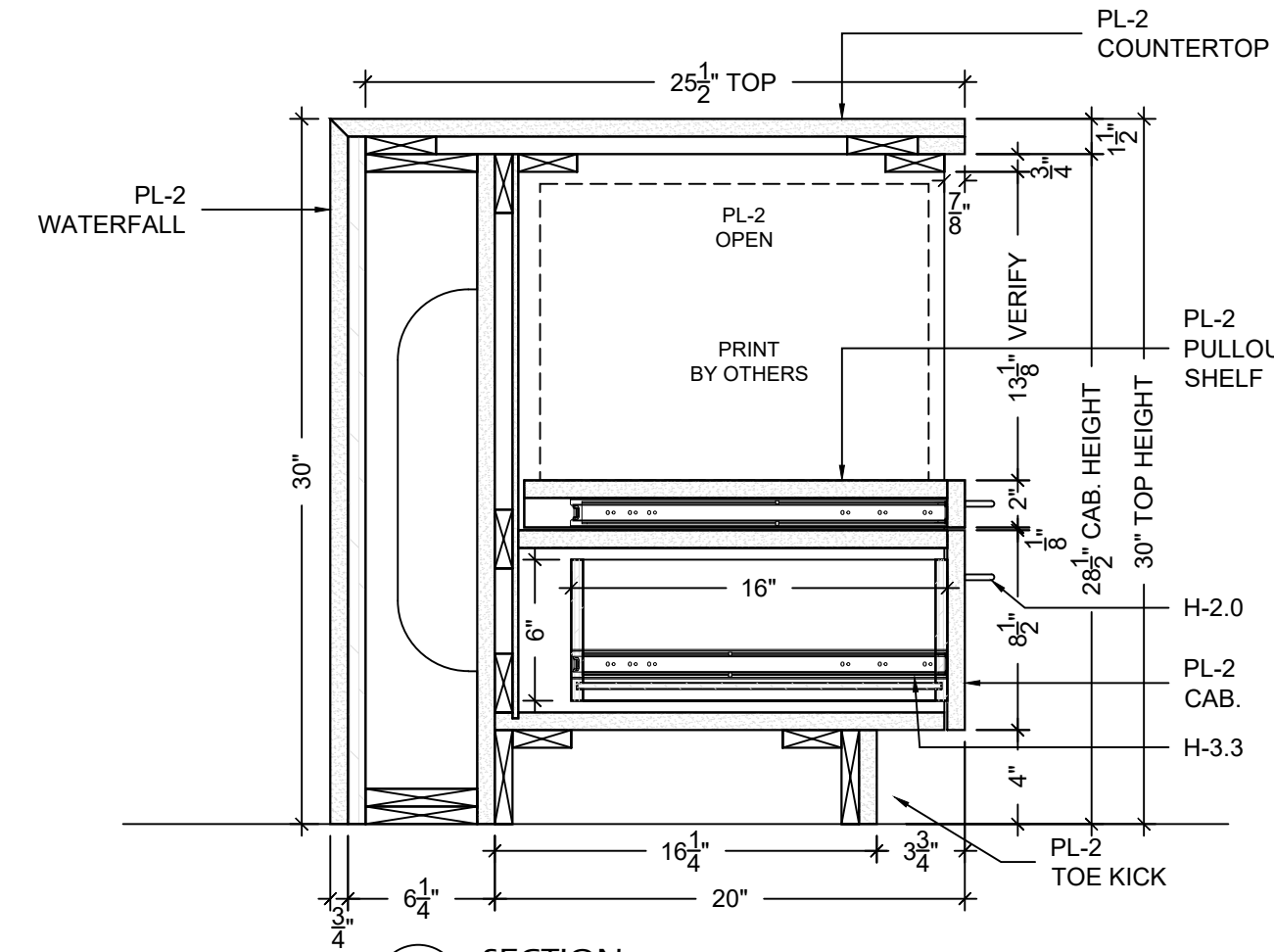
8 ELEVATION - RECEPTION
SCALE: 3/4" = 1'-0" ARCH. REF.: NONE

CONTRACTOR: ARCHITECT / DESIGNER: PROJECT:

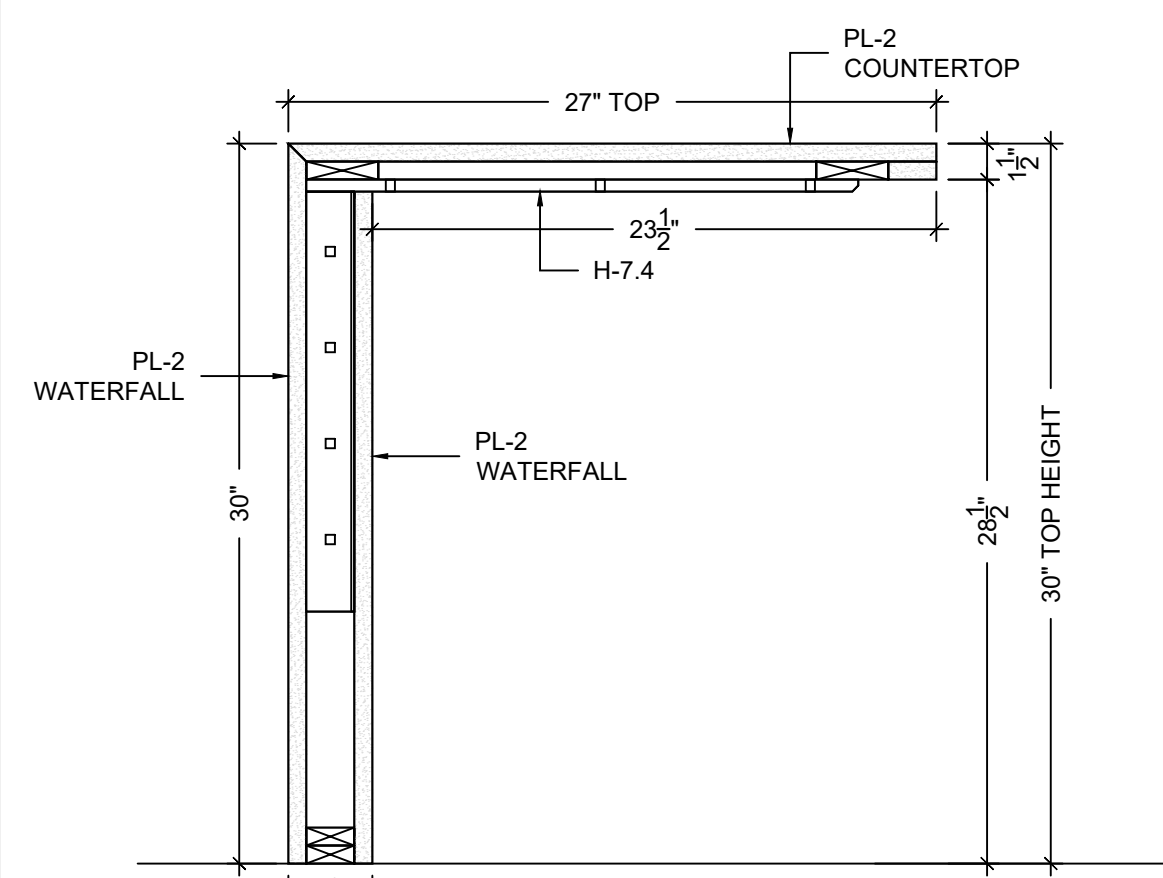
LOCATION	RECEPTION 203
ITEM	RECEPTION
PROJECT MANAGER:	XXX
SCALE:	AS NOTED
REVISIONS:	#1: 10/08/2020 #2: #3: #4: #5: #6: #7: #8:
DRAWN BY:	HD
DATE DRAWN:	07/09/2020
JOB NUMBER:	XXX
SHEET NUMBER:	1B



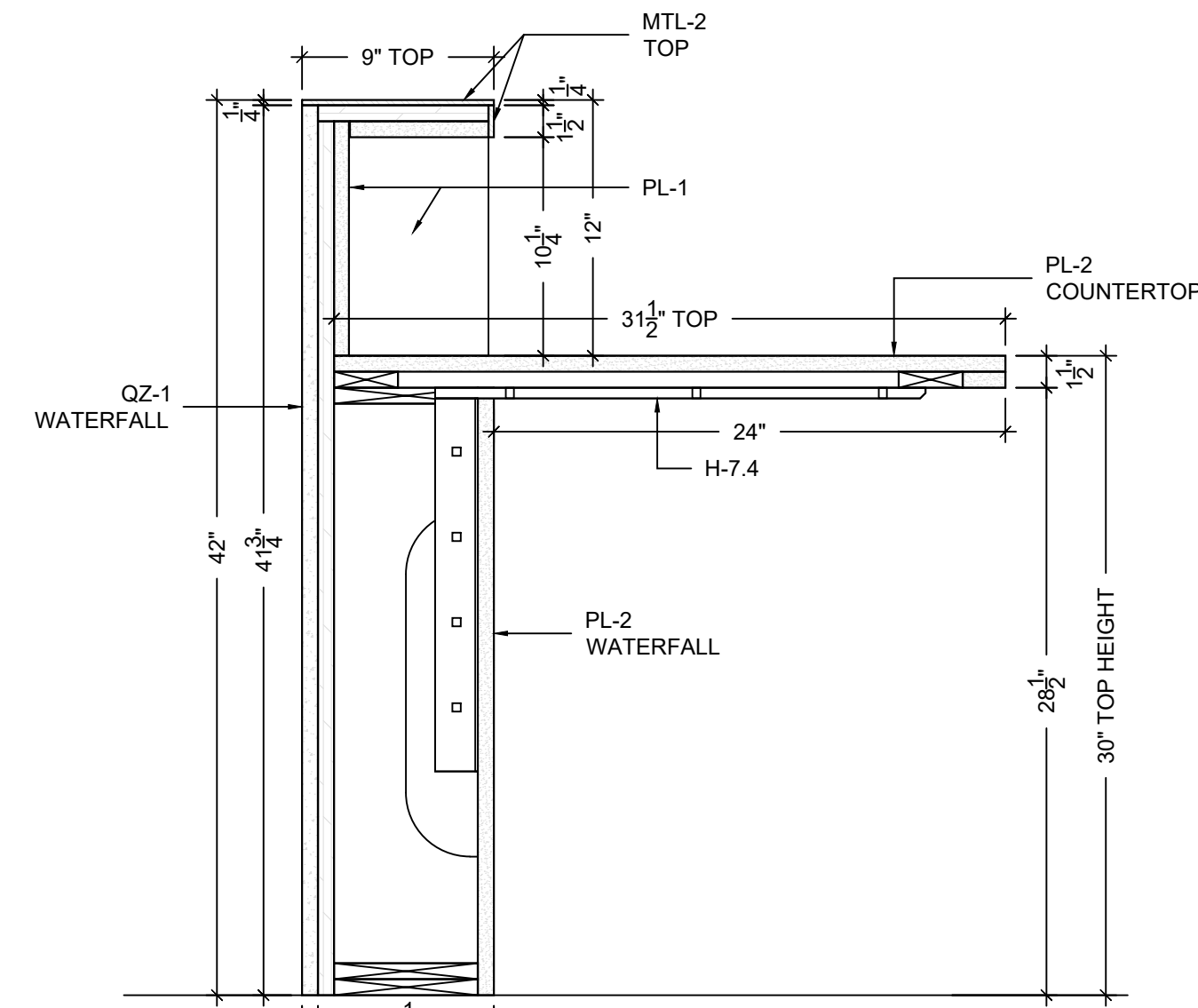
A 1C SECTION
SCALE: 1-1/2" = 1'-0" ARCH. REF.: NONE



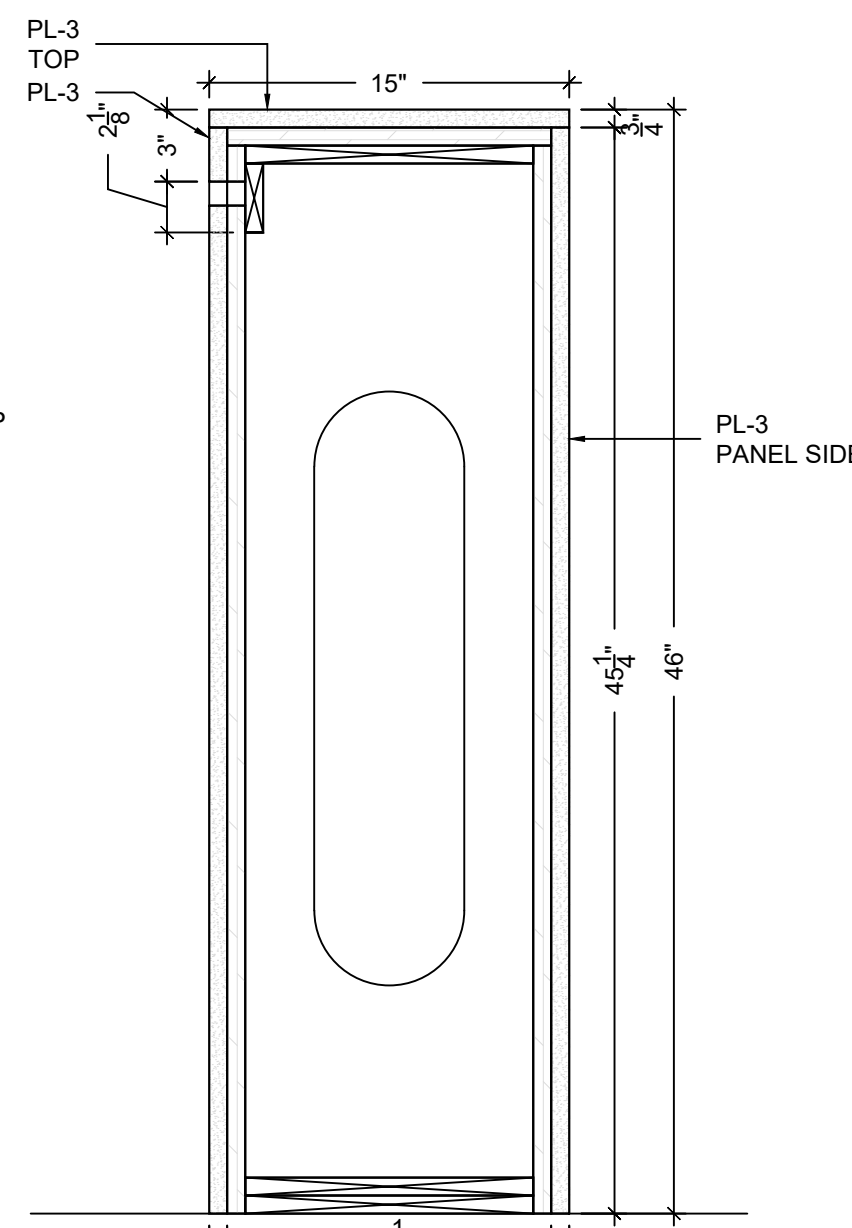
B 1C SECTION
SCALE: 1-1/2" = 1'-0" ARCH. REF.: 4/A8.0



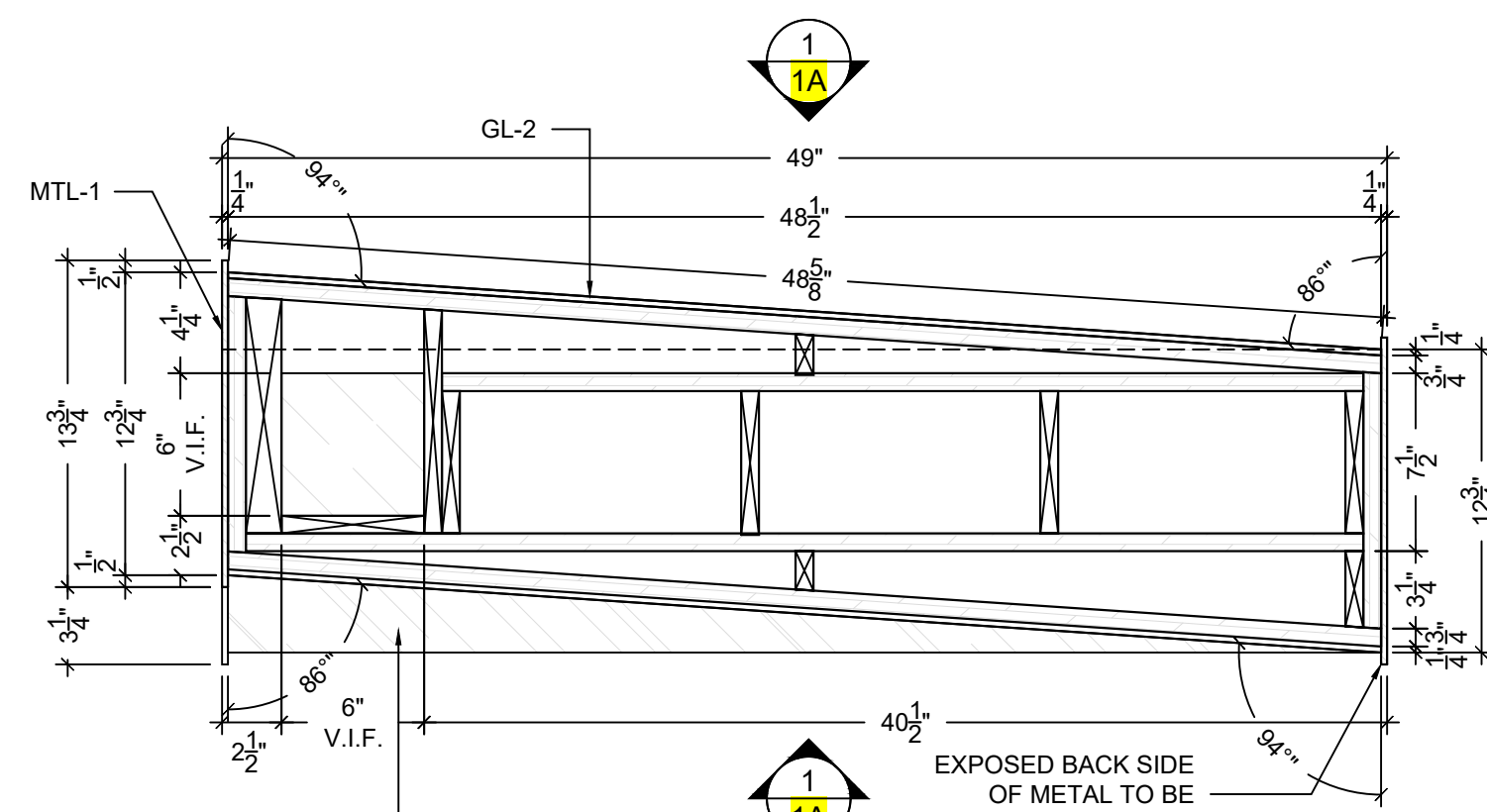
C 1C SECTION
SCALE: 1-1/2" = 1'-0" ARCH. REF.: 2/A8.0



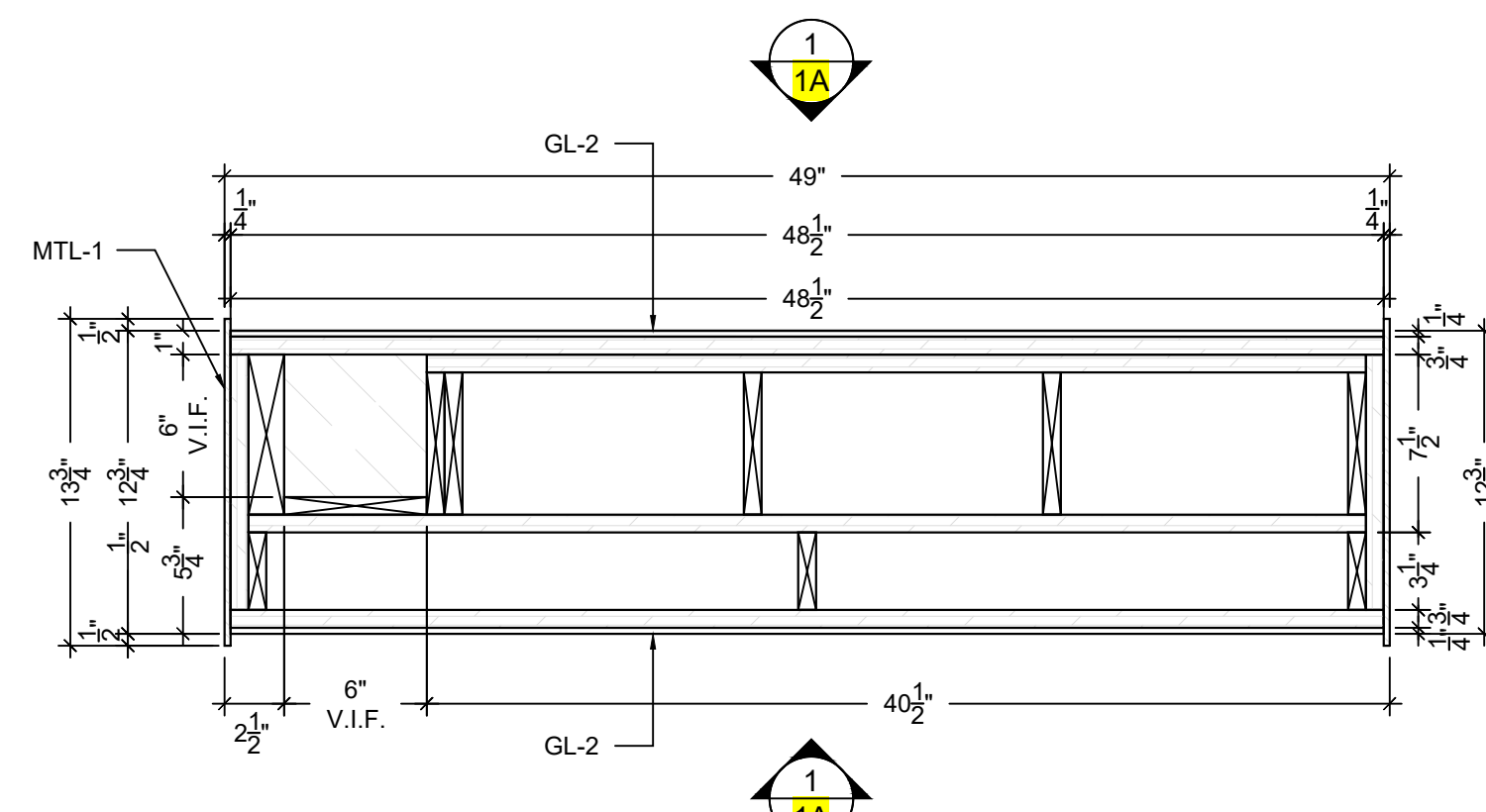
D 1C SECTION
SCALE: 1-1/2" = 1'-0" ARCH. REF.: NONE



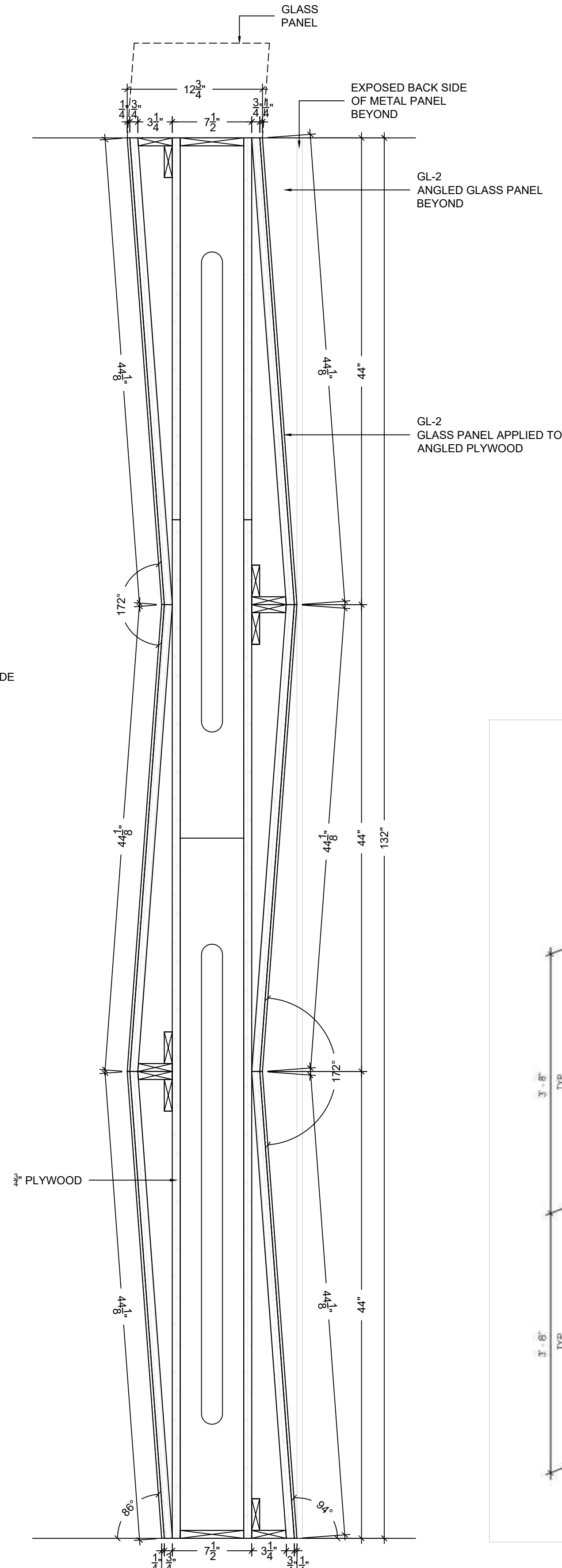
E 1C SECTION
SCALE: 1-1/2" = 1'-0" ARCH. REF.: NONE



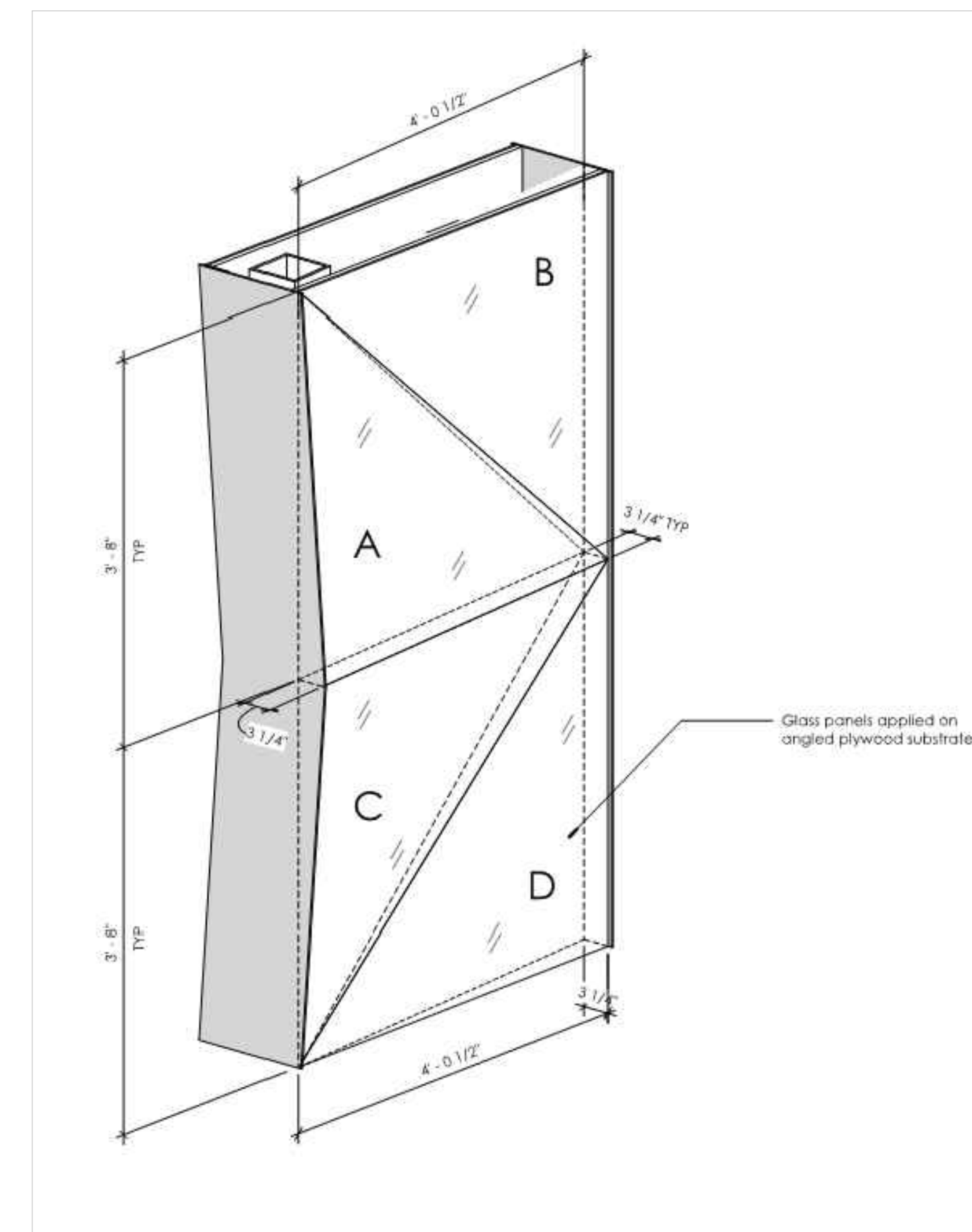
D1 1C DETAIL
SCALE: 1-1/2" = 1'-0" ARCH. REF.: NONE



D2 1C DETAIL
SCALE: 1-1/2" = 1'-0" ARCH. REF.: NONE



F 1C SECTION
SCALE: 1-1/2" = 1'-0" ARCH. REF.: NONE



D3 1C ISOMETRICO - WALL PANEL
SCALE: 1" = 1'-0" ARCH. REF.: 7/A8.0

FINISH INDEX

GL-2	1/4" GLASS BACK PAINTED PANEL
MEL-1	MELAMINE INTERIORS WHITE COLOR
MTL-1	POWDER COATED STEEL 11 GAUGE STEEL - MATTE BLACK
MTL-2	POWDER COATED STEEL TO MATCH PRACTICE LOGO YELLOW - MATTE ; GAUGE STEEL
PL-1	PLASTIC LAMINATE NEVAMAR - S7024G - CHALK WHITE - FINISH: GLOSS
PL-2	PLASTIC LAMINATE NEVAMAR - NM55-7024-SD THRUCOLOR - CHALK WHITE - TEXTURED/SUEDE
PL-3	PLASTIC LAMINATE WILSONART - 1592-60 - MATTE BLACK
QZ-1	2CM QUARTZ HANSTONE CHANTILLY - GLOSS

HARDWARE INDEX

H-2.0	6" WIRE PULL DOUG MOCKETT - DP128 - MATTE CHROME
H-3.3	DRAWER SLIDES ACCURIDE 3832 100LBS FULL EXTENSION 16"
H-3.5	DRAWER SLIDES ACCURIDE 3832 100LBS FULL EXTENSION 20"
H-5.1	HANGING FILE BRACKET HAFELE - 424-31-910 - STEEL, ZINC PLATED
H-5.2	HANGING FILE BAR ALUMINUM HAFELE - 422.74.900 - ALUMINUM - UNFINISHED
H-7.4	CONCEALED BRACKET A&M HARDWARE - C21 - 2.0
H-8.0	1-3/16" CAM LOCK - OVERLAY/FLUSH COMP-X - C8053 - BRIGHT NICKEL - KEYPED ALIKE
H-10.0	PLASTIC BUMPERS DOOR & DRAWER BUMPERS - PLASTIC TRANSPARENT

PROJECT:

ARCHITECT / DESIGNER:

CONTRACTOR:

LOCATION

RECEPTION 203

ITEM

RECEPTION

PROJECT MANAGER:

XXX

DRAWN BY:

HD

SCALE:

AS NOTED

DATE DRAWN:

07/09/2020

REVISIONS:

#1: 10/08/2020

JOB NUMBER:

XXX

#2:

#3:

#4:

#5:

#6:

#7:

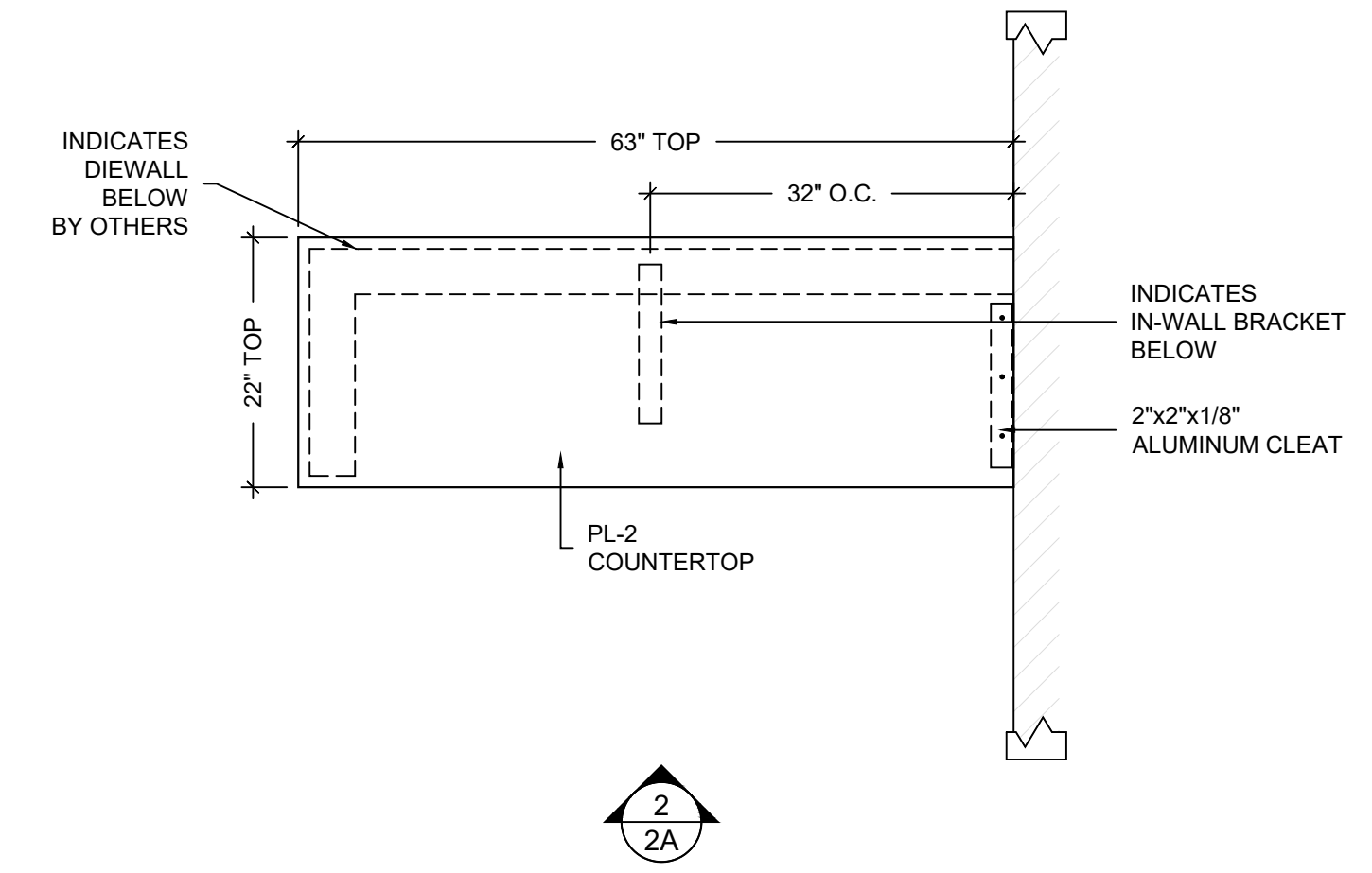
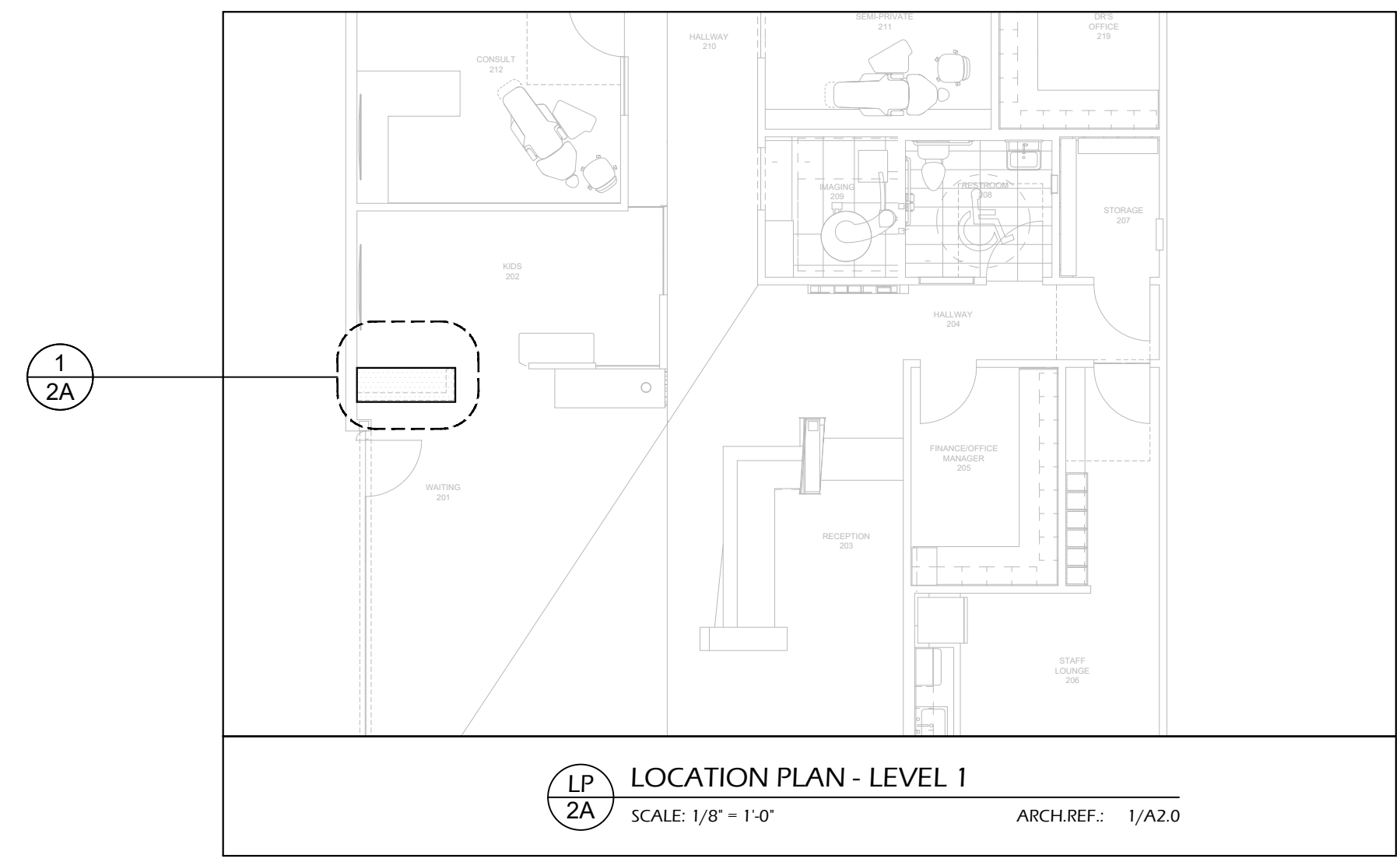
#8:

SHEET NUMBER:

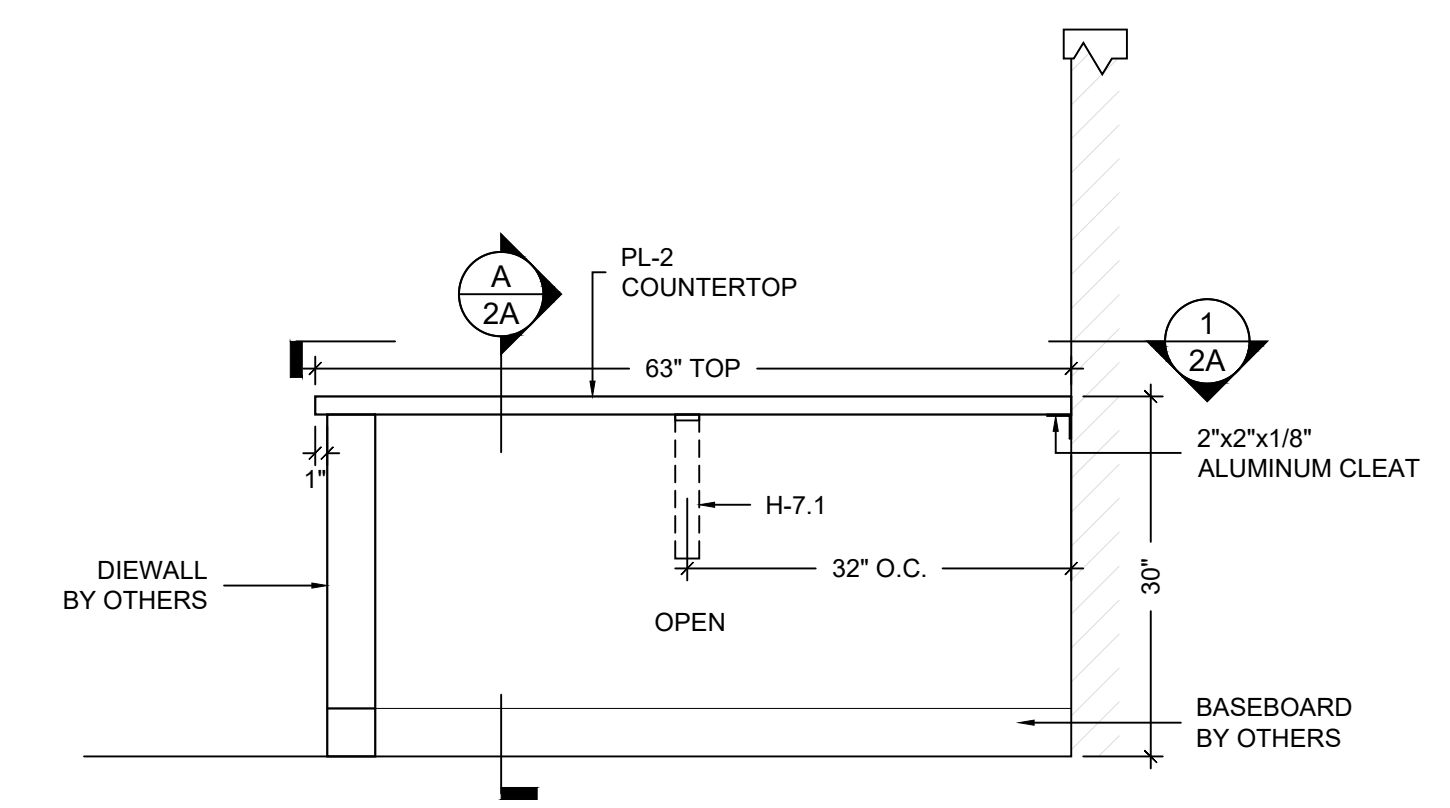
1C

FINISH INDEX	
PL-2	PLASTIC LAMINATE NEVAMAR - NM55-7024-S0 THRUCOLOR - CHALK WHITE - TEXTURED/SUEDE

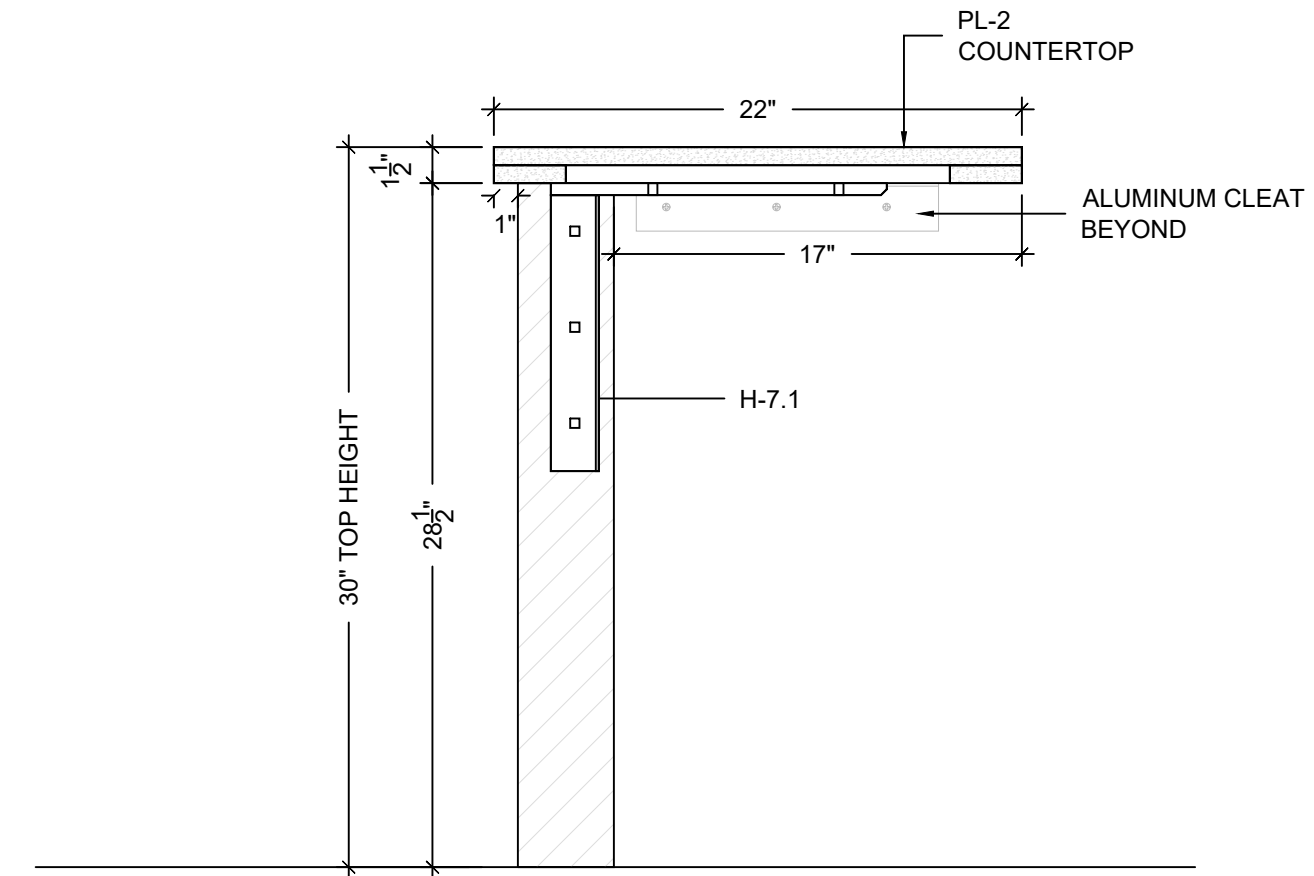
HARDWARE INDEX	
H-7.1	CONCEALED BRACKET A&M HARDWARE - C12 - 2.0



1/2A PLAN VIEW - COUNTERTOP
SCALE: 3/4" = 1'-0" ARCH. REF.: 1/A2.0



2/2A ELEVATION - COUNTERTOP
SCALE: 3/4" = 1'-0" ARCH. REF.: 4/A6.0



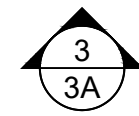
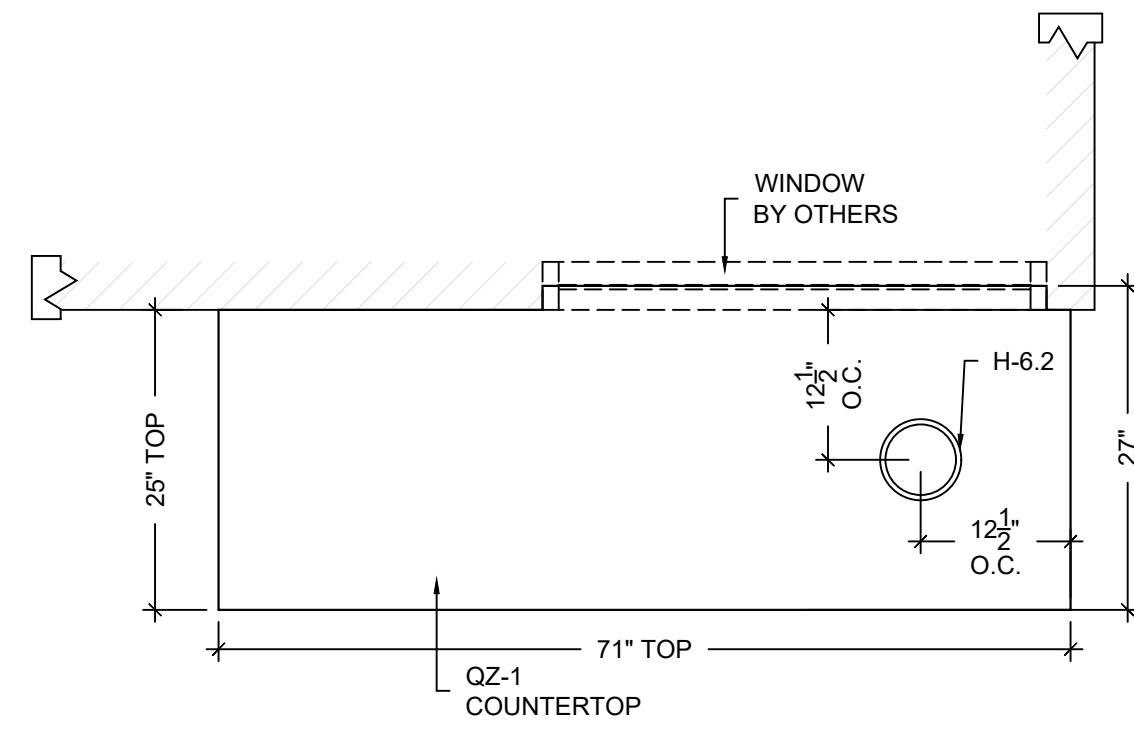
A/2A SECTION
SCALE: 1-1/2" = 1'-0" ARCH. REF.: NONE

PROJ ECT

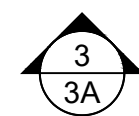
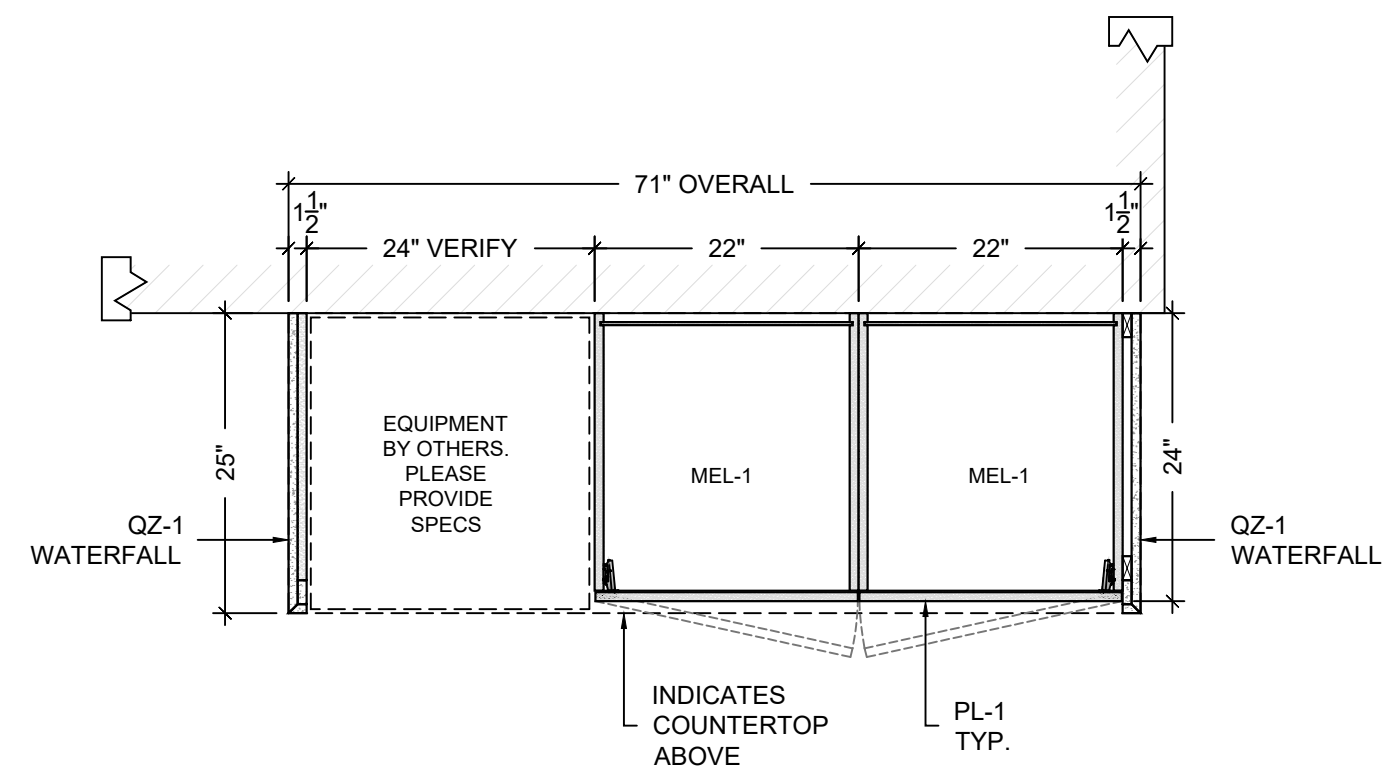
ARCHITECT / DESIGNER

CONTRACTOR

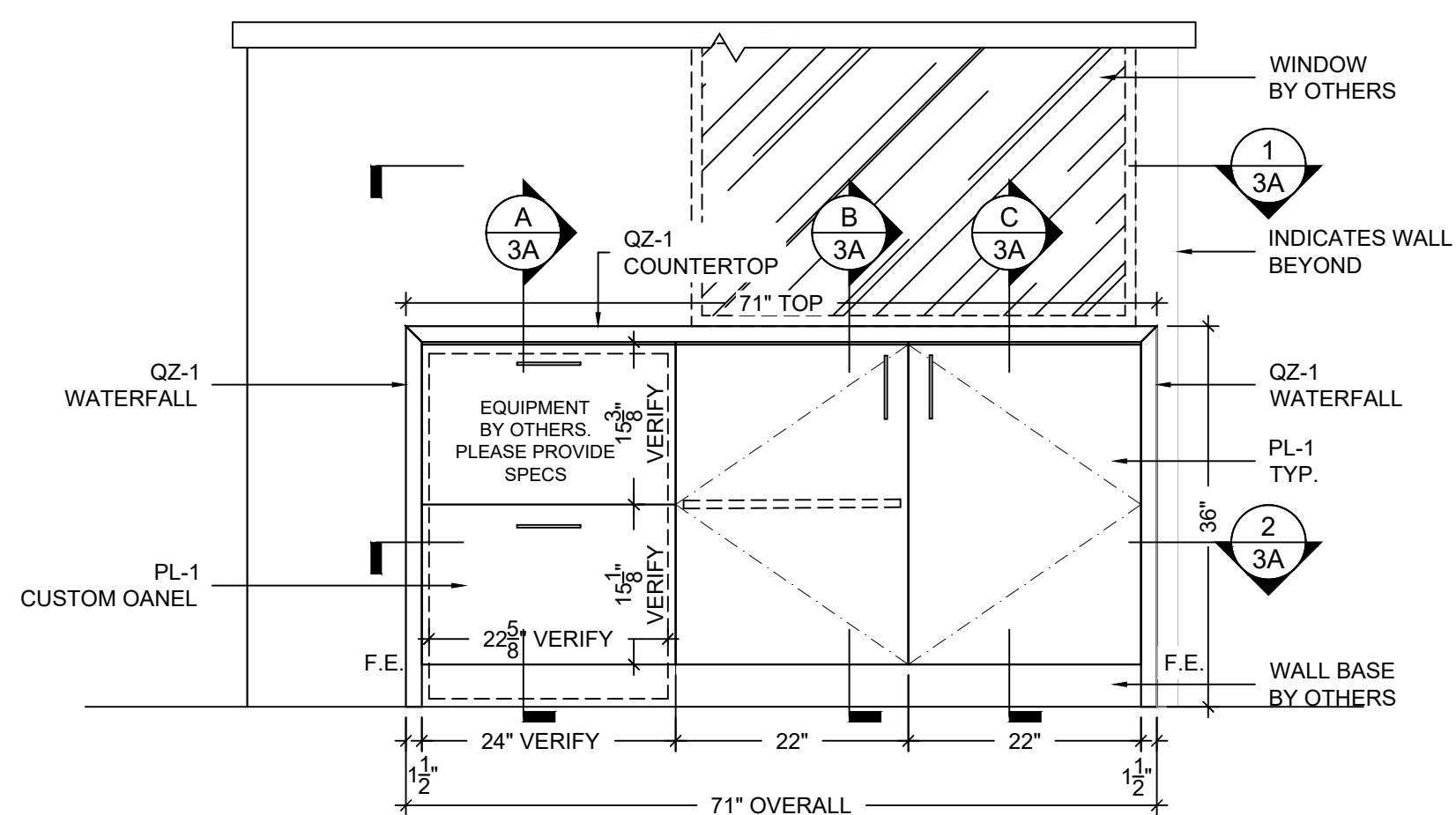
LOCATION	
KIDS 202	
ITEM	
COUNTERTOP	
PROJECT MANAGER: XXX	DRAWN BY: HD
SCALE: AS NOTED	DATE DRAWN: 07/09/2020
REVISIONS: #1: 10/08/2020 #2: #3: #4: #5: #6: #7: #8:	JOB NUMBER: XXX SHEET NUMBER: 2A



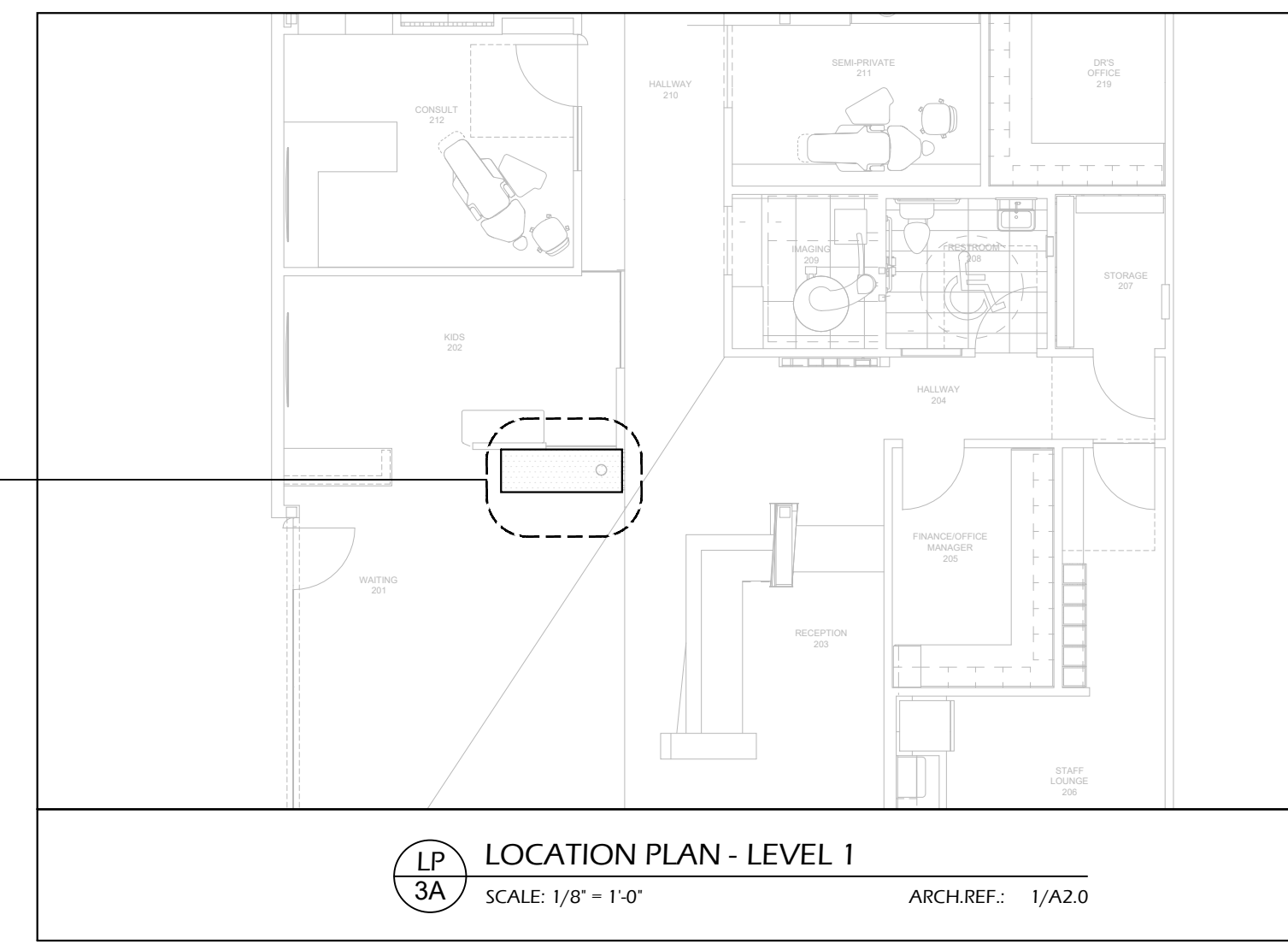
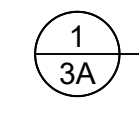
1 PLAN VIEW - CASEWORK @ WAITING 201
SCALE: 3/4" = 1'-0" ARCH.REF.: 1/A2.0



2 PLAN SECTION - CASEWORK @ WAITING 201
SCALE: 3/4" = 1'-0" ARCH.REF.: NONE



3 ELEVATION - CASEWORK @ WAITING 201
SCALE: 3/4" = 1'-0" ARCH.REF.: 2/A6.0

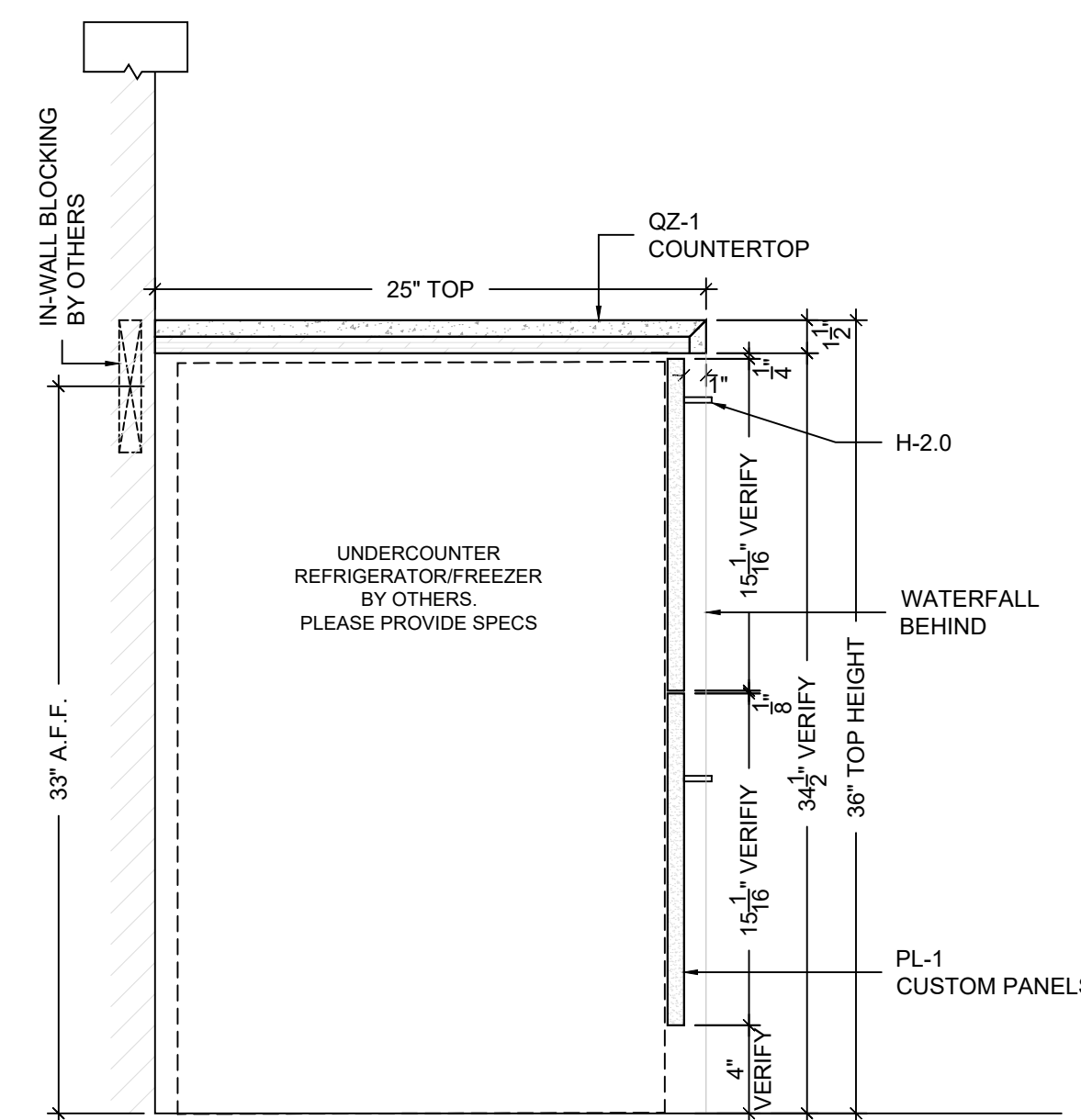


FINISH INDEX

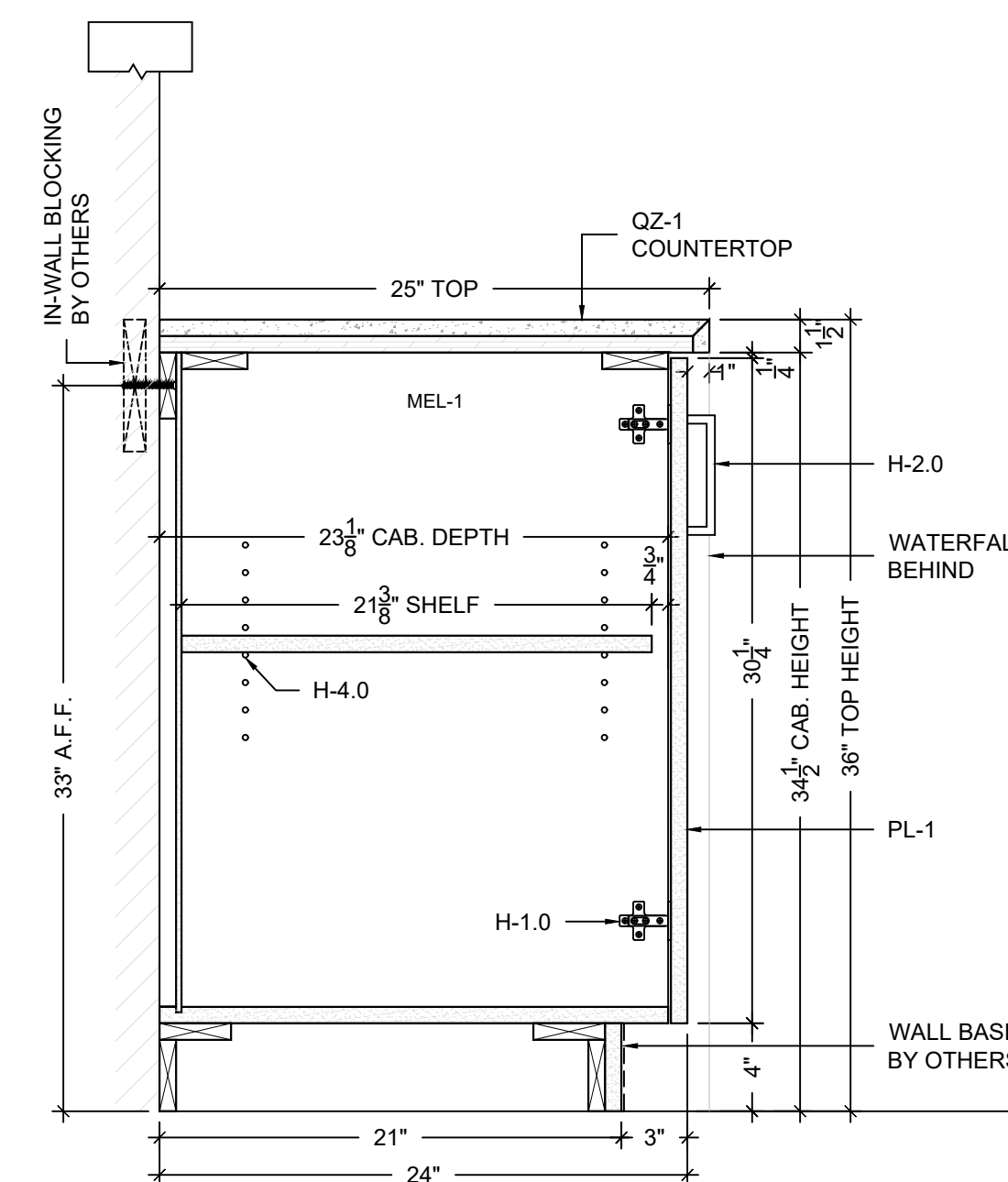
MEL-1	MELAMINE INTERIORS WHITE COLOR
PL-1	PLASTIC LAMINATE NEVAMAR - S7024G - CHALK WHITE - FINISH: GLOSS
QZ-1	2CM QUARTZ HANSTONE CHANTILLY - GLOSS

HARDWARE INDEX

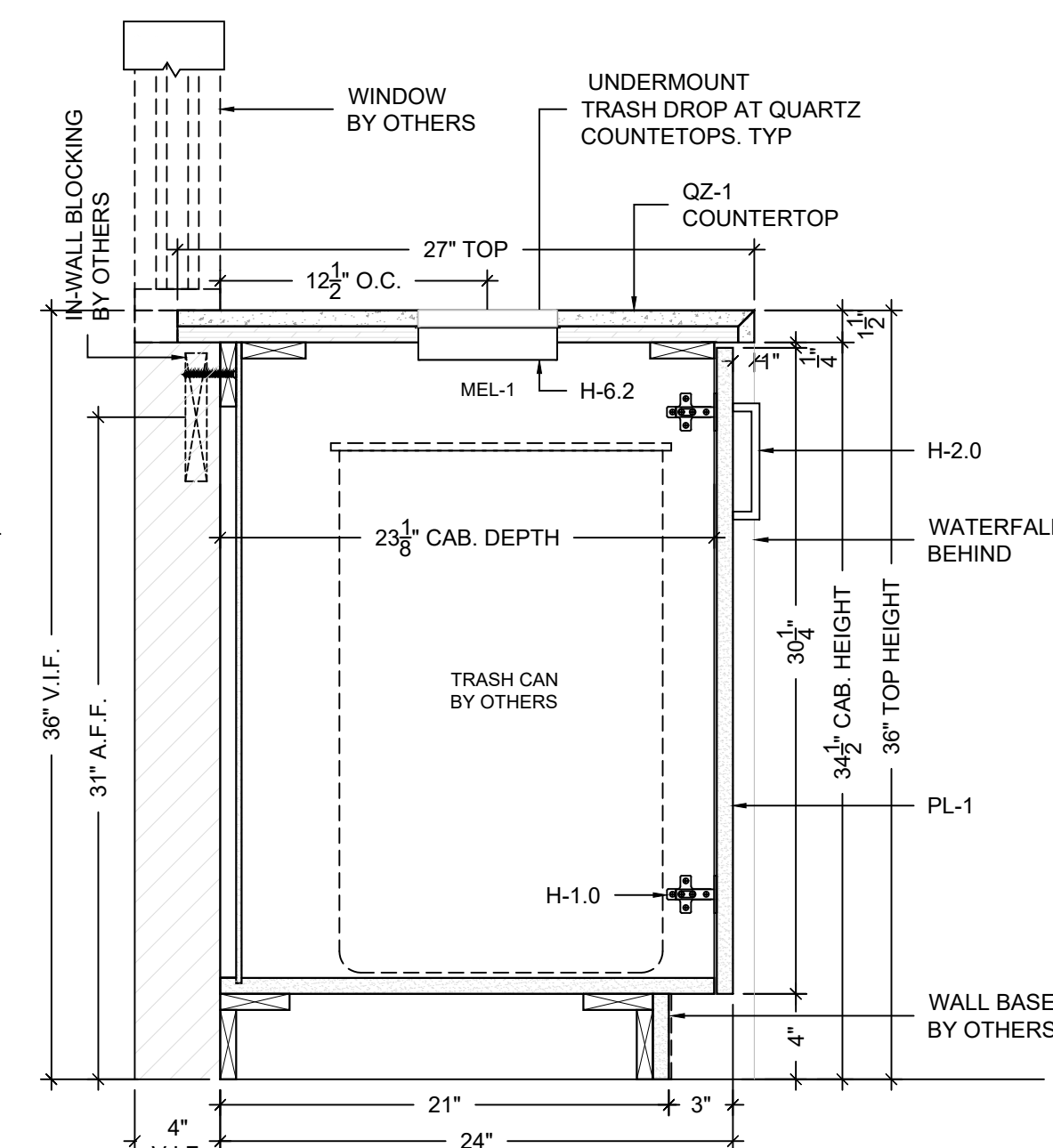
H-1.0	CONCEALED EUROPEAN HINGE BLUM - 170° SWING
H-2.0	6" WIRE PULL DOUG MOCKETT - DP128 - MATTE CHROME
H-4.0	5mm SHELF PINS KV 332 ANO - ANOCHROME FINISH
H-6.2	6" TRASH DROP MOCKETT - TM1A - STAINLESS STEEL - 2" DEEP
H-10.0	PLASTIC BUMPERS DOOR & DRAWER BUMPERS - PLASTIC TRANSPARENT



A SECTION
SCALE: 1-1/2" = 1'-0" ARCH.REF.: NONE



B SECTION
SCALE: 1-1/2" = 1'-0" ARCH.REF.: NONE



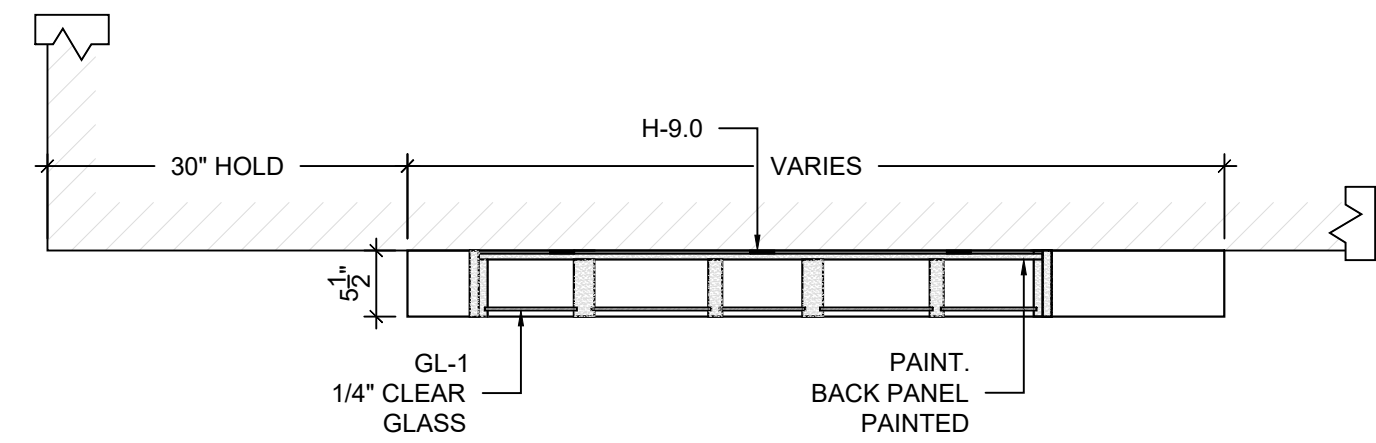
C SECTION
SCALE: 1-1/2" = 1'-0" ARCH.REF.: NONE

PROJECT: ARCHITECT / DESIGNER: CONTRACTOR:

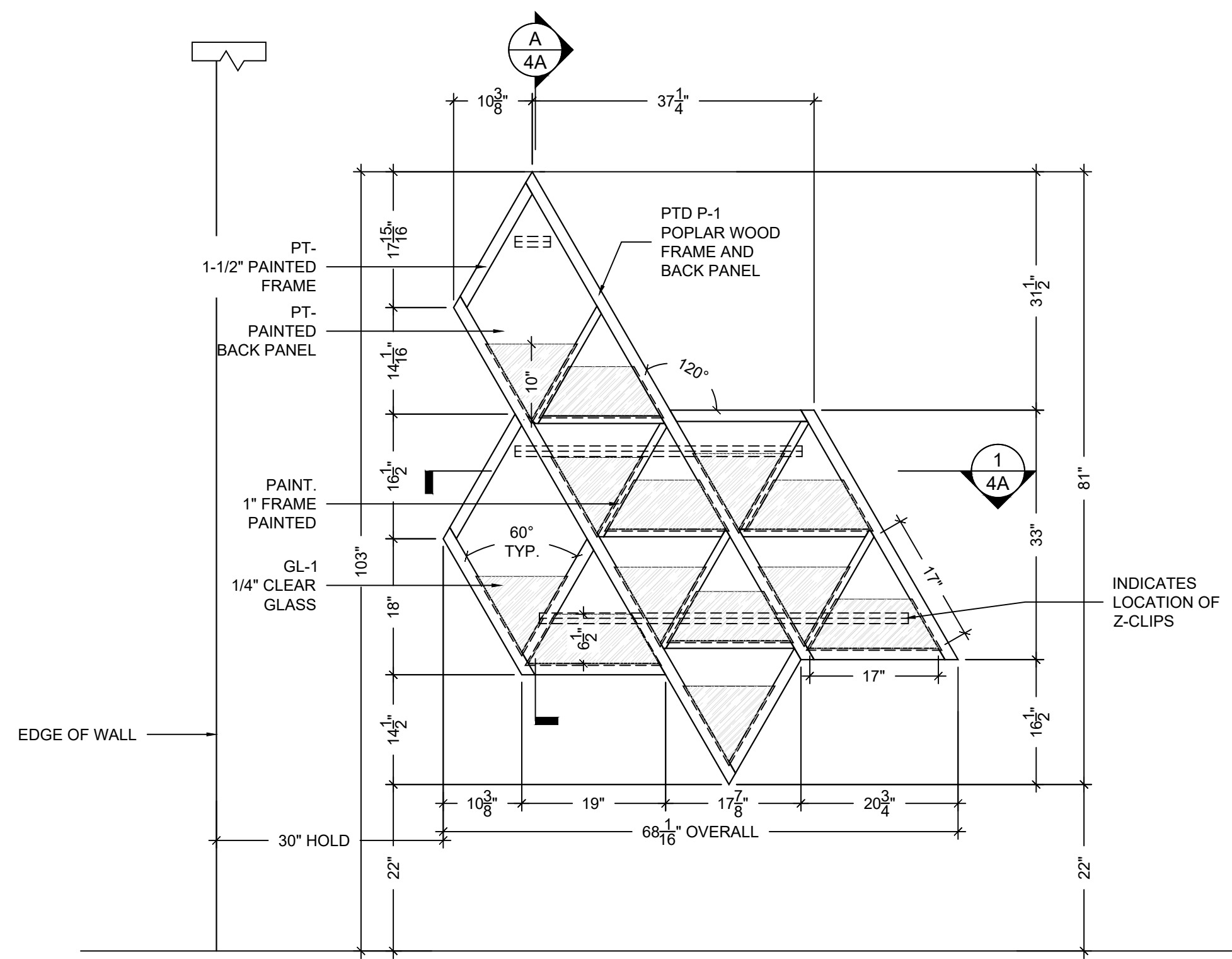
LOCATION: WAITING 201

ITEM: CASEWORK

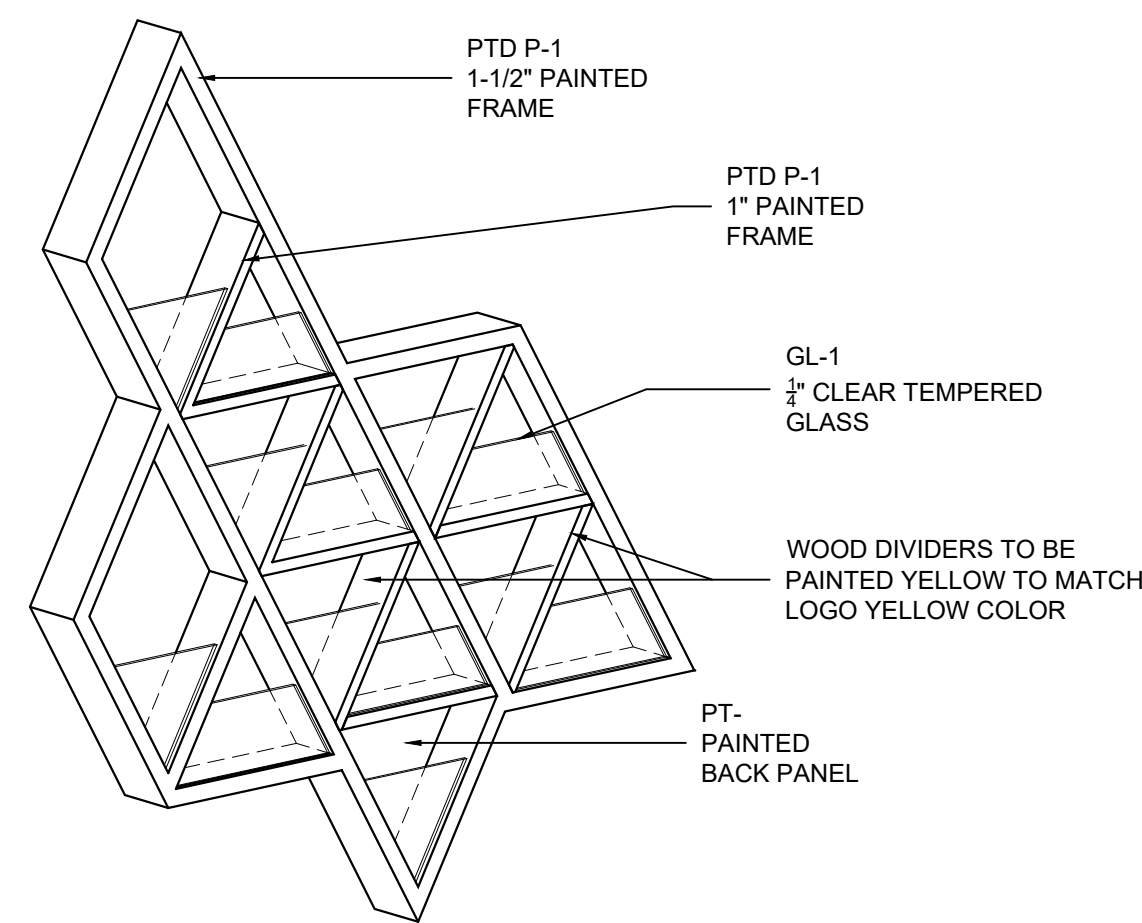
PROJECT MANAGER: XXX	DRAWN BY: HD
SCALE: AS NOTED	DATE DRAWN: 07/09/2020
REVISIONS: #1: 10/08/2020 #2: #3: #4: #5: #6: #7: #8:	JOB NUMBER: XXX SHEET NUMBER: 3A



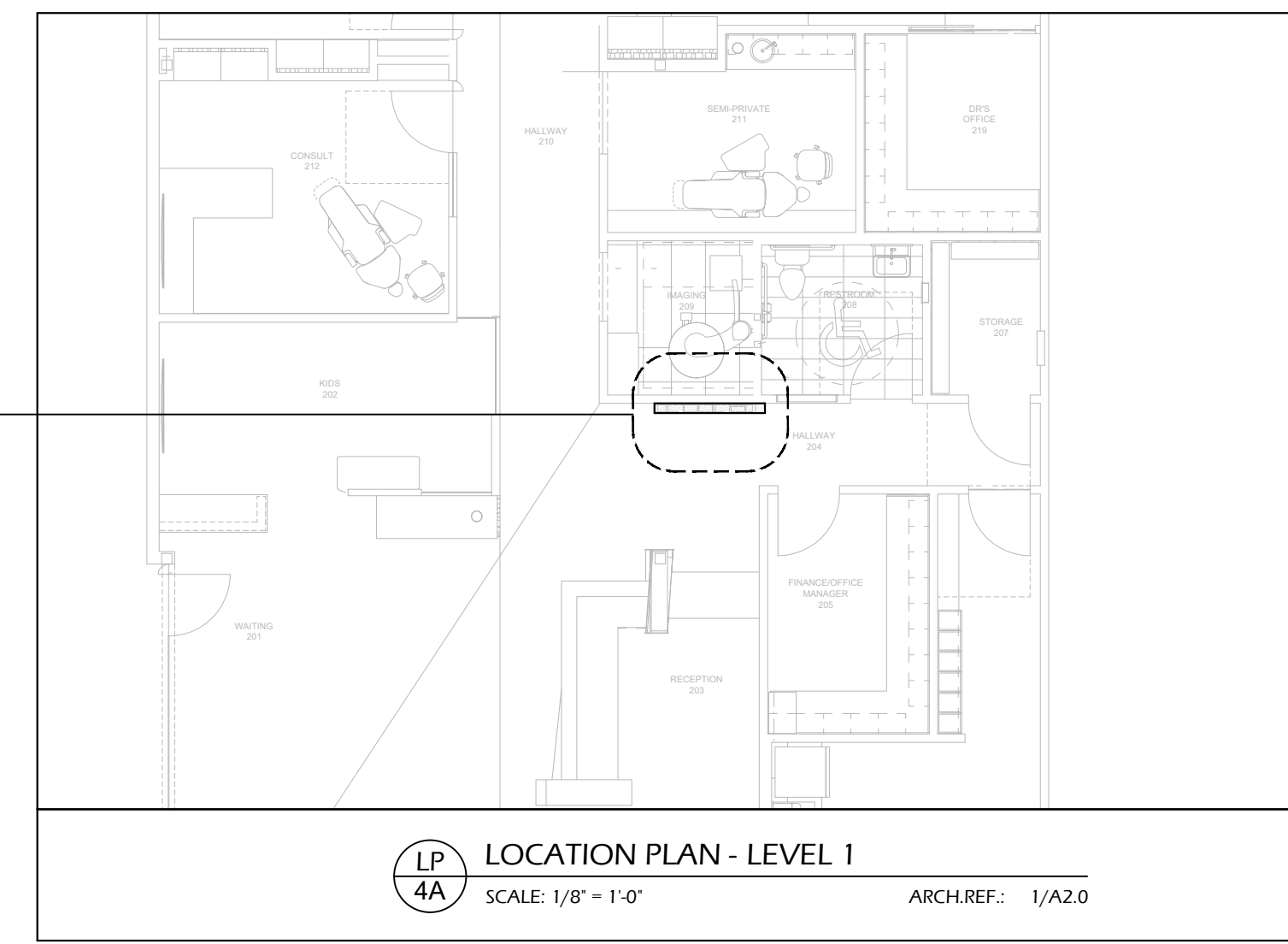
1
4A PLAN VIEW - CANDY DISPENSER @ HALLWAY 204
SCALE: 3/4" = 1'-0" ARCH. REF.: 1/A2.0



2
4A ELEVATION - CANDY DISPENSER @ HALLWAY 204
SCALE: 3/4" = 1'-0" ARCH. REF.: 8/A6.2



D1
4A ISOMETRIC
SCALE: 1" = 1'-0" ARCH. REF.: 7/A6.2



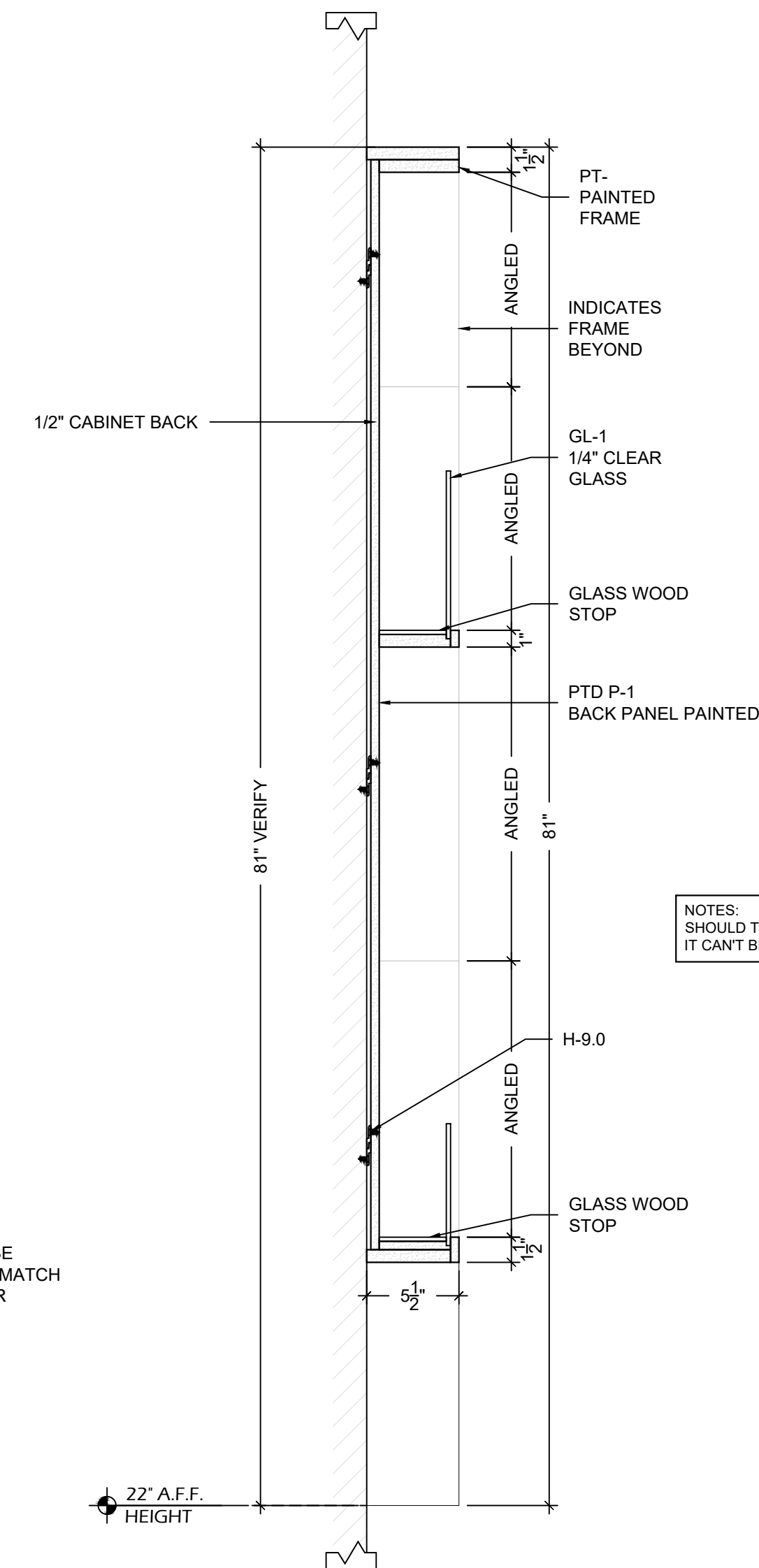
LP
4A LOCATION PLAN - LEVEL 1
SCALE: 1/8" = 1'-0" ARCH. REF.: 1/A2.0

FINISH INDEX

GL-1	1/4" CLEAR GLASS PLEASE PROVIDE SPECS
PT-	PAINT PLEASE PROVIDE SPECS

HARDWARE INDEX

H-9.0	ALUMINUM Z-CLIPS ANODIZED ALUMINUM
-------	---------------------------------------



A
4A SECTION
SCALE: 1-1/2" = 1'-0" ARCH. REF.: 9/AA6.2

PROJECT:

ARCHITECT / DESIGNER:

CONTRACTOR:

LOCATION

HALLWAY 204

ITEM

CANDY DISPENSER

PROJECT MANAGER:
XXX

DRAWN BY:
HD

SCALE:
AS NOTED

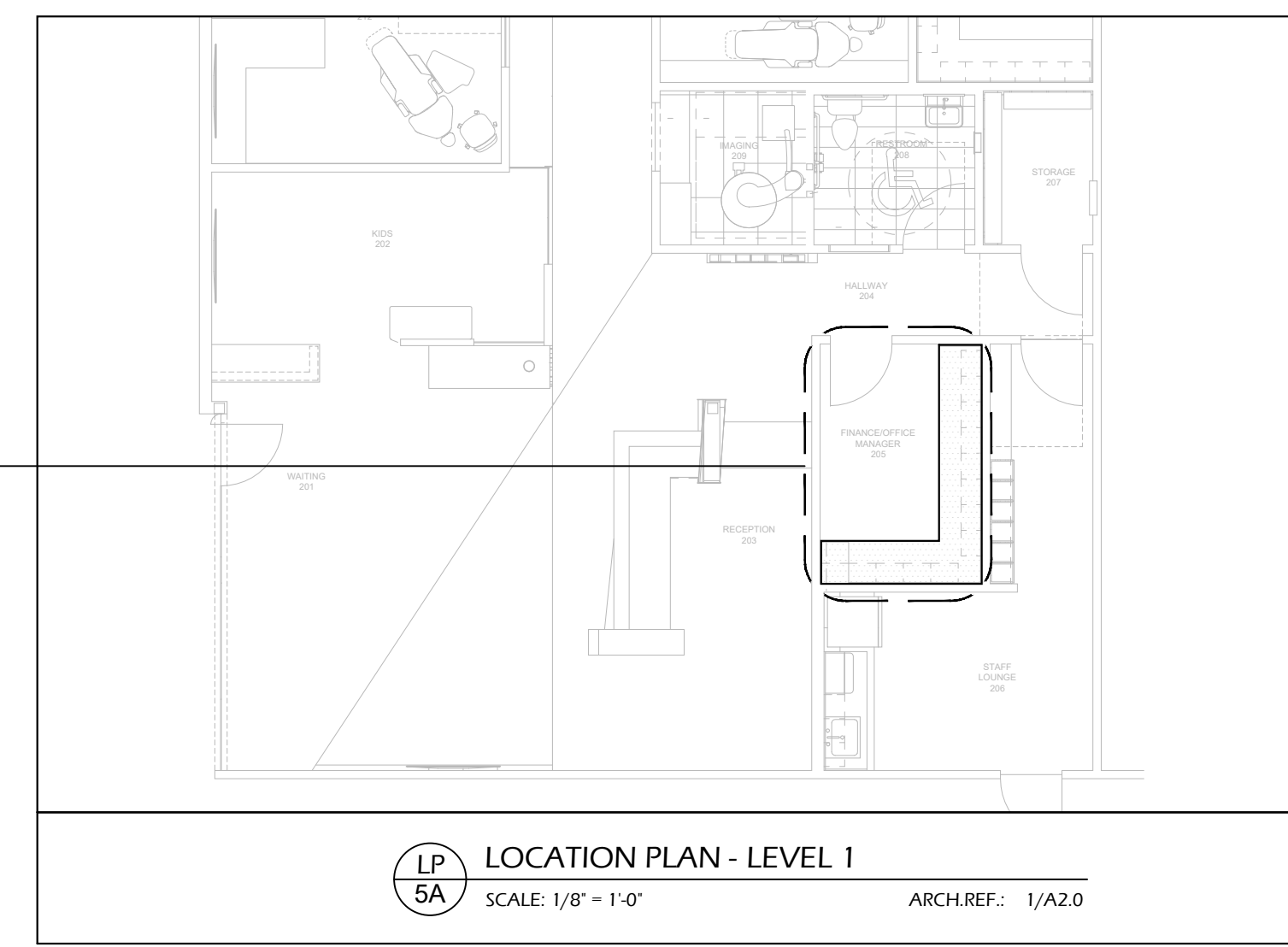
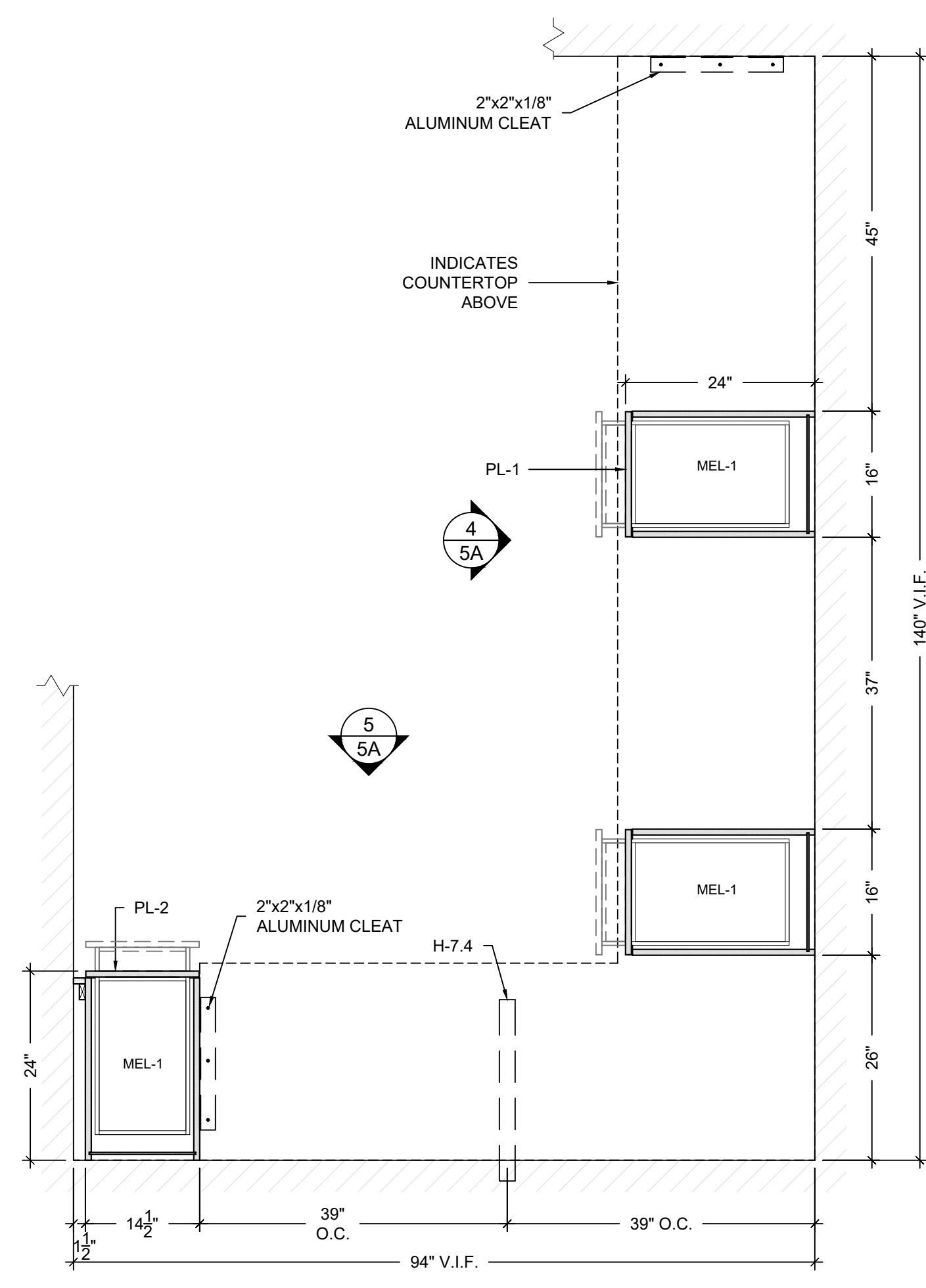
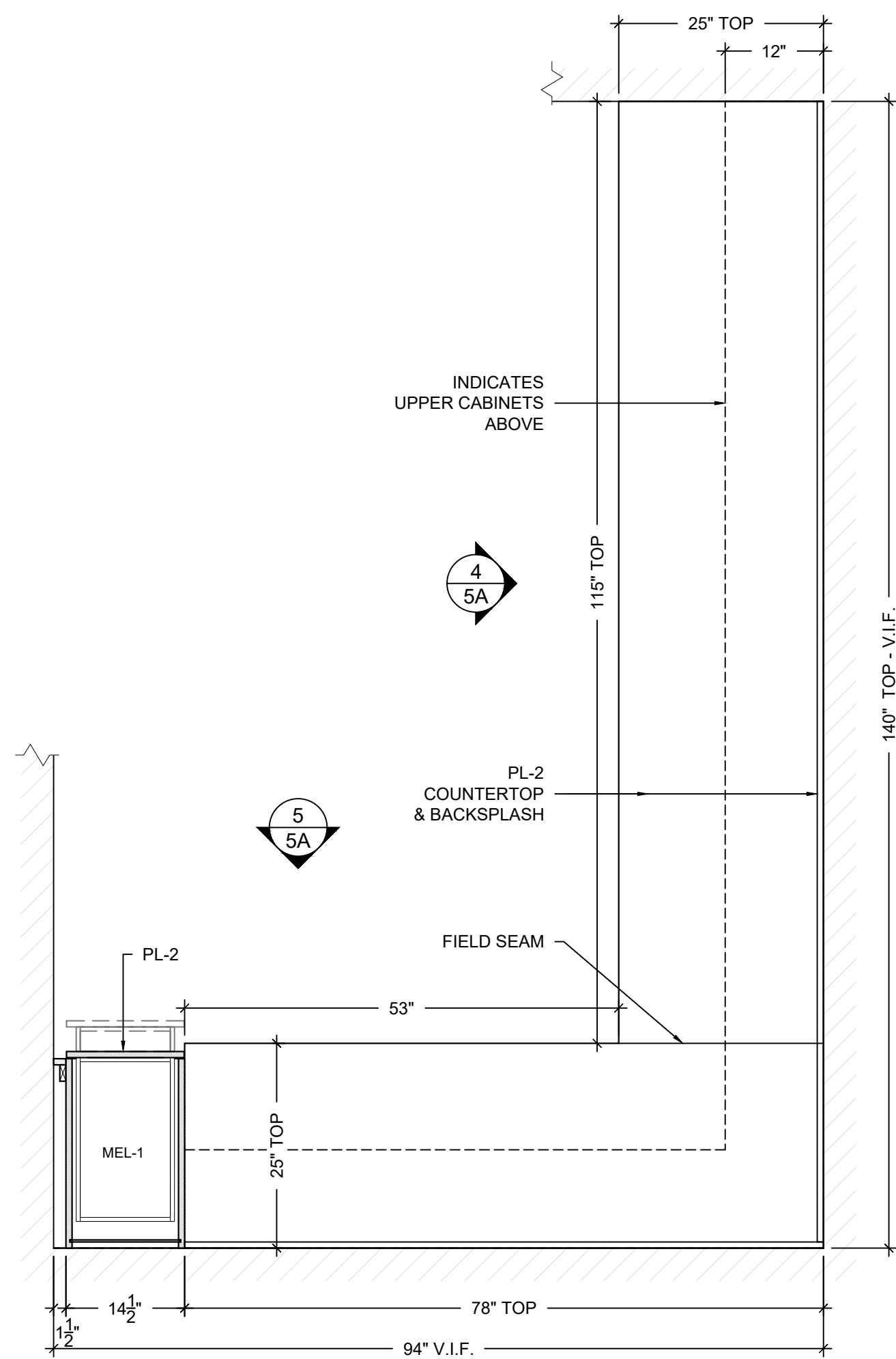
DATE DRAWN:
07/09/2020

REVISIONS:
#1: 10/08/2020

JOB NUMBER:
XXX

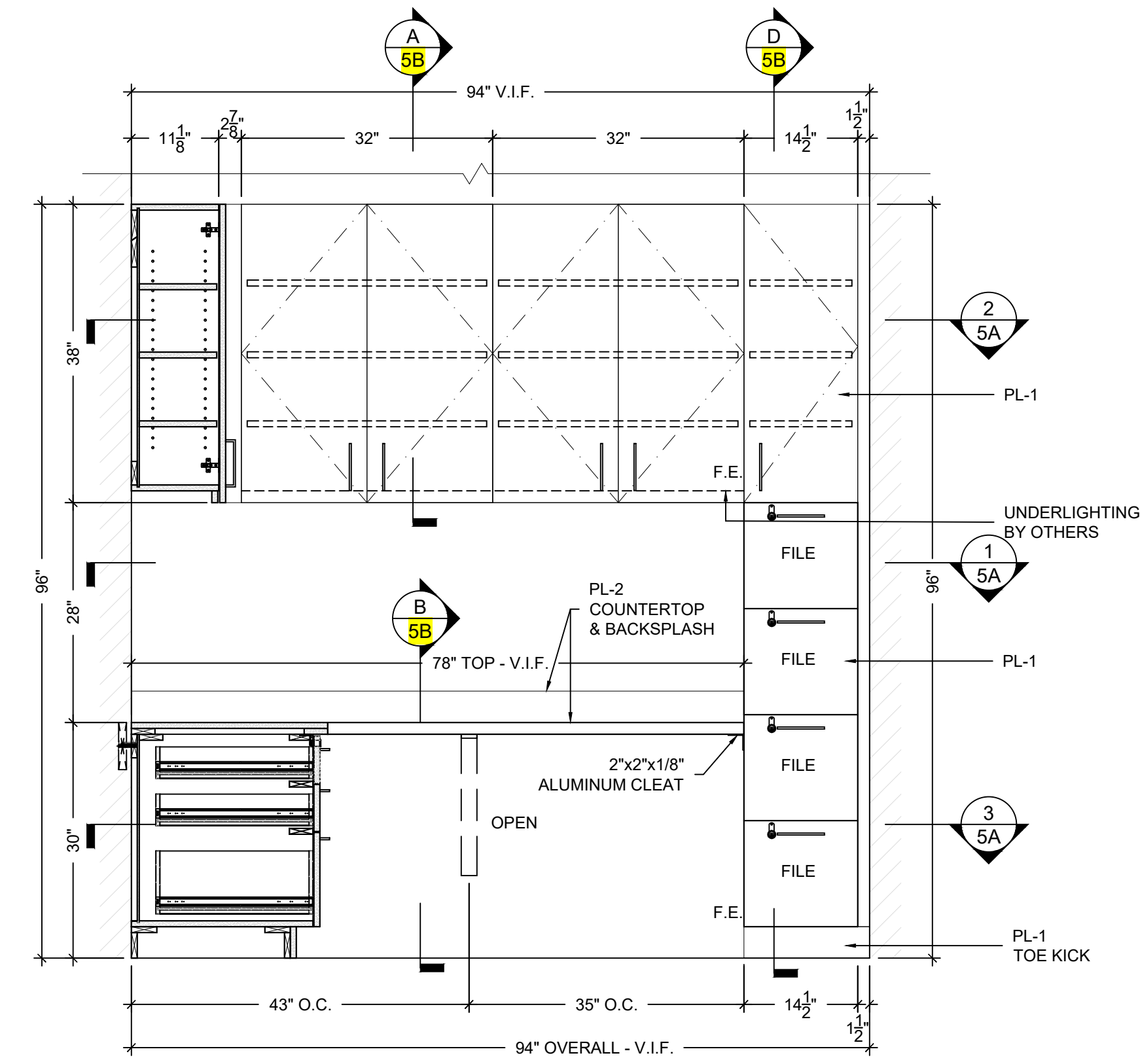
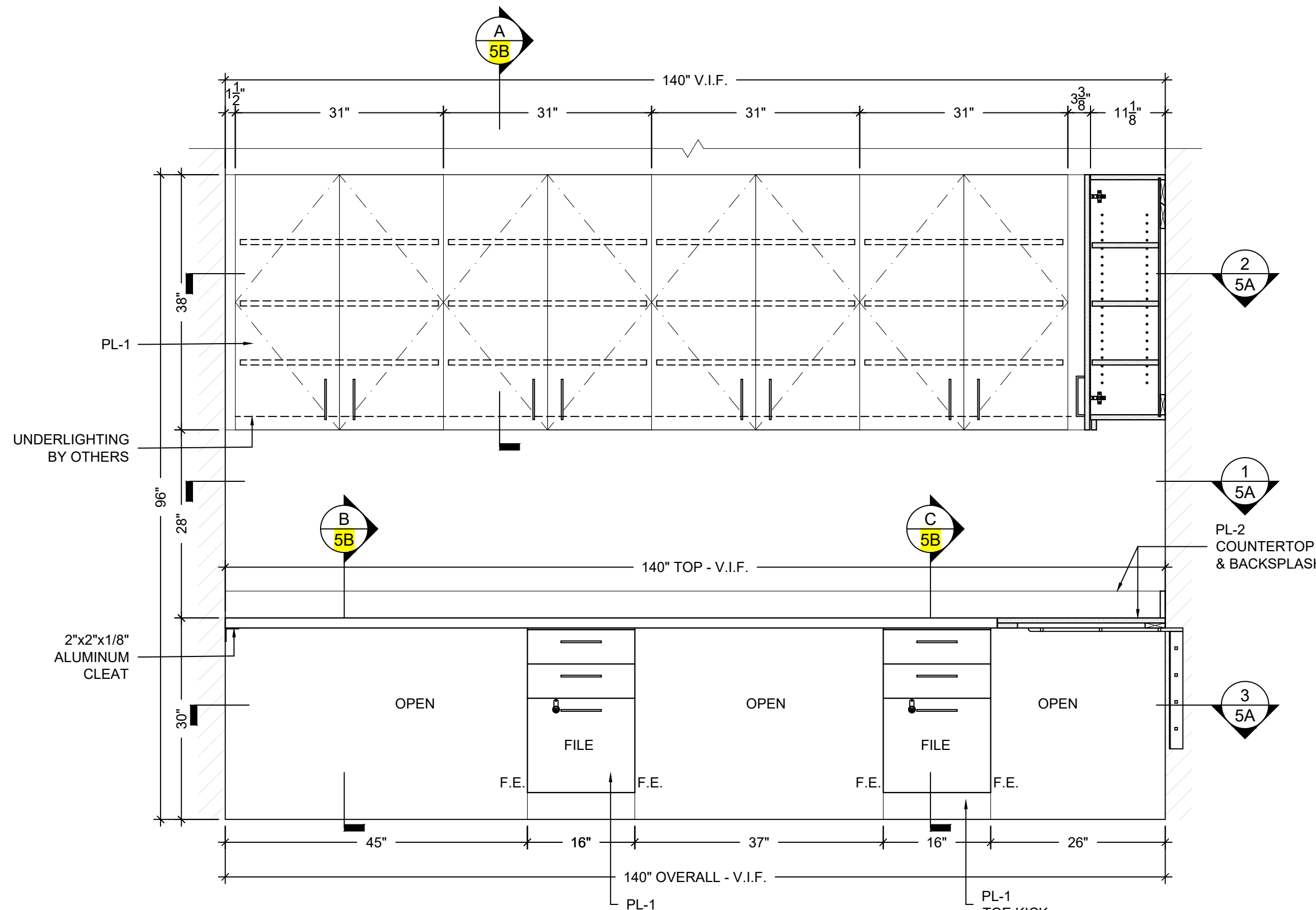
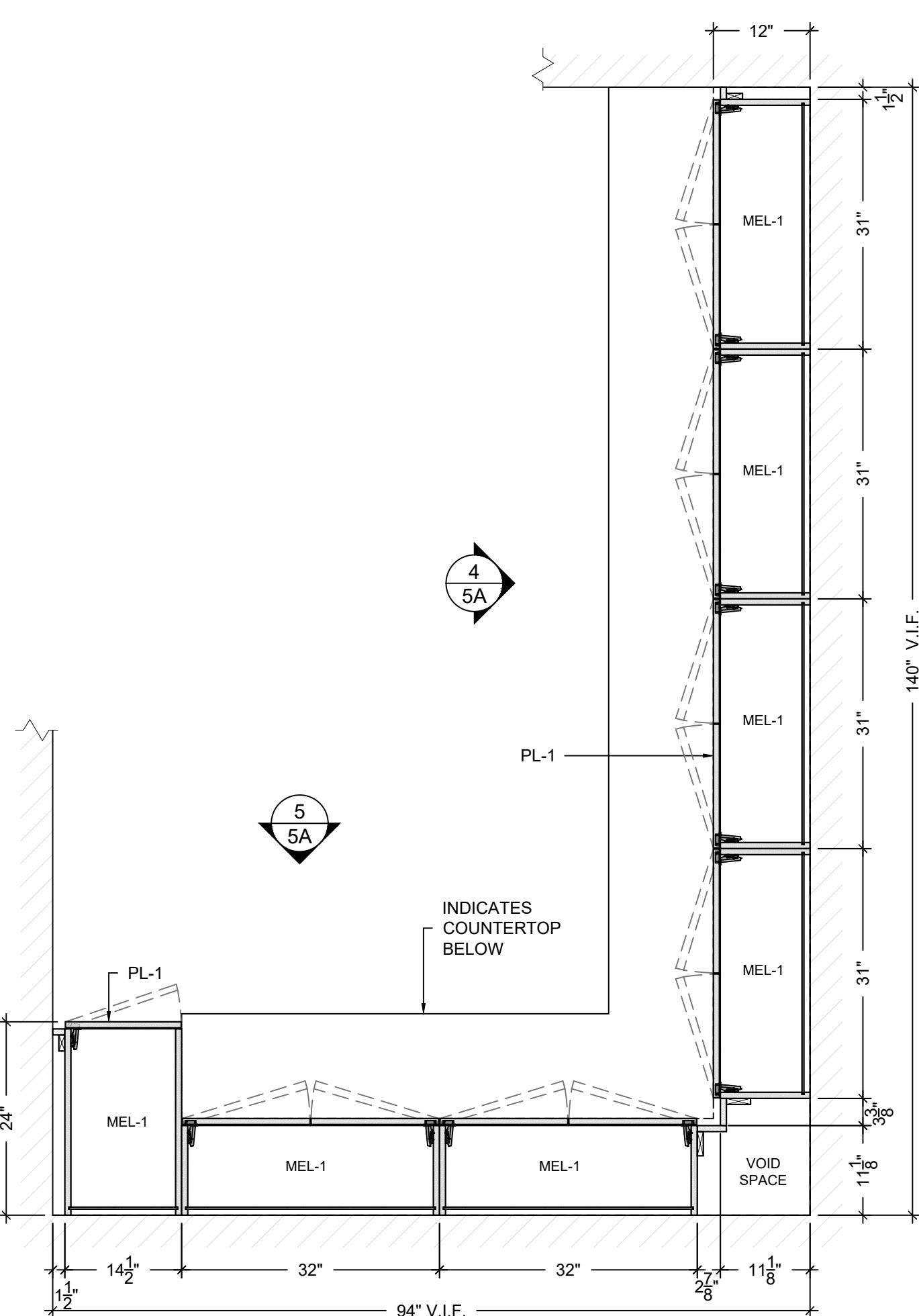
#2:
#3:
#4:
#5:
#6:
#7:
#8:

SHEET NUMBER:
4A



FINISH INDEX	
MEL-1	MELAMINE INTERIORS WHITE COLOR
PL-1	PLASTIC LAMINATE NEVAMAR - S7024G - CHALK WHITE - FINISH: GLOSS
PL-2	PLASTIC LAMINATE NEVAMAR - NM555-T024-SD THRUCOLOR - CHALK WHITE - TEXTURED/SJUEDE

HARDWARE INDEX	
H-1.0	CONCEALED EUROPEAN HINGE BLUM - 170° SWING
H-2.0	6" WIRE PULL DOUG MOCKETT - DP128 - MATTE CHROME
H-3.5	DRAWER SLIDES ACCURIDE 3832 100LBS FULL EXTENSION 20"
H-4.0	5mm SHELF PINS KV 332 ANO - ANOCHROME FINISH
H-5.1	HANGING FILE BRACKET HAFELE - 424-31-910 - STEEL, ZINC PLATED
H-5.2	HANGING FILE BAR ALUMINUM HAFELE - 422.74.900 - ALUMINUM - UNFINISHED
H-7.4	CONCEALED BRACKET A&M HARDWARE - C21 - 2.0
H-8.0	1-3/16" CAM LOCK - OVERLAY/FLUSH COMP-X - C8053 - BRIGHT NICKEL - KEYED ALIKE
H-10.0	PLASTIC BUMPERS DOOR & DRAWER BUMPERS - PLASTIC TRANSPARENT



PROJECT:

ARCHITECT / DESIGNER:

CONTRACTOR:

LOCATION

OFFICE MANAGER 208

ITEM

CASEWORK

PROJECT MANAGER:
XXX

DRAWN BY:
HD

SCALE:
AS NOTED

DATE DRAWN:
07/09/2020

REVISIONS:
#1: 10/08/2020

JOB NUMBER:
XXX

#2:
#3:
#4:
#5:
#6:
#7:
#8:

SHEET NUMBER:

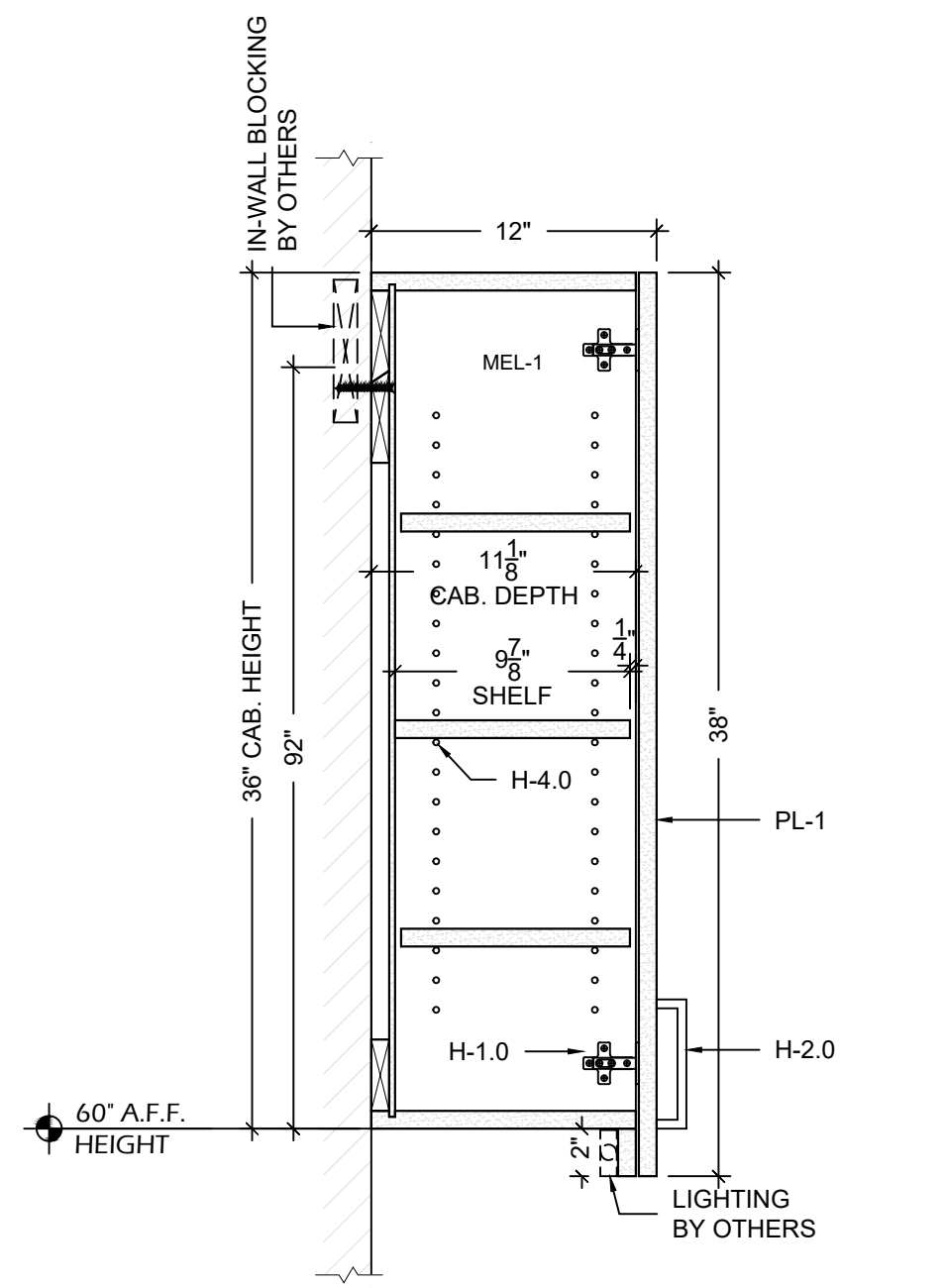
5A

FINISH INDEX

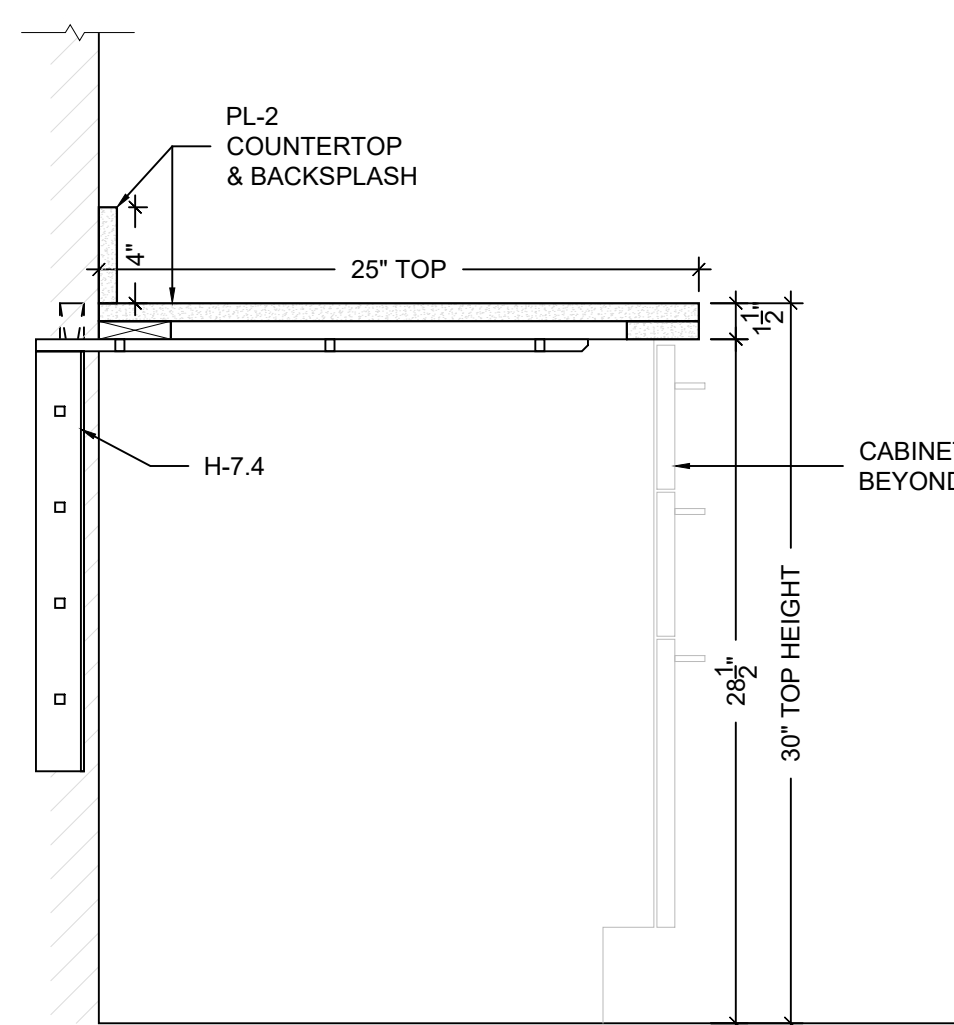
MEL-1	MELAMINE INTERIORS WHITE COLOR
PL-1	PLASTIC LAMINATE NEVAMAR - S7024G - CHALK WHITE - FINISH: GLOSS
PL-2	PLASTIC LAMINATE NEVAMAR - NM555-T024-SD THRUCOLOR - CHALK WHITE - TEXTURED/SUEDE

HARDWARE INDEX

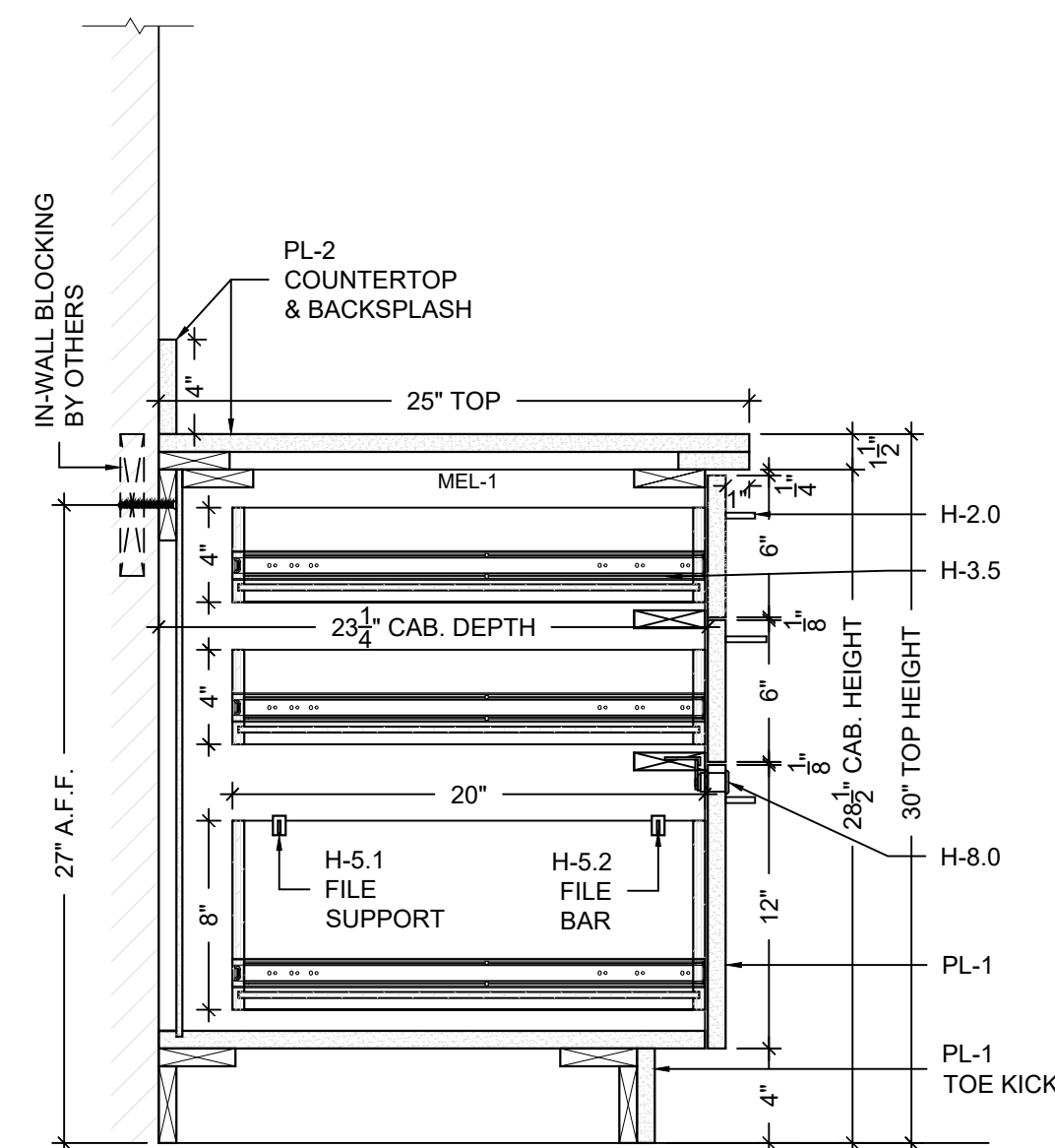
H-1.0	CONCEALED EUROPEAN HINGE BLUM - 170° SWING
H-2.0	6" WIRE PULL DOUG MOCKETT - DP128 - MATTE CHROME
H-3.5	DRAWER SLIDES ACCURIDE 3832 100LBS FULL EXTENSION 20"
H-4.0	5mm SHELF PINS KV 332 ANO - ANOCHROME FINISH
H-5.1	HANGING FILE BRACKET HAFELE - 424-31-910 - STEEL, ZINC PLATED
H-5.2	HANGING FILE BAR ALUMINUM HAFELE - 422.74.900 - ALUMINUM - UNFINISHED
H-7.4	CONCEALED BRACKET A&M HARDWARE - C21 - 2.0
H-8.0	1-3/16" CAM LOCK - OVERLAY/FLUSH COMP-X - C8053 - BRIGHT NICKEL - KEYED ALIKE
H-10.0	PLASTIC BUMPERS DOOR & DRAWER BUMPERS - PLASTIC TRANSPARENT



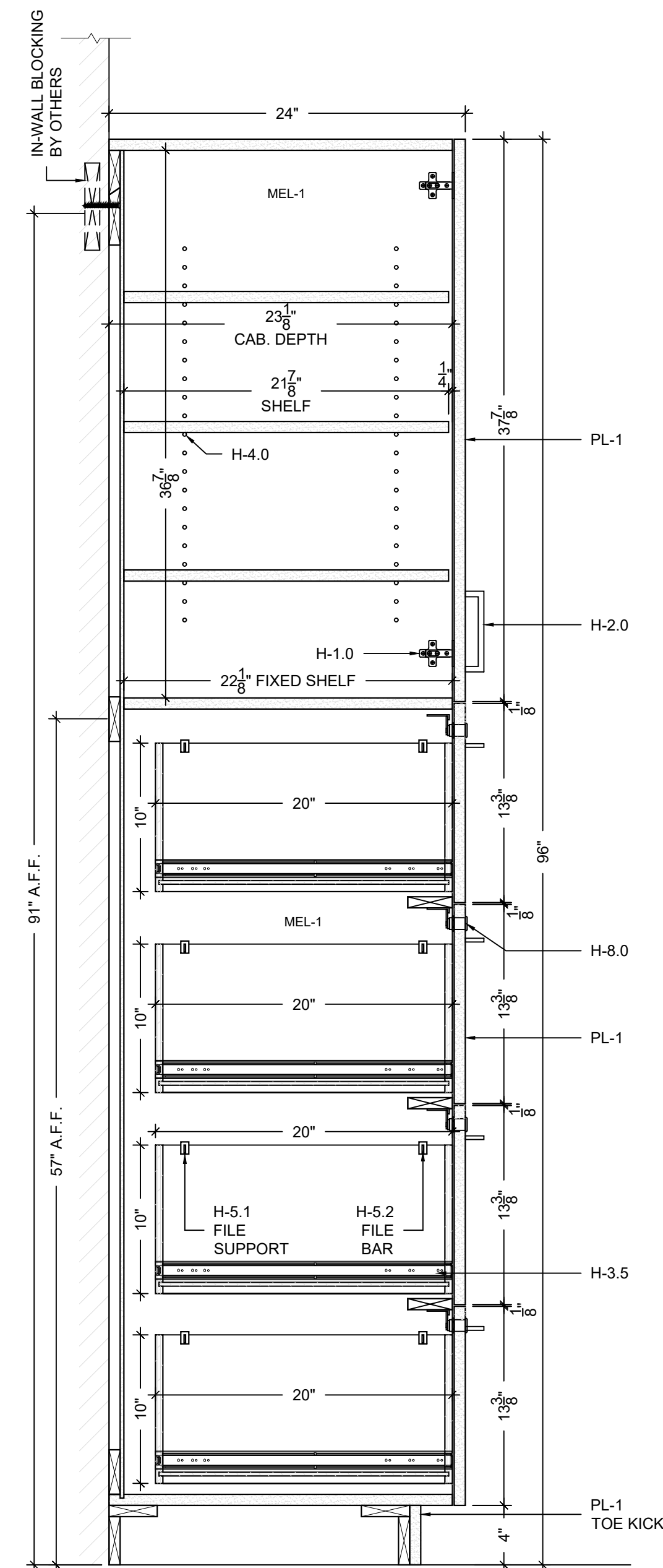
A SECTION
5B SCALE: 1-1/2" = 1'-0" ARCH. REF.: NONE



B SECTION
5B SCALE: 1-1/2" = 1'-0" ARCH. REF.: NONE



C SECTION
5B SCALE: 1-1/2" = 1'-0" ARCH. REF.: NONE



D SECTION
5B SCALE: 1-1/2" = 1'-0" ARCH. REF.: NONE

PRO IFC.T.

ARCHITECT / DESIGNER

CONTRACTOR

LOCATION

OFFICE MANAGER 208

ITEM

CASEWORK

PROJECT MANAGER:
XXX

DRAWN BY:
HD

SCALE:
AS NOTED

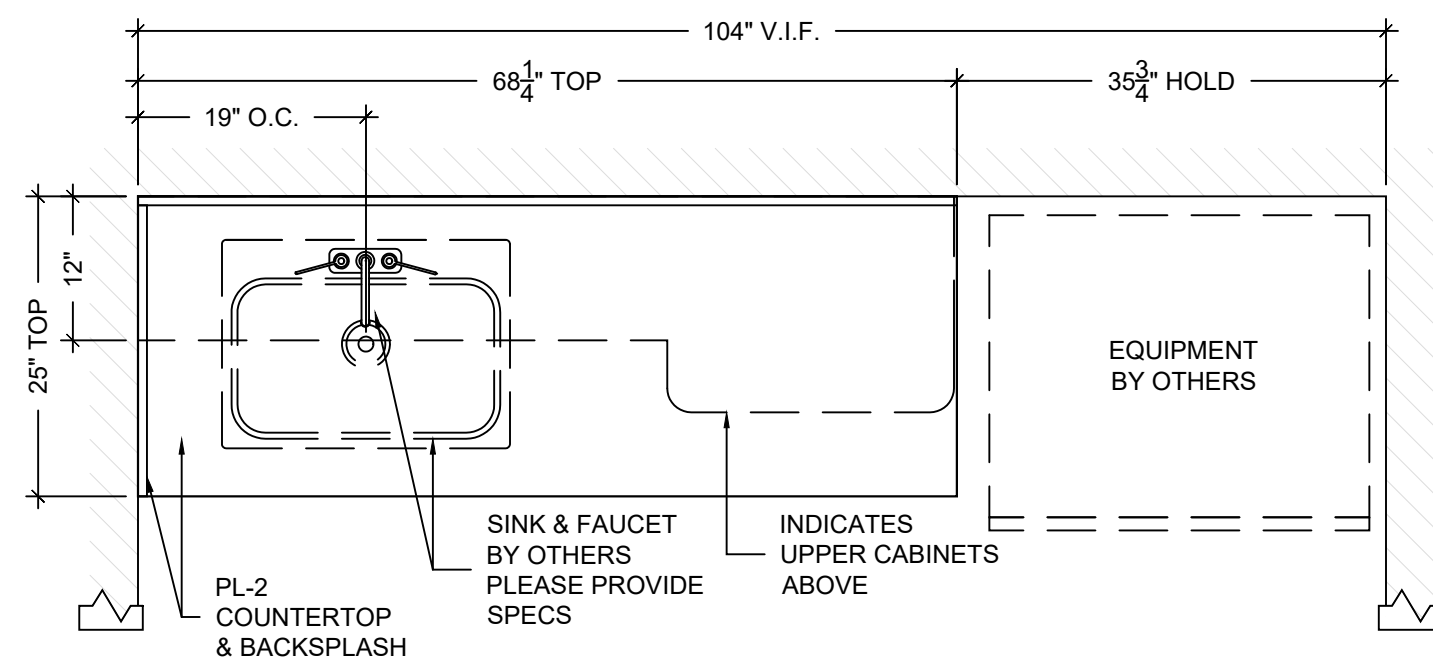
DATE DRAWN:
07/09/2020

REVISIONS:
#1: 10/08/2020
#2:
#3:
#4:
#5:
#6:
#7:
#8:

JOB NUMBER:
XXX

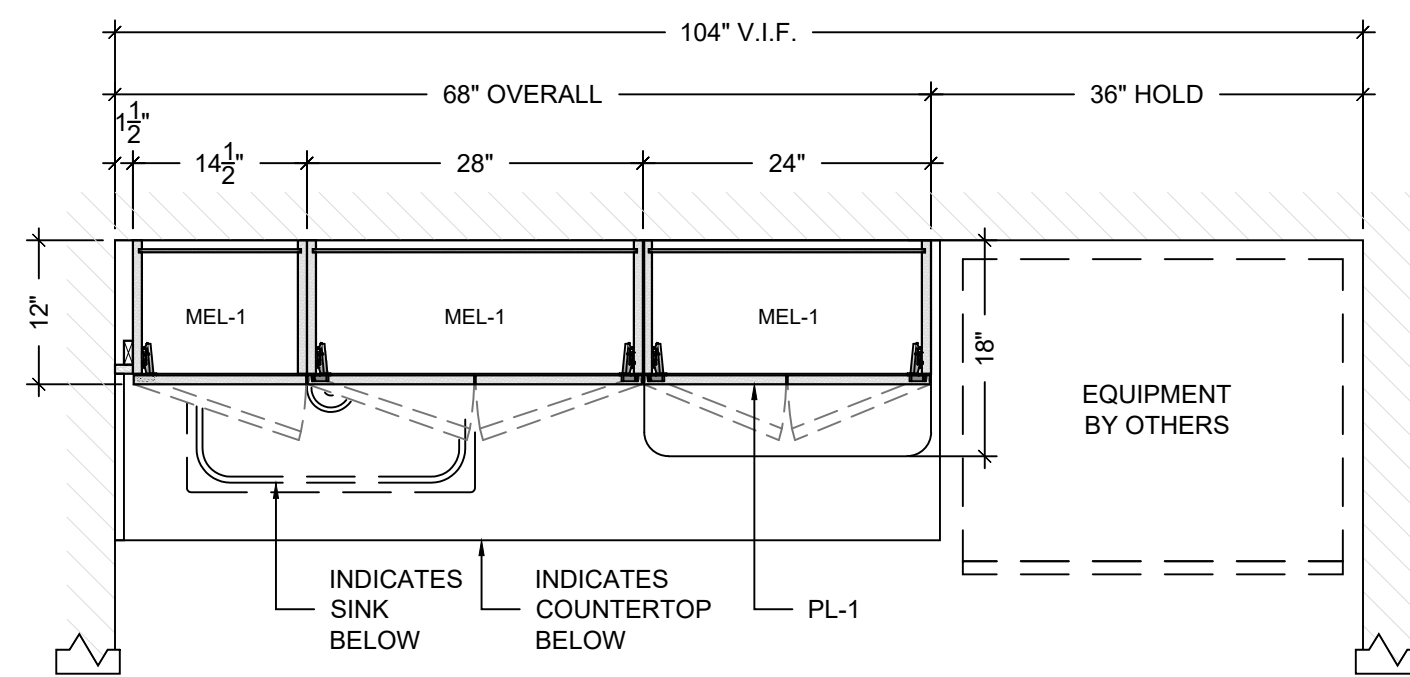
SHEET NUMBER:

5B



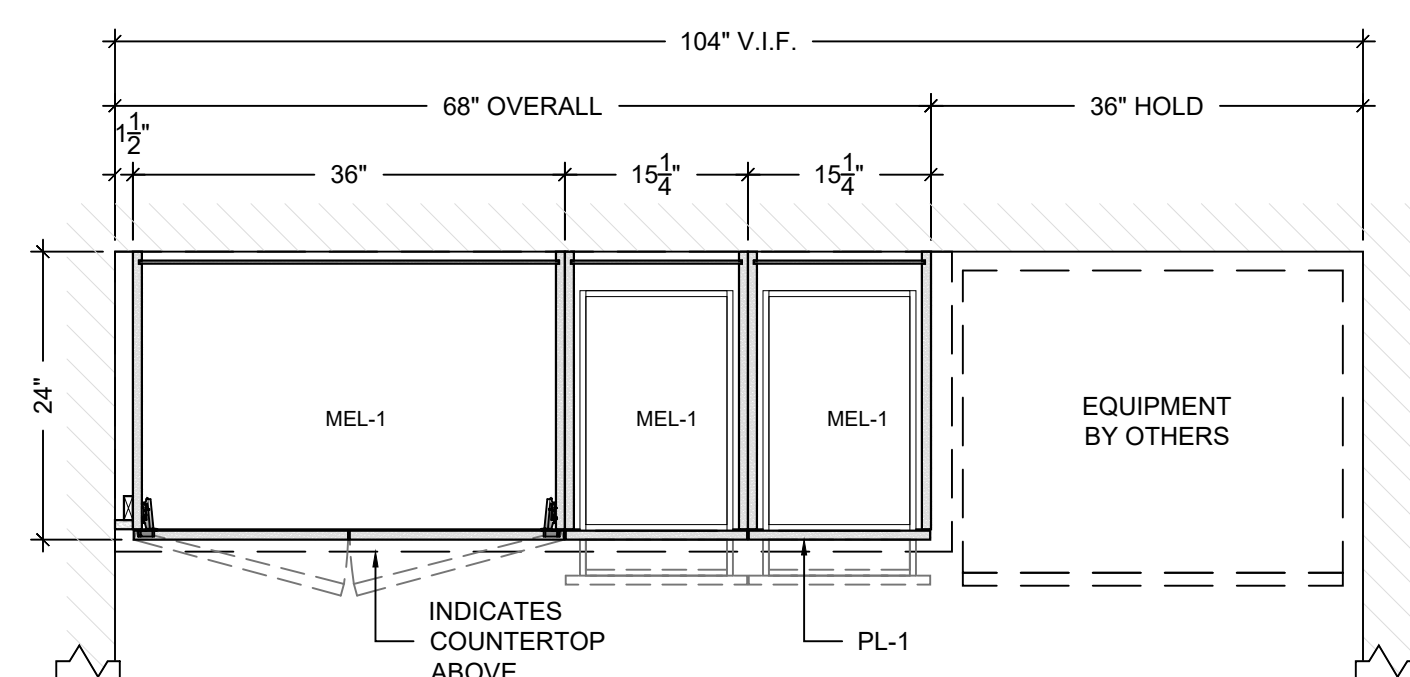
4
6A

1 PLAN VIEW - CASEWORK @ STAFLOUNGE 206F
SCALE: 3/4" = 1'-0" ARCH.REF. 1/A2.0



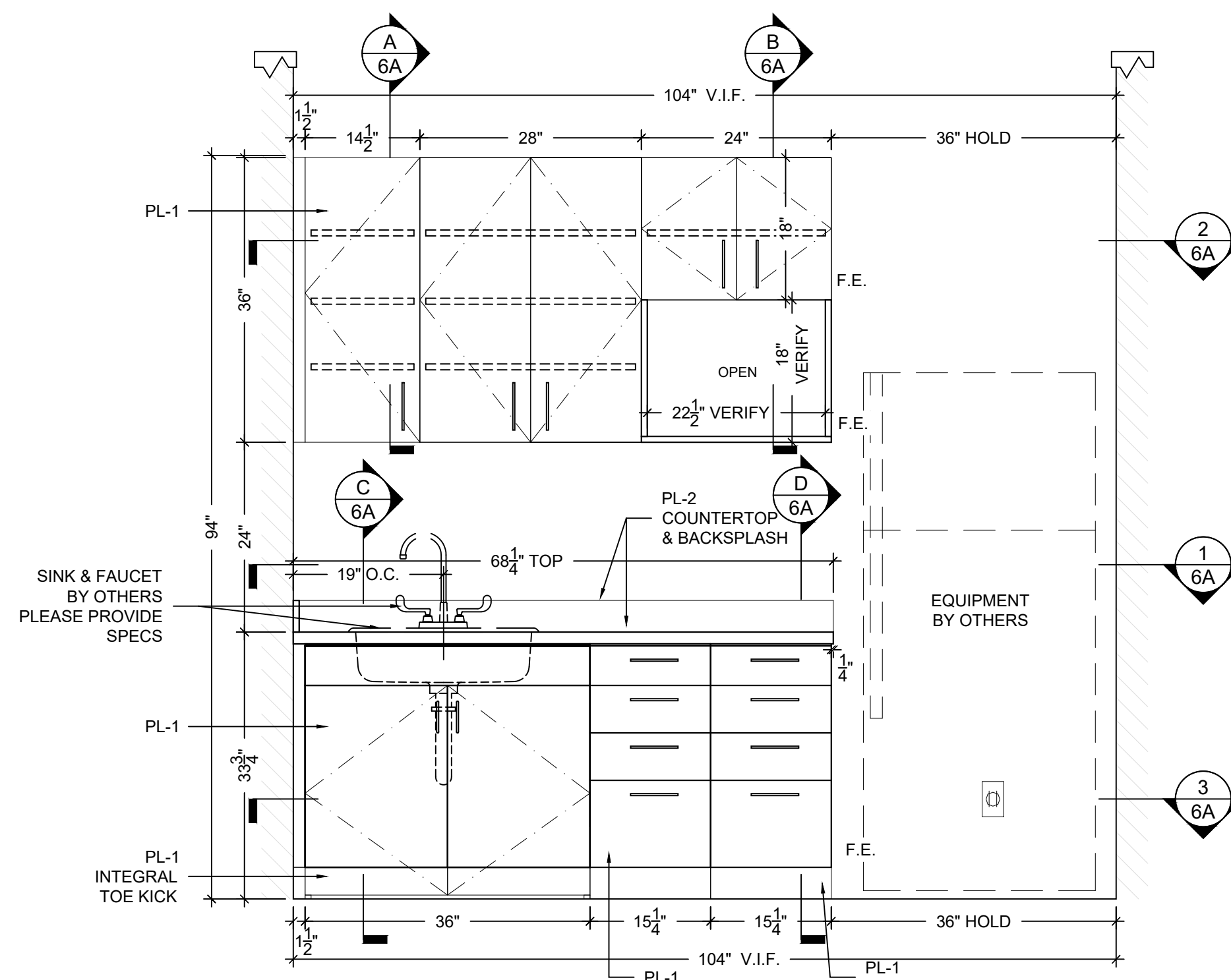
4
6A

2 PLAN SECTION - CASEWORK @ STAFLOUNGE 206F
SCALE: 3/4" = 1'-0" ARCH.REF. NONE

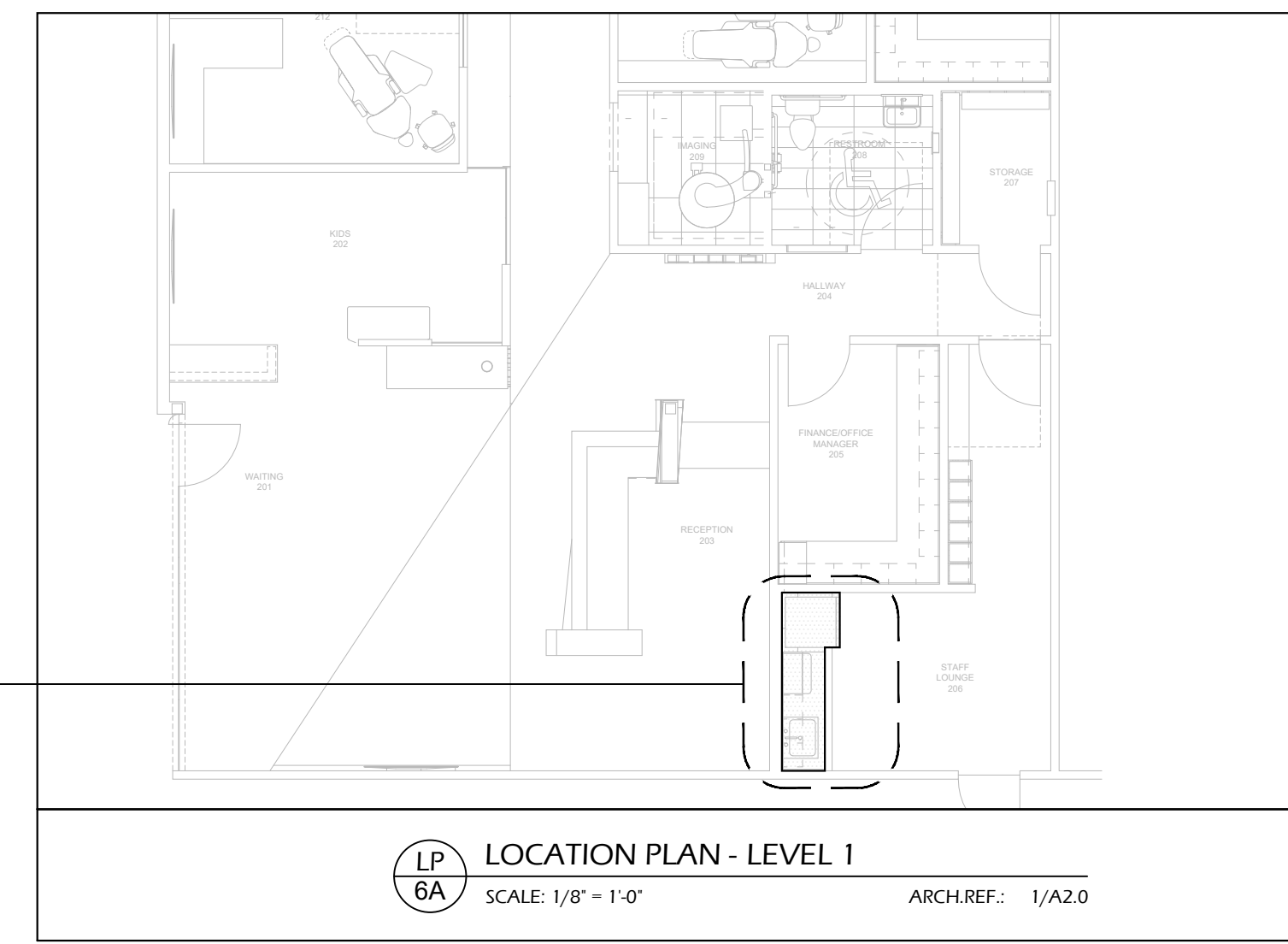


4
6A

3 PLAN SECTION - CASEWORK @ STAFLOUNGE 206F
SCALE: 3/4" = 1'-0" ARCH.REF. NONE



4 ELEVATION - CASEWORK @ STAFLOUNGE 206F
SCALE: 3/4" = 1'-0" ARCH.REF. 14/A6.0

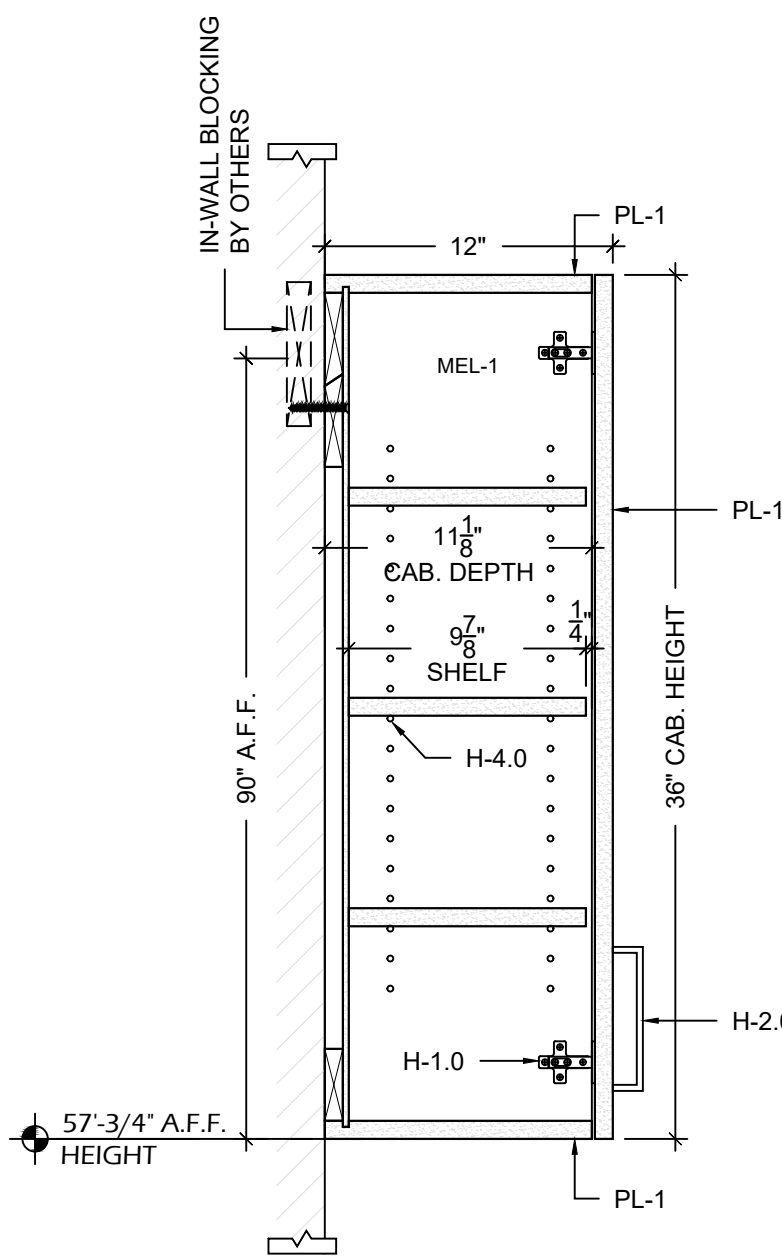


FINISH INDEX

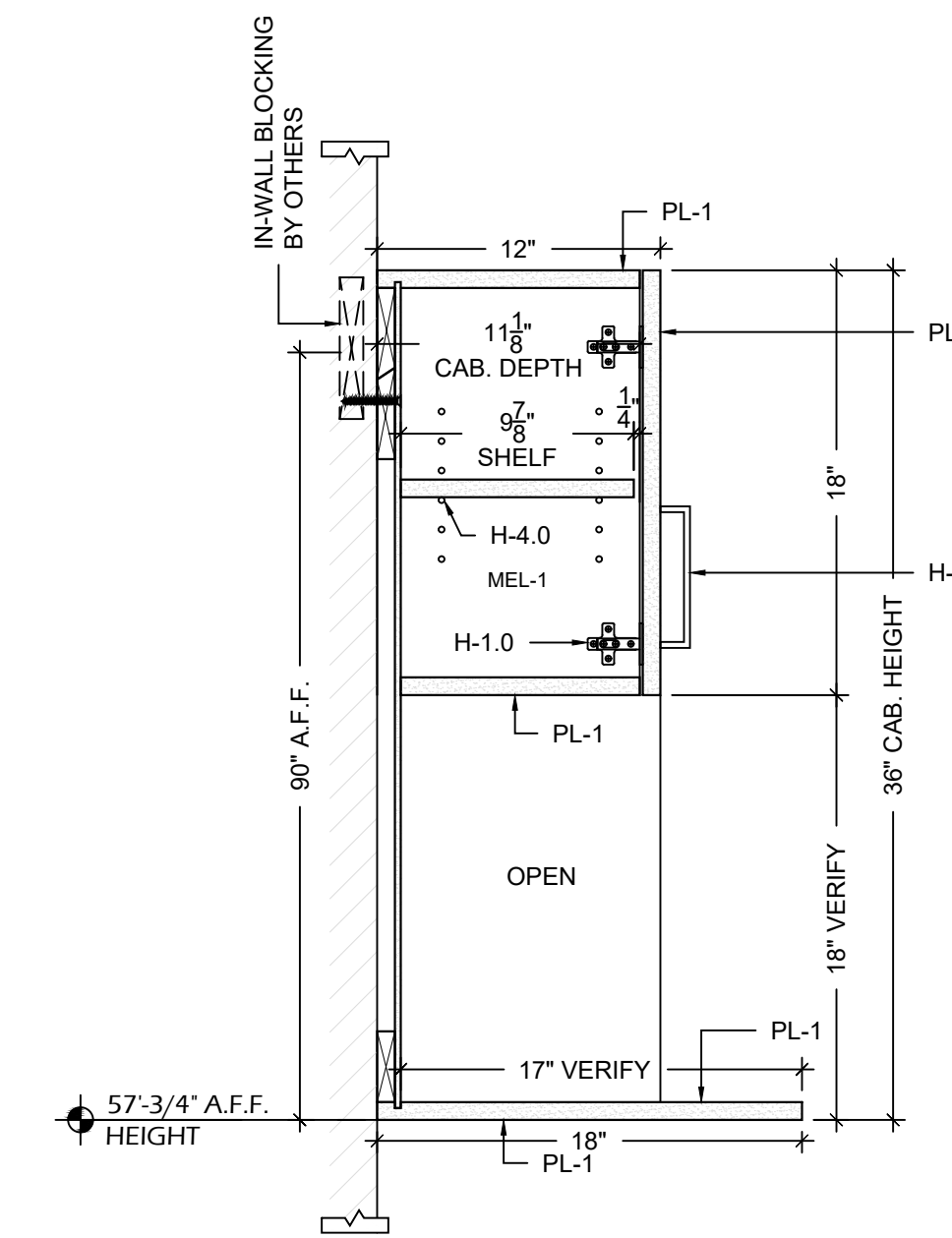
MEL-1	MELAMINE INTERIORS WHITE COLOR
PL-1	PLASTIC LAMINATE NEVAMAR - S7024G - CHALK WHITE - FINISH: GLOSS
PL-2	PLASTIC LAMINATE NEVAMAR - NM555-T024-SD THRUCOLOR - CHALK WHITE - TEXTURED/SUEDE

HARDWARE INDEX

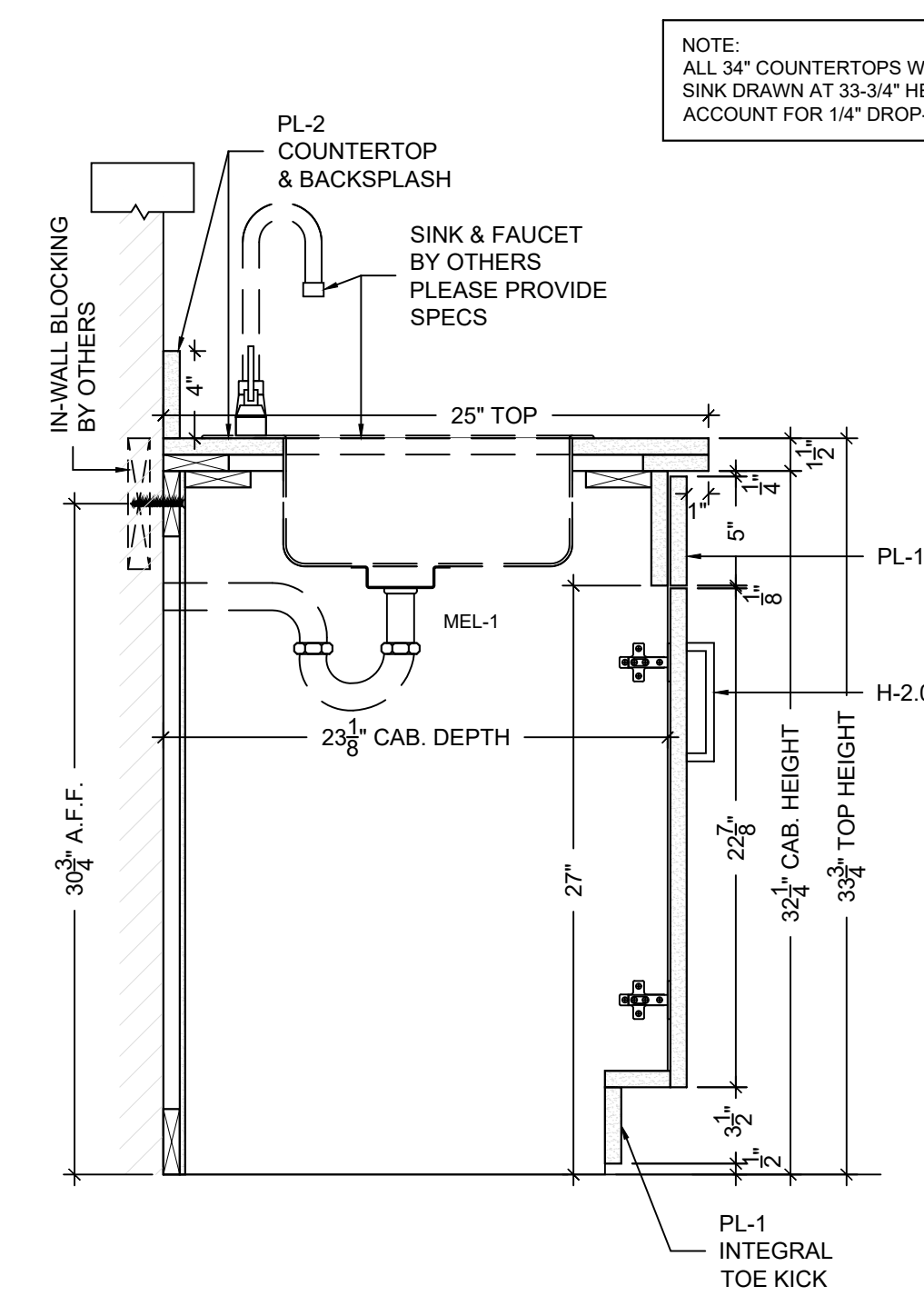
H-1.0	CONCEALED EUROPEAN HINGE BLUM - 170° SWING
H-2.0	8" WIRE PULL DOUG MOCKETT - DP128 - MATTE CHROME
H-3.5	DRAWER SLIDES ACCURIDE 3832 100LBS FULL EXTENSION 20"
H-4.0	5mm SHELF PINS KV 332 ANO - ANOCHROME FINISH
H-10.0	PLASTIC BUMPERS DOOR & DRAWER BUMPERS - PLASTIC TRANSPARENT



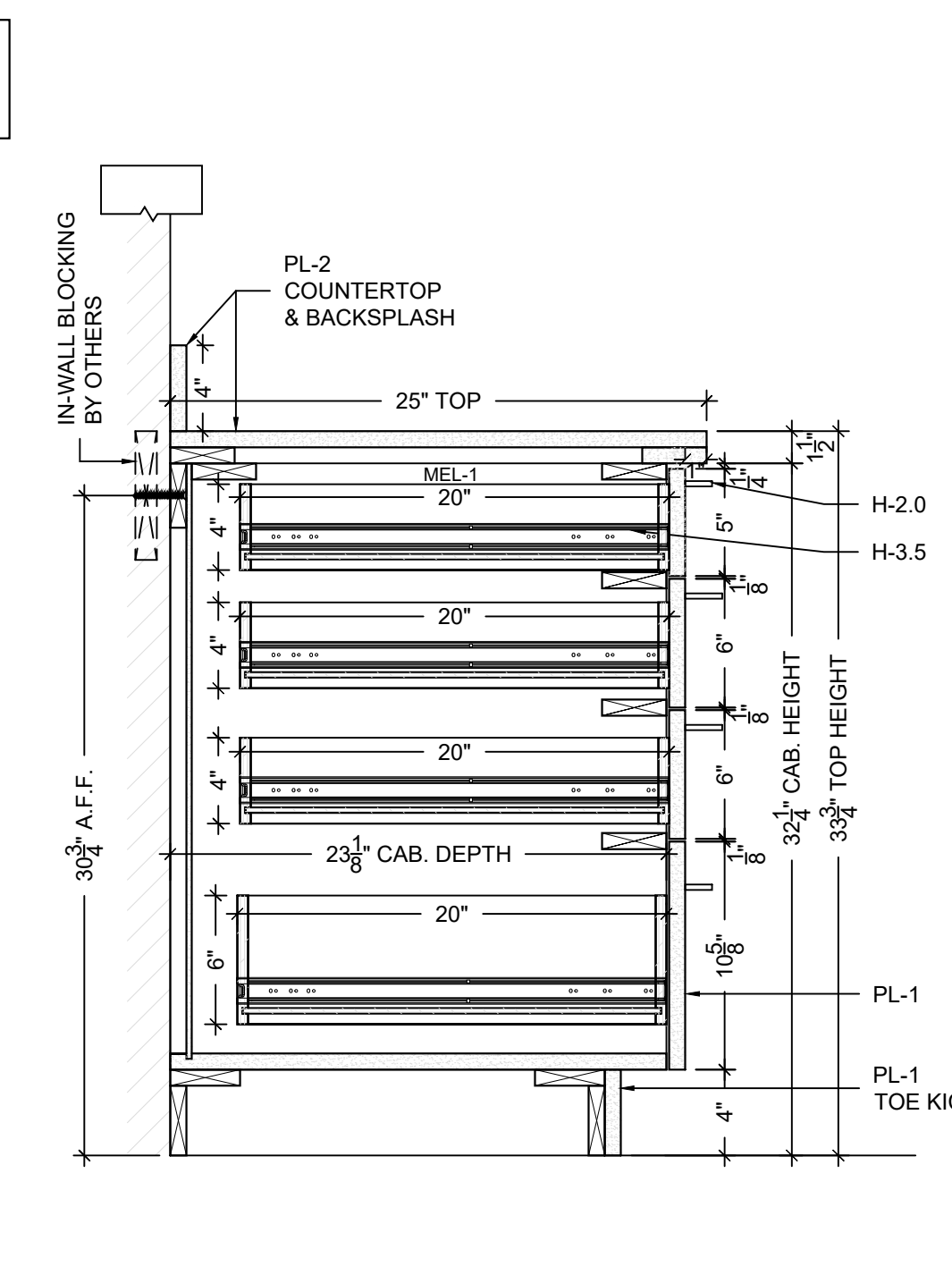
A SECTION
6A SCALE: 1-1/2" = 1'-0" ARCH.REF.: NONE



B SECTION
6A SCALE: 1-1/2" = 1'-0" ARCH.REF.: NONE



C SECTION
6A SCALE: 1-1/2" = 1'-0" ARCH.REF.: NONE



D SECTION
6A SCALE: 1-1/2" = 1'-0" ARCH.REF.: NONE

PROJECT:

ARCHITECT / DESIGNER:

CONTRACTOR:

LOCATION

STAFF LOUNGE 206

ITEM

CASEWORK

PROJECT MANAGER:

XXX

DRAWN BY:

HD

SCALE:

AS NOTED

DATE DRAWN:

07/09/2020

REVISIONS:

#1: 10/08/2020

JOB NUMBER:

XXX

#2:

#3:

#4:

#5:

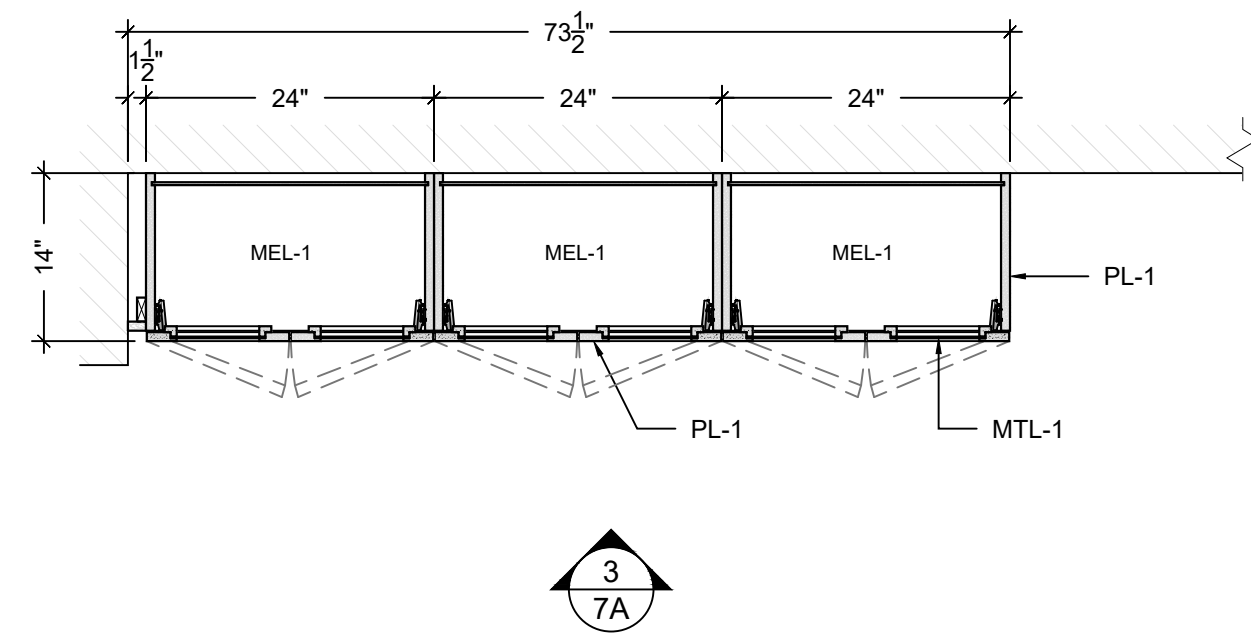
#6:

#7:

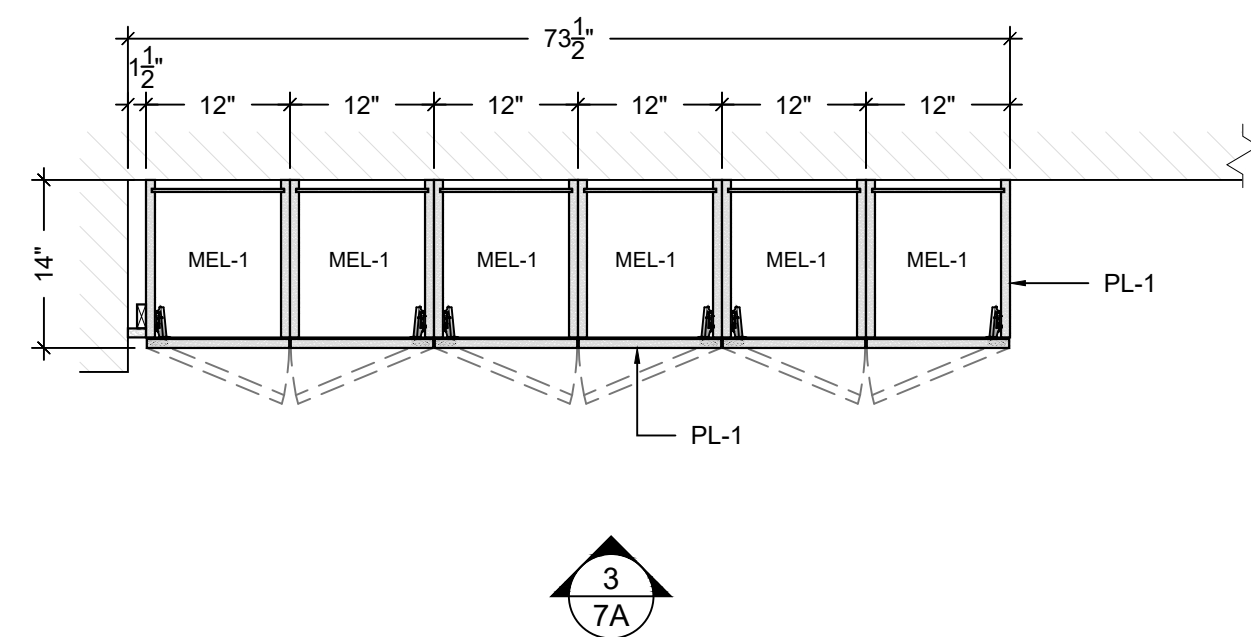
#8:

SHEET NUMBER:

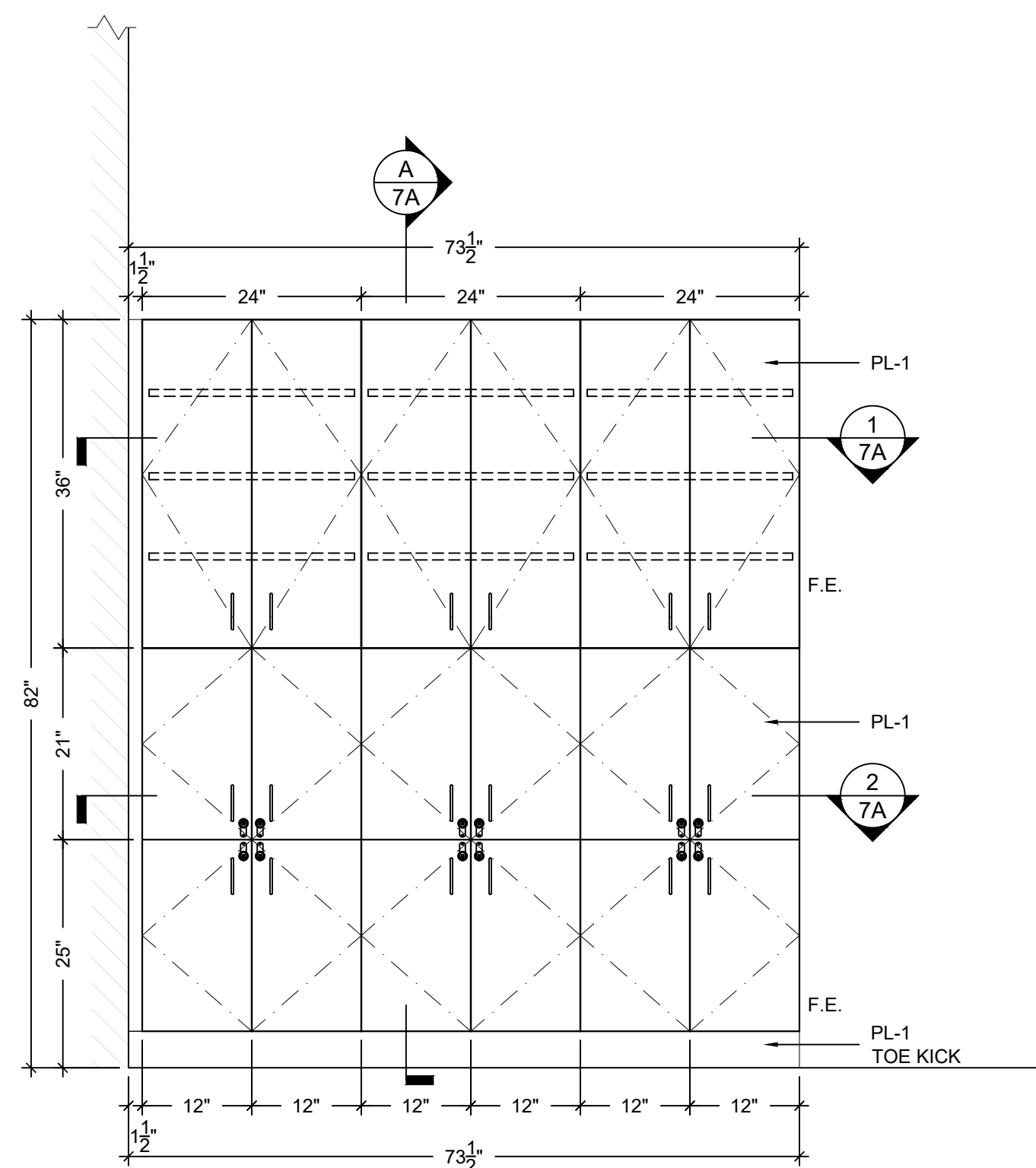
6A



1
7A PLAN SECTION - LOCKERS @ STAFF LOUNGE 206
SCALE: 3/4" = 1'-0" ARCH. REF: 1/A2.0

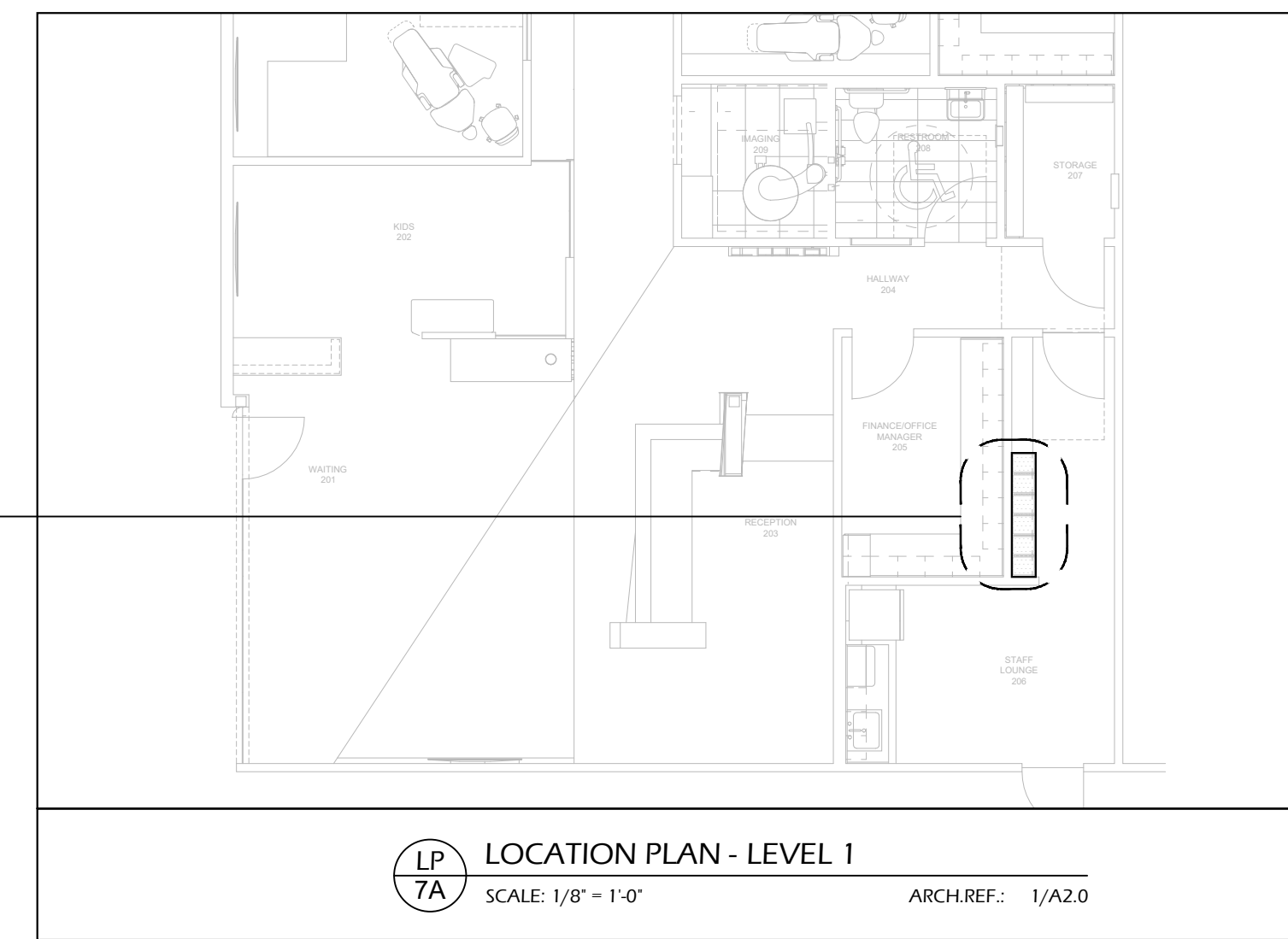


2
7A PLAN SECTION - LOCKERS @ STAFF LOUNGE 206
SCALE: 3/4" = 1'-0" ARCH. REF: 1/A2.0



3
7A ELEVATION - LOCKERS @ STAFF LOUNGE 206
SCALE: 3/4" = 1'-0" ARCH. REF: 14/A6.0

1
7A



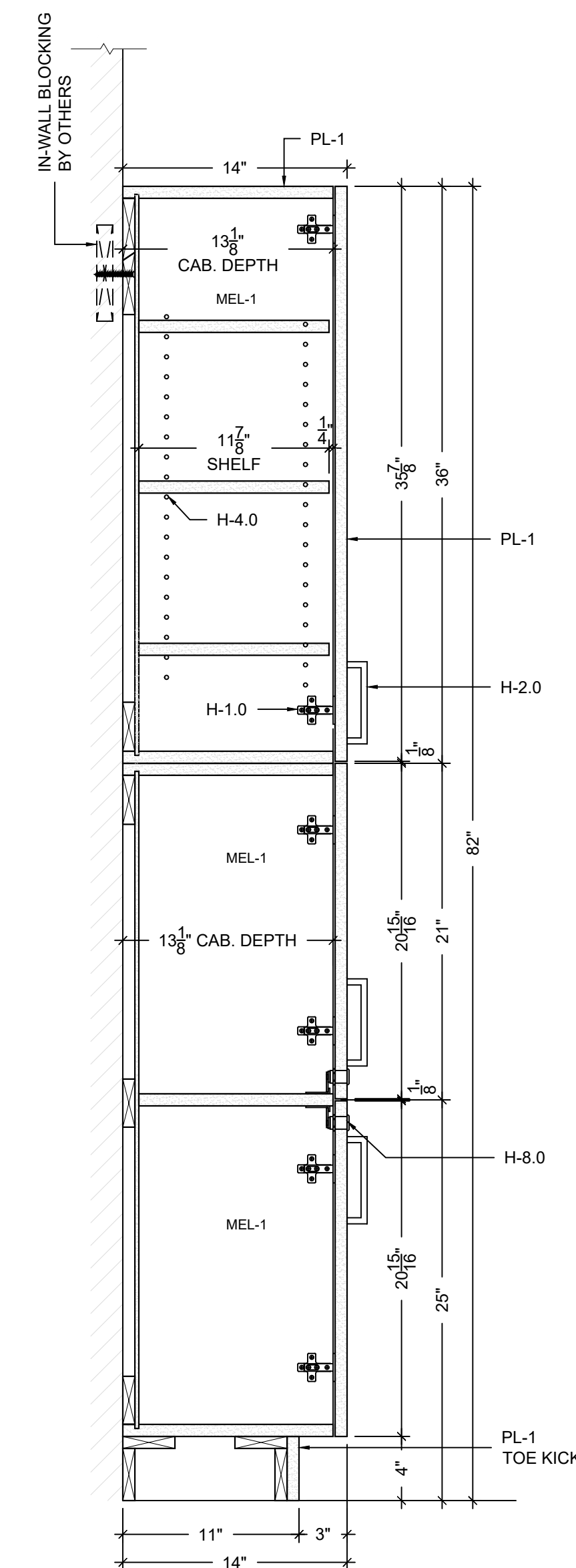
LP
7A LOCATION PLAN - LEVEL 1
SCALE: 1/8" = 1'-0" ARCH. REF: 1/A2.0

FINISH INDEX

MEL-1	MELAMINE INTERIORS WHITE COLOR
PL-1	PLASTIC LAMINATE NEVAMAR - S7024G - CHALK WHITE - FINISH: GLOSS

HARDWARE INDEX

H-1.0	CONCEALED EUROPEAN HINGE BLUM - 170° SWING
H-2.0	6" WIRE PULL DOUG MOCKETT - DP128 - MATTE CHROME
H-4.0	5mm SHELF PINS KV 332 ANO - ANOCHROME FINISH
H-8.0	1-3/16" CAM LOCK - OVERLAY/FLUSH COMP-X - C8053 - BRIGHT NICKEL - KEYPED ALIKE
H-10.0	PLASTIC BUMPERS DOOR & DRAWER BUMPERS - PLASTIC TRANSPARENT



A
7A SECTION
SCALE: 1-1/2" = 1'-0" ARCH. REF: NONE

PROJECT:

ARCHITECT / DESIGNER:

CONTRACTOR:

LOCATION

STAFF LOUNGE 206

ITEM

LOCKERS

PROJECT MANAGER:
XXX

DRAWN BY:
HD

SCALE:
AS NOTED

DATE DRAWN:
07/09/2020

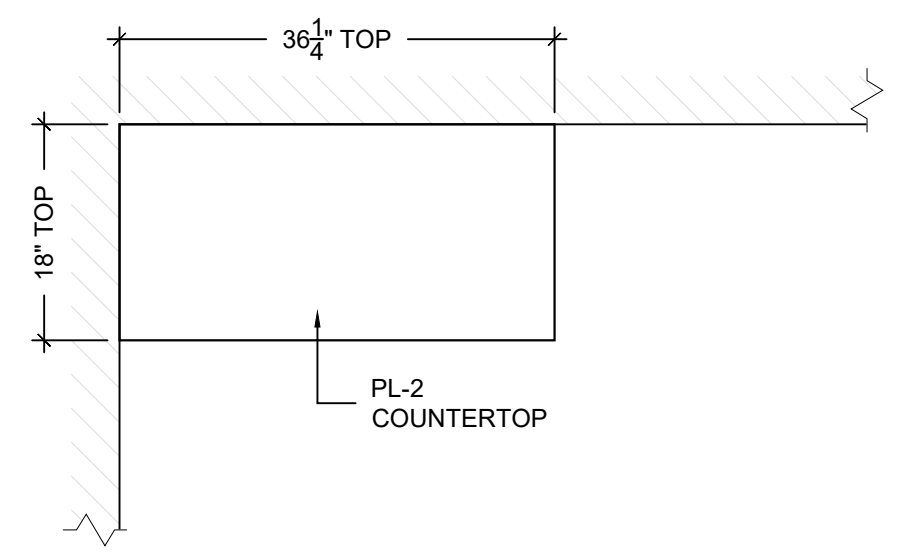
REVISIONS:
#1: 10/08/2020

JOB NUMBER:
XXX

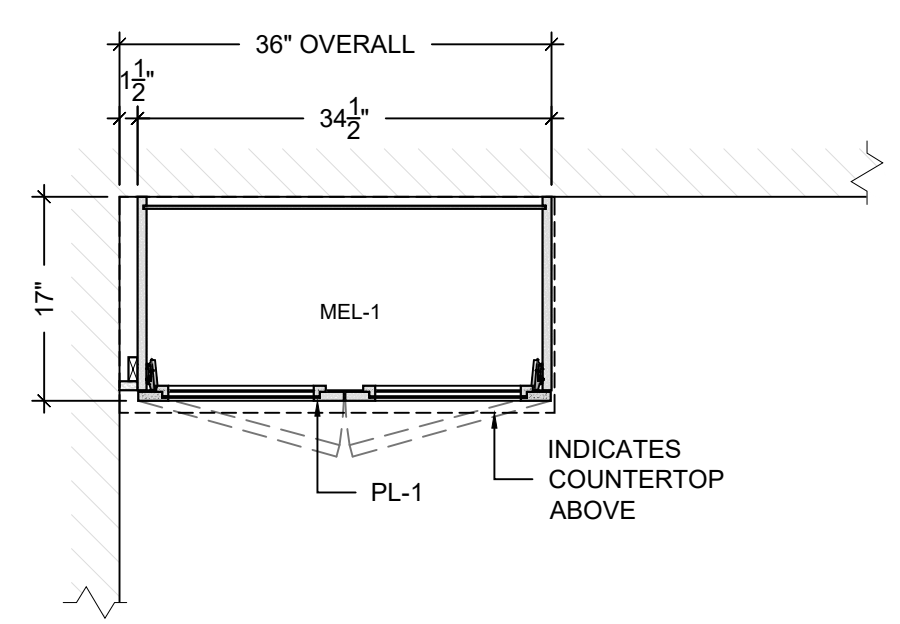
#2:
#3:
#4:
#5:
#6:
#7:
#8:

SHEET NUMBER:

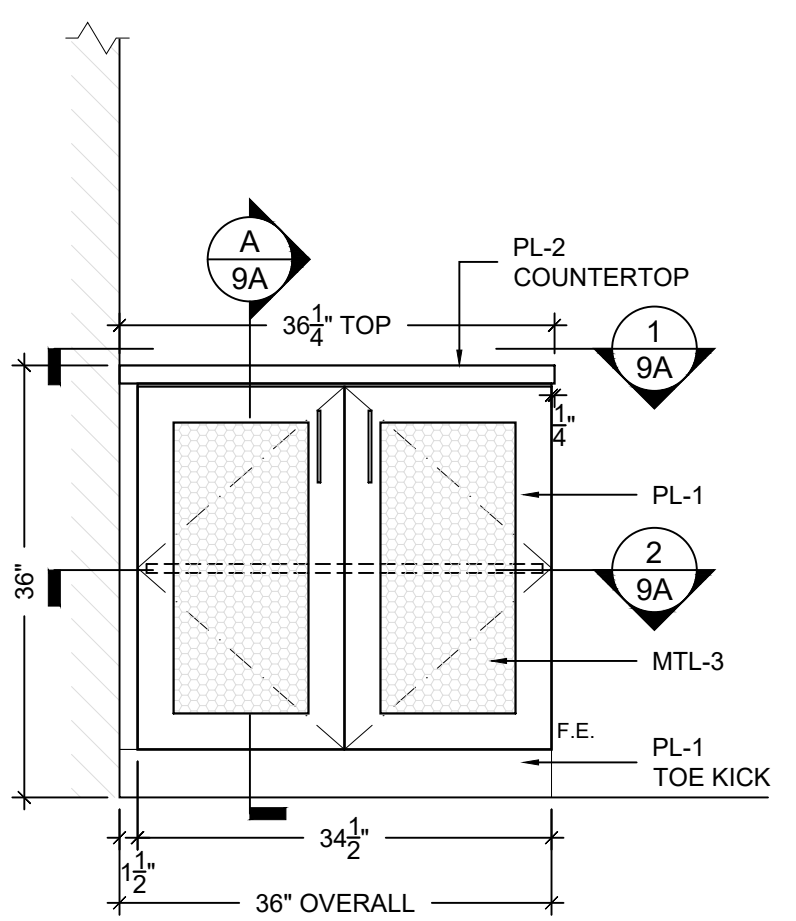
7A



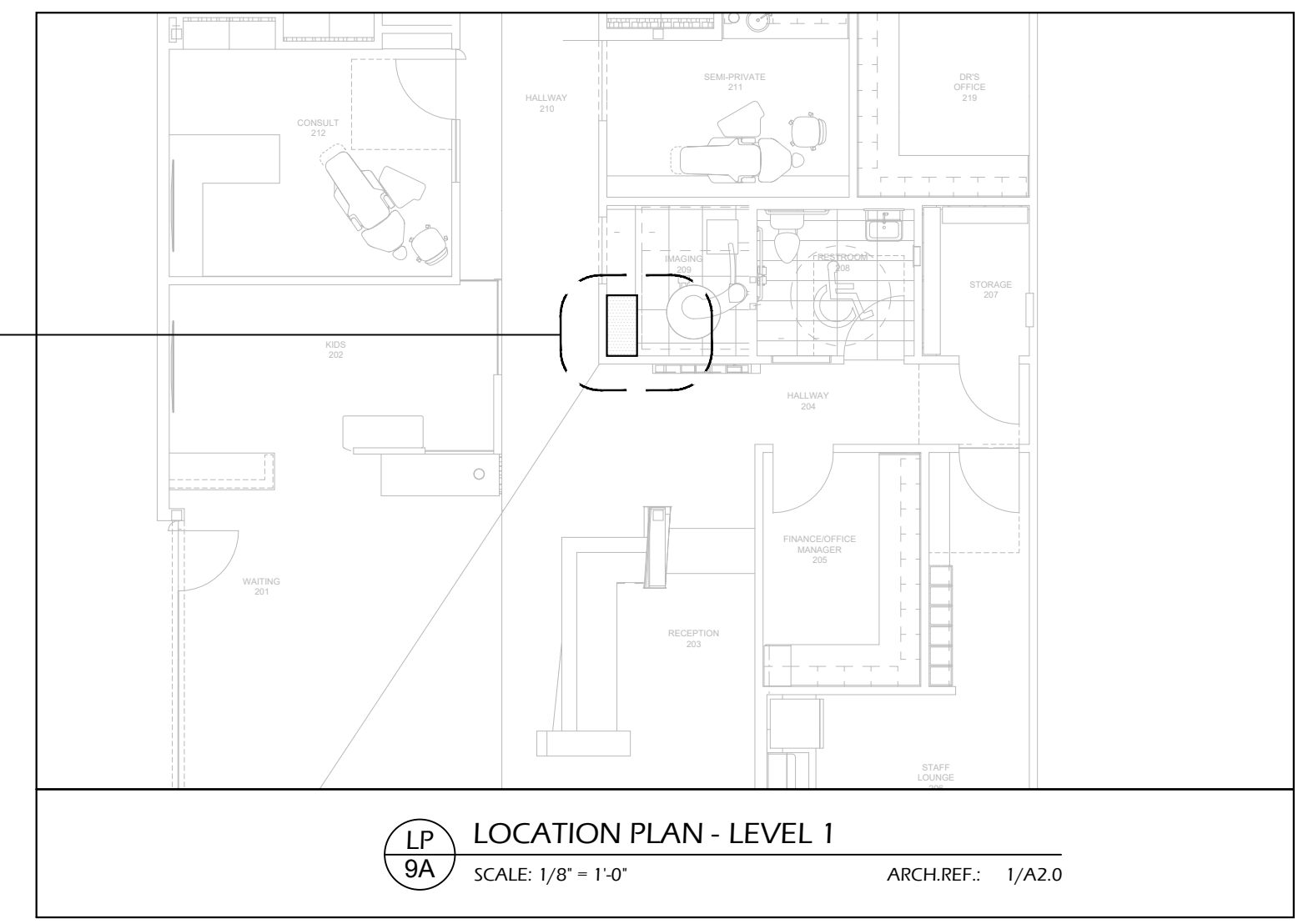
1 PLAN VIEW - CASEWORK @ IMAGINE 209
SCALE: 3/4" = 1'-0" ARCH.REF.: 1/A2.0



2 PLAN SECTION - CASEWORK @ IMAGINE 209
SCALE: 3/4" = 1'-0" ARCH.REF.: NONE



3 ELEVATION - CASEWORK @ IMAGINE 209
SCALE: 3/4" = 1'-0" ARCH.REF.: 19/A6.0



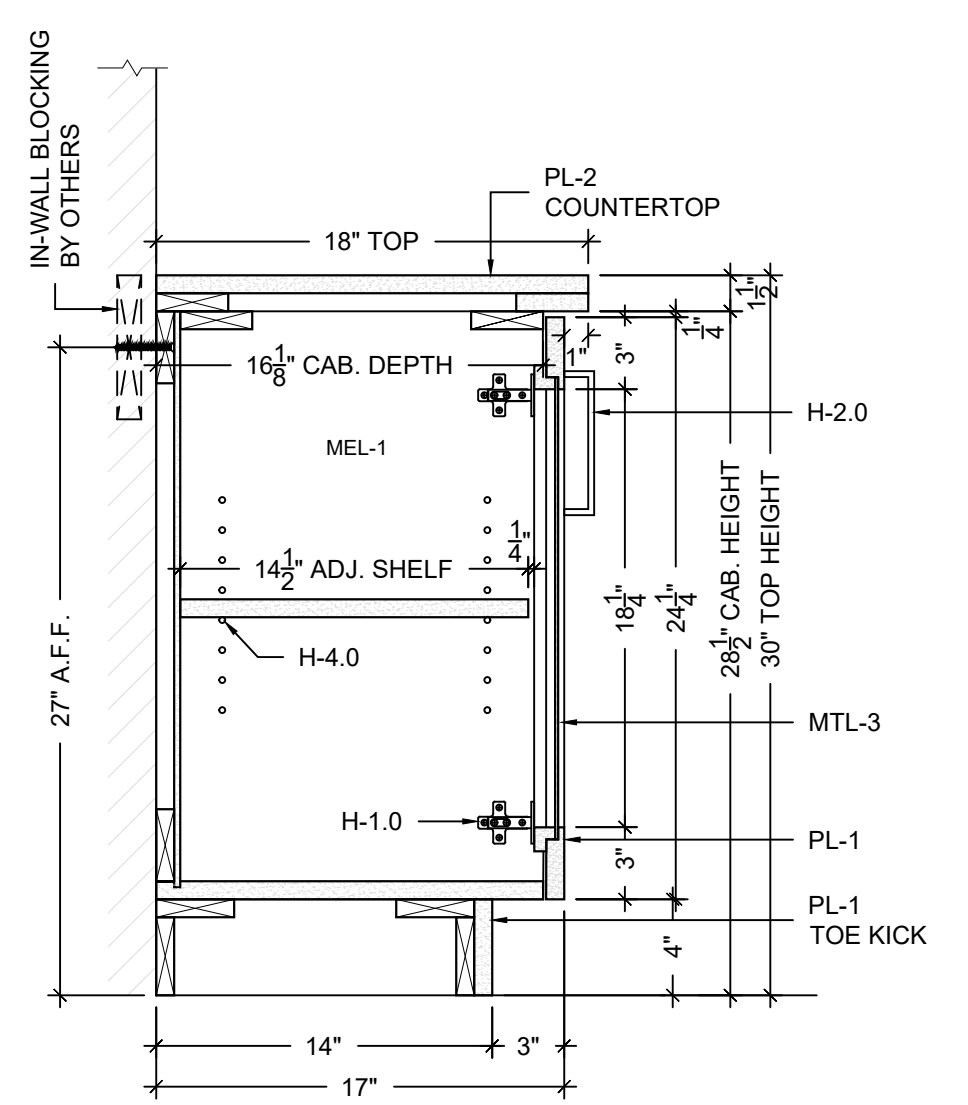
LP LOCATION PLAN - LEVEL 1
SCALE: 1/8" = 1'-0" ARCH.REF.: 1/A2.0

FINISH INDEX

MEL-1	MELAMINE INTERIORS WHITE COLOR
MTL-3	MILLWORK METAL GRILLE DOUG MOCKETT - GT GRILLE MESH 1 4/8" - WHITE
PL-1	PLASTIC LAMINATE NEVAMAR - S7024G - CHALK WHITE - FINISH: GLOSS
PL-2	PLASTIC LAMINATE NEVAMAR - NM55-7024-S0 THRUCOLOR - CHALK WHITE - TEXTURED/SUEDE

HARDWARE INDEX

H-1.0	CONCEALED EUROPEAN HINGE BLUM - 170° SWING
H-2.0	6" WIRE PULL DOUG MOCKETT - DP128 - MATTE CHROME
H-4.0	5mm SHELF PINS KV 332 ANO - ANOCHROME FINISH
H-10.0	PLASTIC BUMPERS DOOR & DRAWER BUMPERS - PLASTIC TRANSPARENT



A SECTION
SCALE: 1-1/2" = 1'-0" ARCH.REF.: NONE

PROJECT:

ARCHITECT / DESIGNER:

CONTRACTOR:

LOCATION

IMAGINE 209

ITEM

CASEWORK

PROJECT MANAGER:
XXX

DRAWN BY:
HD

SCALE:
AS NOTED

DATE DRAWN:
07/09/2020

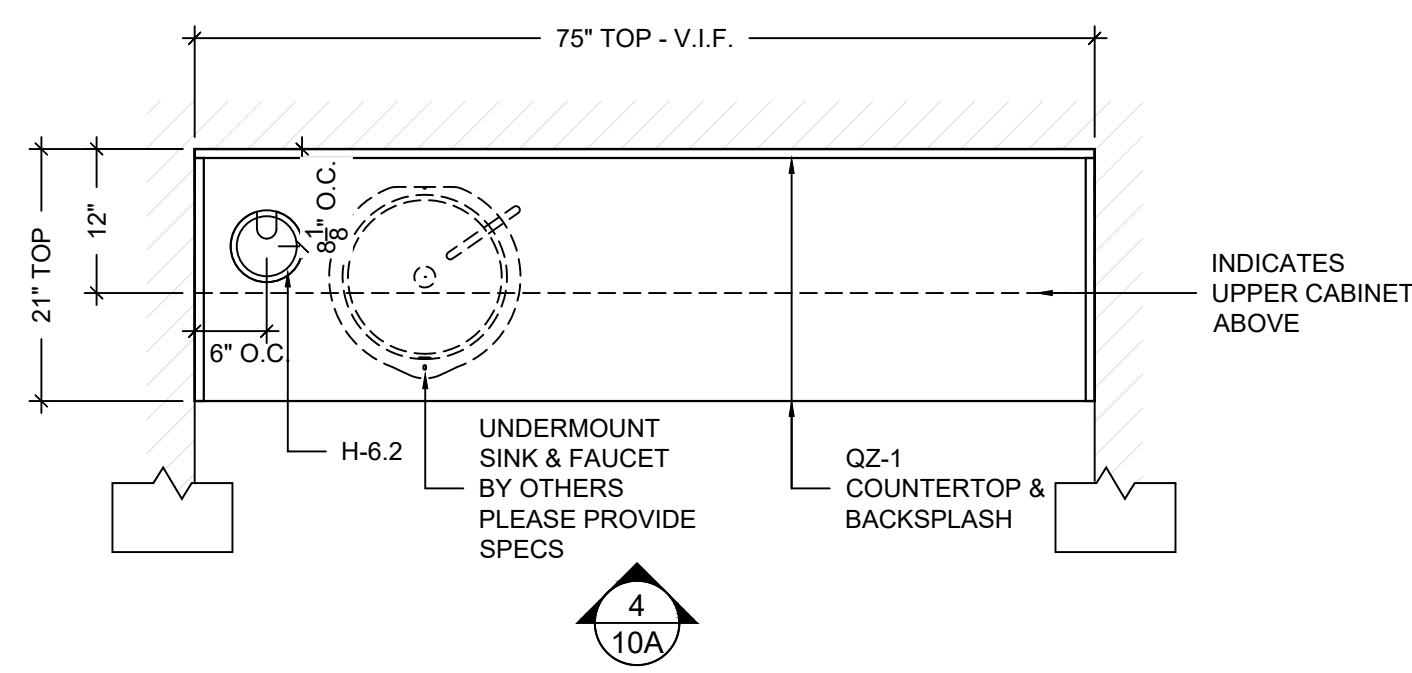
REVISIONS:
#1: 10/08/2020

JOB NUMBER:
XXX

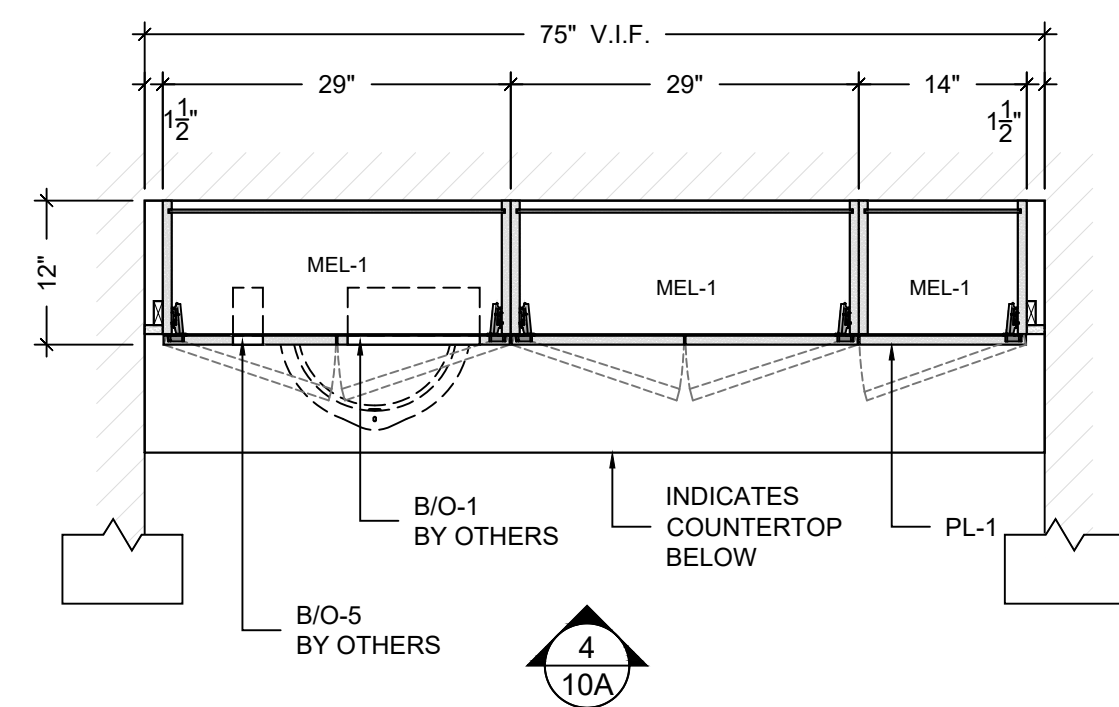
#2:
#3:
#4:
#5:
#6:
#7:
#8:

SHEET NUMBER:

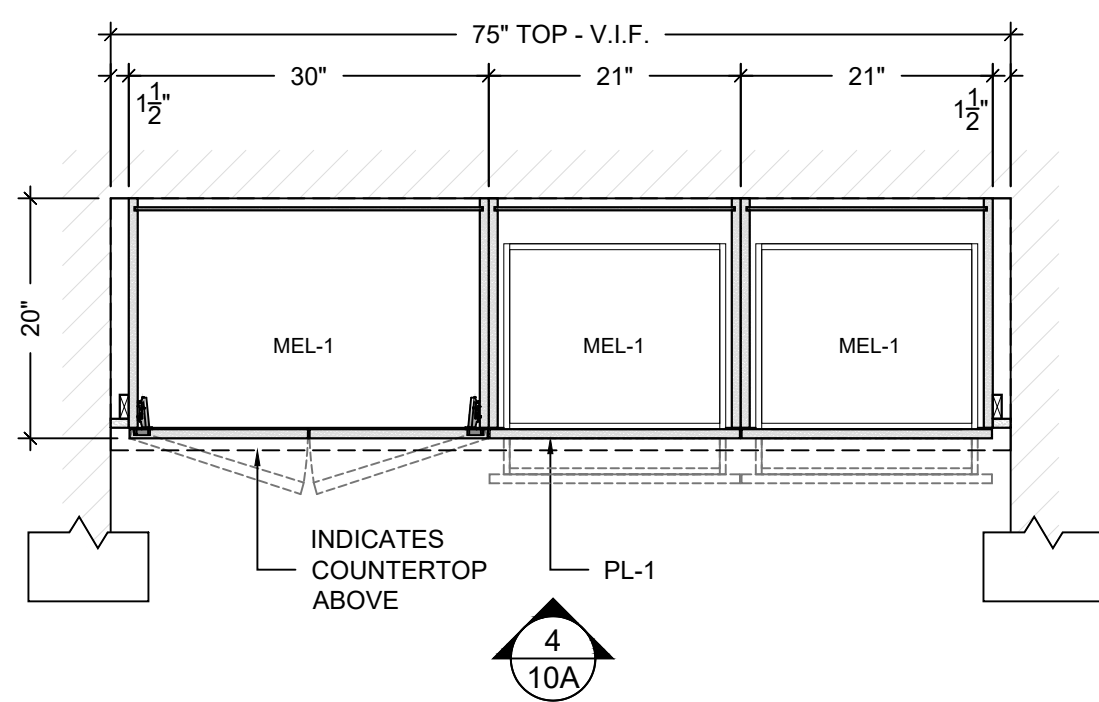
9A



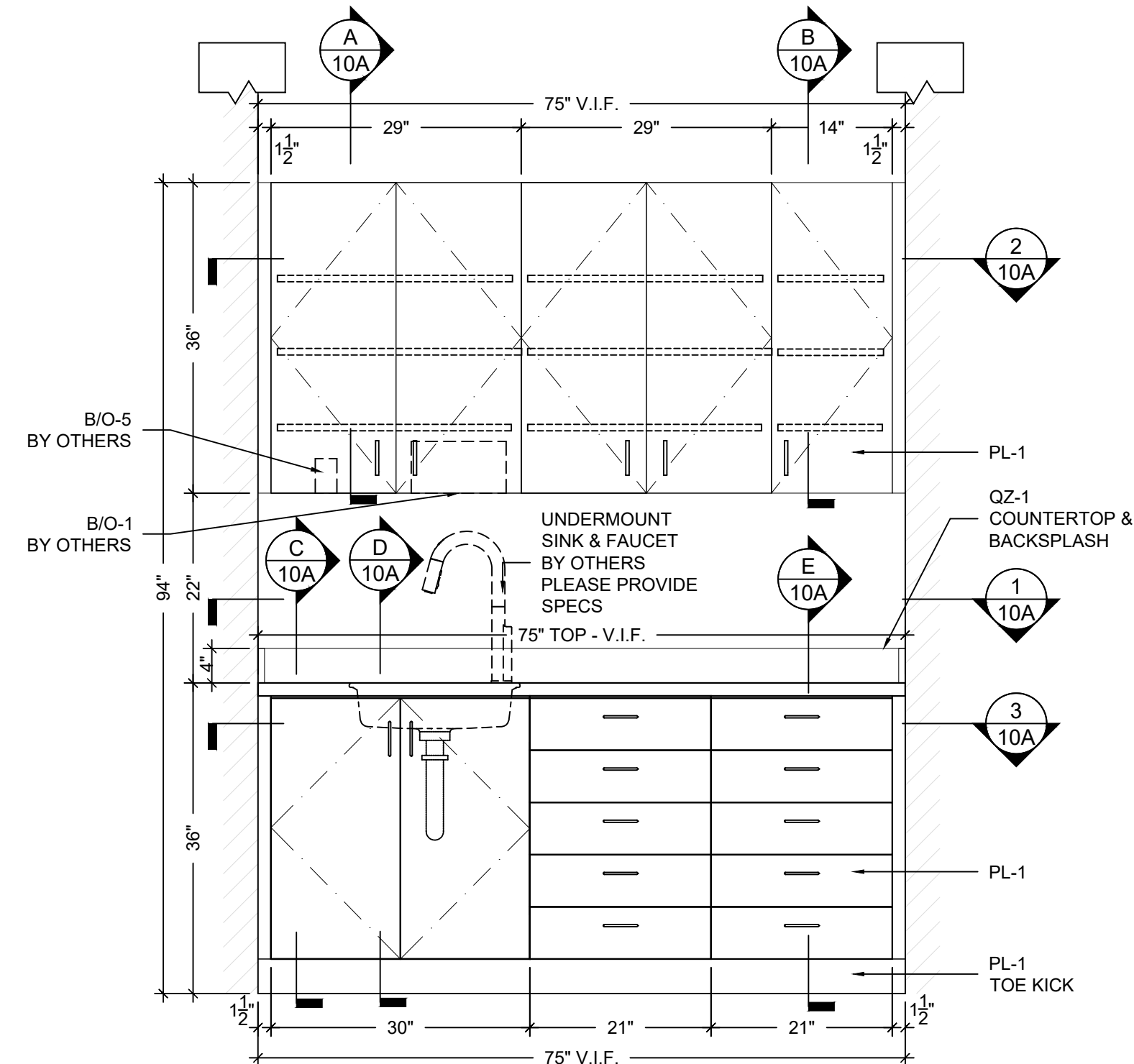
1 PLAN SECTION - CASEWORK
SCALE: 3/4" = 1'-0" ARCH. REF.: 1/A-2.0



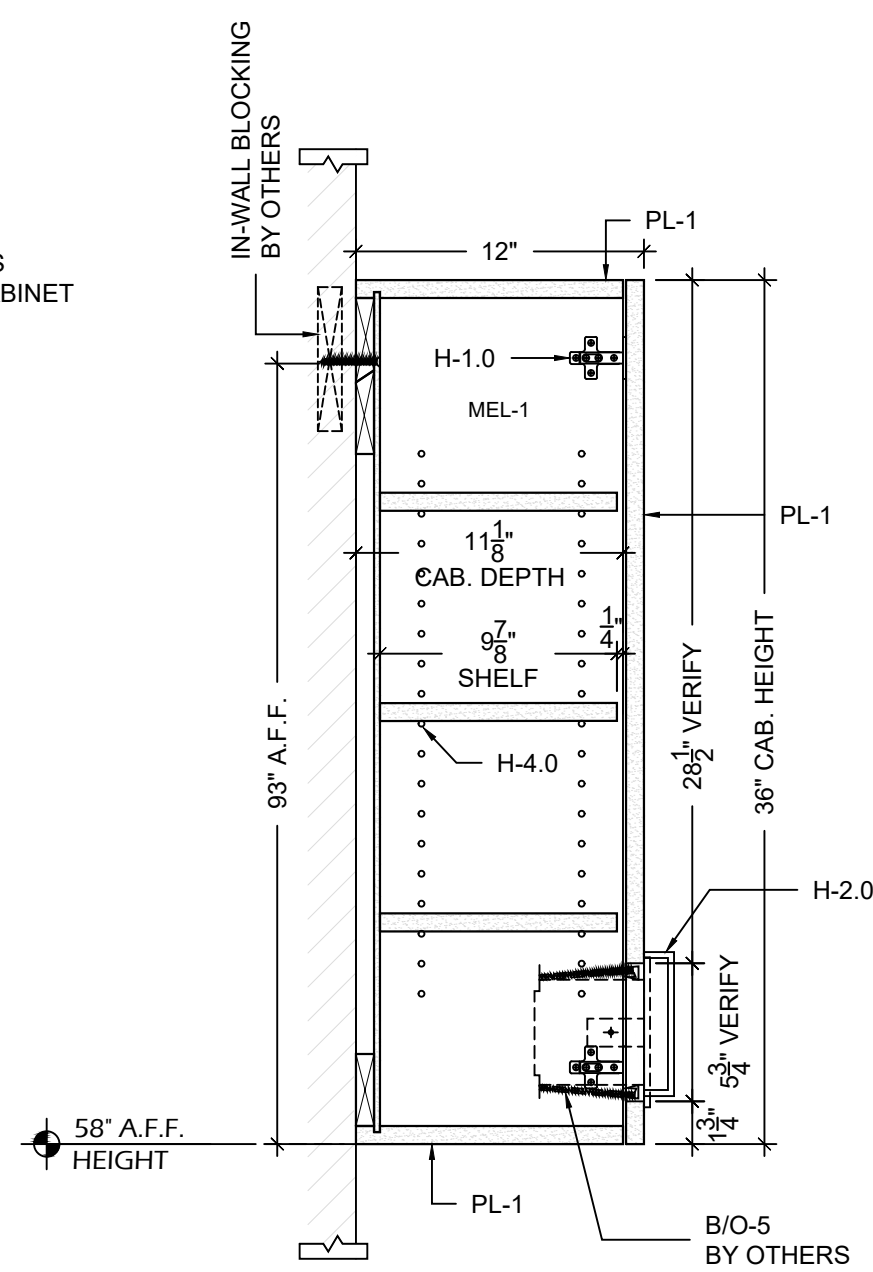
2 PLAN SECTION - CASEWORK
SCALE: 3/4" = 1'-0" ARCH. REF.: NONE



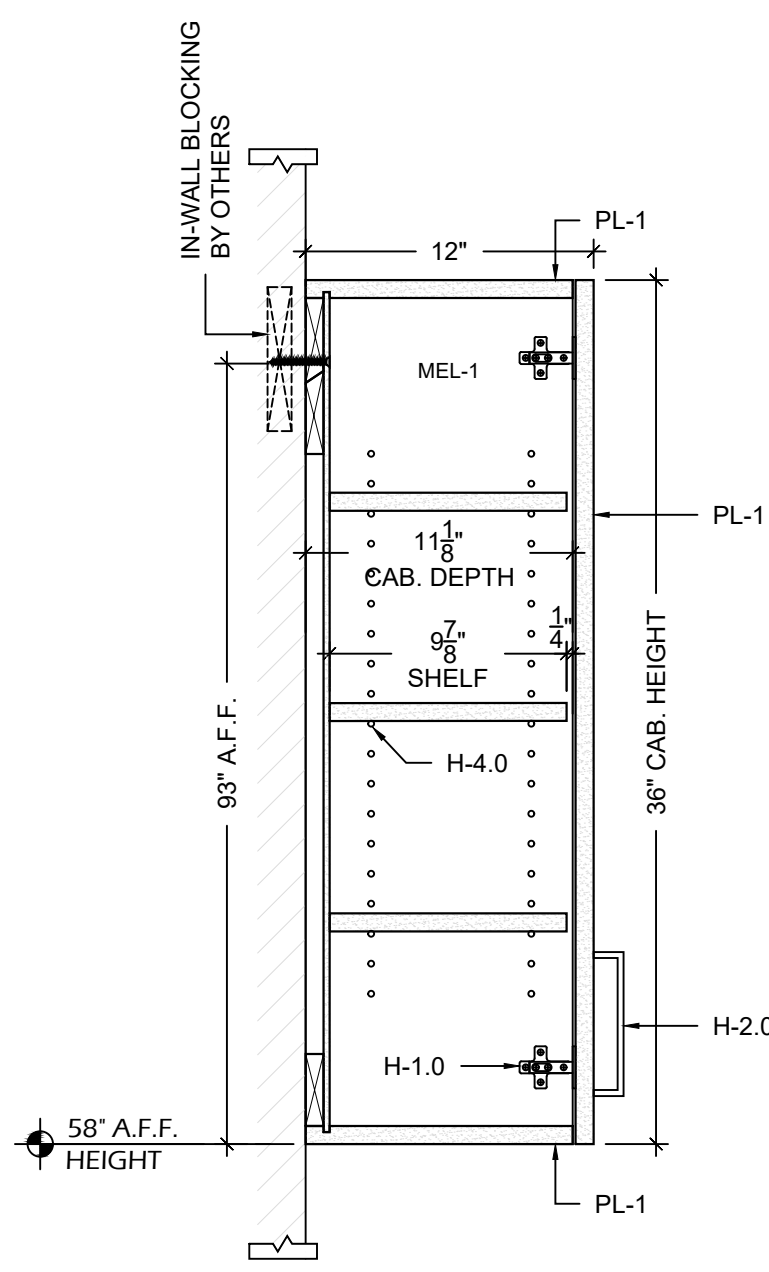
3 PLAN SECTION - CASEWORK
SCALE: 3/4" = 1'-0" ARCH. REF.: NONE



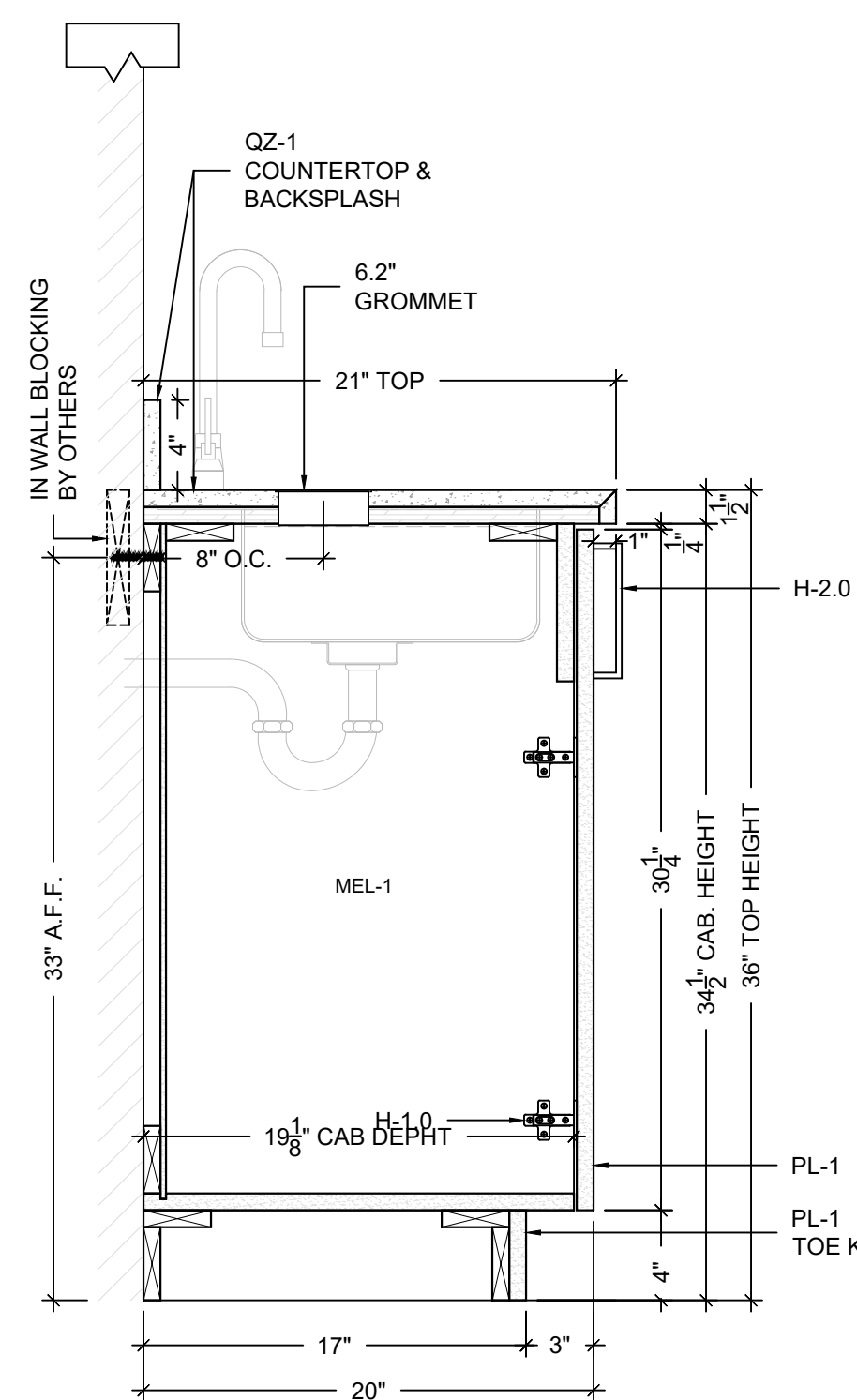
4 ELEVATION - CASEWORK
SCALE: 3/4" = 1'-0" ARCH. REF.: 3/A6.1



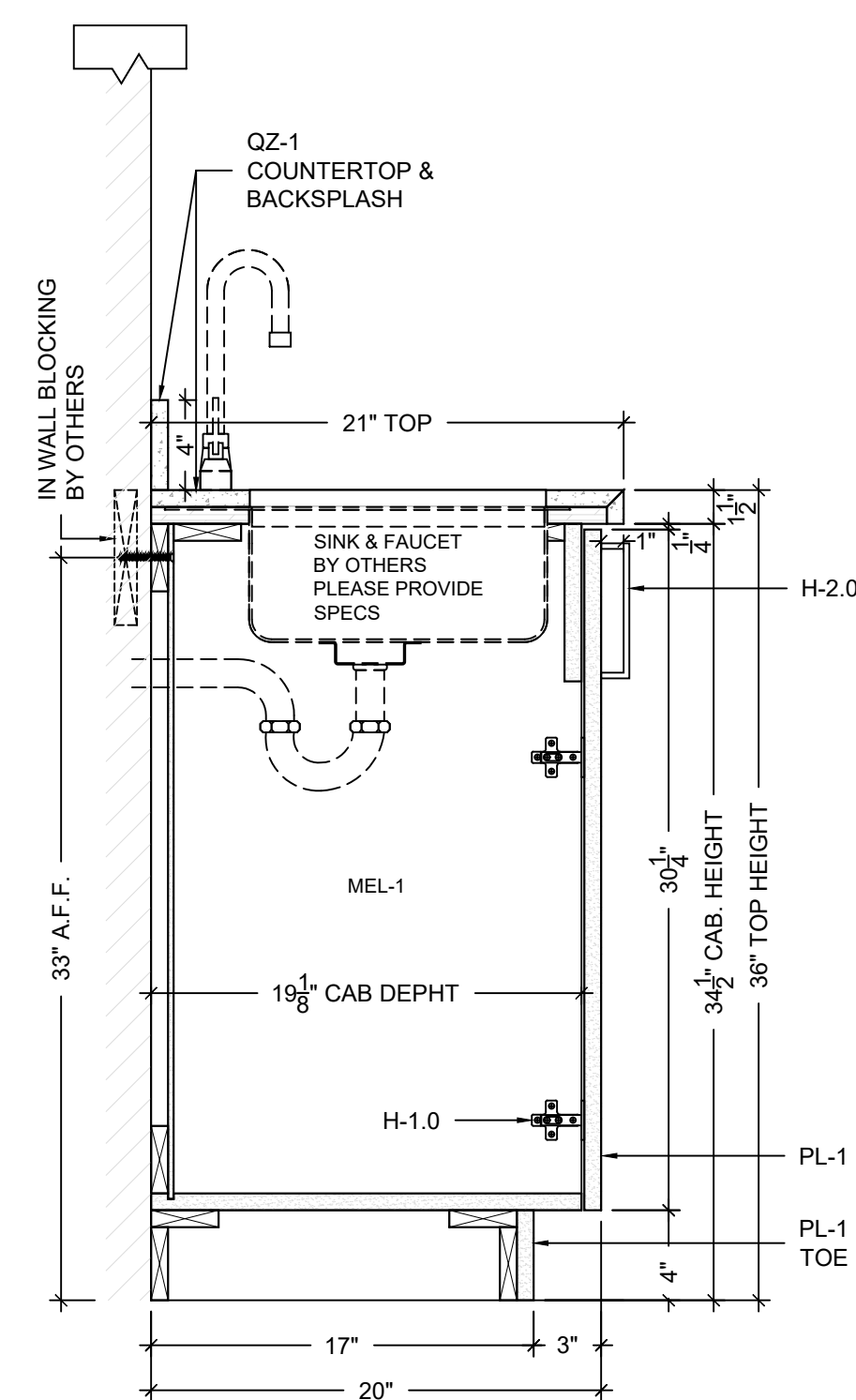
A SECTION
SCALE: 1-1/2" = 1'-0" ARCH. REF.: NONE



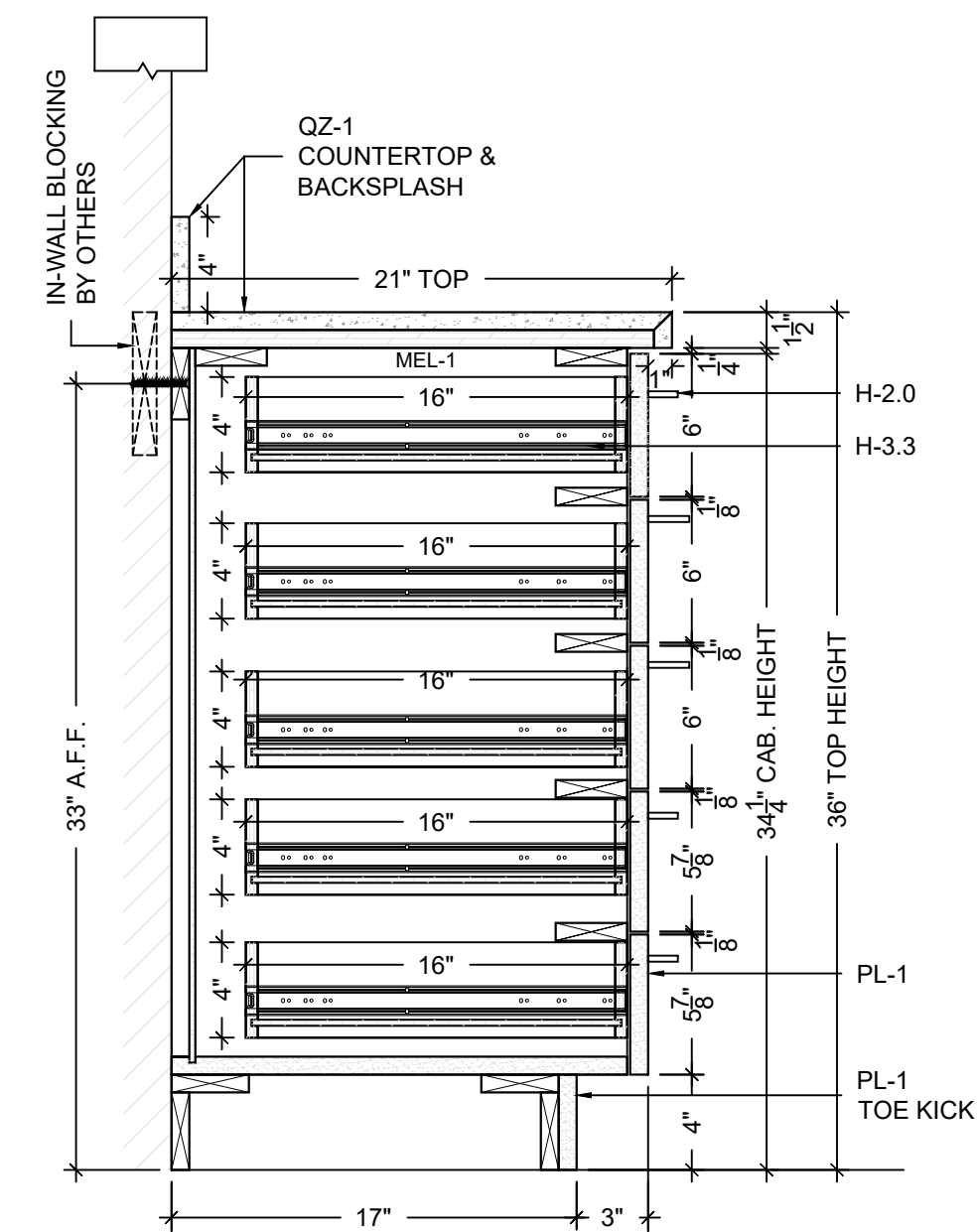
B SECTION
SCALE: 1-1/2" = 1'-0" ARCH. REF.: NONE



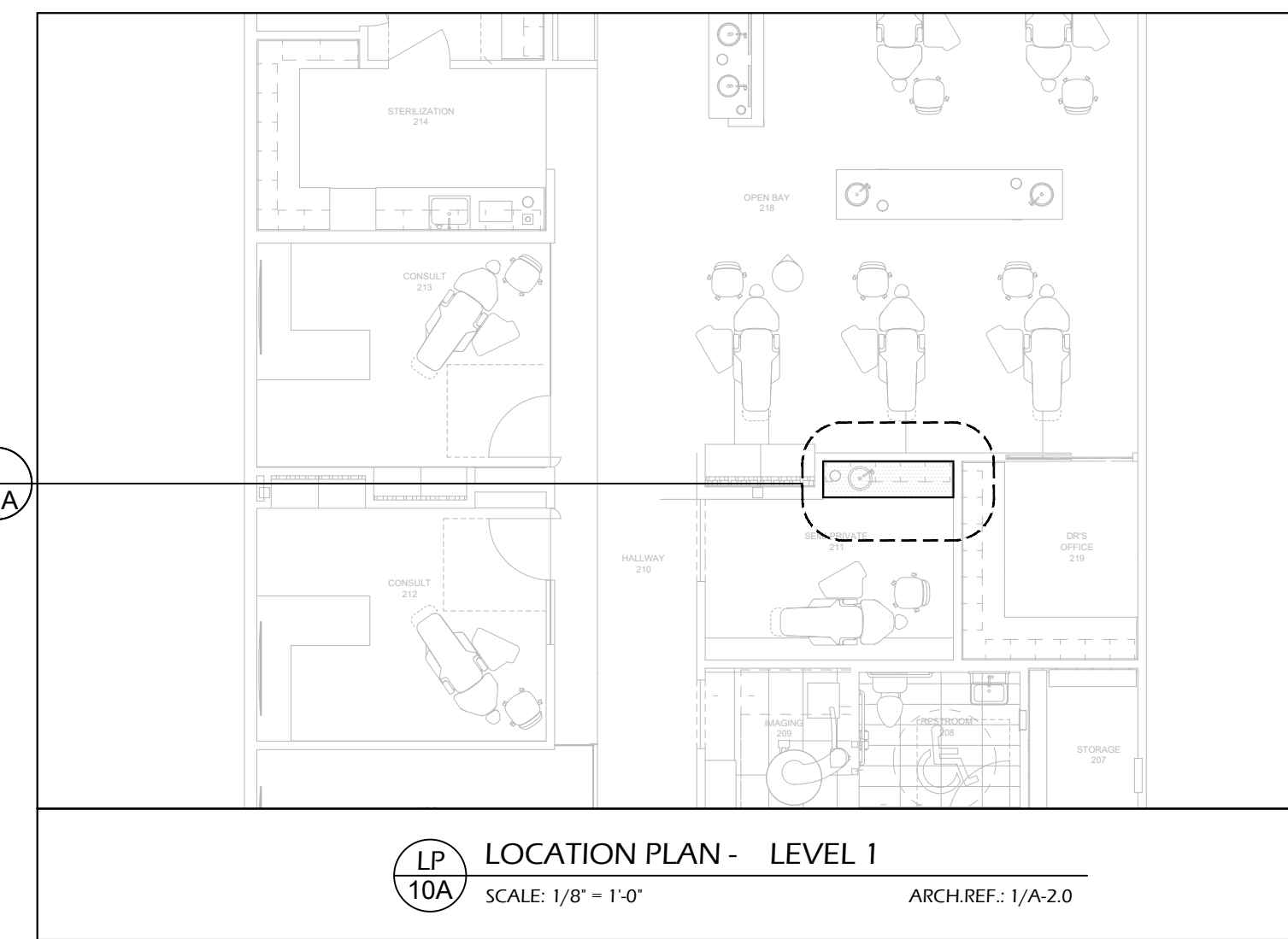
C SECTION
SCALE: 1-1/2" = 1'-0" ARCH. REF.: NONE



D SECTION
SCALE: 1-1/2" = 1'-0" ARCH. REF.: NONE



E SECTION
SCALE: 1-1/2" = 1'-0" ARCH. REF.: NONE



LP LOCATION PLAN - LEVEL 1
SCALE: 1/8" = 1'-0" ARCH. REF.: 1/A-2.0

FINISH INDEX

MEL-1	MELAMINE INTERIORS WHITE COLOR
PL-1	PLASTIC LAMINATE NEVAMAR - S7024G - CHALK WHITE - FINISH: GLOSS
QZ-1	2CM QUARTZ HANSTONE CHANTILLY - GLOSS

HARDWARE INDEX

H-1.0	CONCEALED EUROPEAN HINGE BLUM - 170° SWING
H-2.0	6" WIRE PULL DOUG MOCKETT - DP128 - MATTE CHROME
H-3.3	DRAWER SLIDES ACCURIDE 3832 100LBS FULL EXTENSION 16"
H-4.0	5mm SHELF PINS KV 332 ANO - ANOCHROME FINISH
H-6.2	6" TRASH DROP MOCKETT - TM1A - STAINLESS STEEL - 2" DEEP
H-10.0	PLASTIC BUMPERS DOOR & DRAWER BUMPERS - PLASTIC TRANSPARENT

BY OTHERS SCHEDULE

ITEM	EQUIPMENT	MANUFACTURER	MODEL	DIMENSIONS	COUNTER CUT OUTS
B/O-1	PAPER TOWEL DISPENSER	GREENO	GBH-D	4"X11"X2 1/2"	5-3/4" VERIFY
B/O-5	RECESSED DOUBLE GLOVE DISPENSER	GREENO	#1 T TOWEL	6"X11"X4 1/2"	4" VERIFY

PROJECT:

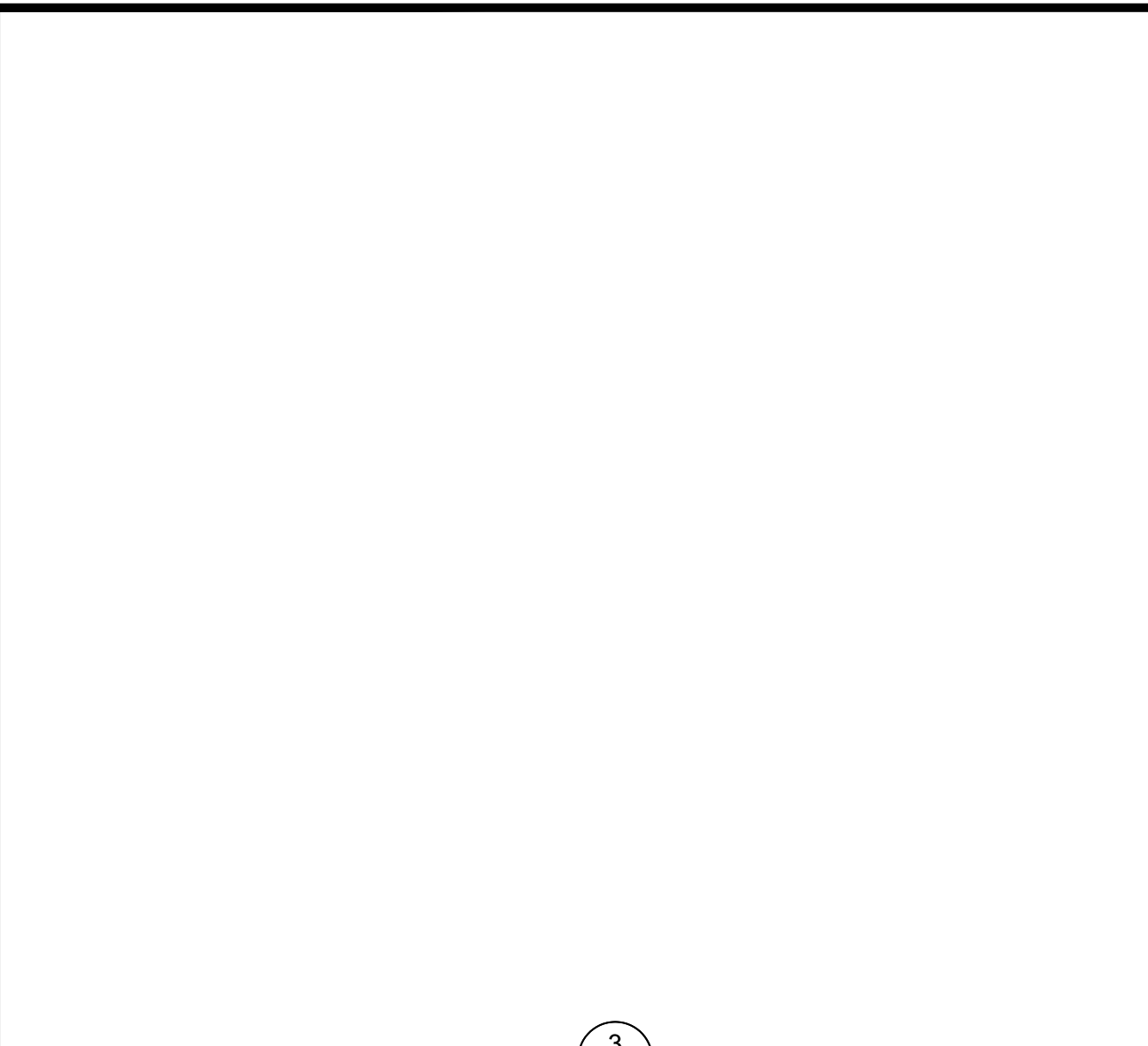
ARCHITECT / DESIGNER:

CONTRACTOR:

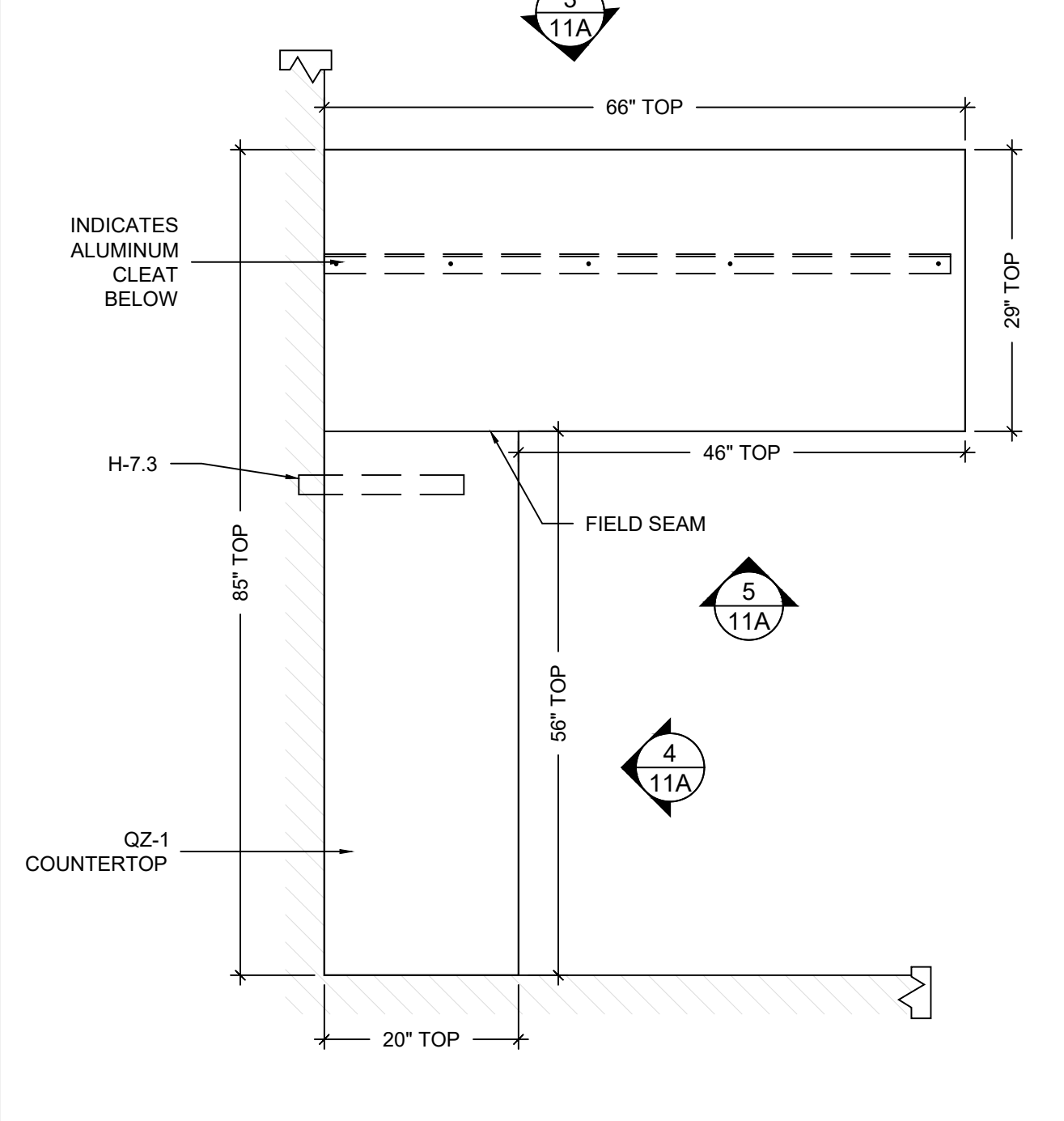
LOCATION
SEMI PRIVATE - 211

ITEM
CASEWORK

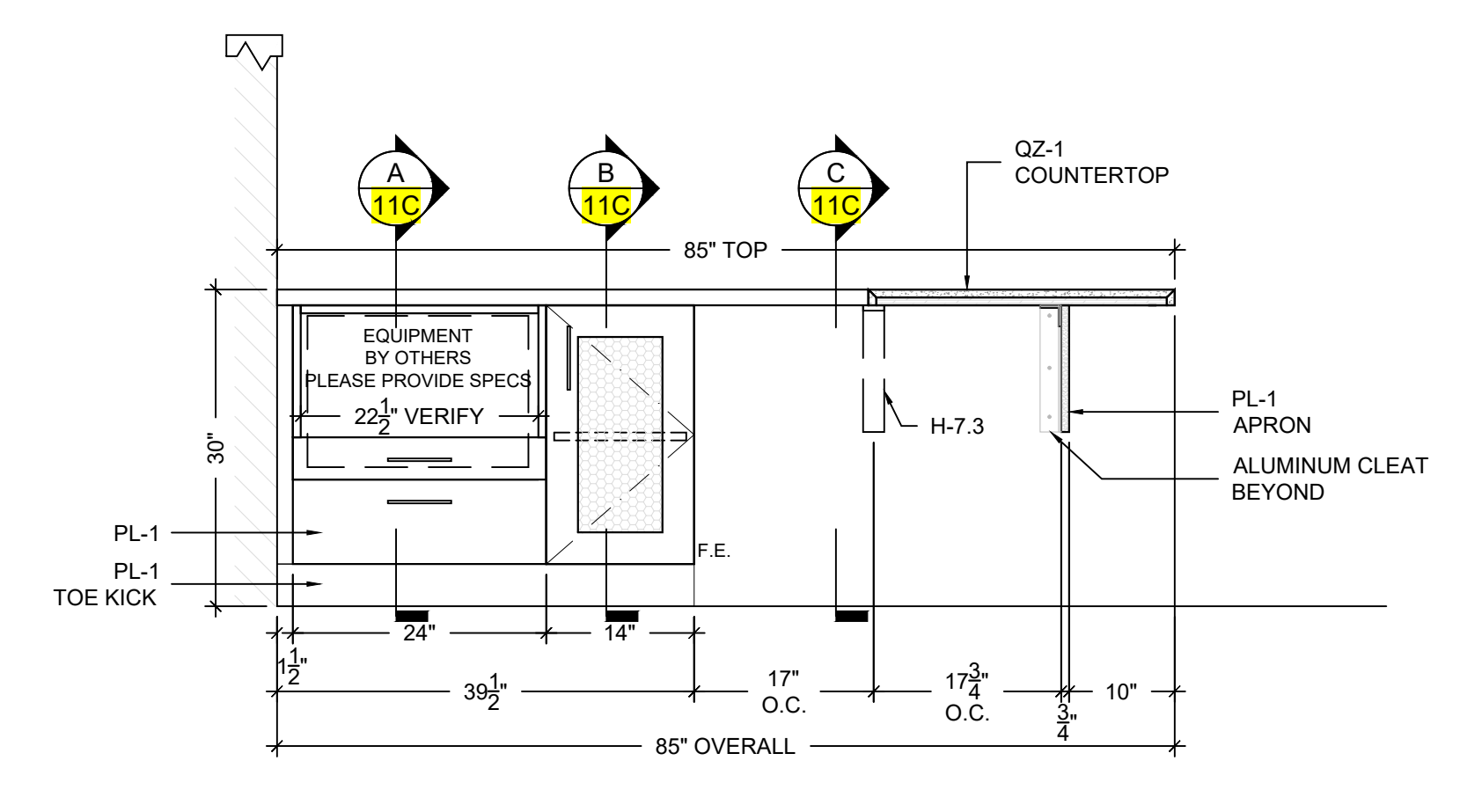
PROJECT MANAGER: XXX	DRAWN BY: HD
SCALE: AS NOTED	DATE DRAWN: 07/09/2020
REVISIONS: #1: 10/08/2020	JOB NUMBER: XXX
#2: #3: #4: #5: #6: #7: #8:	SHEET NUMBER: 10A



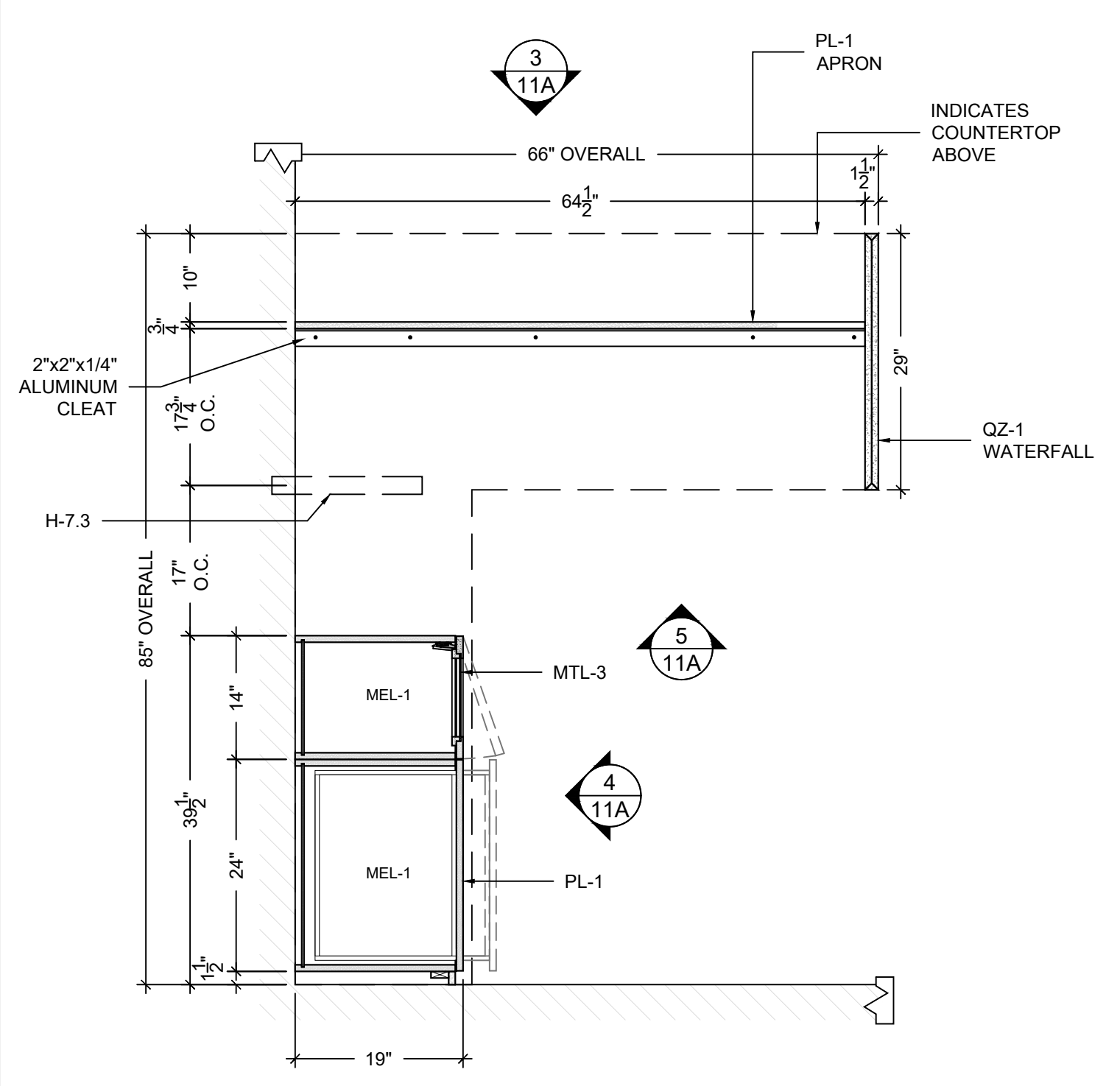
3 ELEVATION - CASEWORK @ CONSULT 212
 11A SCALE: 3/4"=1'-0" ARCH.REF.: NONE



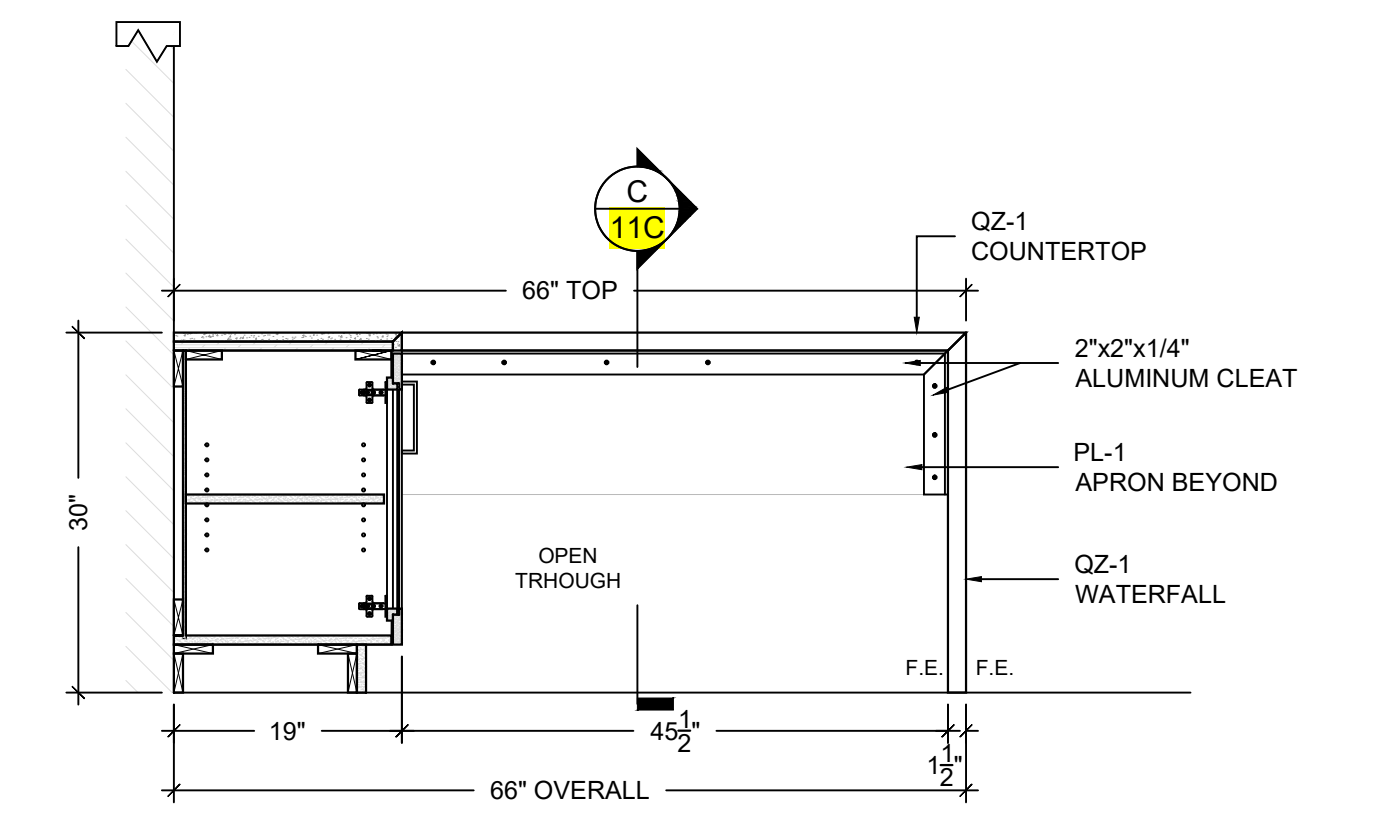
1 PLAN VIEW - CASEWORK @ CONSULT 212
 11A SCALE: 3/4"=1'-0" ARCH.REF.: 1/A2.0



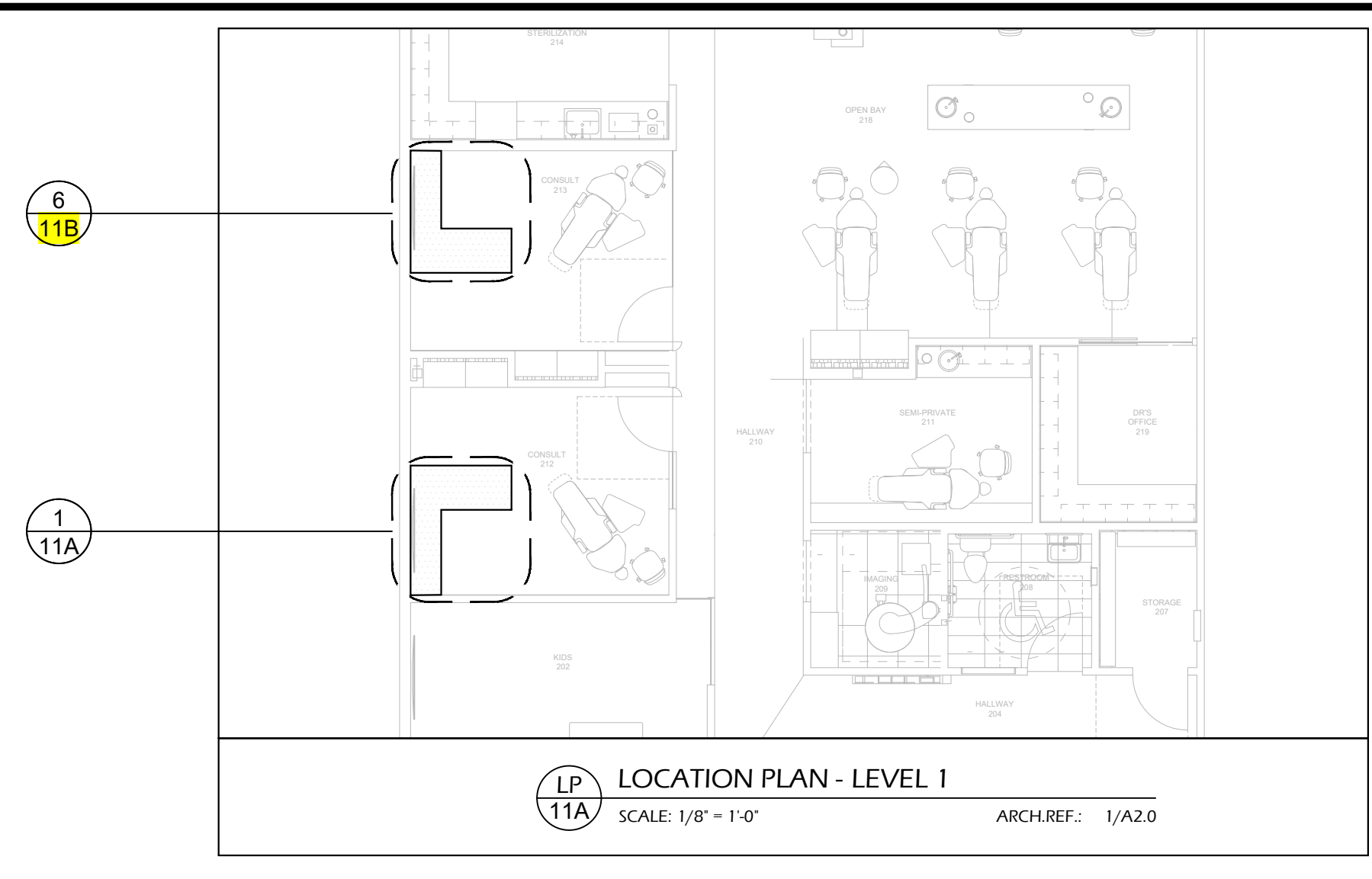
4 ELEVATION - CASEWORK @ CONSULT 212
 11A SCALE: 3/4"=1'-0" ARCH.REF.: 4/A6.1



2 PLAN SECTION - CASEWORK @ CONSULT 212
 11A SCALE: 3/4"=1'-0" ARCH.REF.: NONE



5 ELEVATION - CASEWORK @ CONSULT 212
 11A SCALE: 3/4"=1'-0" ARCH.REF.: NONE



LP LOCATION PLAN - LEVEL 1
 11A SCALE: 1/8"=1'-0" ARCH.REF.: 1/A2.0

FINISH INDEX

MEL-1	MELAMINE INTERIORS WHITE COLOR
MTL-3	MILLWORK METAL GRILLE DOUG MOCKETT - GT GRILLE MESH 1 4/8" - WHITE
PL-1	PLASTIC LAMINATE NEVAMAR - S7024G - CHALK WHITE - FINISH: GLOSS
QZ-1	2CM QUARTZ HANSTONE CHANTILLY - GLOSS

HARDWARE INDEX

H-1.0	CONCEALED EUROPEAN HINGE BLUM - 170° SWING
H-2.0	8" WIRE PULL DOUG MOCKETT - DP128 - MATTE CHROME
H-3.3	DRAWER SLIDES ACCURIDE 3832 100LBS FULL EXTENSION 16"
H-4.0	5mm SHELF PINS KV 332 ANO - ANOCHROME FINISH
H-7.3	CONCEALED BRACKET A&M HARDWARE - C18 - 2.0
H-10.0	PLASTIC BUMPERS DOOR & DRAWER BUMPERS - PLASTIC TRANSPARENT

PROJECT:

ARCHITECT / DESIGNER:

CONTRACTOR:

LOCATION
CONSULT 212 & 213

ITEM
CASEWORK

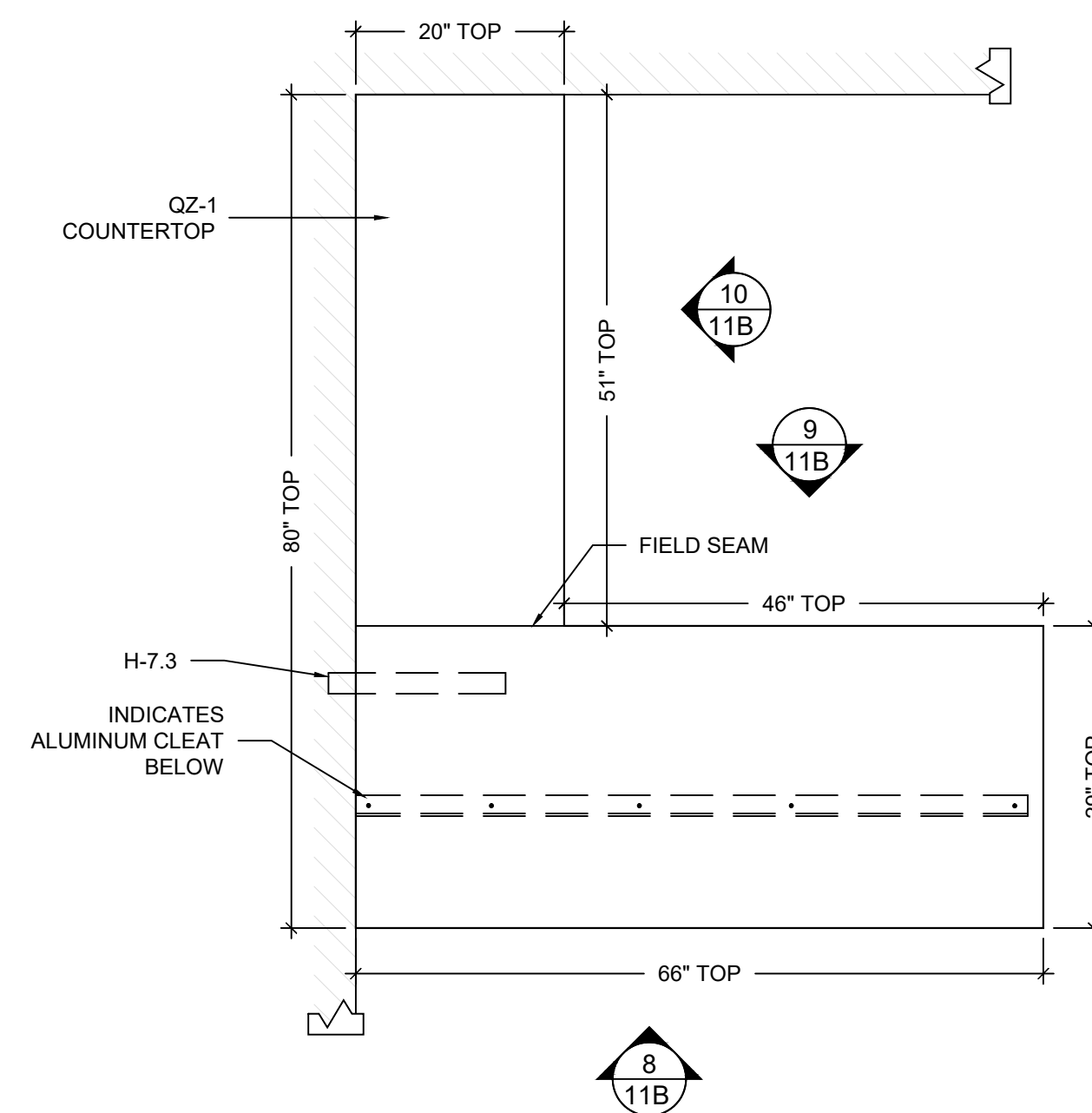
PROJECT MANAGER: XXX	DRAWN BY: HD
SCALE: AS NOTED	DATE DRAWN: 07/09/2020
REVISIONS: #1: 10/08/2020 #2: #3: #4: #5: #6: #7: #8:	JOB NUMBER: XXX SHEET NUMBER: 11A

FINISH INDEX

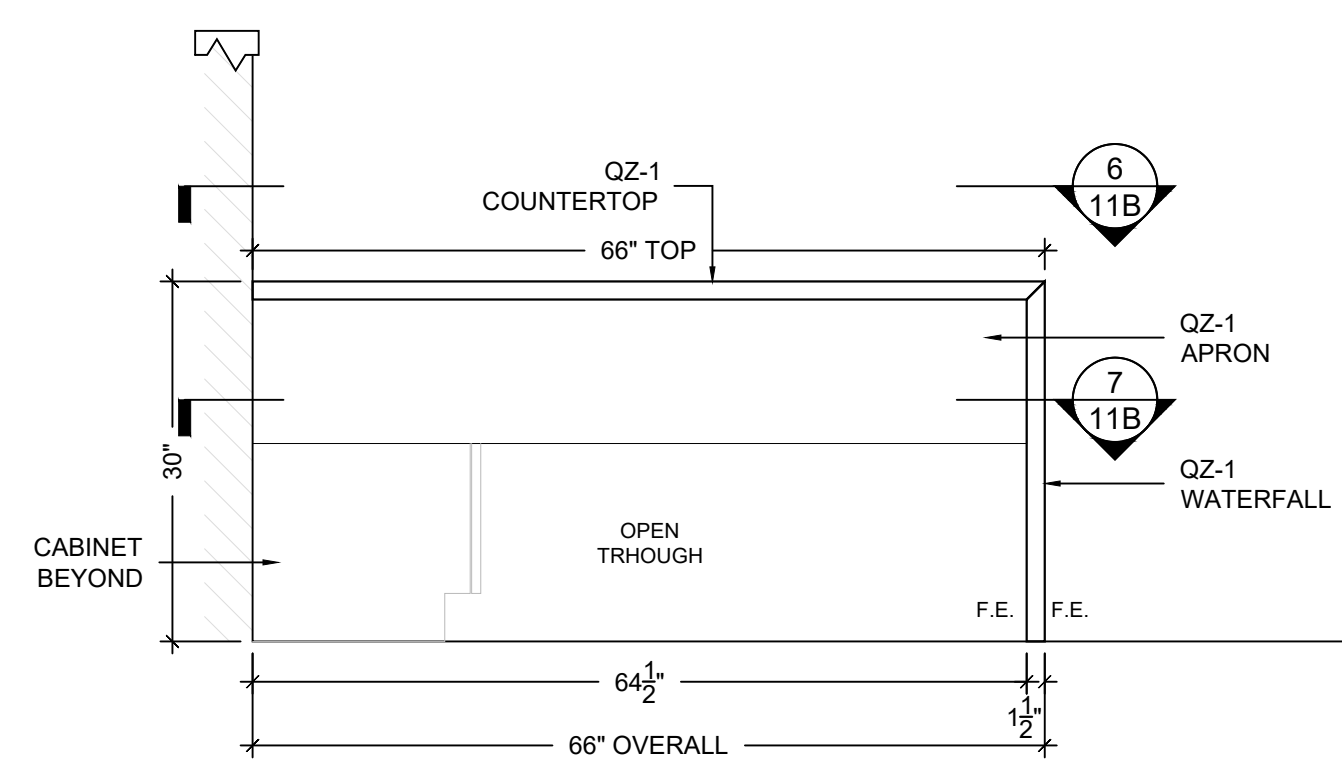
MEL-1	MELAMINE INTERIORS WHITE COLOR
MTL-3	MILLWORK METAL GRILLE DOUG MOCKETT - GT GRILLE MESH 1 4/8" - WHITE
PL-1	PLASTIC LAMINATE NEVAMAR - S7024G - CHALK WHITE - FINISH: GLOSS
QZ-1	2CM QUARTZ HANSTONE CHANTILLY - GLOSS

HARDWARE INDEX

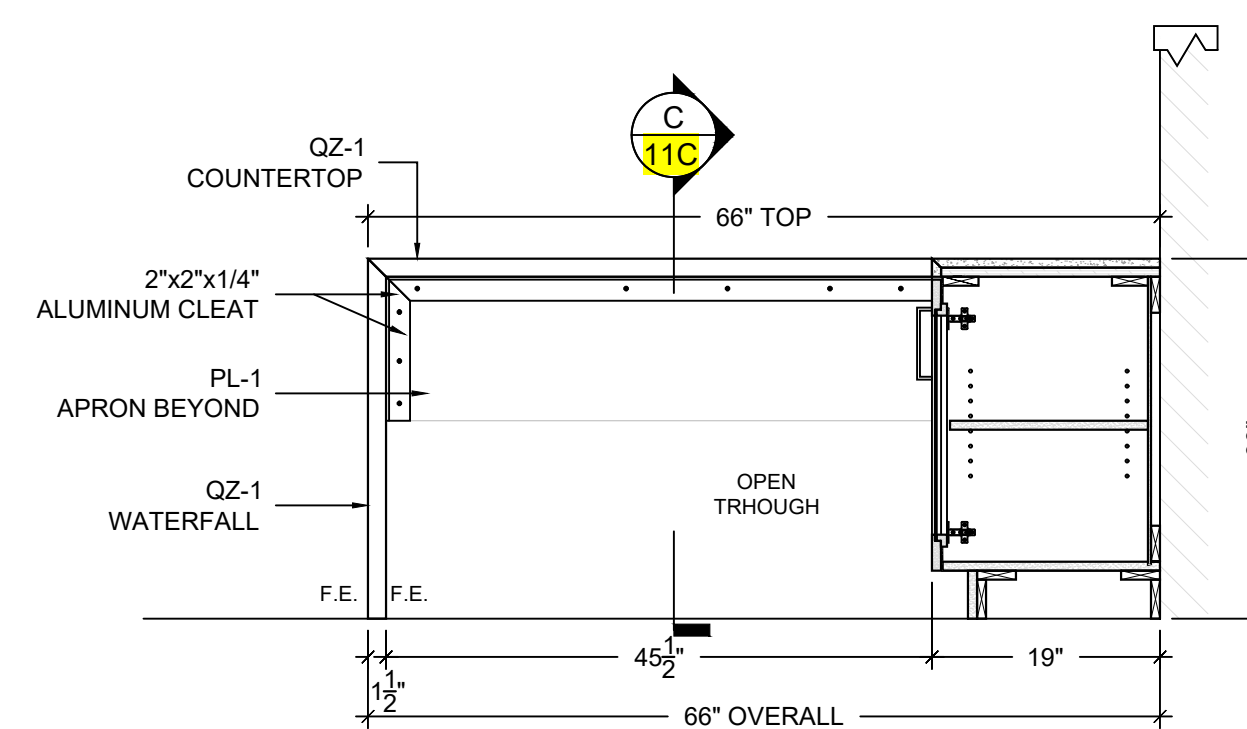
H-1.0	CONCEALED EUROPEAN HINGE BLUM - 170° SWING
H-2.0	6" WIRE PULL DOUG MOCKETT - DP128 - MATTE CHROME
H-3.3	DRAWER SLIDES ACCURIDE 3832 100LBS FULL EXTENSION 16"
H-4.0	5mm SHELF PINS KV 332 ANO - ANOCHROME FINISH
H-7.3	CONCEALED BRACKET A&M HARDWARE - C18 - 2.0
H-10.0	PLASTIC BUMPERS DOOR & DRAWER BUMPERS - PLASTIC TRANSPARENT



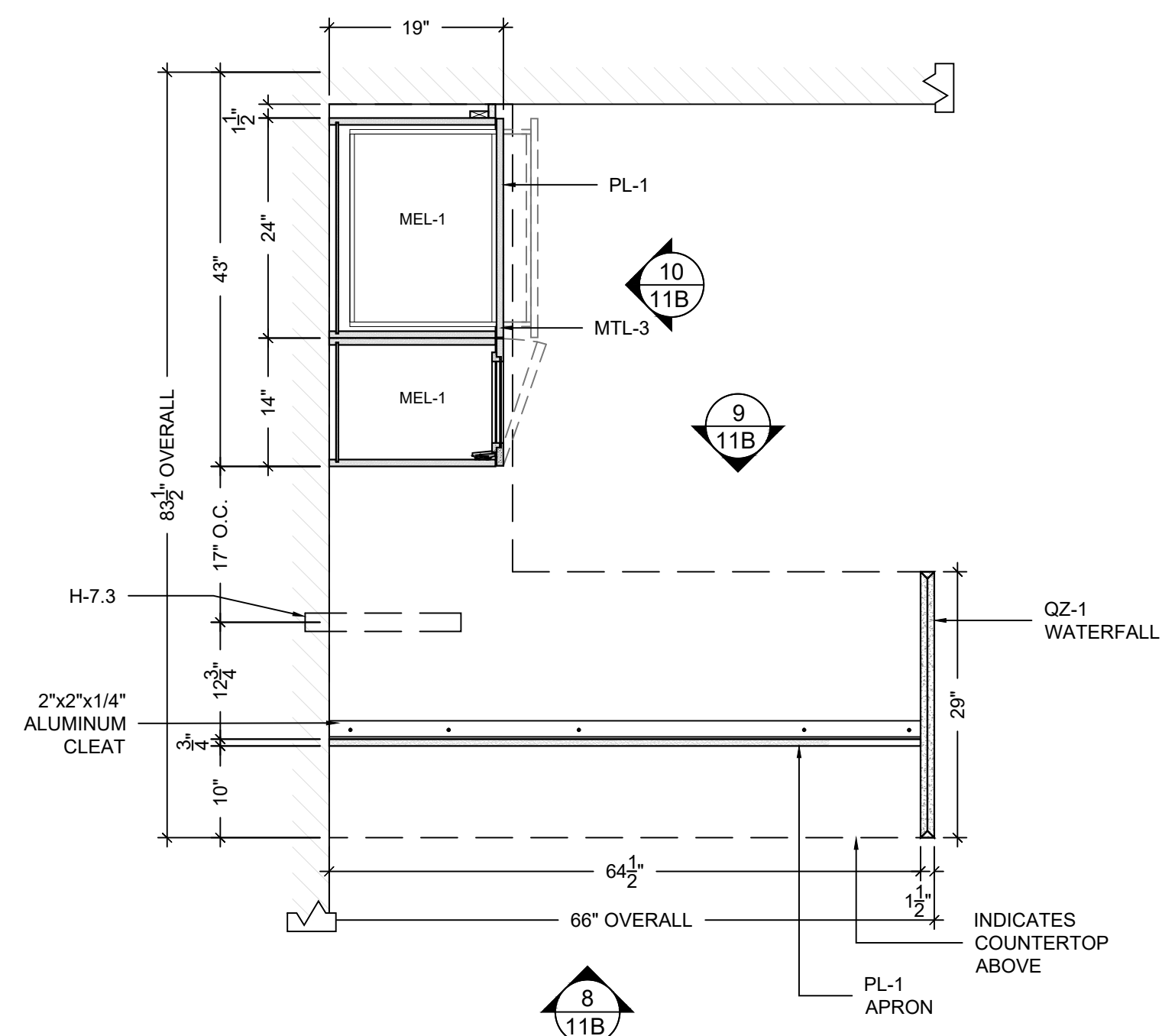
6 PLAN VIEW - CASEWORK @ CONSULT 213
SCALE: 3/4"=1'-0" ARCH. REF: 1/A2.0



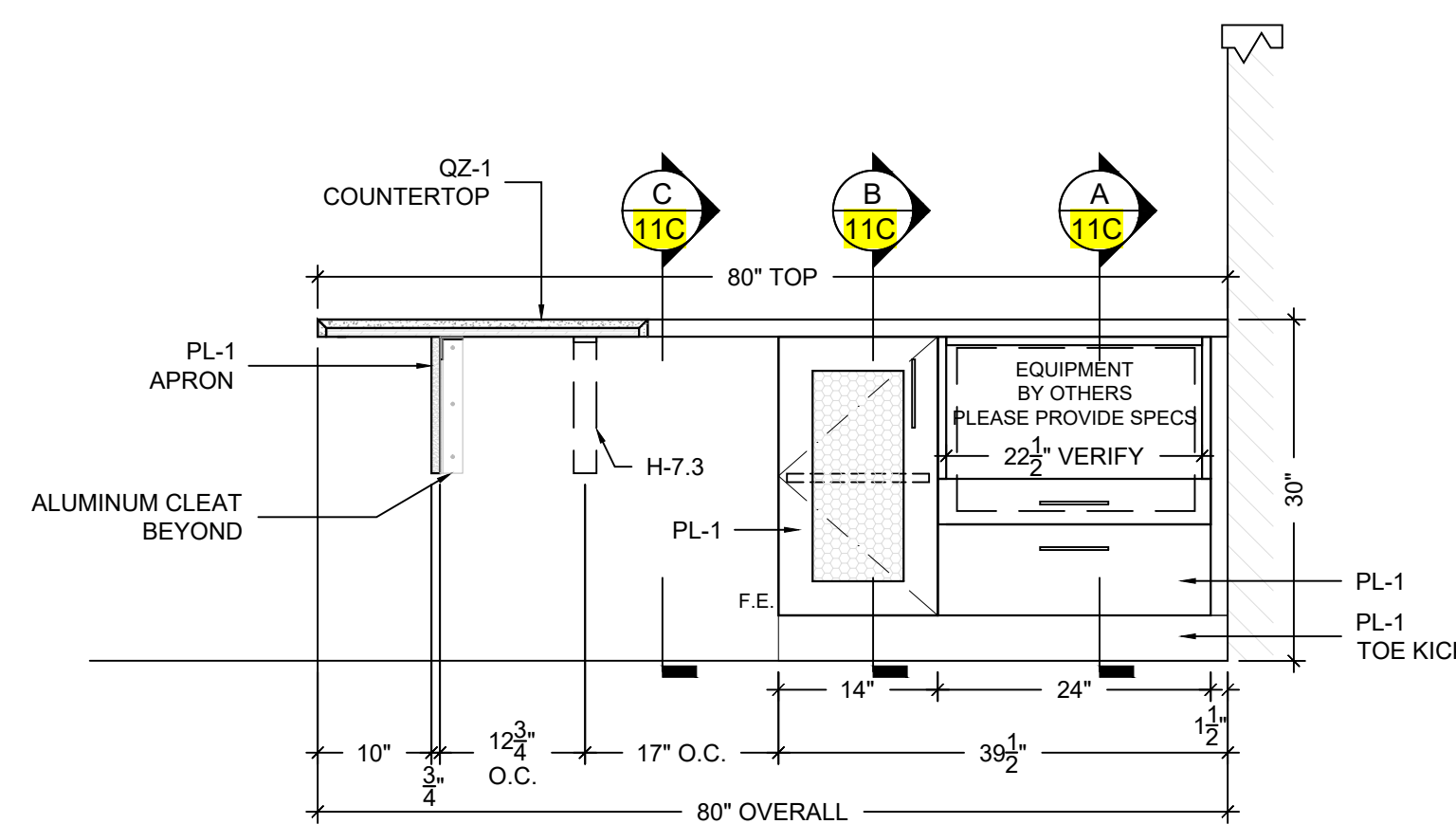
8 ELEVATION - CASEWORK @ CONSULT 213
SCALE: 3/4"=1'-0" ARCH. REF: NONE



9 ELEVATION - CASEWORK @ CONSULT 213
SCALE: 3/4"=1'-0" ARCH. REF: NONE



7 PLAN SECTION - CASEWORK @ CONSULT 213
SCALE: 3/4"=1'-0" ARCH. REF: NONE



10 ELEVATION - CASEWORK @ CONSULT 213
SCALE: 3/4"=1'-0" ARCH. REF: 4/A6.1 SIM

PROJECT:

ARCHITECT / DESIGNER:

CONTRACTOR:

LOCATION

CONSULT 212 & 213

ITEM

CASEWORK

PROJECT MANAGER:
XXX

DRAWN BY:
HD

SCALE:
AS NOTED

DATE DRAWN:
07/09/2020

REVISIONS:
#1: 10/08/2020

JOB NUMBER:
XXX

#2:
#3:
#4:
#5:
#6:
#7:
#8:

SHEET NUMBER:

11B

FINISH INDEX

MEL-1	MELAMINE INTERIORS WHITE COLOR
MTL-3	MILLWORK METAL GRILLE DOUG MOCKETT - GT GRILLE MESH 1 4/8" - WHITE
PL-1	PLASTIC LAMINATE NEVAMAR - S7024G - CHALK WHITE - FINISH: GLOSS
QZ-1	2CM QUARTZ HANSTONE CHANTILLY - GLOSS

HARDWARE INDEX

H-1.0	CONCEALED EUROPEAN HINGE BLUM - 170° SWING
H-2.0	6" WIRE PULL DOUG MOCKETT - DP128 - MATTE CHROME
H-3.3	DRAWER SLIDES ACCURIDE 3832 100LBS FULL EXTENSION 16"
H-4.0	5mm SHELF PINS KV 332 ANO - ANOCHROME FINISH
H-7.3	CONCEALED BRACKET A&M HARDWARE - C18 - 2.0
H-10.0	PLASTIC BUMPERS DOOR & DRAWER BUMPERS - PLASTIC TRANSPARENT

PROJECT:

ARCHITECT / DESIGNER:

CONTRACTOR:

LOCATION

CONSULT 212 & 213

ITEM

CASEWORK

PROJECT MANAGER:
XXX

DRAWN BY:
HD

SCALE:
AS NOTED

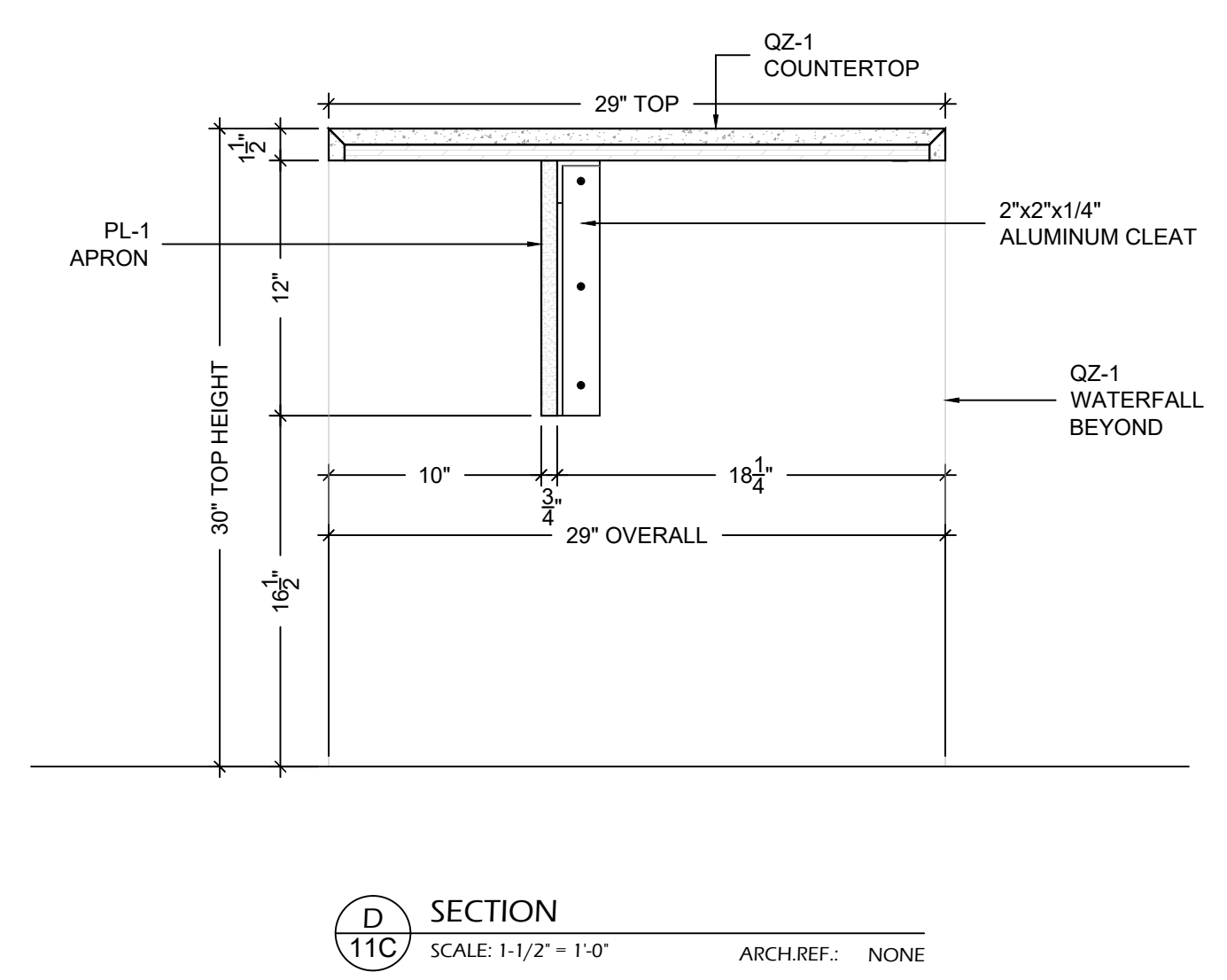
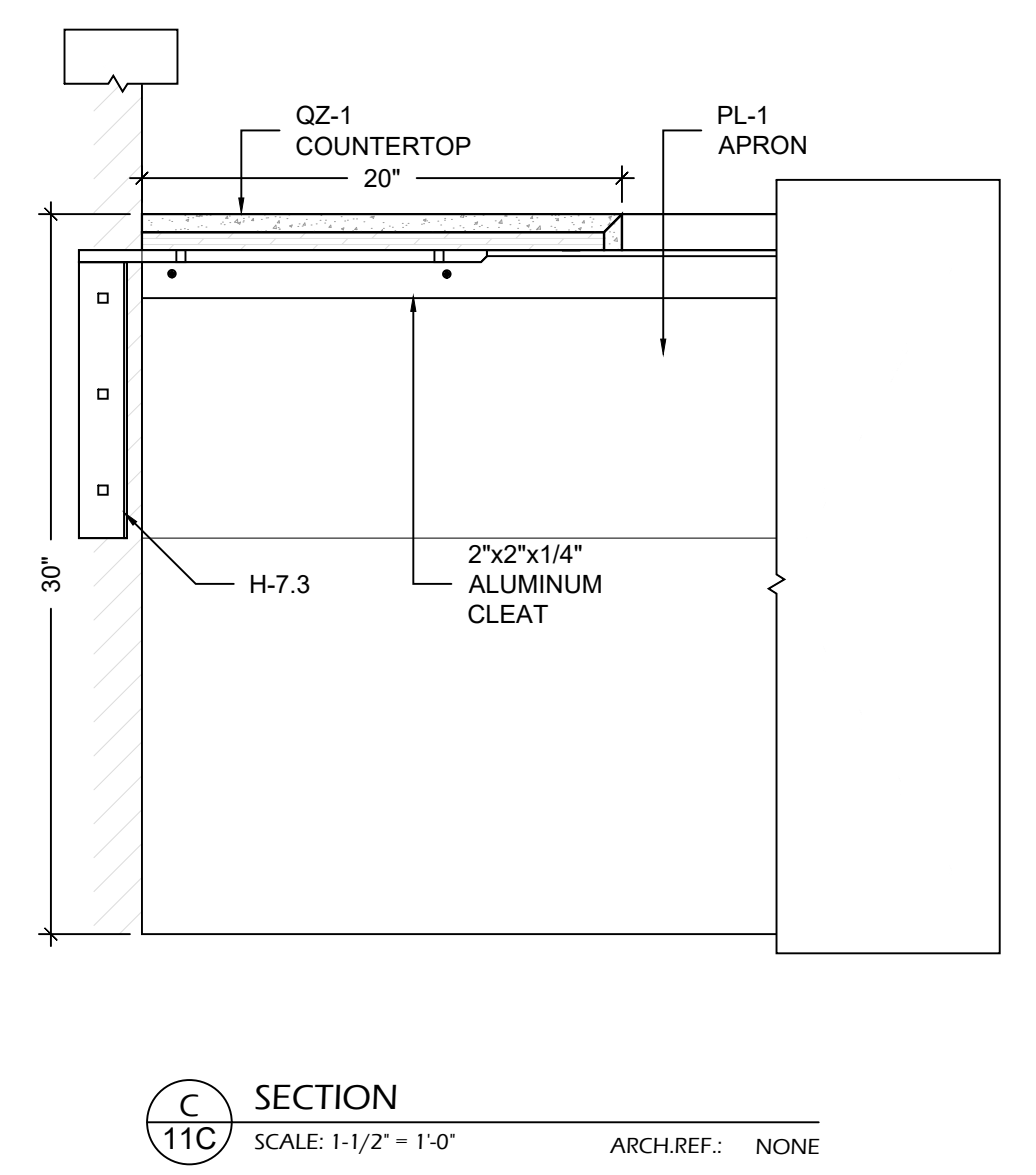
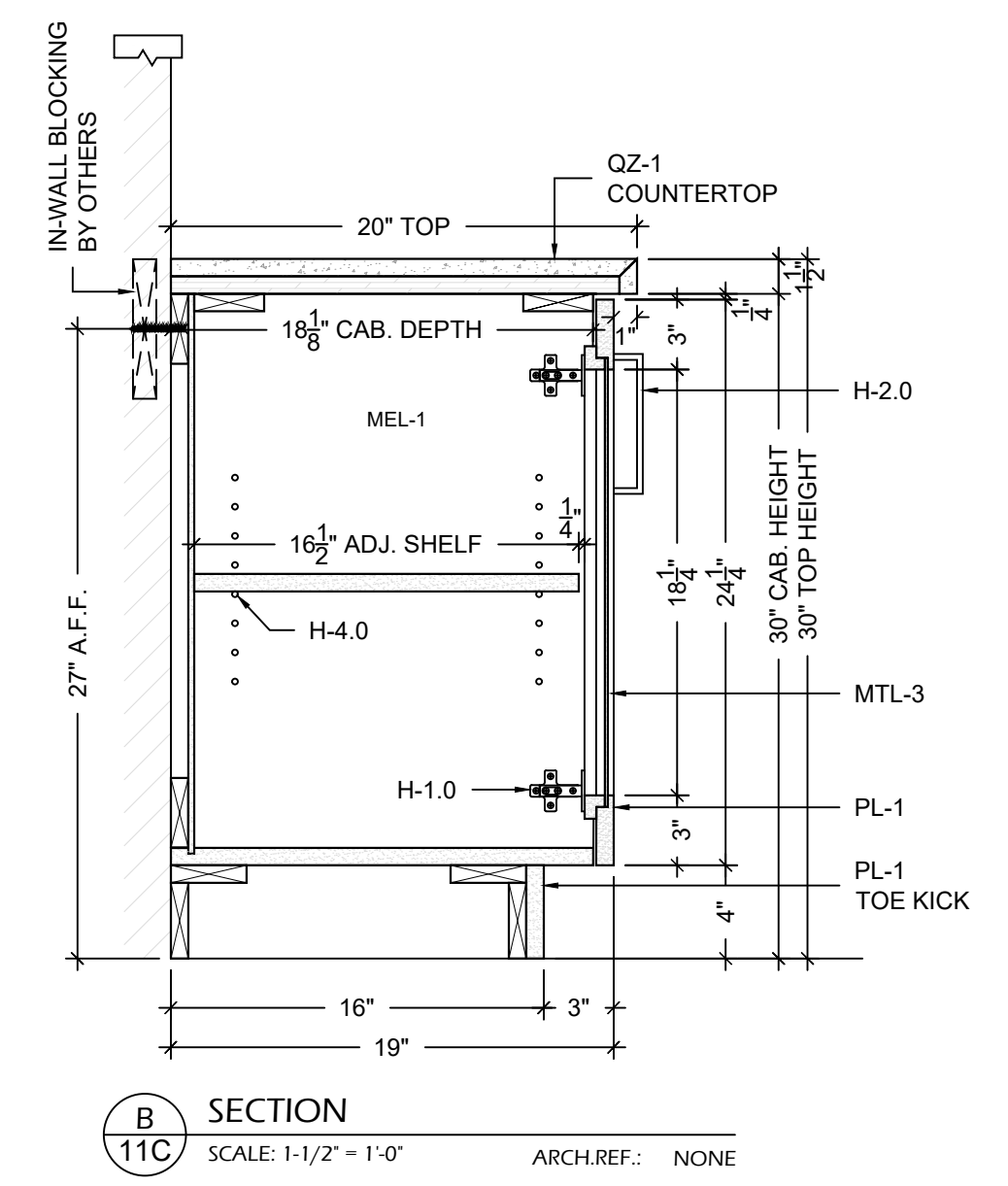
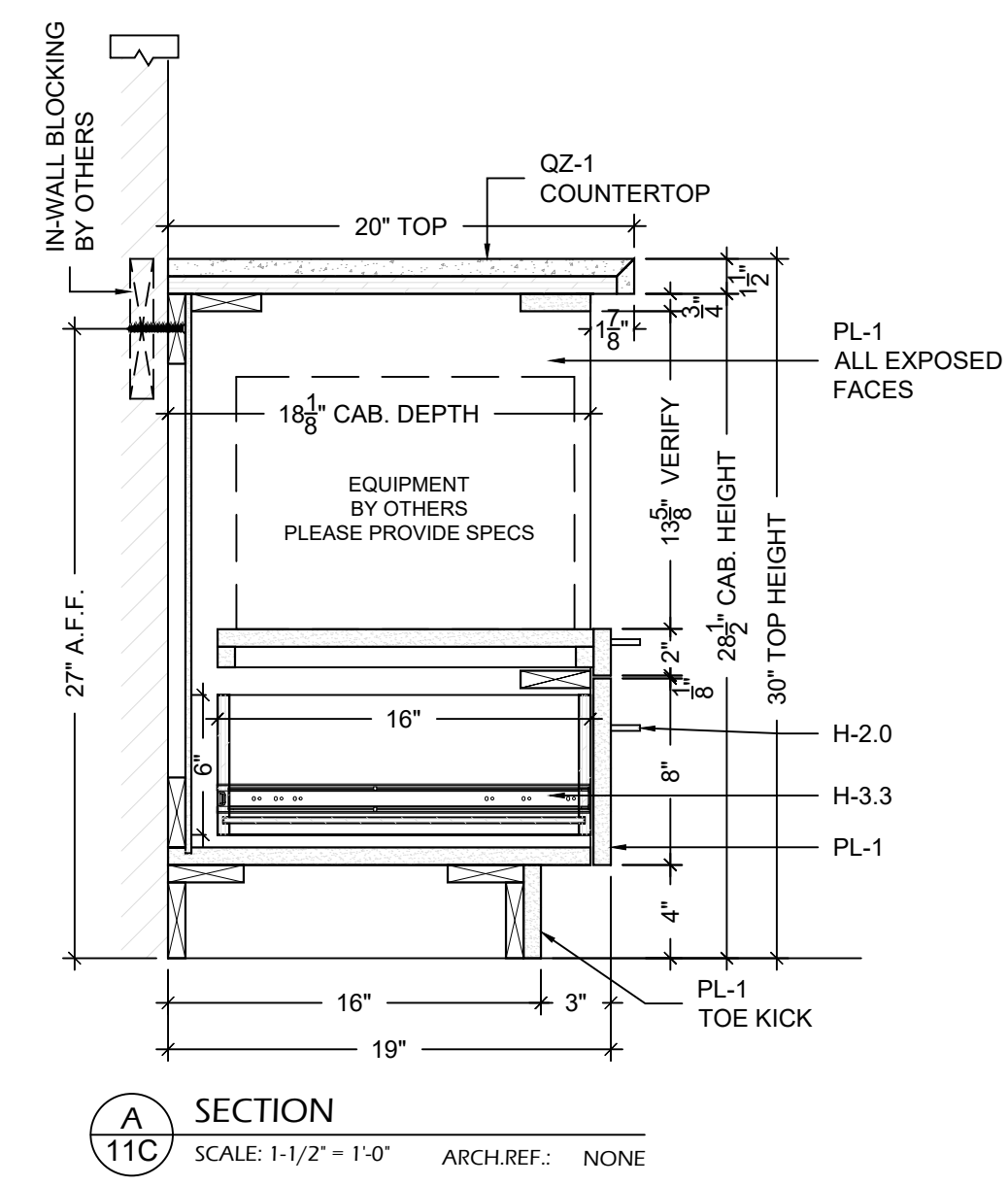
DATE DRAWN:
07/09/2020

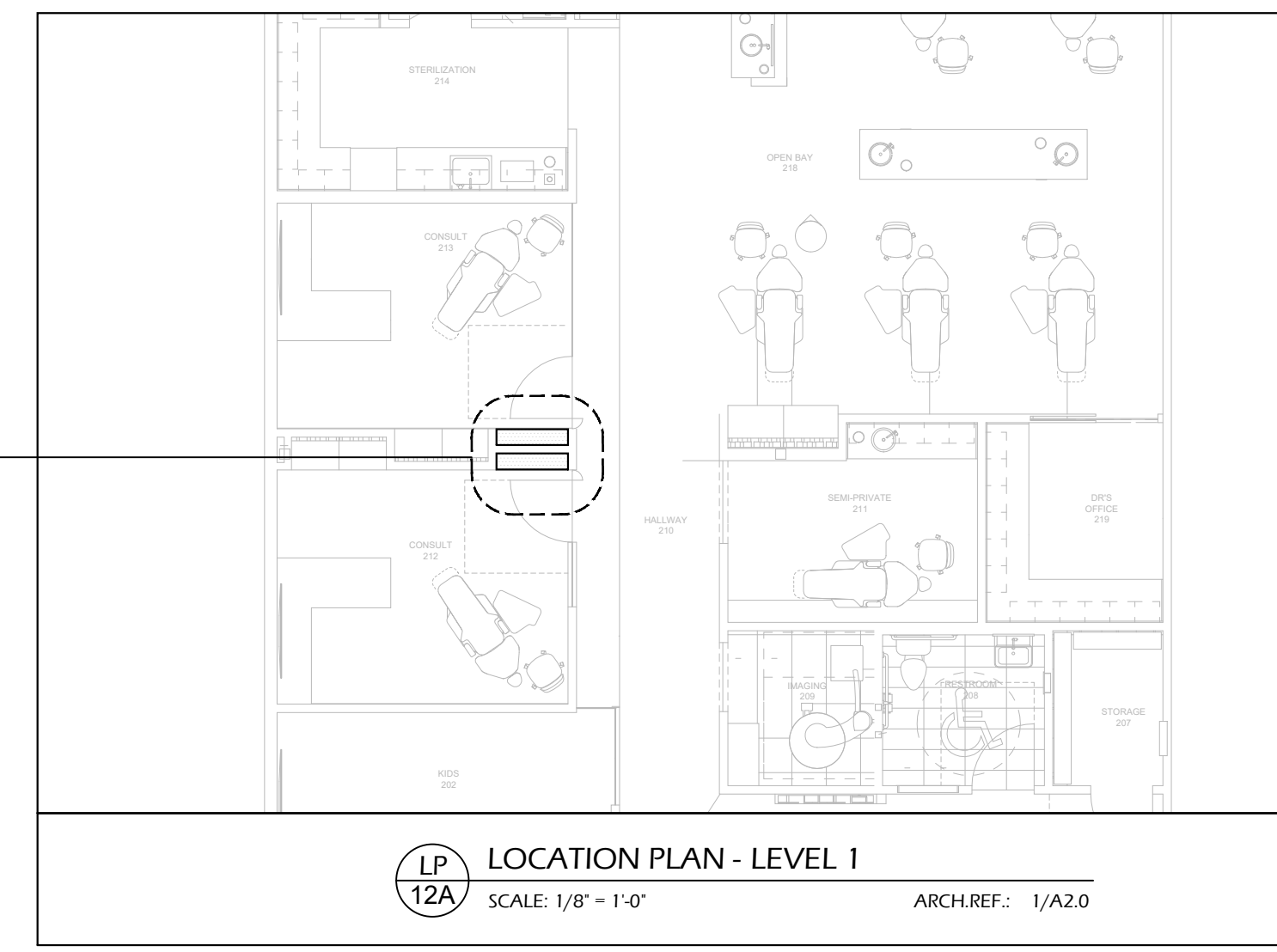
REVISIONS:
#1: 10/08/2020
#2:
#3:
#4:
#5:
#6:
#7:
#8:

JOB NUMBER:
XXX

SHEET NUMBER:

11C

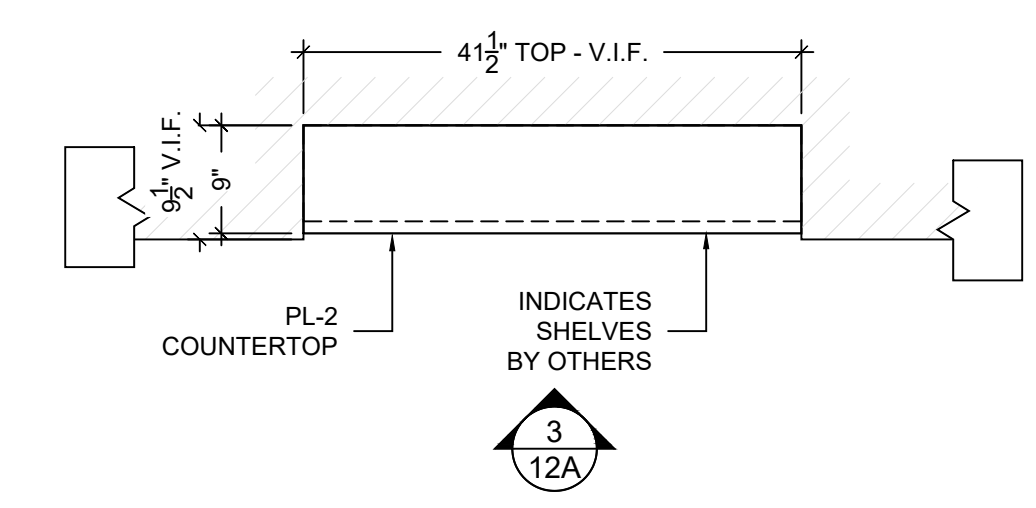




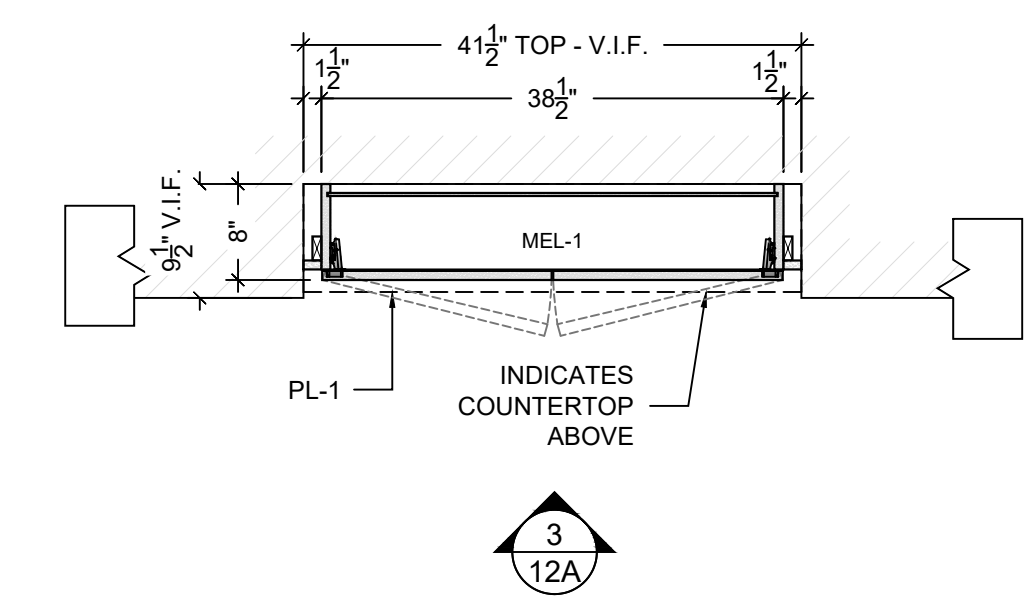
1P 12A LOCATION PLAN - LEVEL 1
SCALE: 1/8" = 1'-0" ARCH. REF: 1/AZ.0

FINISH INDEX	
MEL-1	MELAMINE INTERIORS WHITE COLOR
PL-1	PLASTIC LAMINATE NEVAMAR - S7024G - CHALK WHITE - FINISH: GLOSS
PL-2	PLASTIC LAMINATE NEVAMAR - NM555-T024-SD THRUCOLOR - CHALK WHITE - TEXTURED/SUEDE

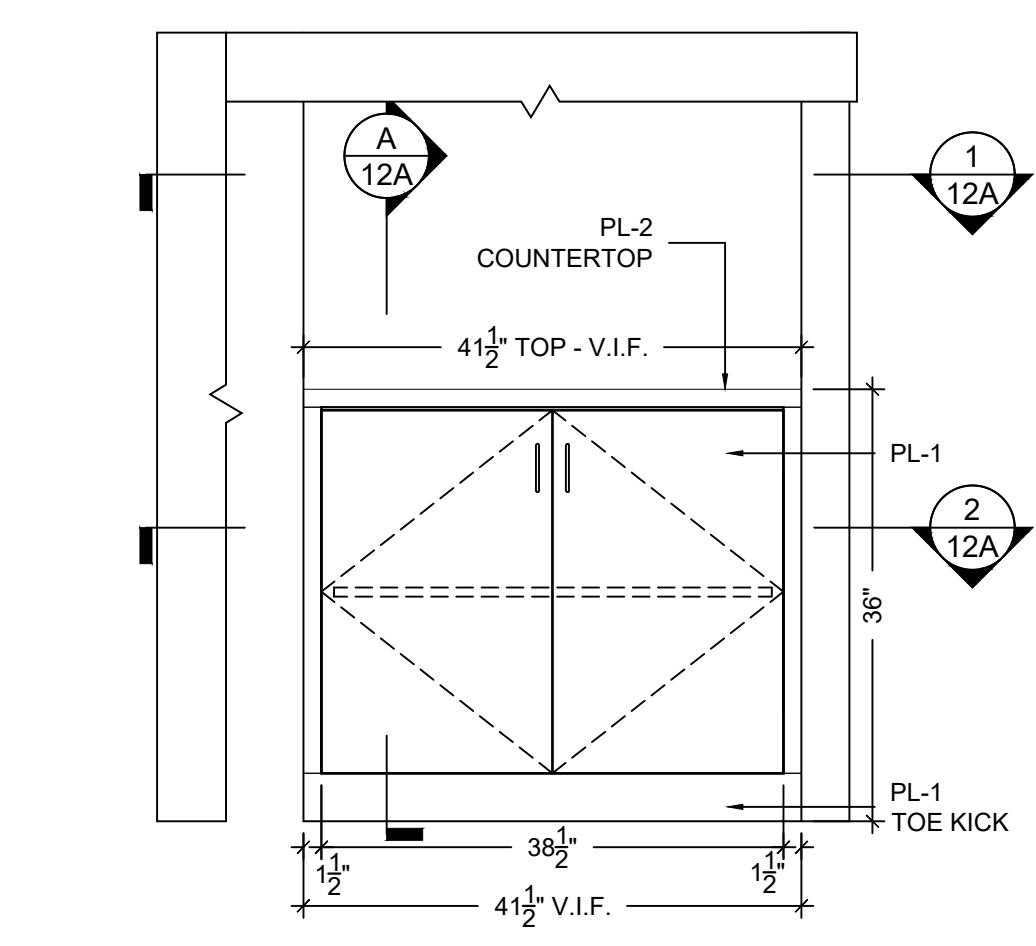
HARDWARE INDEX	
H-1.0	CONCEALED EUROPEAN HINGE BLUM - 170° SWING
H-2.0	6" WIRE PULL DOUG MOCKETT - DP128 - MATTE CHROME
H-4.0	5mm SHELF PINS KV 332 ANO - ANOCHROME FINISH
H-10.0	PLASTIC BUMPERS DOOR & DRAWER BUMPERS - PLASTIC TRANSPARENT



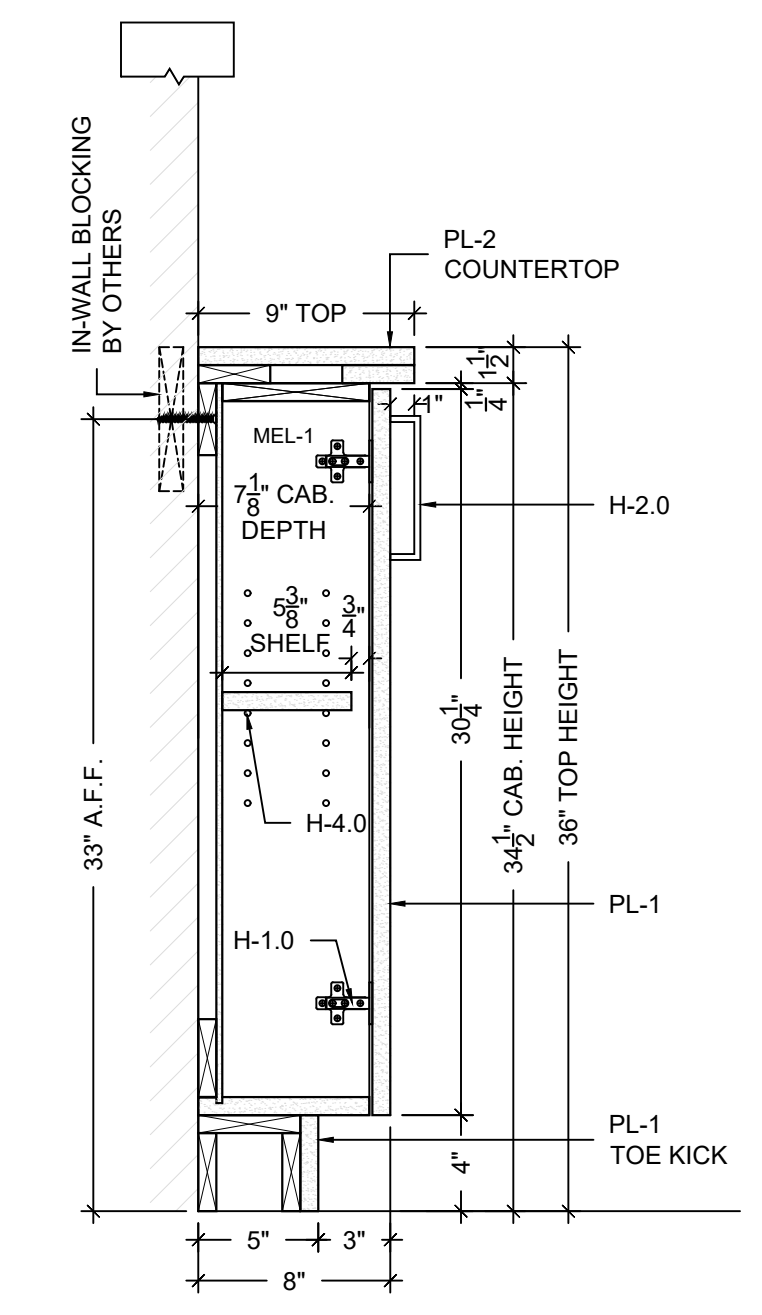
1 12A PLAN VIEW - DISPLAY CABINET (2 EA. REQ'D)
SCALE: 3/4" = 1'-0" ARCH. REF: 1/AZ.0



2 12A PLAN SECTION - DISPLAY CABINET (2 EA. REQ'D)
SCALE: 3/4" = 1'-0" ARCH. REF: NONE



3 12A ELEVATION - DISPLAY CABINET (2 EA. REQ'D)
SCALE: 3/4" = 1'-0" ARCH. REF: 5/A6.1



A 12A SECTION
SCALE: 1-1/2" = 1'-0" ARCH. REF: NONE

PROJECT:

ARCHITECT / DESIGNER:

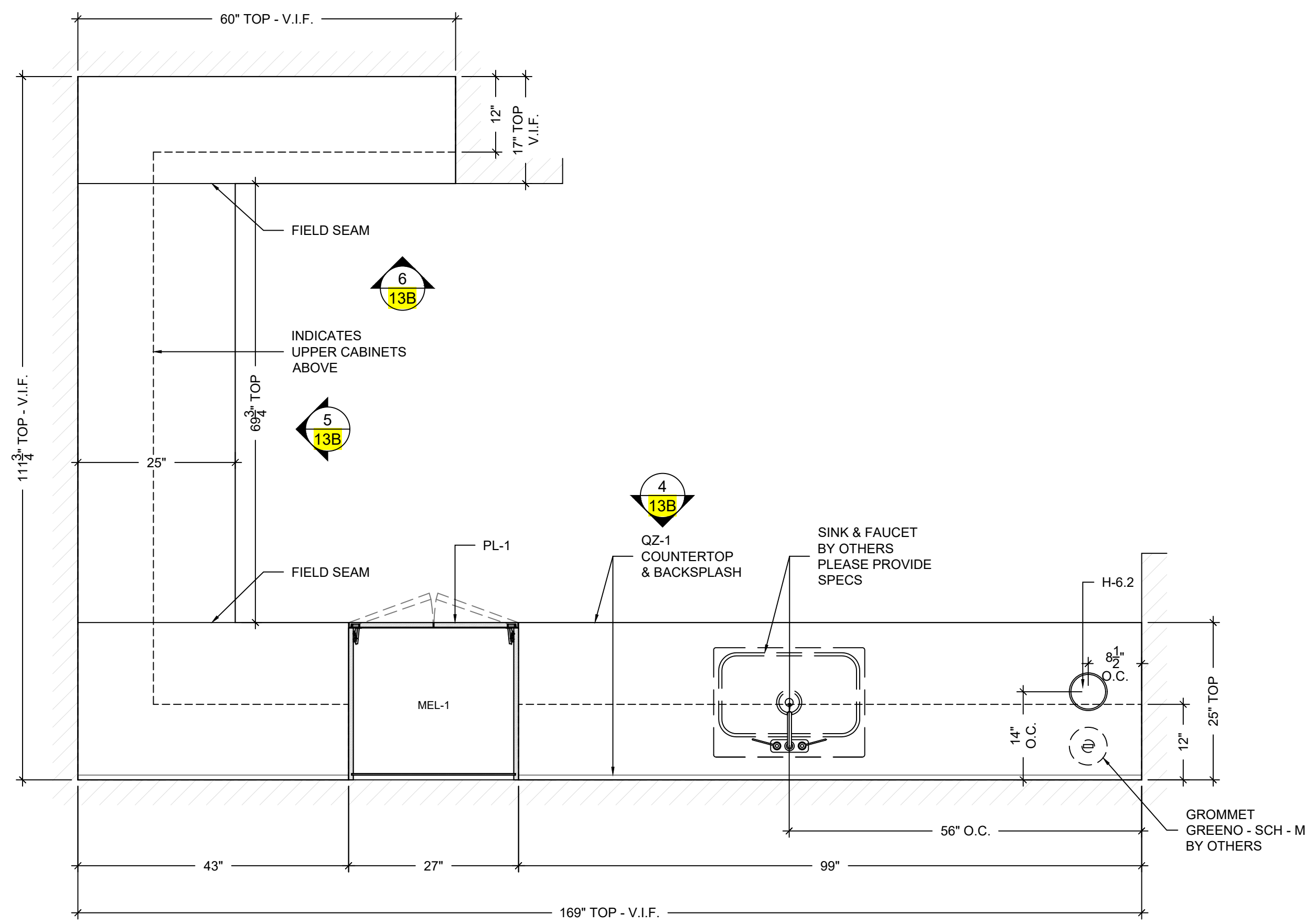
CONTRACTOR:

LOCATION
CONSULT 212 & 213

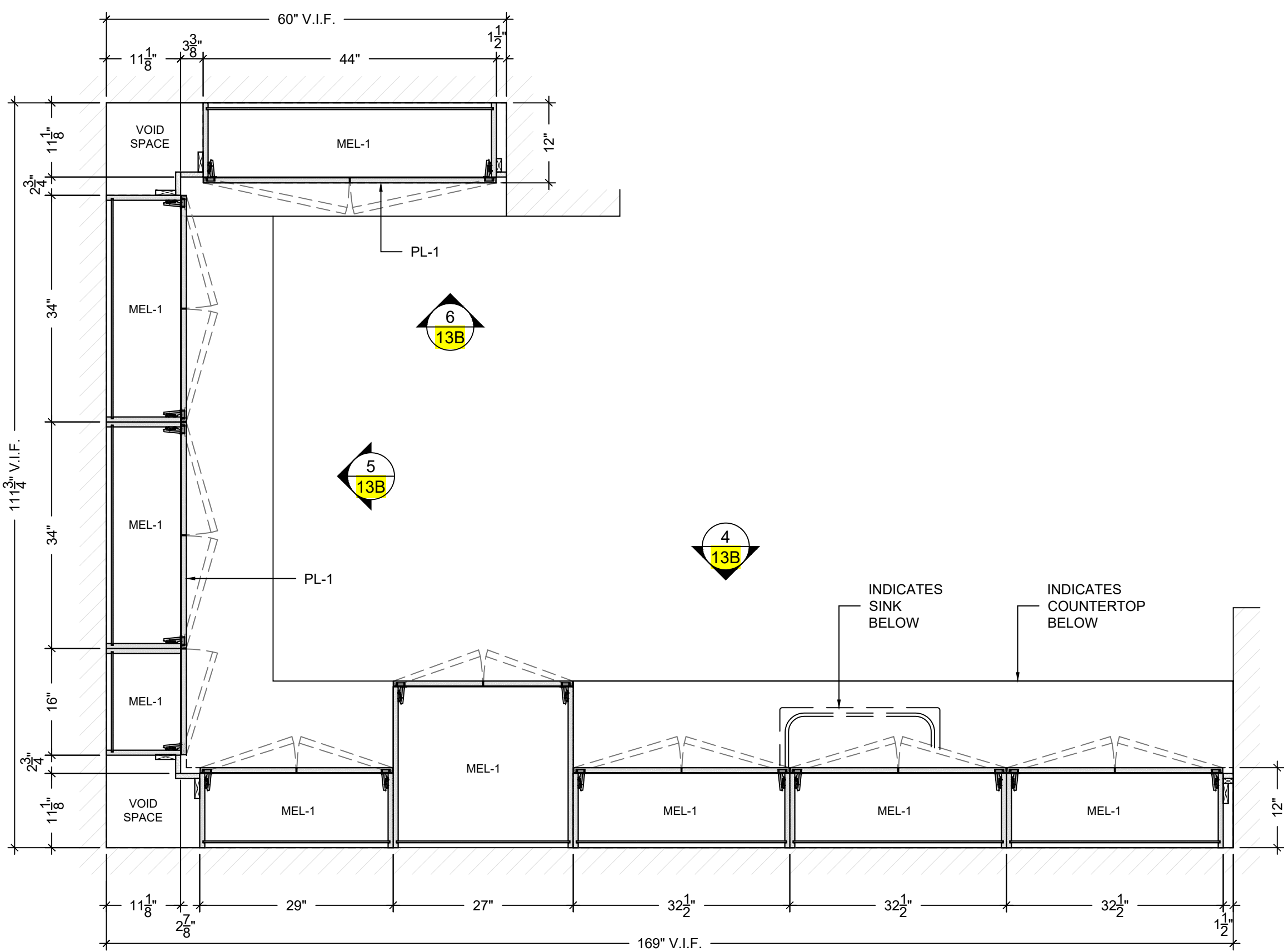
ITEM
DISPLAY CABINET (2 EA. REQ'D)

PROJECT MANAGER: XXX	DRAWN BY: HD
SCALE: AS NOTED	DATE DRAWN: 07/09/2020
REVISIONS: #1: 10/08/2020 #2: #3: #4: #5: #6: #7: #8:	JOB NUMBER: XXX SHEET NUMBER: 12A

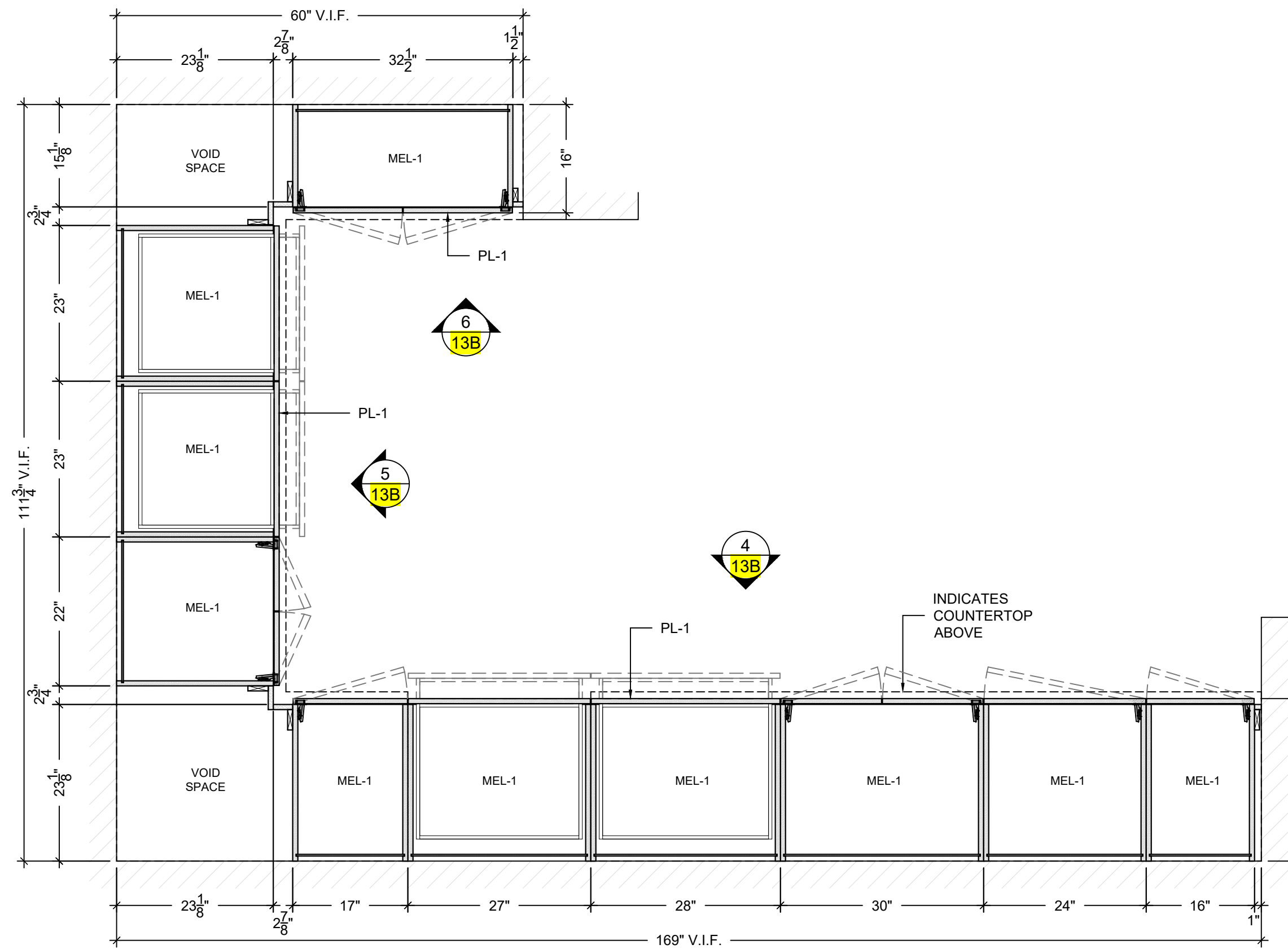
BY OTHERS SCHEDULE					
ITEM	EQUIPMENT	MANUFACTURER	MODEL	DIMENSIONS	COUNTER CUT OUTS
B/O-1	PAPEL TOWER DISPENSER	GREENO	#1 T TOWEL	4-1/2"W x 11"D x 6"H	-
B/O-5	RECESSED DOUBLE GLOVE DISPENSER	GREENO	GBH-D0	4"W x 11"D x 2-1/2"H	-



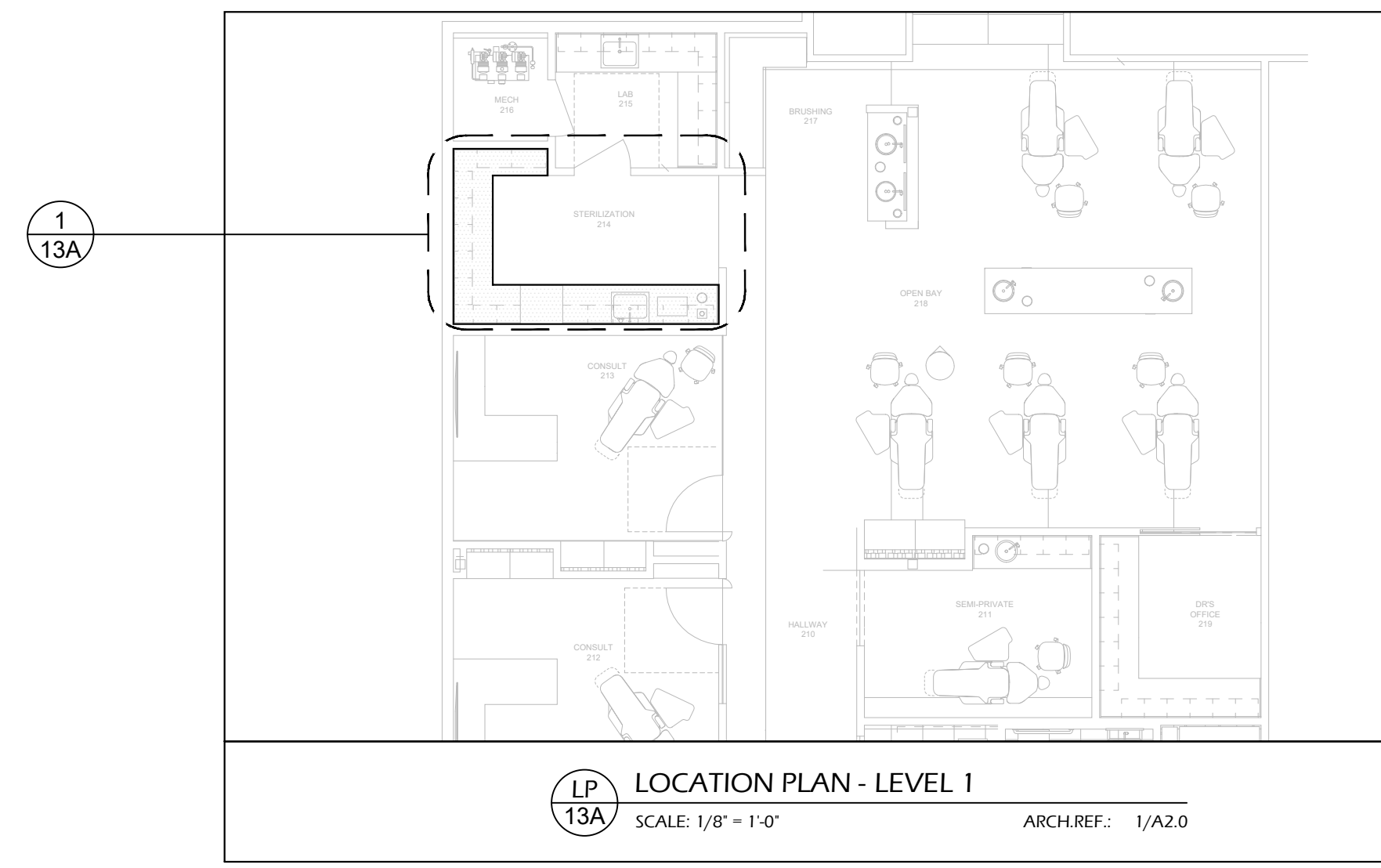
1 PLAN VIEW - CASEWORK @ STERILIZATION 214
SCALE: 3/4" = 1'-0" ARCH. REF.: 1/A2.0



2 PLAN SECTION - CASEWORK @ STERILIZATION 214
SCALE: 3/4" = 1'-0" ARCH. REF.: NONE



3 PLAN SECTION - CASEWORK @ STERILIZATION 214
SCALE: 3/4" = 1'-0" ARCH. REF.: NONE



LP LOCATION PLAN - LEVEL 1
SCALE: 1/8" = 1'-0" ARCH. REF.: 1/A2.0

FINISH INDEX	
MEL-1	MELAMINE INTERIORS WHITE COLOR
PL-1	PLASTIC LAMINATE NEVAMAR - S7024G - CHALK WHITE - FINISH: GLOSS
OZ-1	2CM QUARTZ HANSTONE CHANTILLY - GLOSS

HARDWARE INDEX	
H-1.0	CONCEALED EUROPEAN HINGE BLUM - 170° SWING
H-2.0	6" WIRE PULL DOUG MOCKETT - DP128 - MATTE CHROME
H-3.5	DRAWER SLIDES ACCURIDE 3832 100LBS FULL EXTENSION 20"
H-3.7	HEAVY DUTY SLIDE ACCURIDE 3832 265LBS FULL EXTENSION 22"
H-4.0	5mm SHELF PINS KV 332 ANO - ANOCHROME FINISH
H-6.2	6" TRASH DROP MOCKETT - TM1A - STAINLESS STEEL - 2" DEEP
H-10.0	PLASTIC BUMPERS DOOR & DRAWER BUMPERS - PLASTIC TRANSPARENT

PROJECT:

ARCHITECT / DESIGNER:

CONTRACTOR:

LOCATION

STERILIZATION 214

ITEM

CASEWORK

PROJECT MANAGER:

DRAWN BY:

XXX

HD

SCALE:

DATE DRAWN:

AS NOTED

07/09/2020

REVISIONS:

JOB NUMBER:

#1: 10/08/2020

XXX

#2:

SHEET NUMBER:

#3:

13A

#4:

#5:

#6:

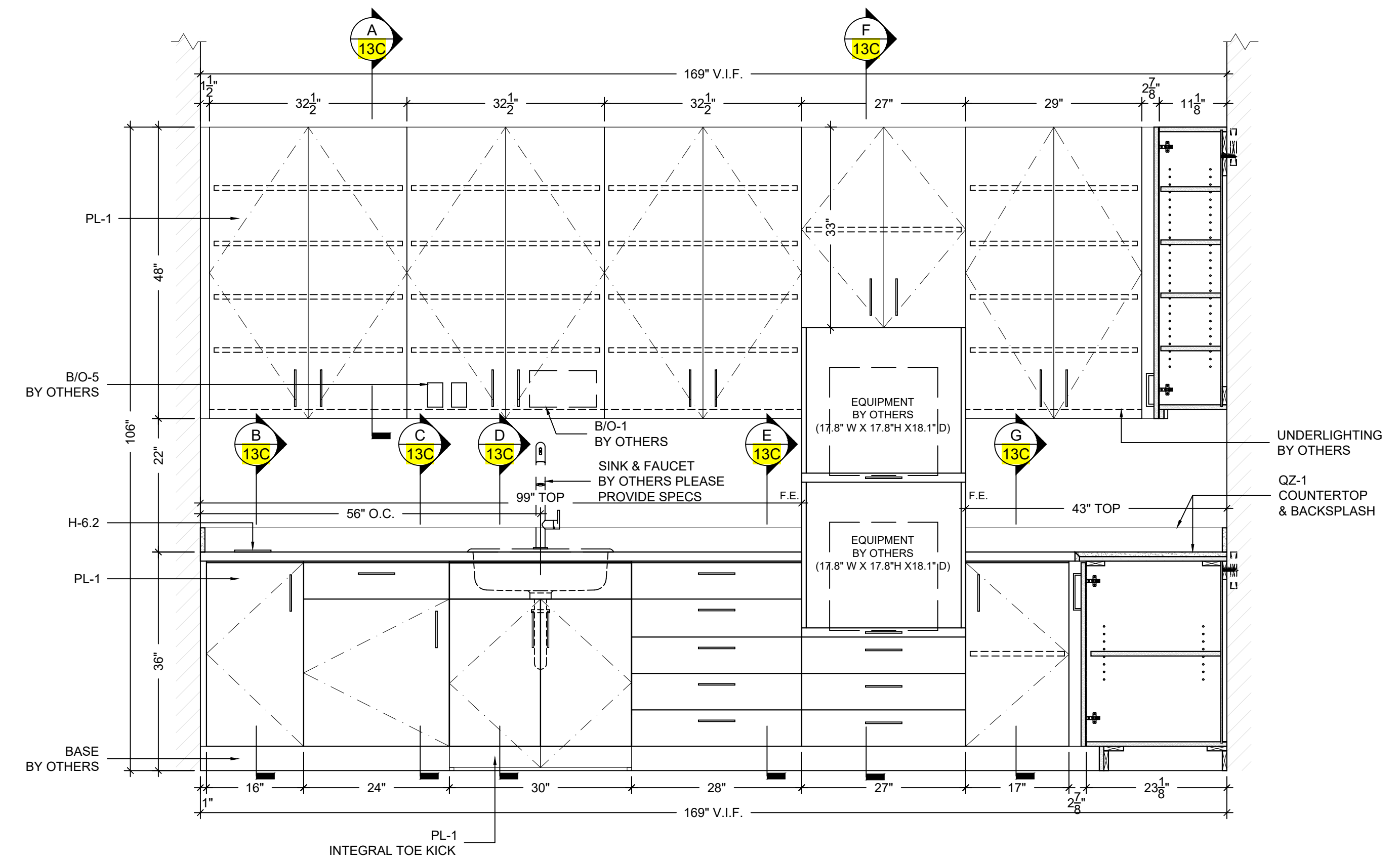
#7:

#8:

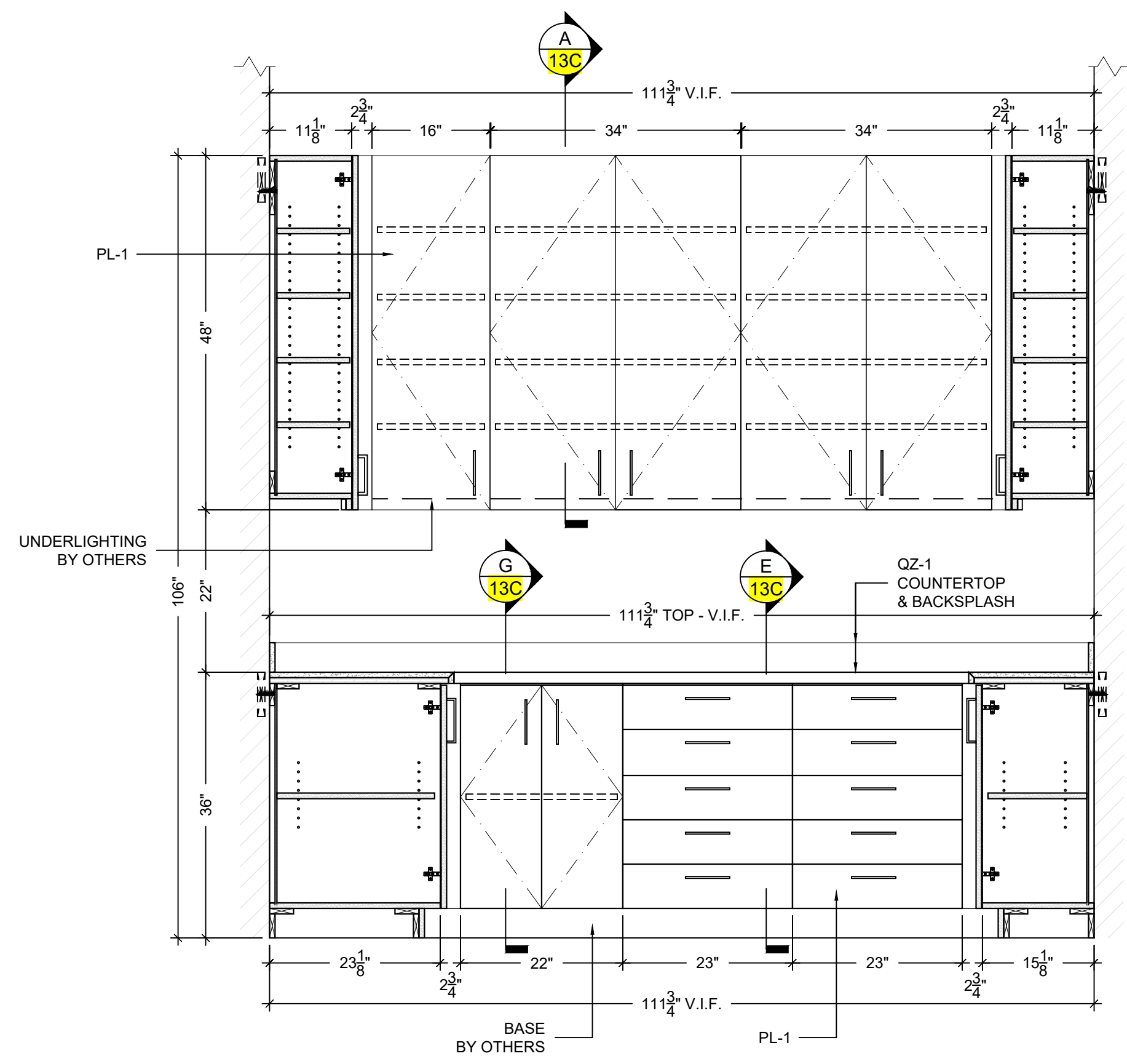
BY OTHERS SCHEDULE					
ITEM	EQUIPMENT	MANUFACTURER	MODEL	DIMENSIONS	COUNTER CUT OUTS
B/O-1	PAPEL TOWER DISPENSER	GREENO	#1 T TOWEL	4-1/2"W x 11"D x 6"H	-
B/O-5	RECESSED DOUBLE GLOVE DISPENSER	GREENO	GBH-D0	4"W x 11"D x 2-1/2"H	-

FINISH INDEX	
MEL-1	MELAMINE INTERIORS WHITE COLOR
PL-1	PLASTIC LAMINATE NEVAMAR - S7024G - CHALK WHITE - FINISH: GLOSS
QZ-1	2CM QUARTZ HANSTONE CHANTILLY - GLOSS

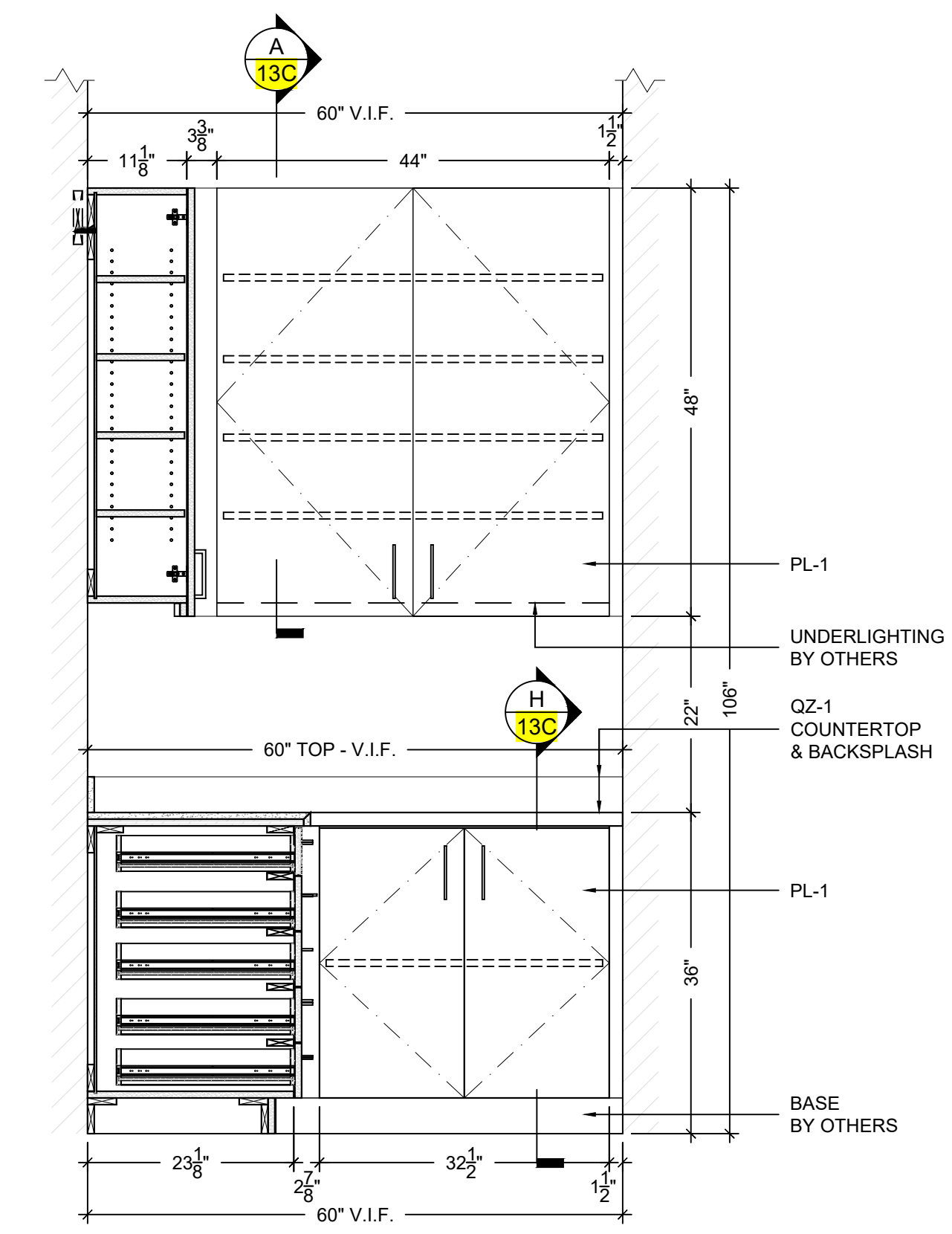
HARDWARE INDEX	
H-1.0	CONCEALED EUROPEAN HINGE BLUM - 170° SWING
H-2.0	6" WIRE PULL DOUG MOCKETT - DP128 - MATTE CHROME
H-3.5	DRAWER SLIDES ACCURIDE 3832 100LBS FULL EXTENSION 20"
H-3.7	HEAVY DUTY SLIDE ACCURIDE 3832 265LBS FULL EXTENSION 22"
H-4.0	5mm SHELF PINS KV 332 ANO - ANOCHROME FINISH
H-6.2	6" TRASH DROP MOCKETT - TM1A - STAINLESS STEEL - 2"DEEP
H-10.0	PLASTIC BUMPERS DOOR & DRAWER BUMPERS - PLASTIC TRANSPARENT



4 ELEVATION - CASEWORK @ STERILIZATION 214
SCALE: 3/4" = 1'-0" ARCH. REF.: 6/A6.1



5 ELEVATION - CASEWORK @ STERILIZATION 214
SCALE: 3/4" = 1'-0" ARCH. REF.: 7/A6.1



6 ELEVATION - CASEWORK @ STERILIZATION 214
SCALE: 3/4" = 1'-0" ARCH. REF.: 8/A6.1

PROJECT:

ARCHITECT / DESIGNER:

CONTRACTOR:

LOCATION

STERILIZATION 214

ITEM

CASEWORK

PROJECT MANAGER:
XXX

DRAWN BY:
HD

SCALE:
AS NOTED

DATE DRAWN:
07/09/2020

REVISIONS:
#1: 10/08/2020
#2:
#3:
#4:
#5:
#6:
#7:
#8:

JOB NUMBER:
XXX

SHEET NUMBER:

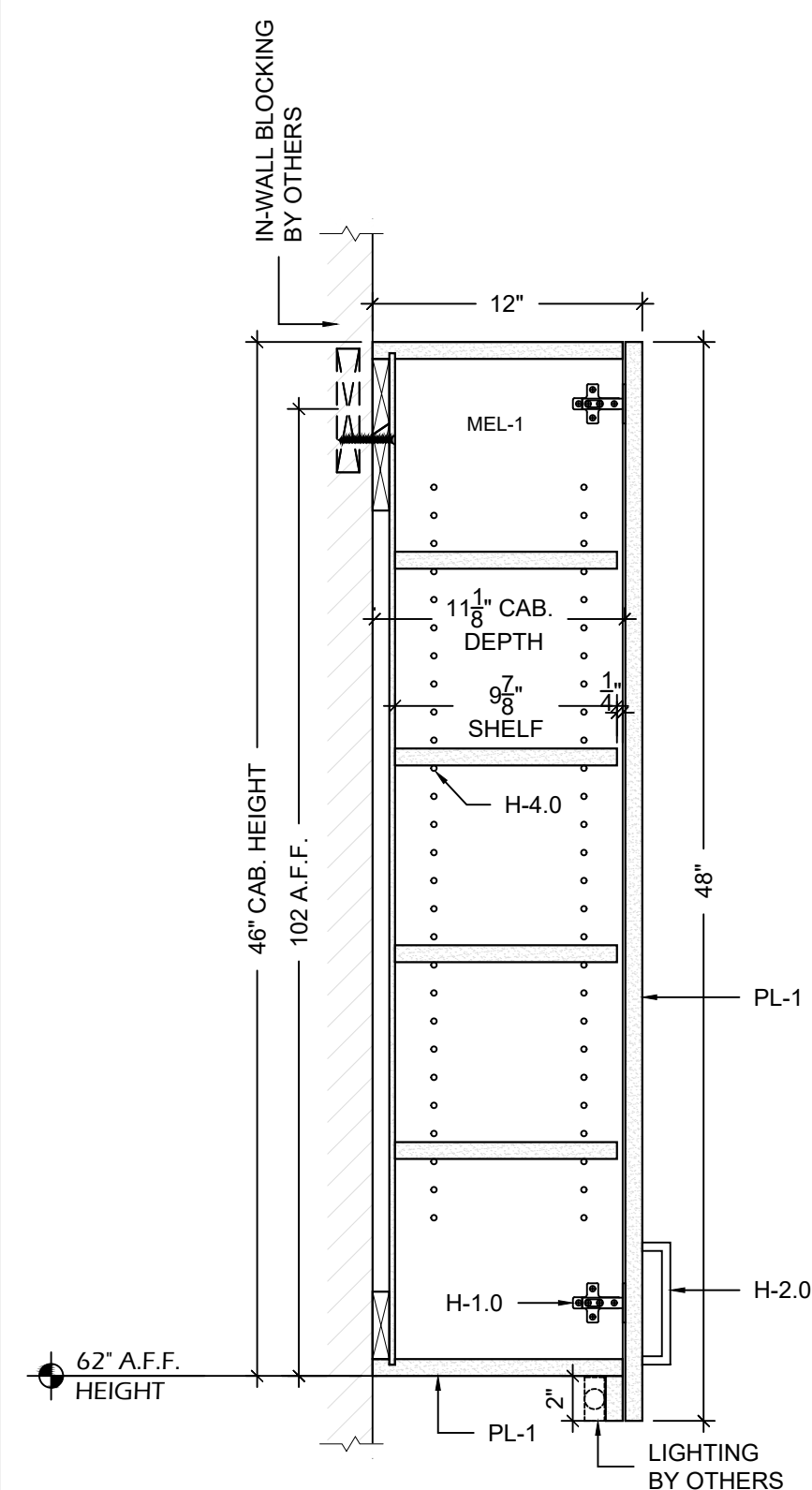
13B

FINISH INDEX

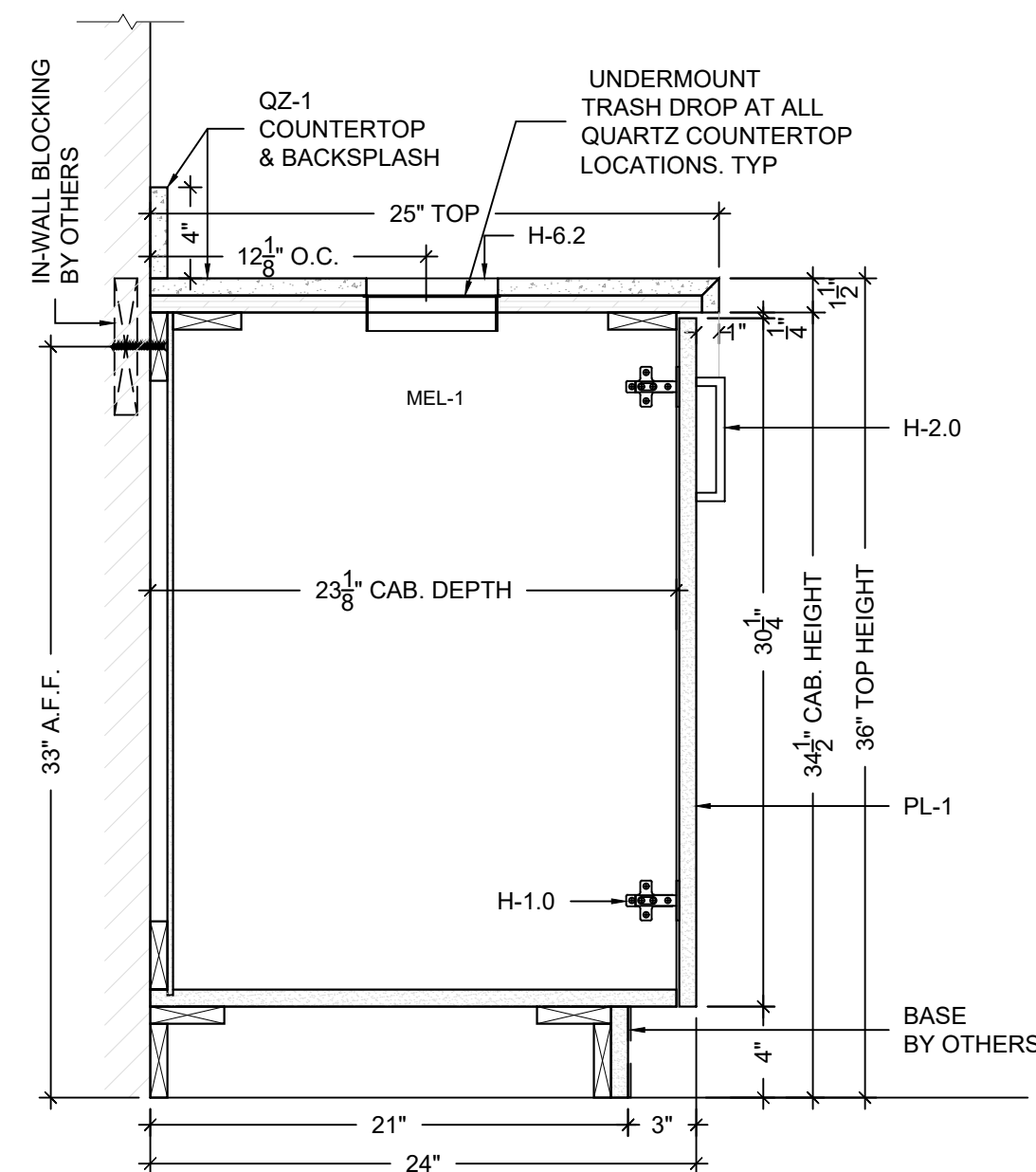
MEL-1	MELAMINE INTERIORS WHITE COLOR
PL-1	PLASTIC LAMINATE NEVAMAR - S7024G - CHALK WHITE - FINISH: GLOSS
OZ-1	2CM QUARTZ HANSTONE CHANTILLY - GLOSS

HARDWARE INDEX

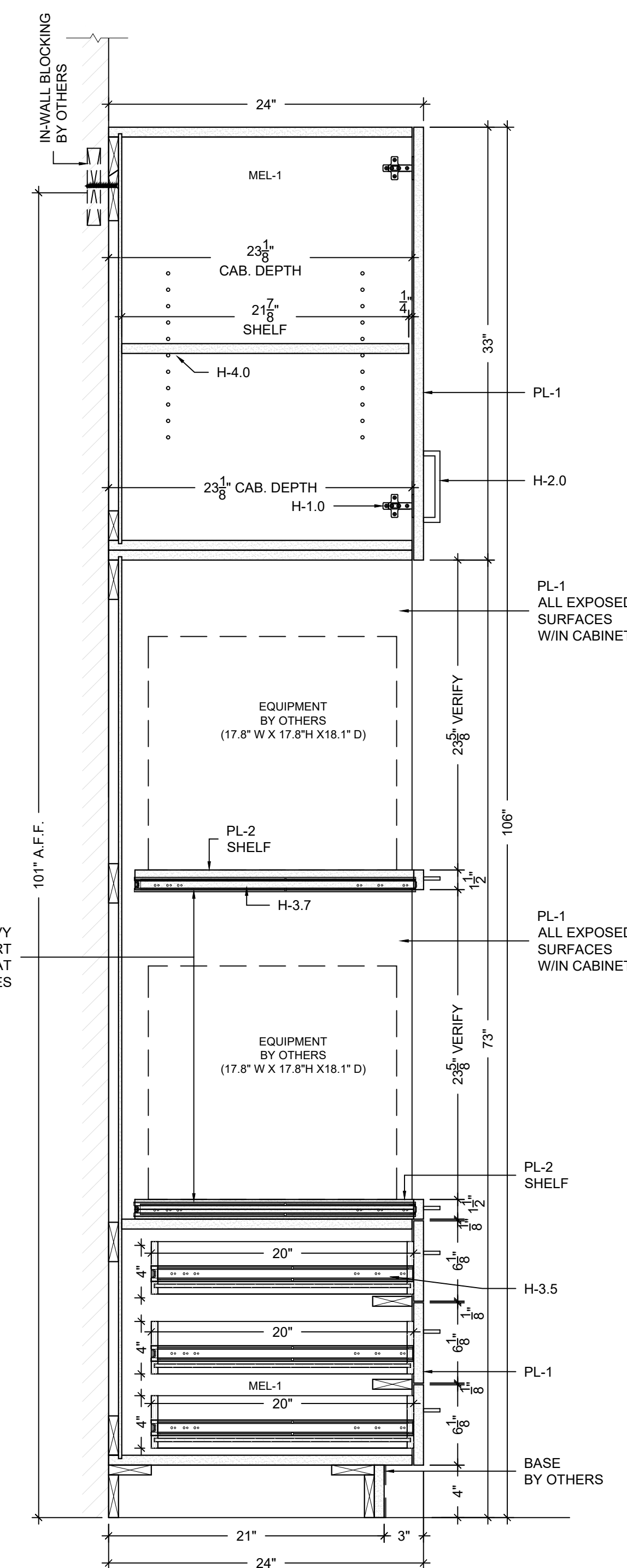
H-1.0	CONCEALED EUROPEAN HINGE BLUM - 170° SWING
H-2.0	6" WIRE PULL DOUG MOCKETT - DP128 - MATTE CHROME
H-3.5	DRAWER SLIDES ACCURIDE 3832 100LBS FULL EXTENSION 20"
H-3.7	HEAVY DUTY SLIDE ACCURIDE 3832 265LBS FULL EXTENSION 22"
H-4.0	5mm SHELF PINS KV 332 ANO - ANOCHROME FINISH
H-6.2	6" TRASH DROP MOCKETT - TM1A - STAINLESS STEEL - 2" DEEP
H-10.0	PLASTIC BUMPERS DOOR & DRAWER BUMPERS - PLASTIC TRANSPARENT



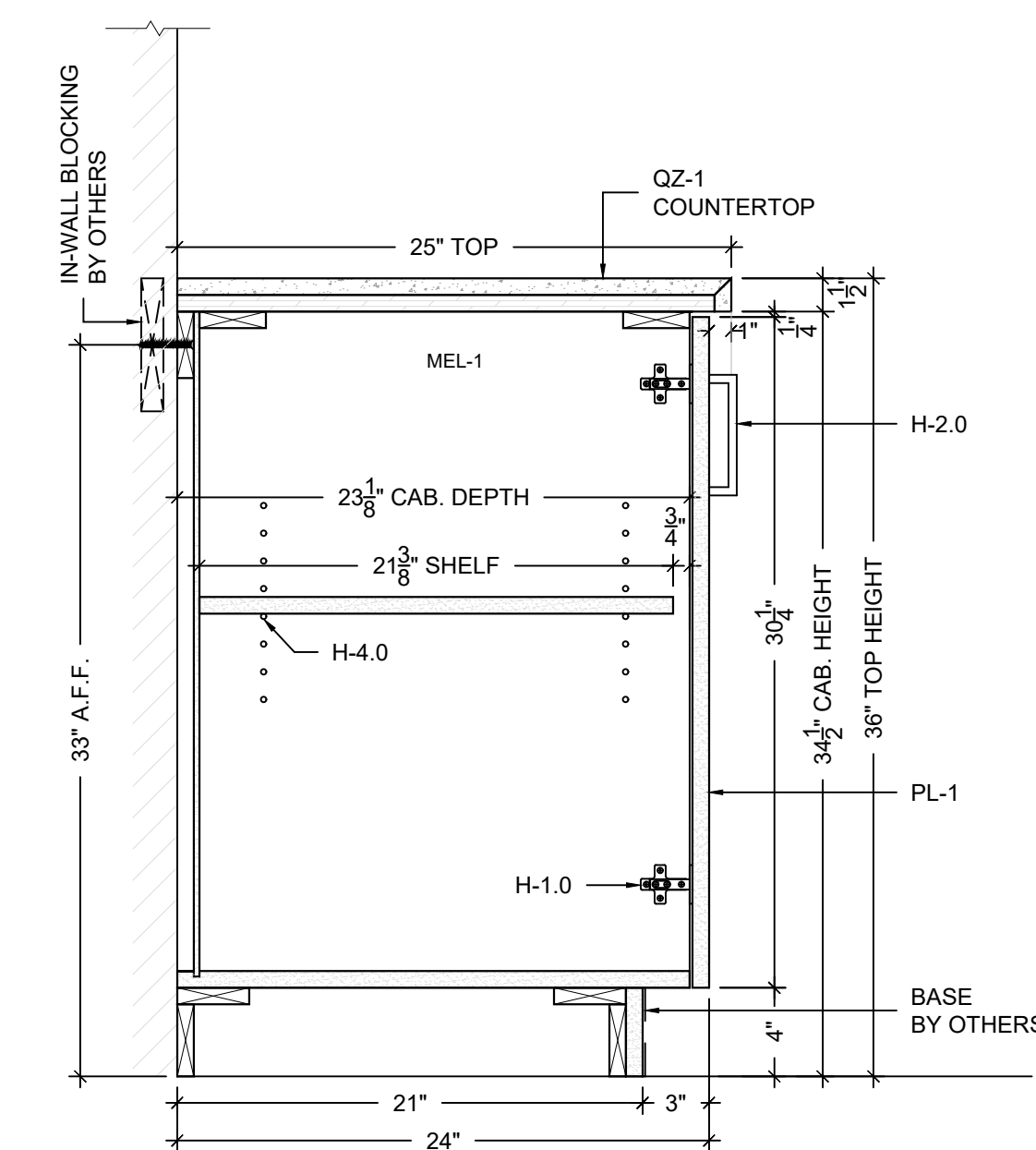
A SECTION
13C SCALE: 1-1/2" = 1'-0" ARCH. REF.: NONE



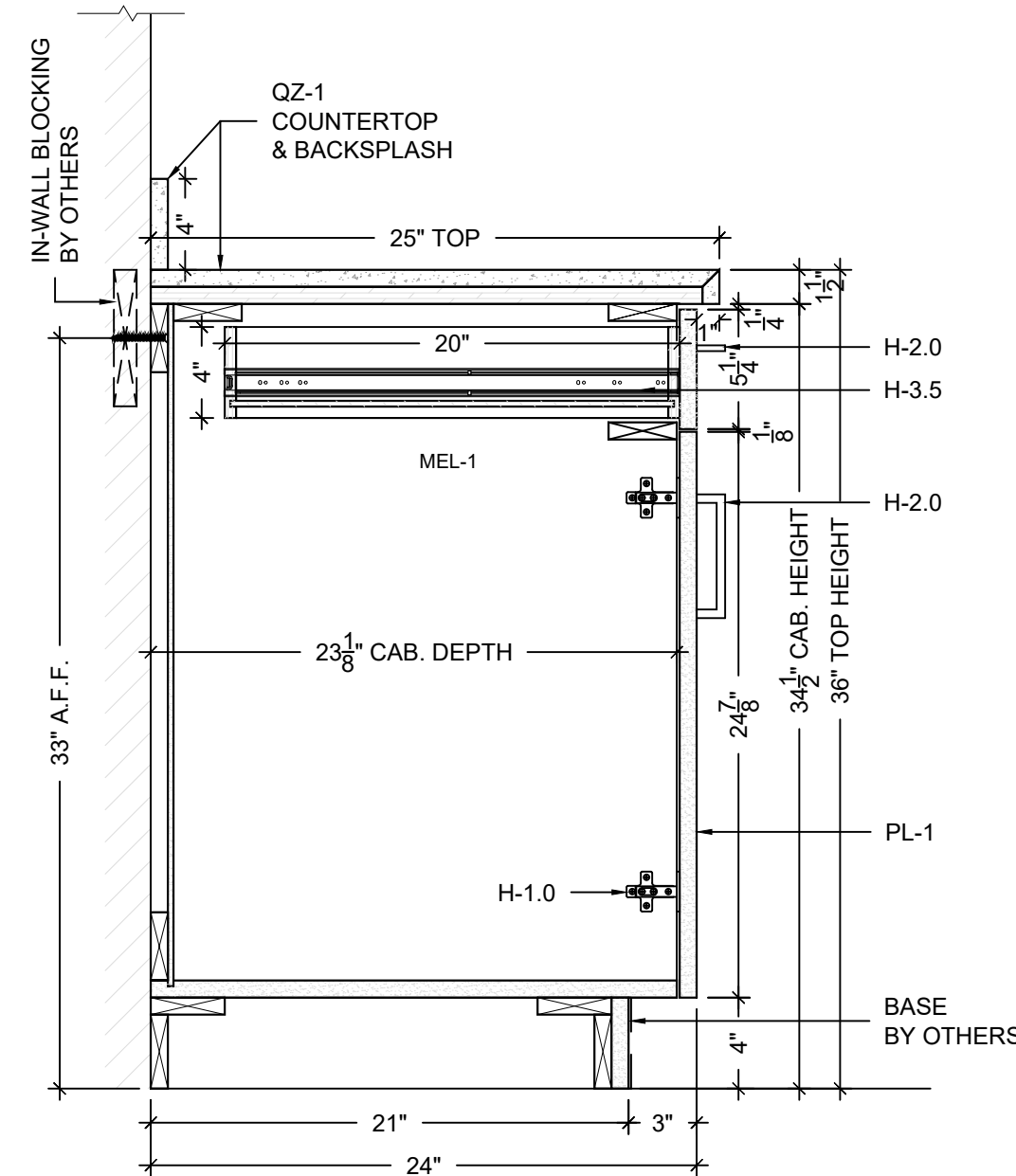
B SECTION
13C SCALE: 1-1/2" = 1'-0" ARCH. REF.: NONE



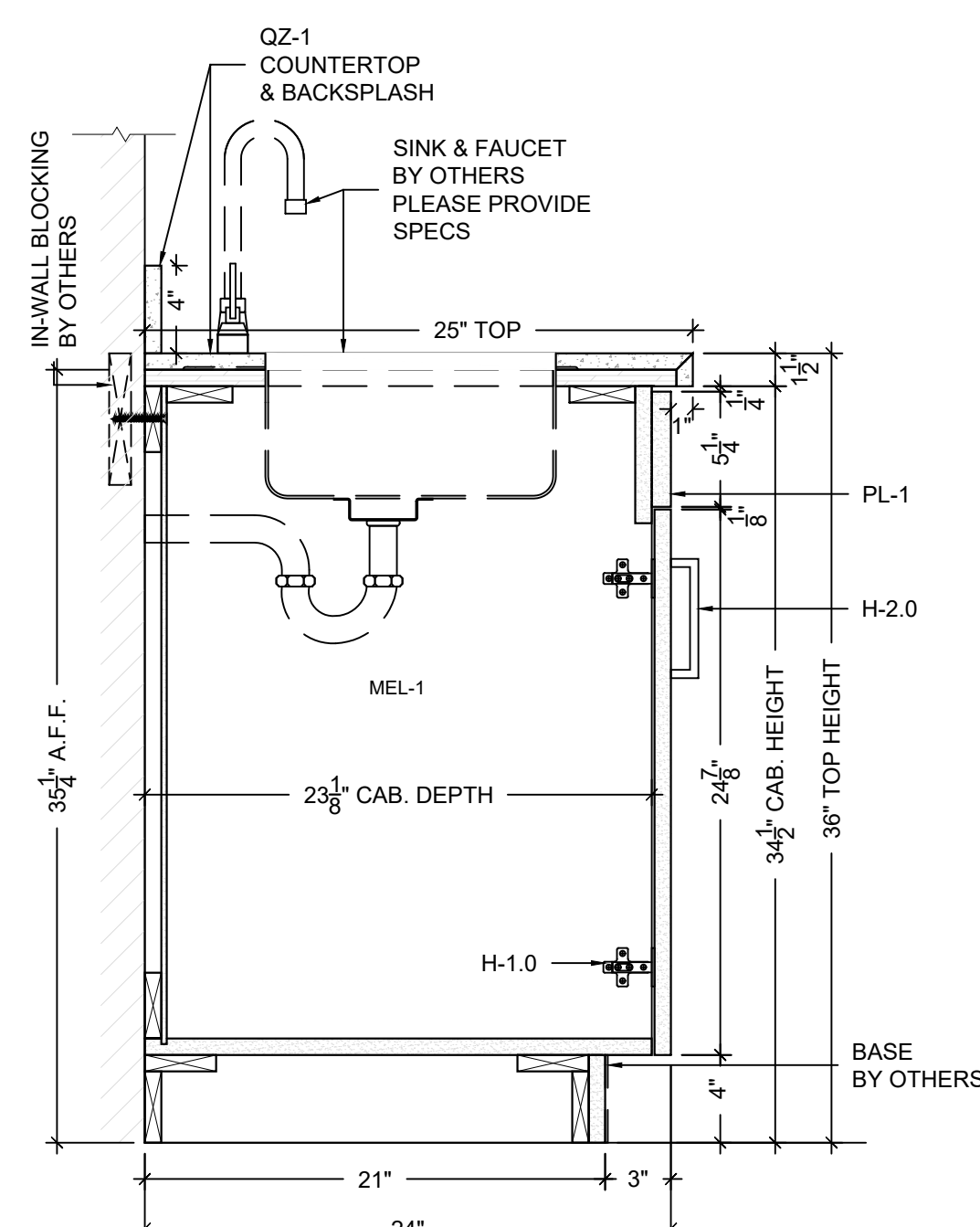
F SECTION
13C SCALE: 1-1/2" = 1'-0" ARCH. REF.: 4/AB.1



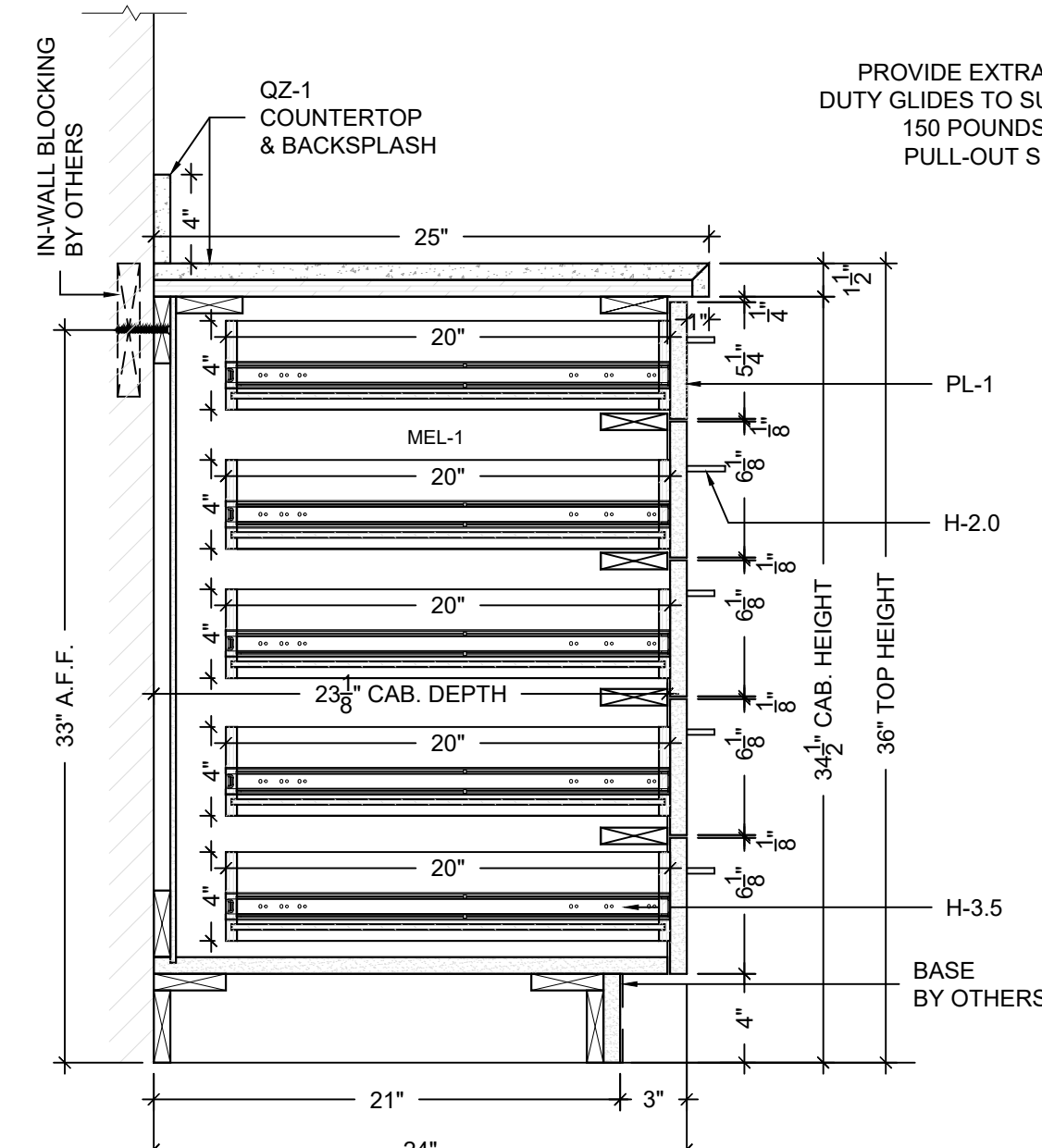
G SECTION
13C SCALE: 1-1/2" = 1'-0" ARCH. REF.: NONE



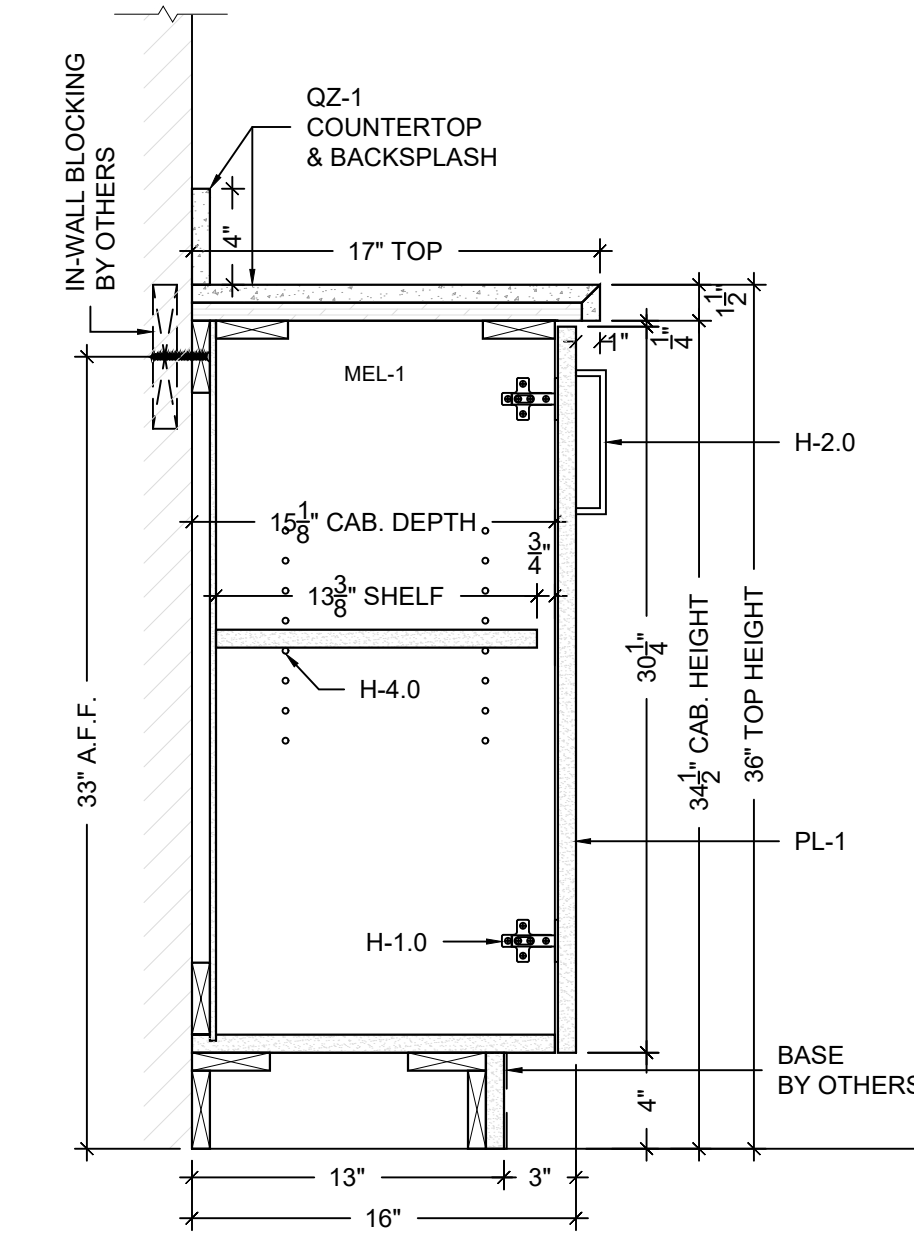
C SECTION
13C SCALE: 1-1/2" = 1'-0" ARCH. REF.: NONE



D SECTION
13C SCALE: 1-1/2" = 1'-0" ARCH. REF.: NONE



E SECTION
13C SCALE: 1-1/2" = 1'-0" ARCH. REF.: NONE



H SECTION
13C SCALE: 1-1/2" = 1'-0" ARCH. REF.: NONE

PROJECT:

ARCHITECT / DESIGNER:

CONTRACTOR:

LOCATION

STERILIZATION 214

ITEM

CASEWORK

PROJECT MANAGER: XXX

DRAWN BY: HD

SCALE: AS NOTED

DATE DRAWN: 07/09/2020

REVISIONS: #1: 10/08/2020

JOB NUMBER: XXX

#2:

SHEET NUMBER:

#3:

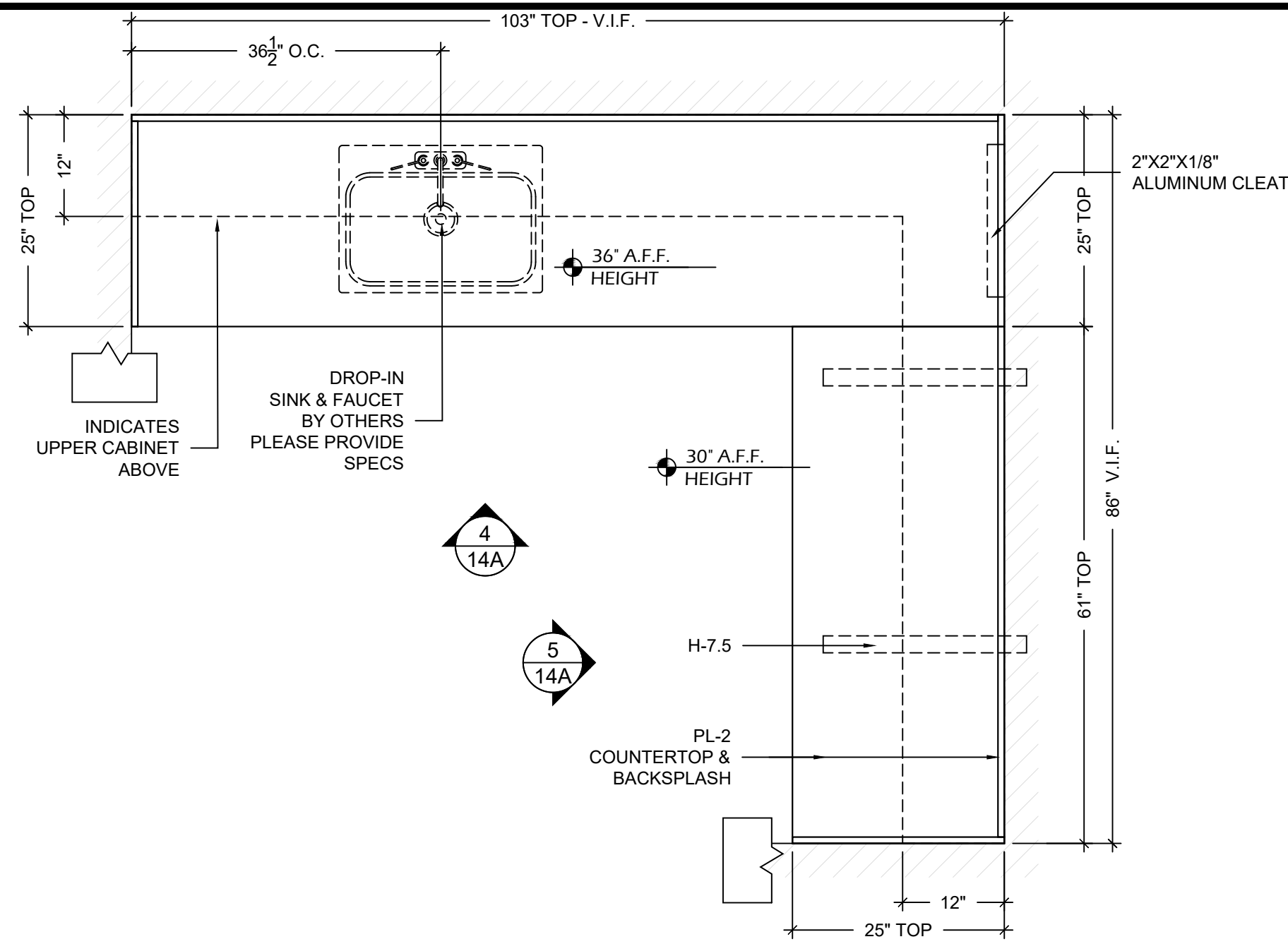
#4:

#5:

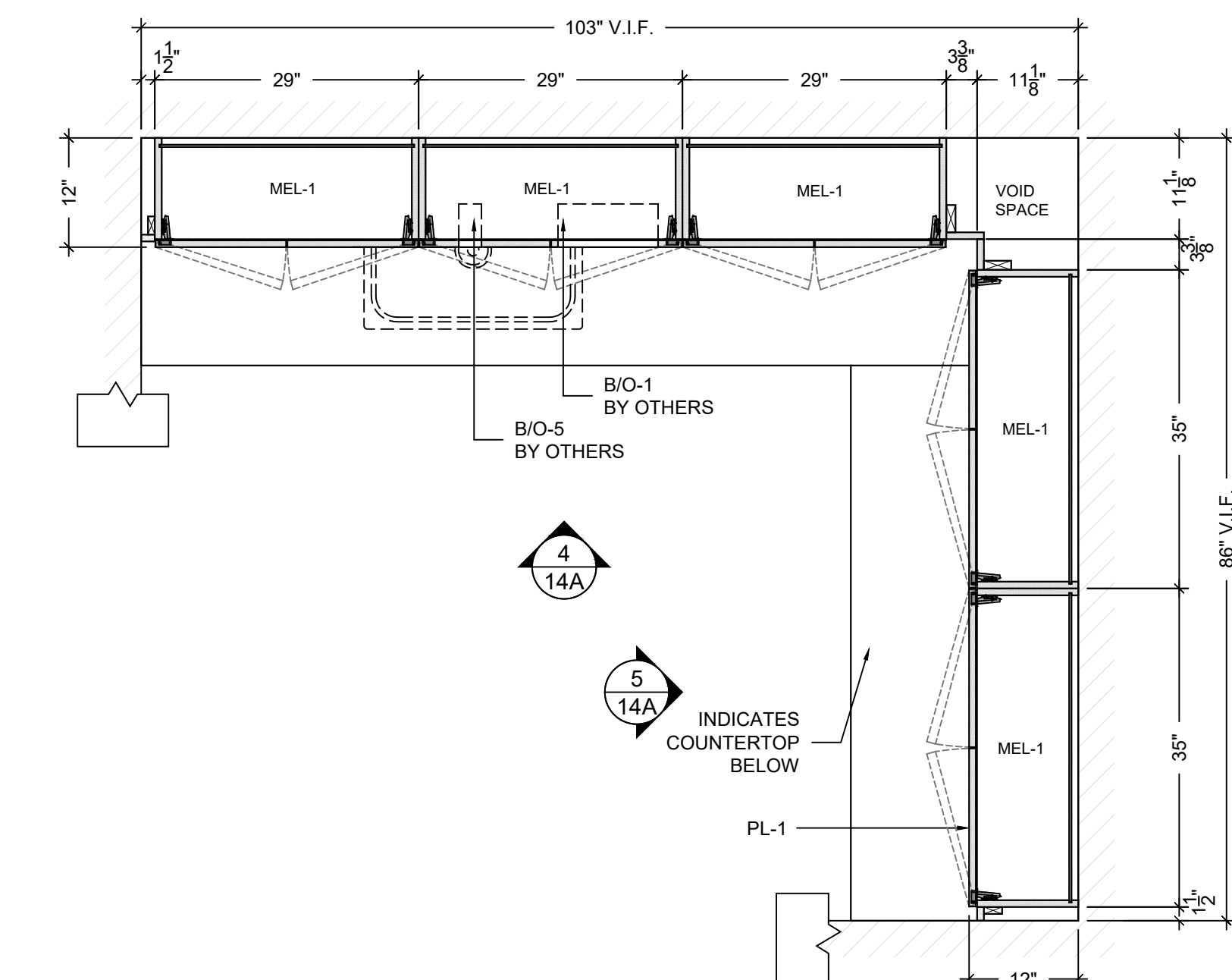
#6:

#7:

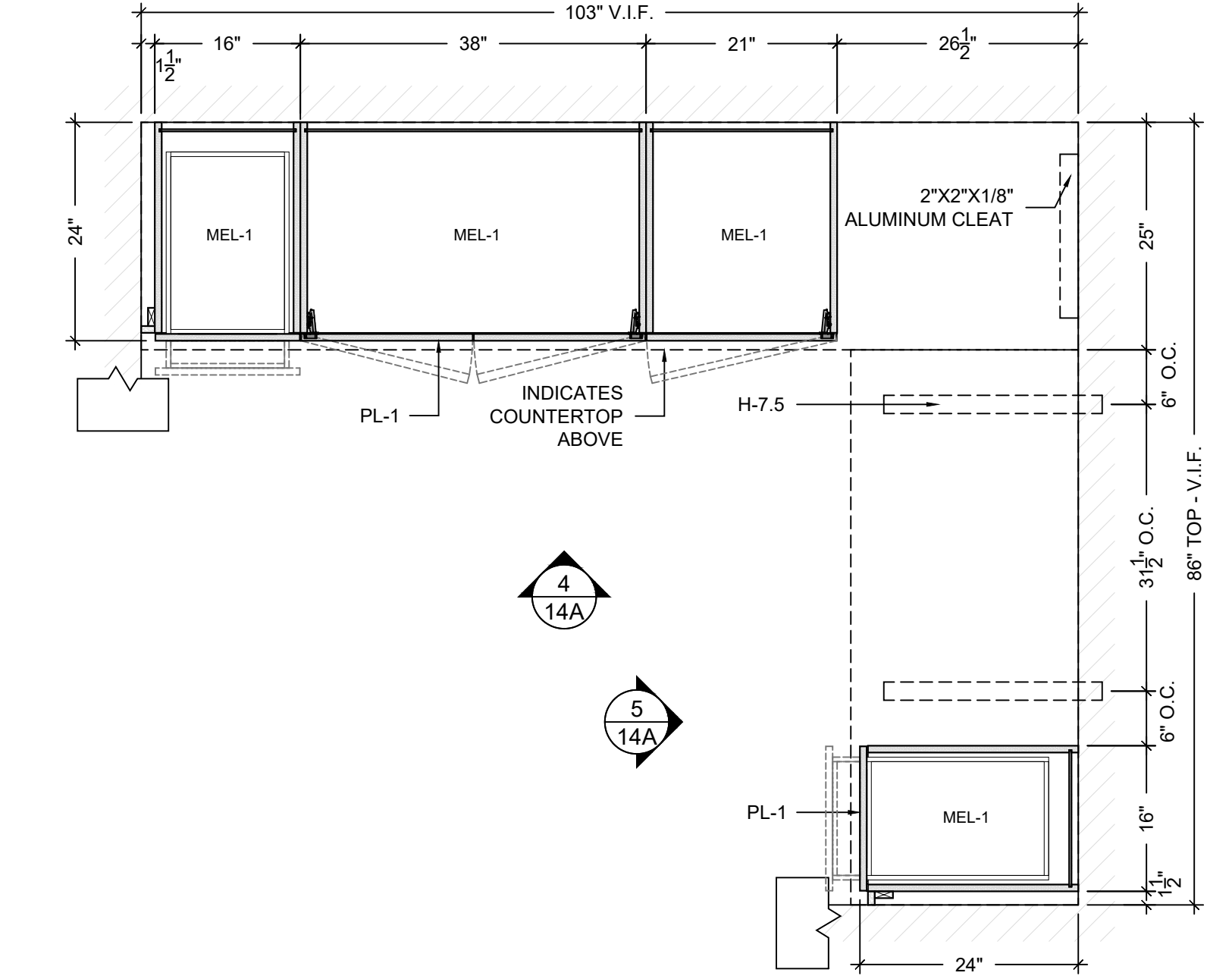
#8:



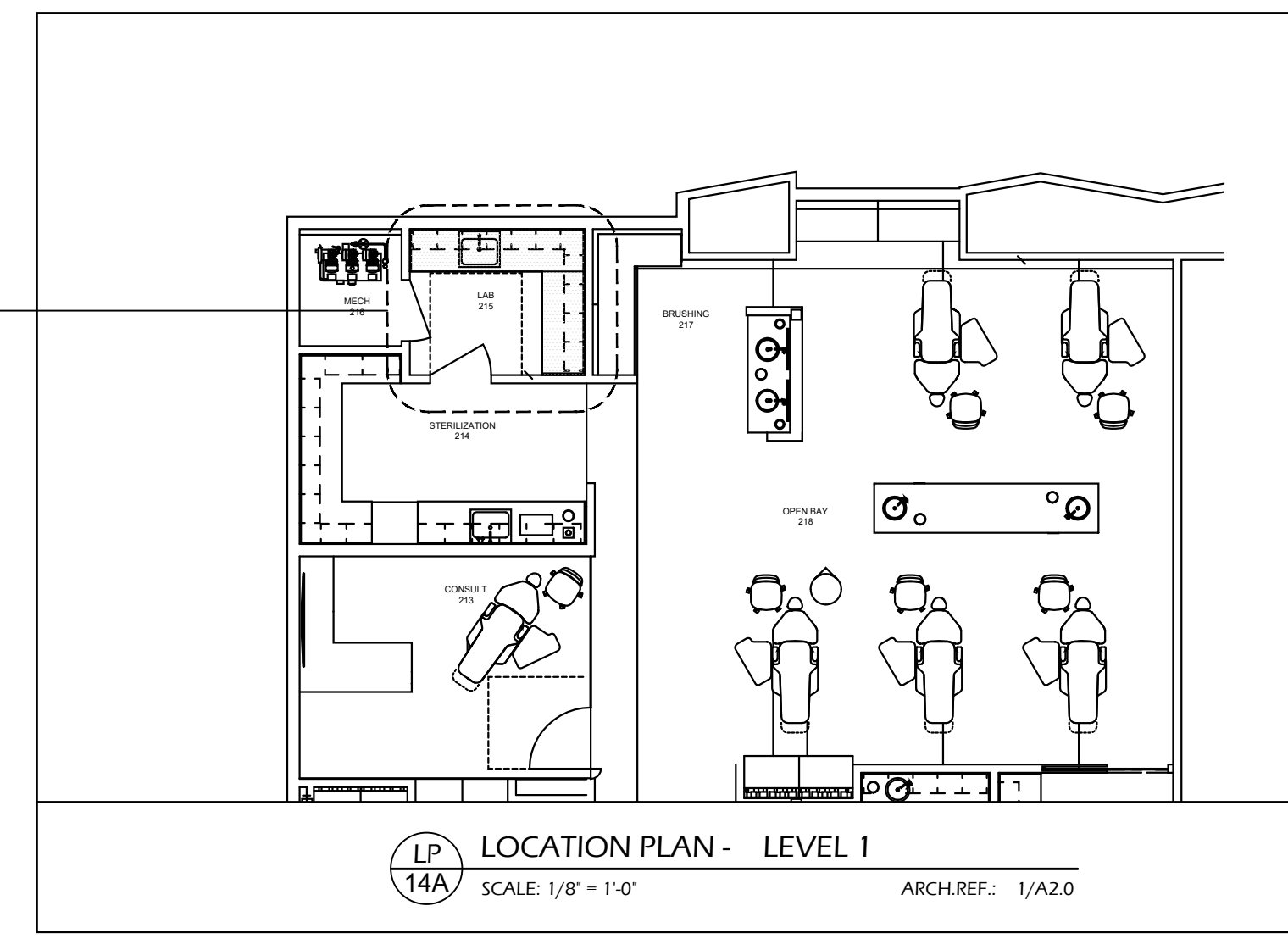
1 PLAN VIEW - LAB 215
SCALE: 3/4" = 1'-0" ARCH. REF.: 1/A2.0



2 PLAN SECTION - LAB 215
SCALE: 3/4" = 1'-0" ARCH. REF.: NONE



3 PLAN SECTION - LAB 215
SCALE: 3/4" = 1'-0" ARCH. REF.: NONE



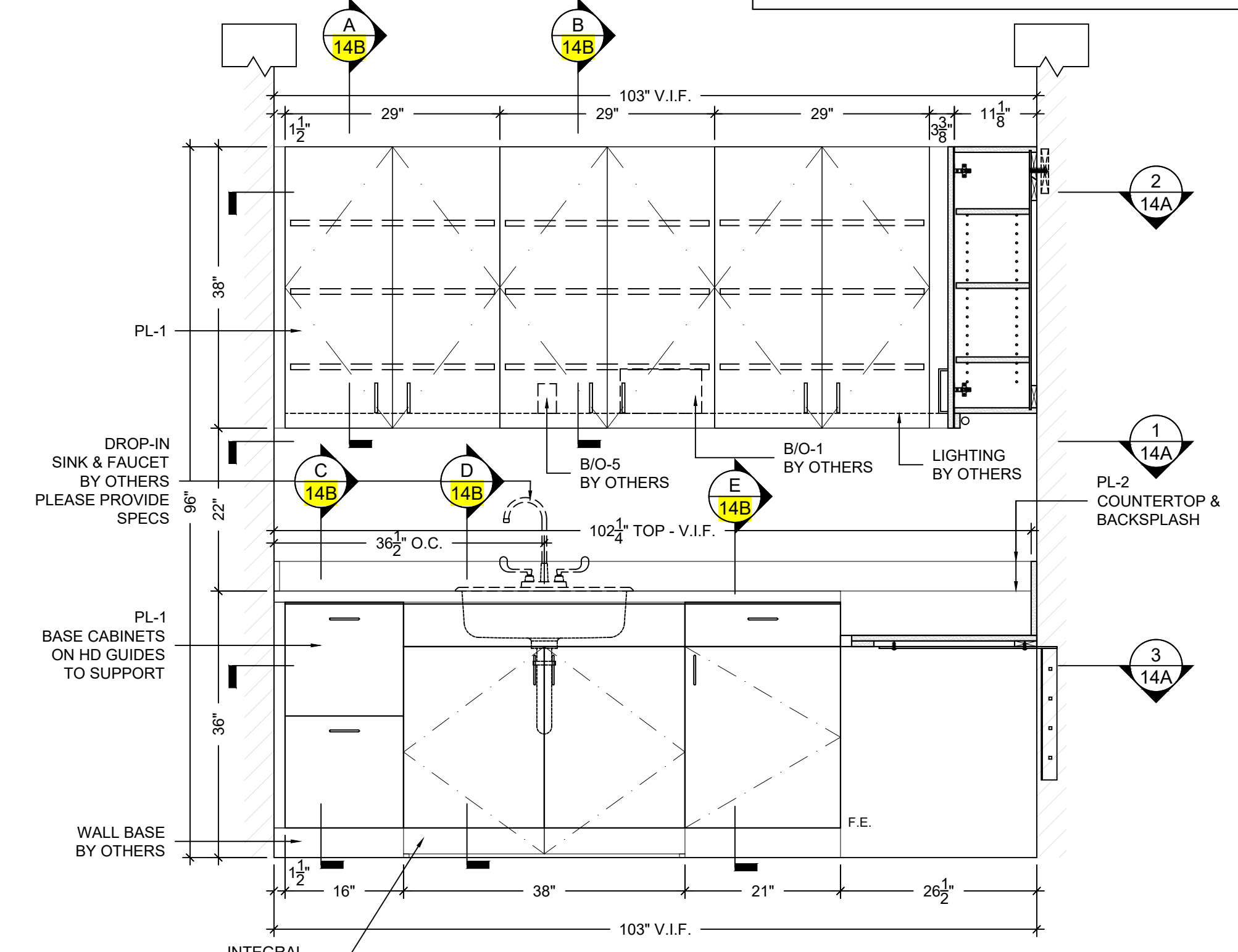
LOCATION PLAN - LEVEL 1
SCALE: 1/8" = 1'-0" ARCH. REF.: 1/A2.0

FINISH INDEX

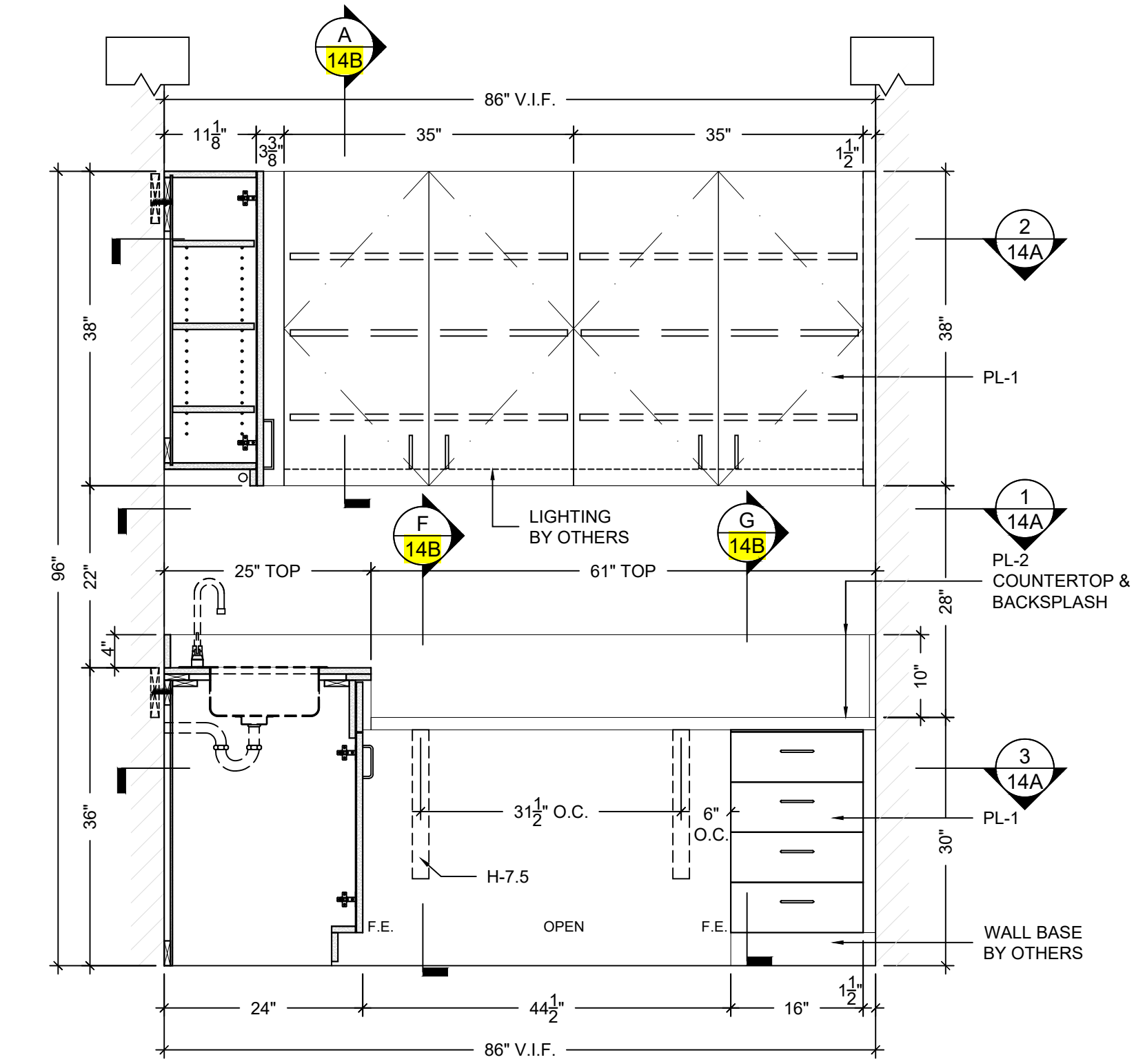
MEL-1	MELAMINE INTERIORS WHITE COLOR
PL-1	PLASTIC LAMINATE NEVAMAR - S7024G - CHALK WHITE - FINISH: GLOSS
PL-2	PLASTIC LAMINATE NEVAMAR - NM555-T024-SD THRUCOLOR - CHALK WHITE - TEXTURED/SUEDE

HARDWARE INDEX

H-1.0	CONCEALED EUROPEAN HINGE BLUM - 170° SWING
H-2.0	6" WIRE PULL DOUG MOCKETT - DP128 - MATTE CHROME
H-3.9	DRAWER SLIDES ACCURIDE 4034 1500LBS FULL EXTENSION 20"
H-4.0	5mm SHELF PINS KV 332 ANO - ANOCHROME FINISH
H-7.5	CONCEALED BRACKET A&M HARDWARE - C24 - 2.0
H-10.0	PLASTIC BUMPERS DOOR & DRAWER BUMPERS - PLASTIC TRANSPARENT



4 ELEVATION - LAB 215
SCALE: 3/4" = 1'-0" ARCH. REF.: 9/A6.1



5 ELEVATION - LAB 215
SCALE: 3/4" = 1'-0" ARCH. REF.: 10/A6.1

PROJECT:

ARCHITECT / DESIGNER:

CONTRACTOR:

LOCATION

LAB 215

ITEM

LAB 215

PROJECT MANAGER:
XXX

DRAWN BY:
HD

SCALE:
AS NOTED

DATE DRAWN:
07/09/2020

REVISIONS:
#1: 10/08/2020

JOB NUMBER:
XXX

#2:
#3:
#4:
#5:
#6:
#7:
#8:

SHEET NUMBER:

14A

FINISH INDEX

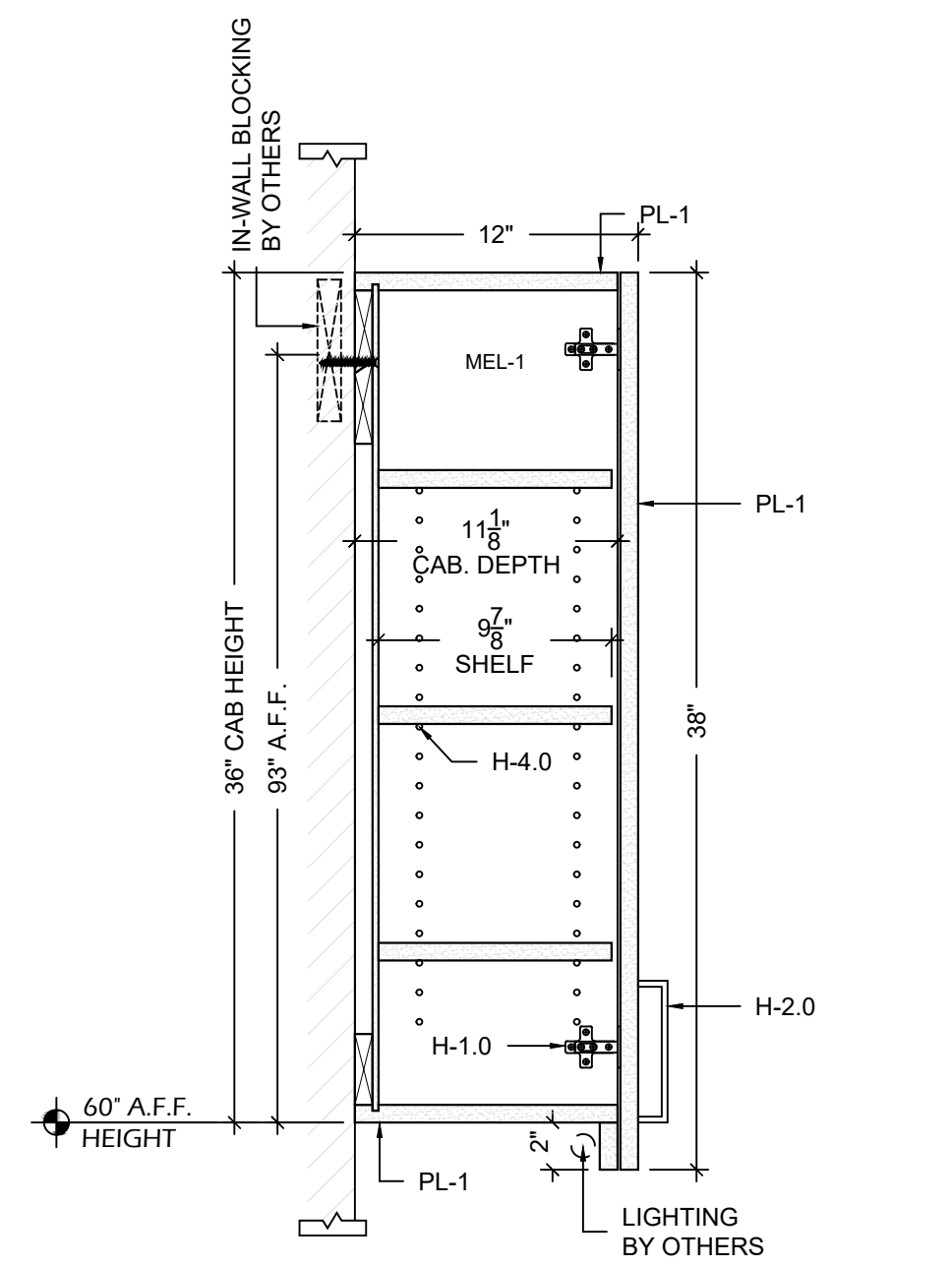
MEL-1	MELAMINE INTERIORS WHITE COLOR
PL-1	PLASTIC LAMINATE NEVAMAR - S7024G - CHALK WHITE - FINISH: GLOSS
PL-2	PLASTIC LAMINATE NEVAMAR - NM555-T024-SD THRUCOLOR - CHALK WHITE - TEXTURED/SUEDE

HARDWARE INDEX

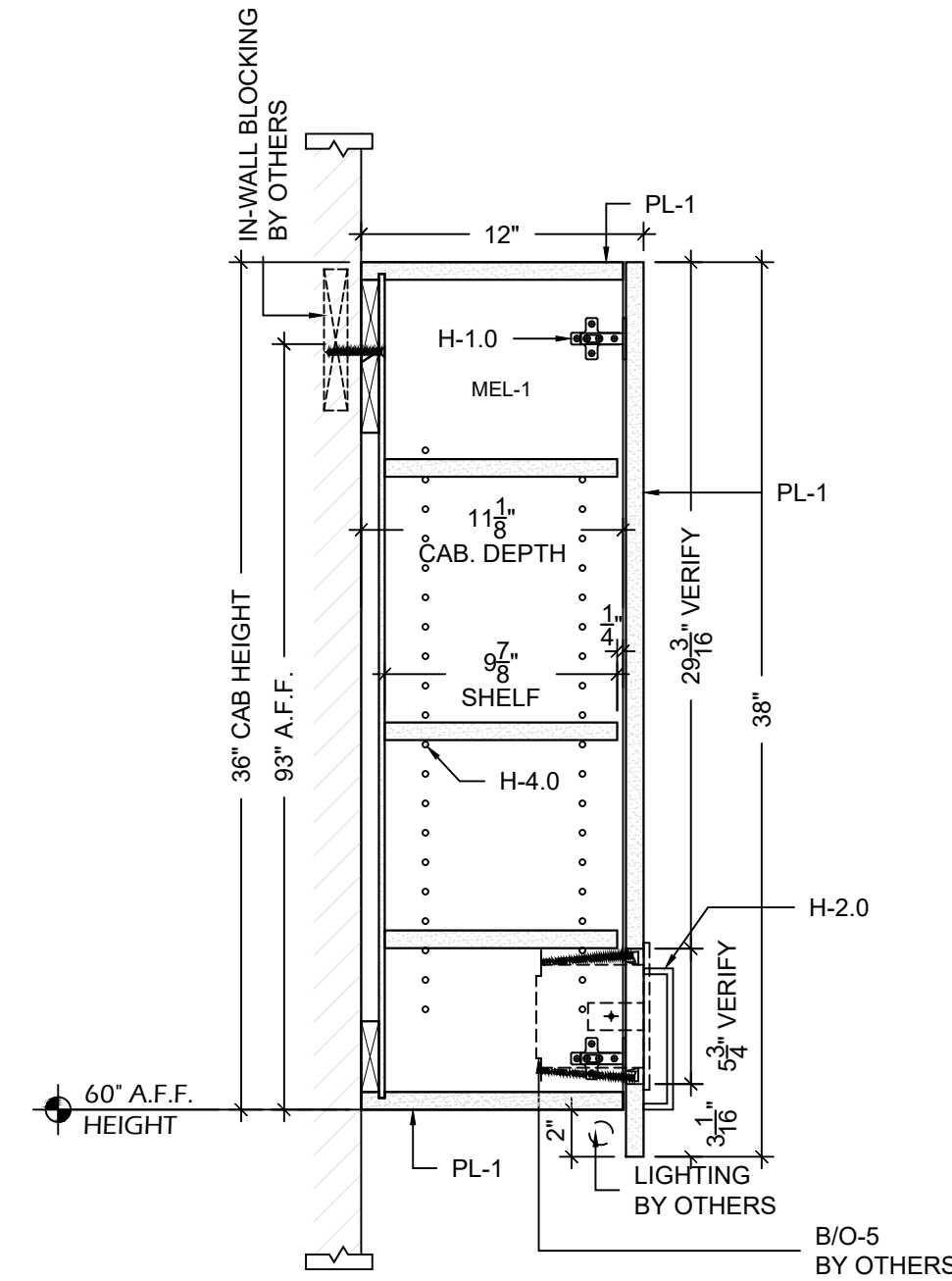
H-1.0	CONCEALED EUROPEAN HINGE BLUM - 170° SWING
H-2.0	6" WIRE PULL DOUG MOCKETT - DP128 - MATTE CHROME
H-3.9	DRAWER SLIDES ACCURIDE 4034 1500LBS FULL EXTENSION 20"
H-4.0	5mm SHELF PINS KV 332 ANO - ANOCHROME FINISH
H-7.5	CONCEALED BRACKET A&M HARDWARE - C24 - 2.0
H-10.0	PLASTIC BUMPERS DOOR & DRAWER BUMPERS - PLASTIC TRANSPARENT

BY OTHERS SCHEDULE

ITEM	EQUIPMENT	MANUFACTURER	MODEL	DIMENSIONS	COUNTER CUT OUTS
B/O-1	PAPER TOWEL DISPENSER	GREENO	GBH-D	4"X11"X2 1/2"	5-3/4" VERIFY
B/O-5	RECESSED DOUBLE GLOVE DISPENSER	GREENO	#1 T TOWEL	6"X11"X4 1/2"	4" VERIFY

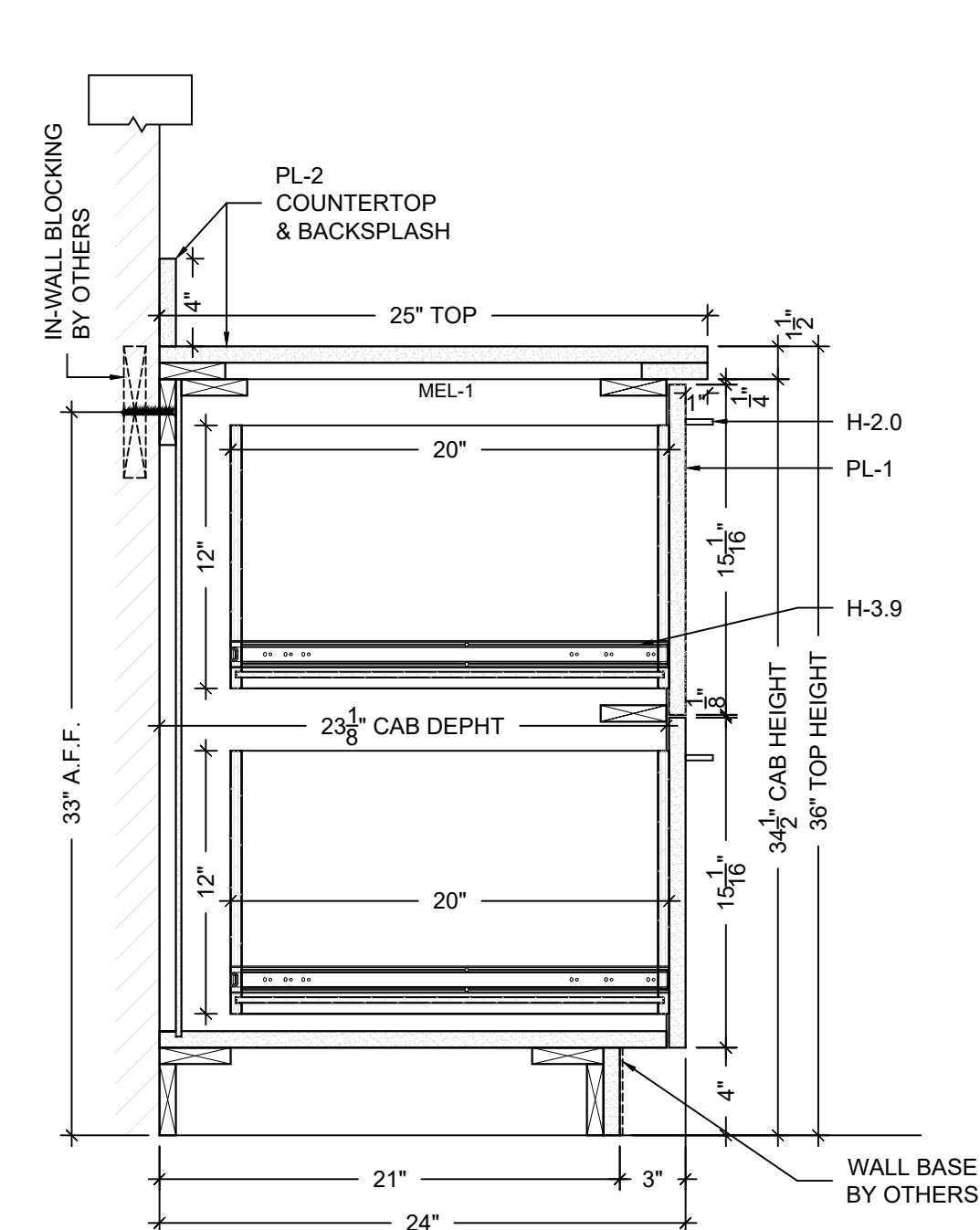


A SECTION
14B SCALE: 1-1/2" = 1'-0" ARCH. REF.: NONE

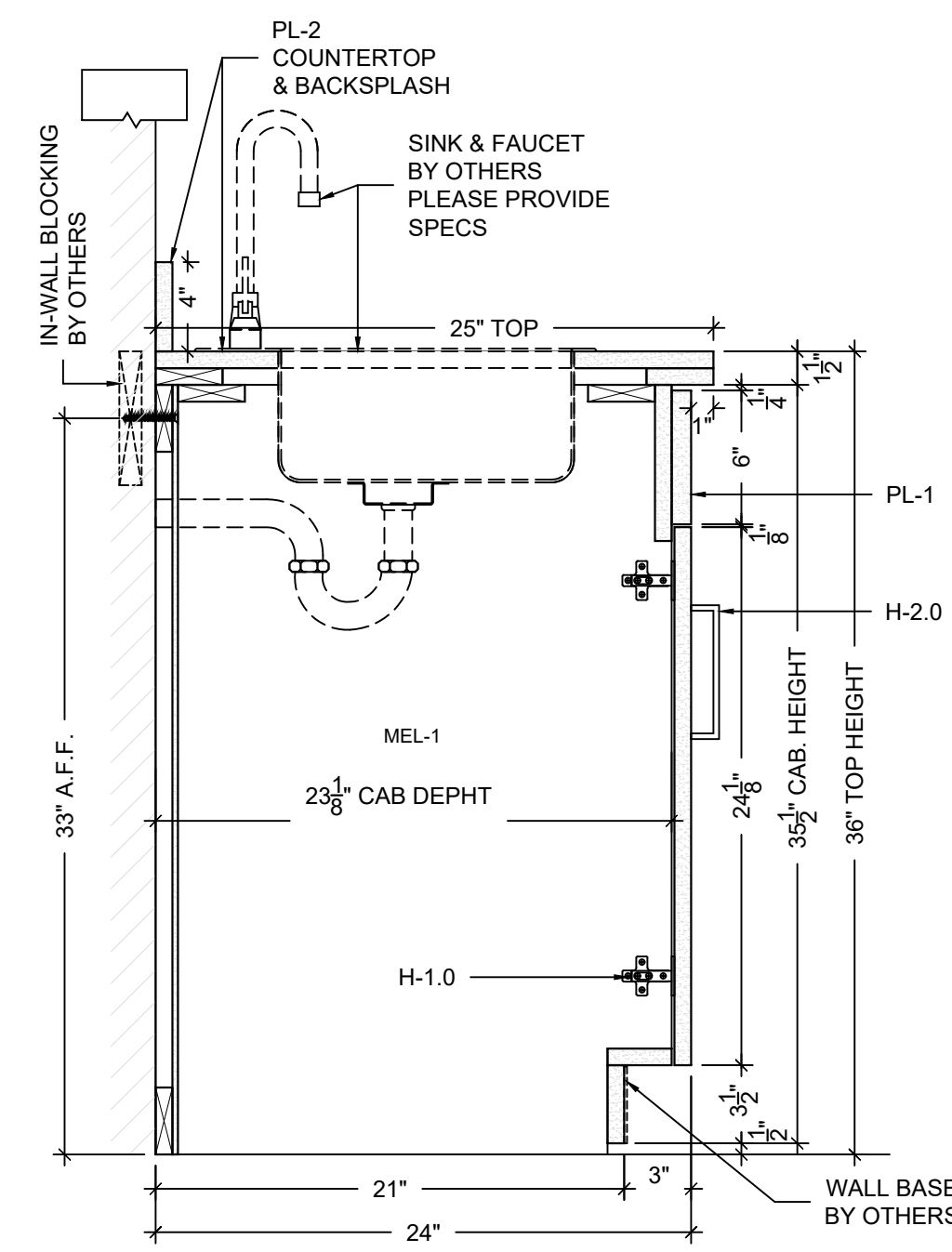


B SECTION
14B SCALE: 1-1/2" = 1'-0" ARCH. REF.: NONE

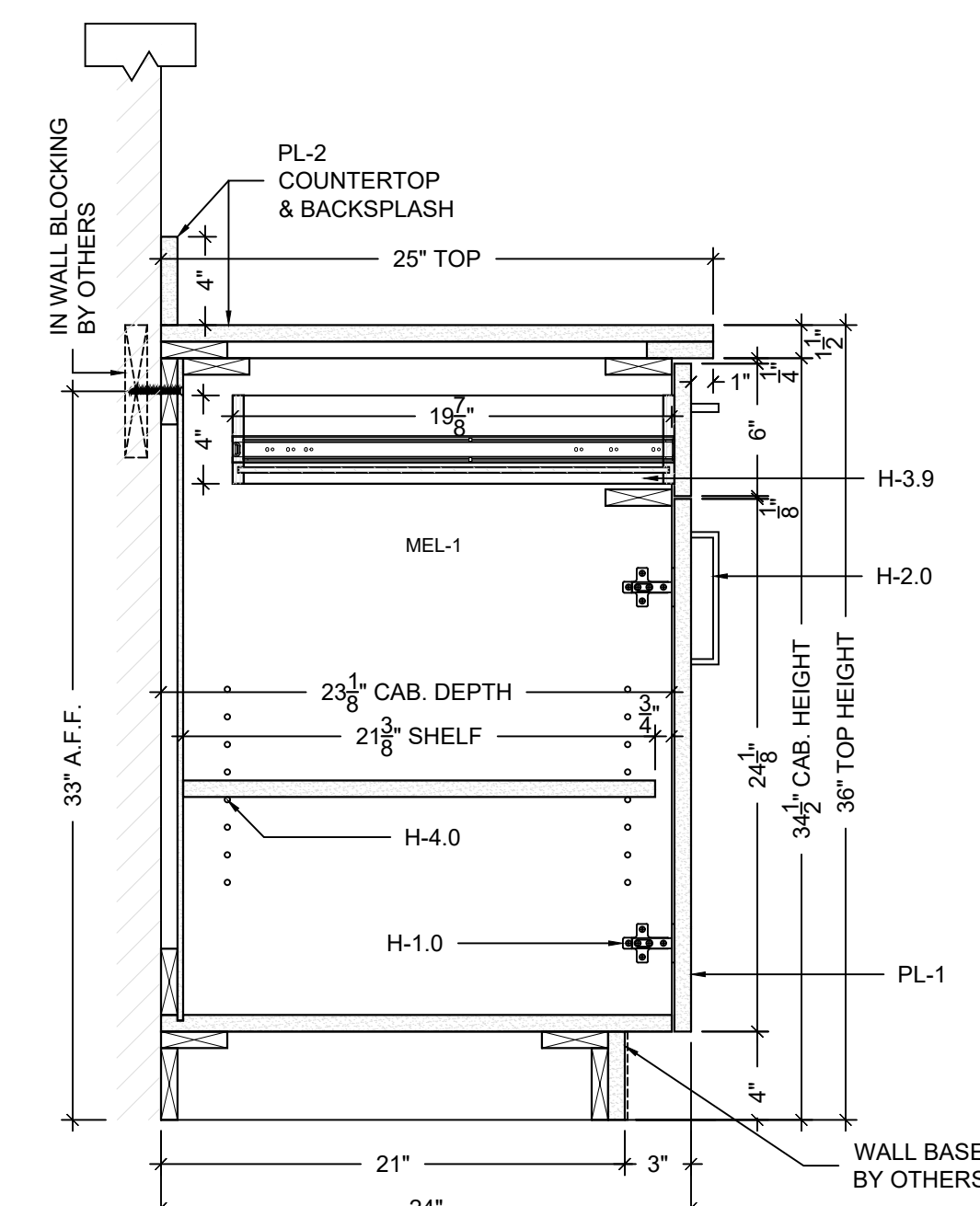
NOTE TO ARCHITECT:
CABINETS IS NOT ADA
COMPLIANT, PLEASE VERIFY



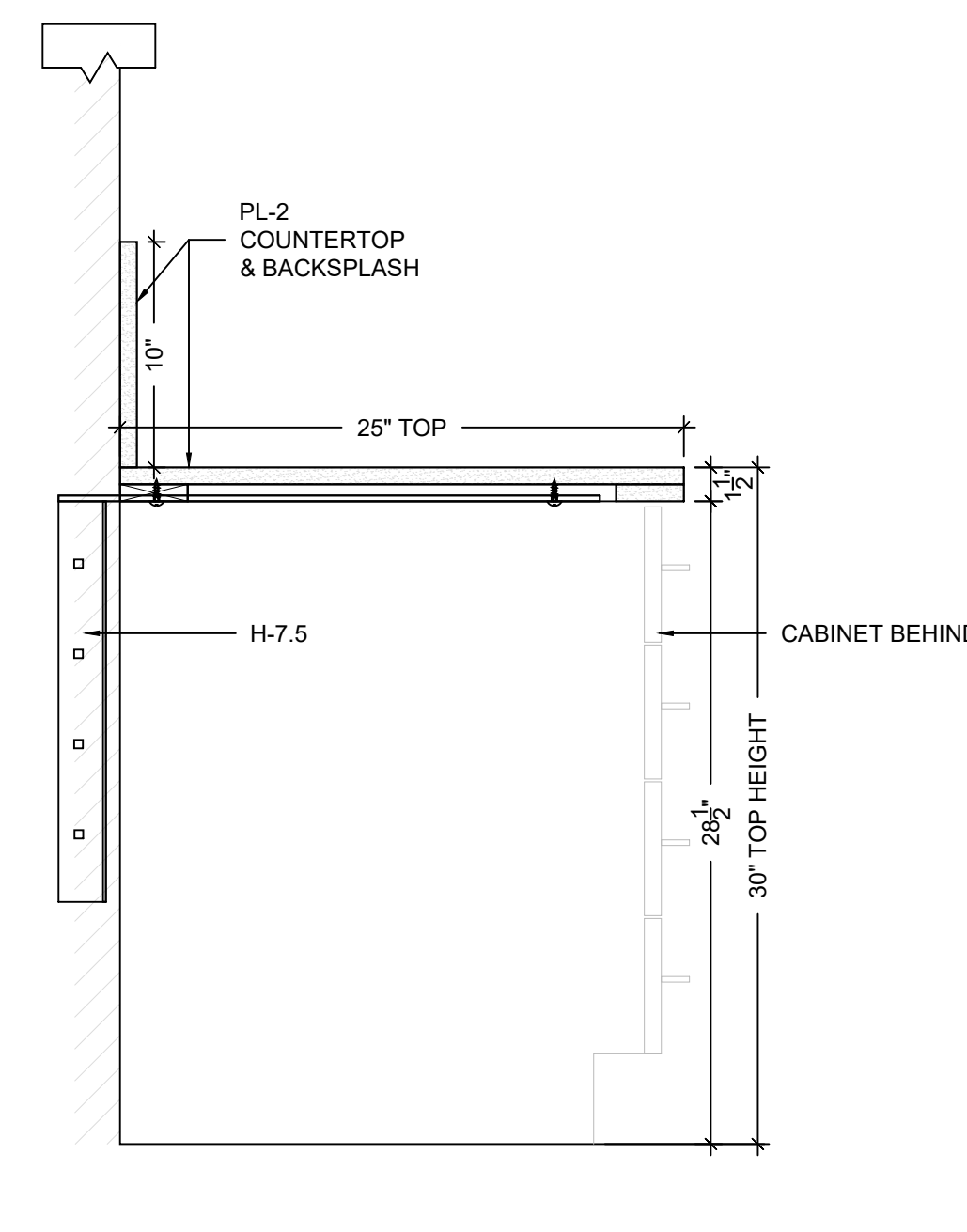
C SECTION
14B SCALE: 1-1/2" = 1'-0" ARCH. REF.: NONE



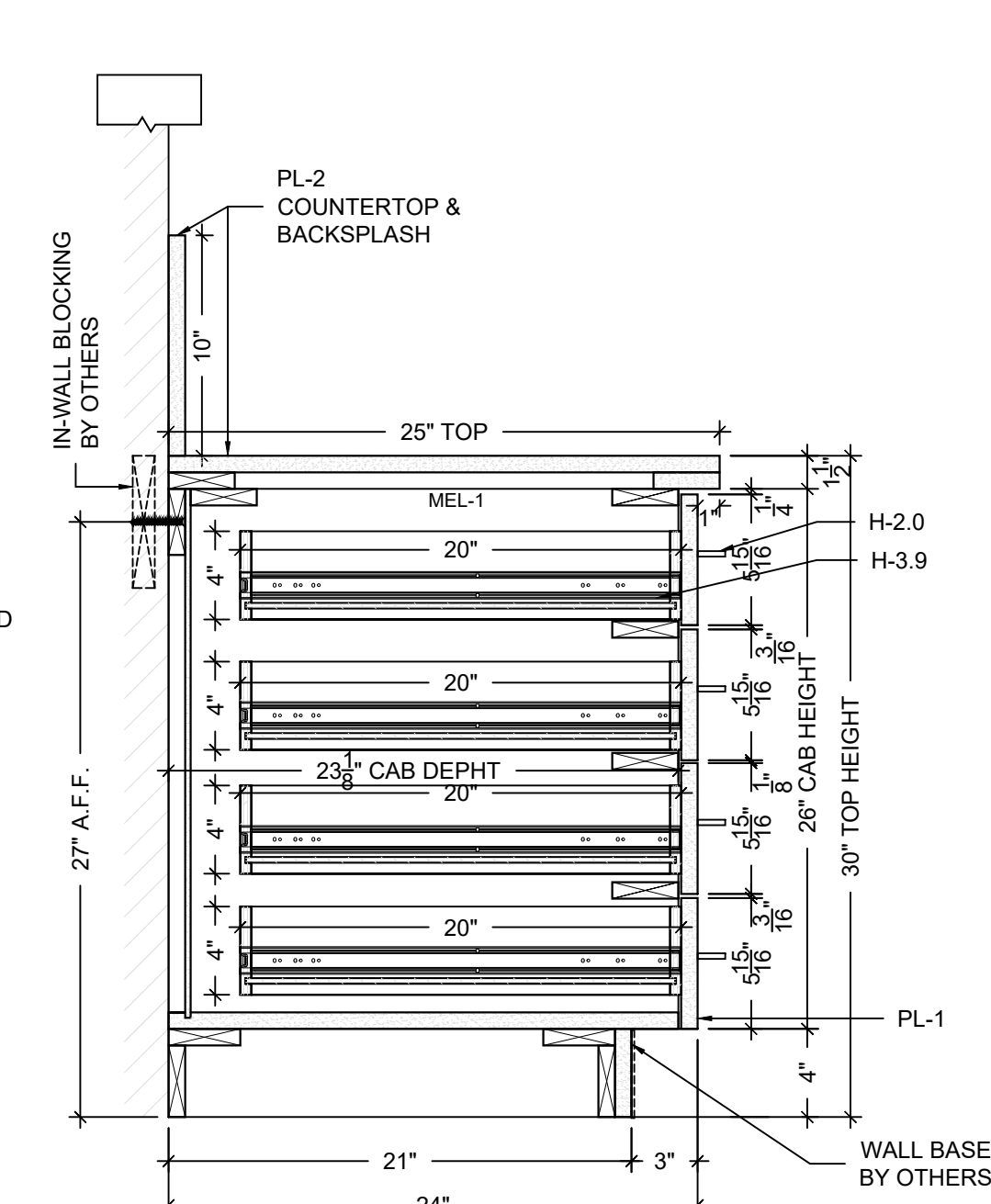
D SECTION
14B SCALE: 1-1/2" = 1'-0" ARCH. REF.: NONE



E SECTION
14B SCALE: 1-1/2" = 1'-0" ARCH. REF.: NONE



F SECTION
14B SCALE: 1-1/2" = 1'-0" ARCH. REF.: NONE



G SECTION
14B SCALE: 1-1/2" = 1'-0" ARCH. REF.: NONE

PROJECT:

ARCHITECT / DESIGNER:

CONTRACTOR:

LOCATION

LAB 215

ITEM

LAB 215

PROJECT MANAGER:
XXX

DRAWN BY:
HD

SCALE:
AS NOTED

DATE DRAWN:
07/09/2020

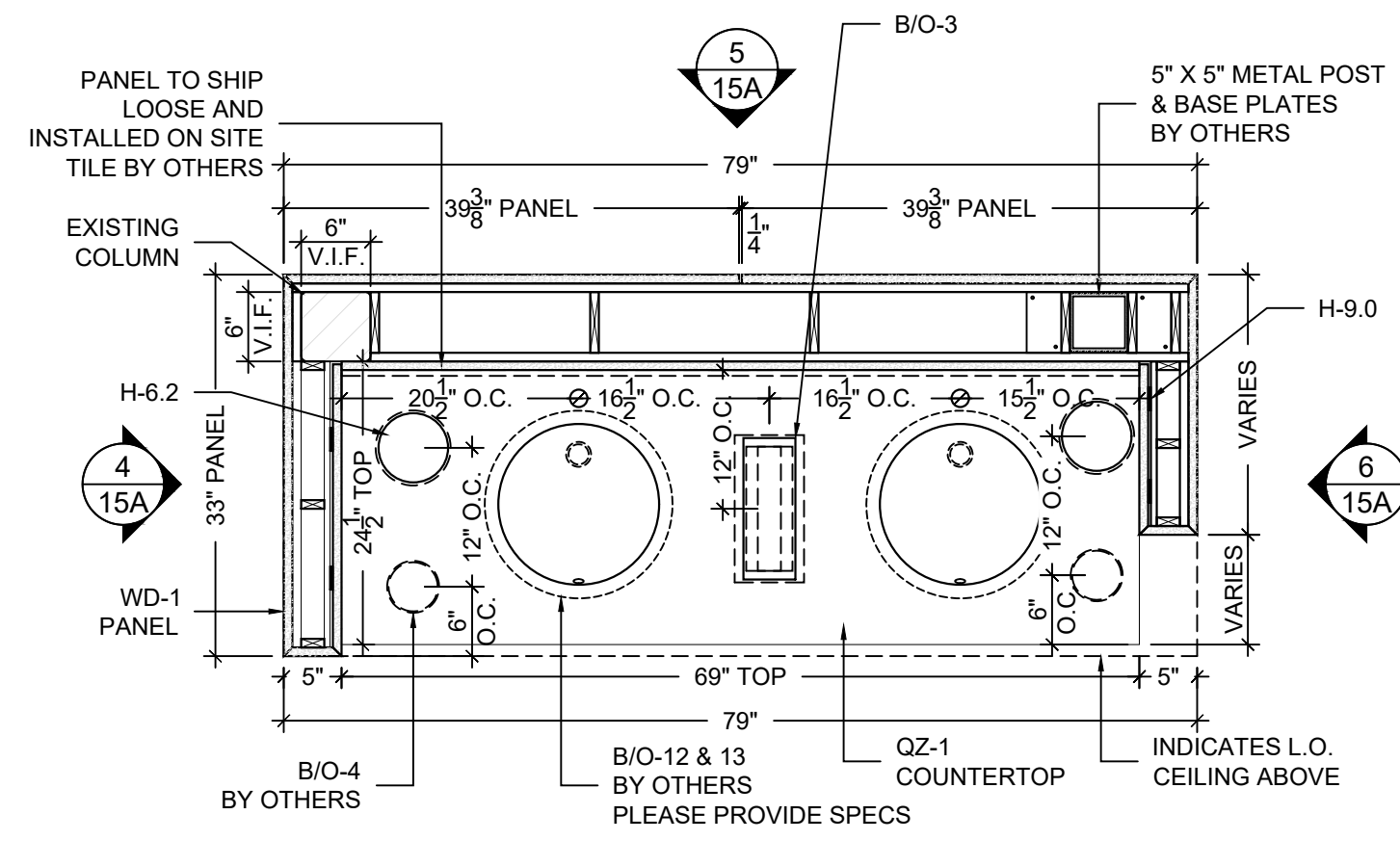
REVISIONS:
#1: 10/08/2020

JOB NUMBER:
XXX

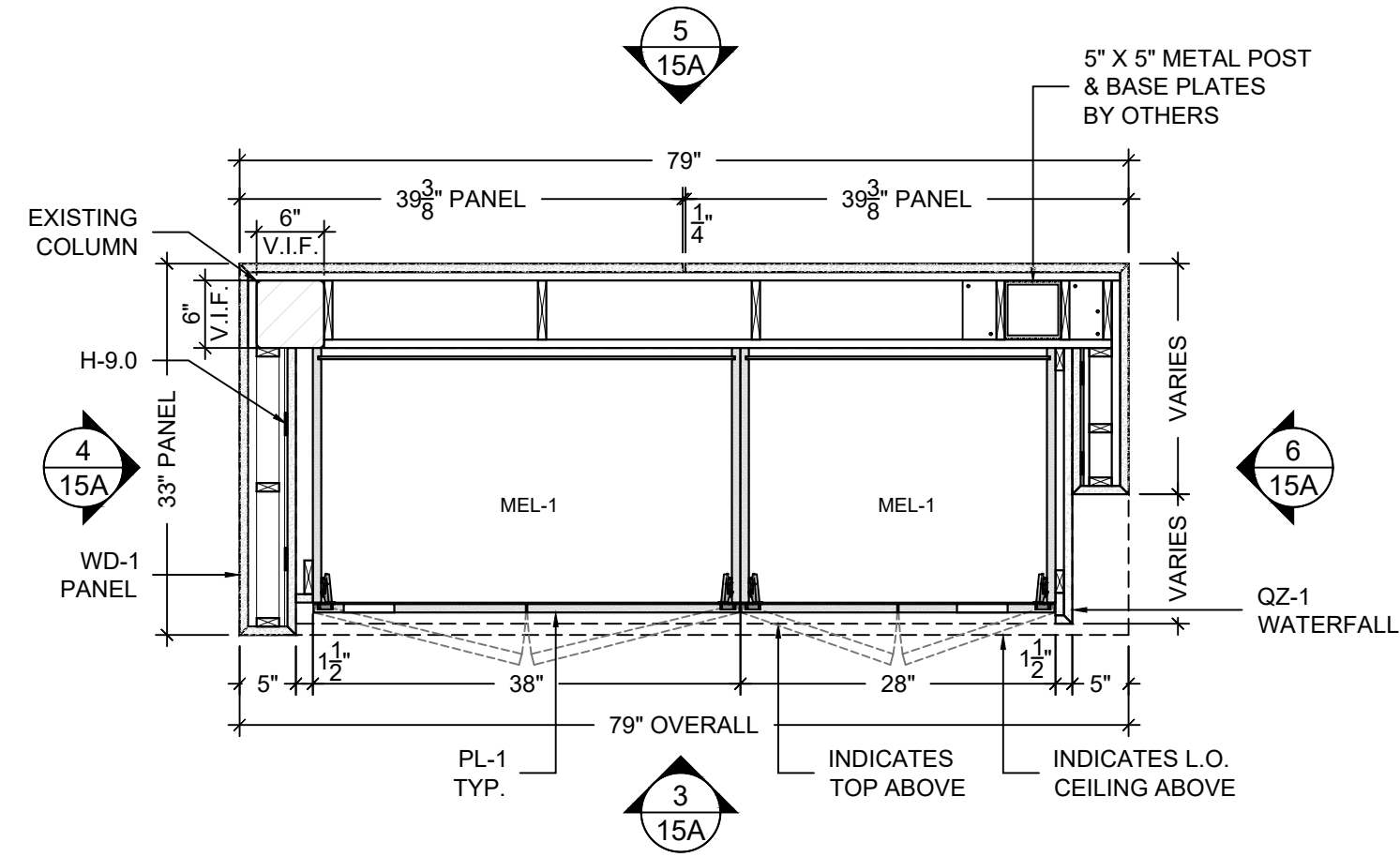
#2:
#3:
#4:
#5:
#6:
#7:
#8:

SHEET NUMBER:

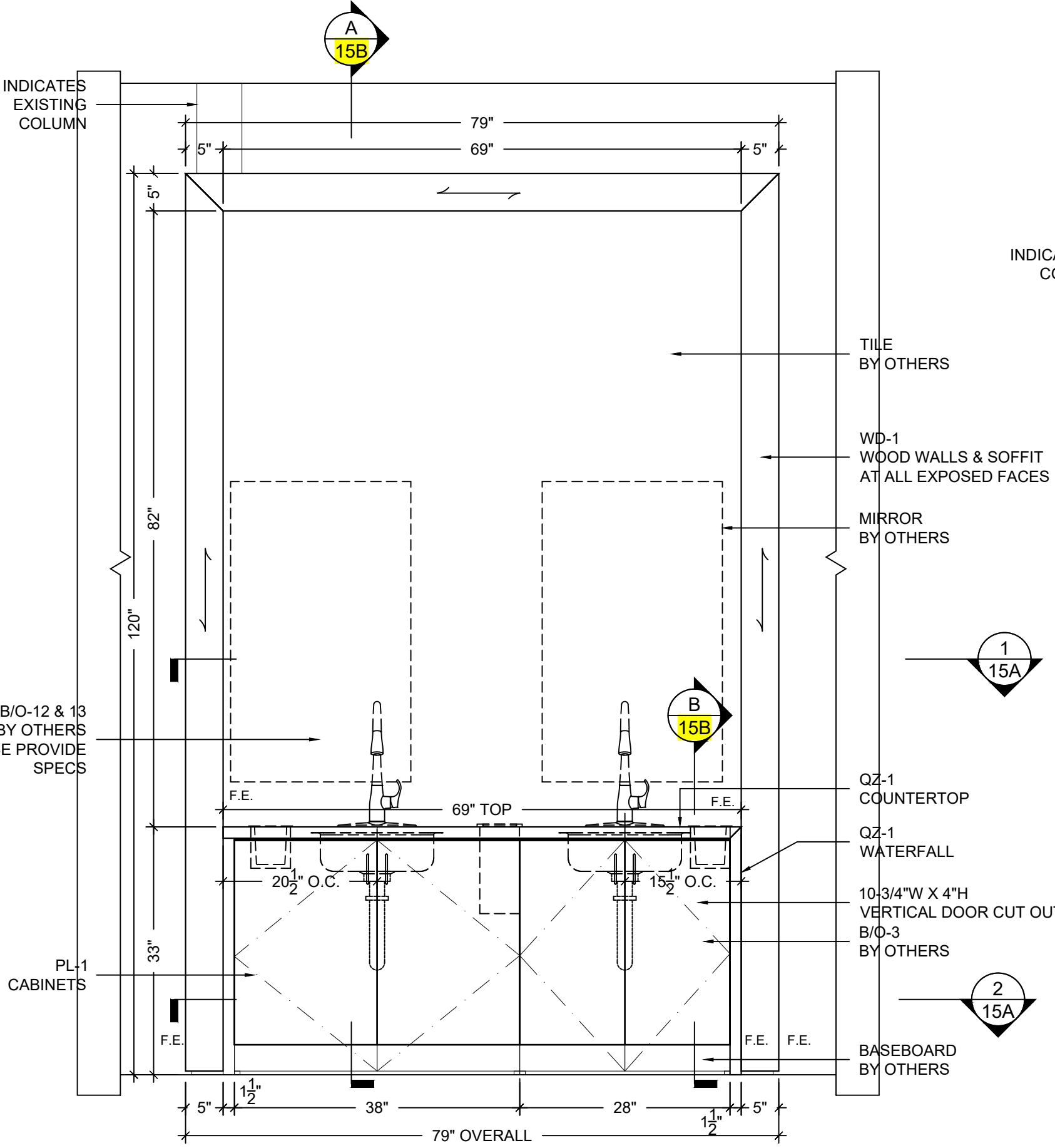
14B



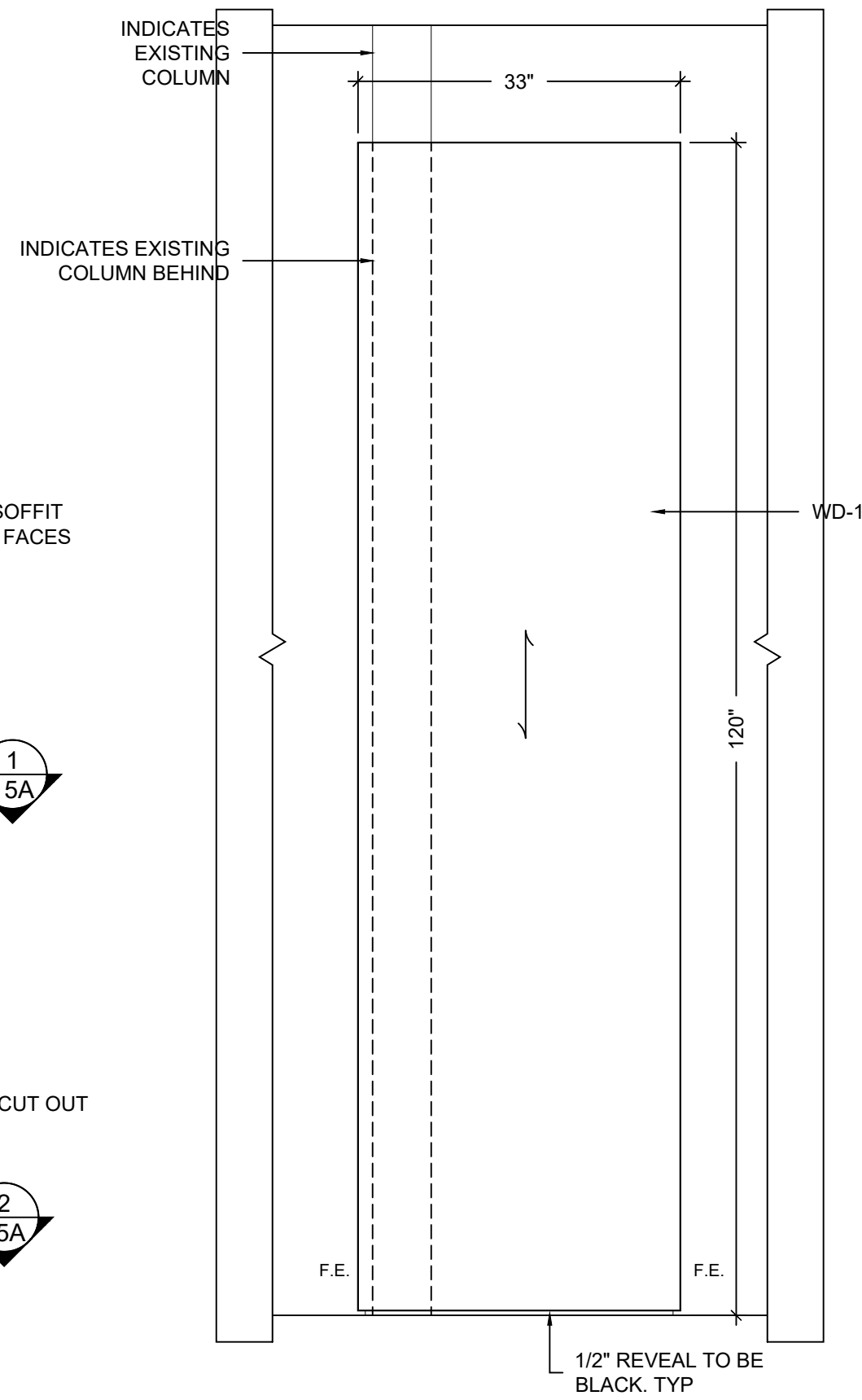
1 PLAN VIEW - CASEWORK & PANELING @ BRUSHING 217
SCALE: 3/4" = 1'-0" ARCH. REF.: 9/A8.1



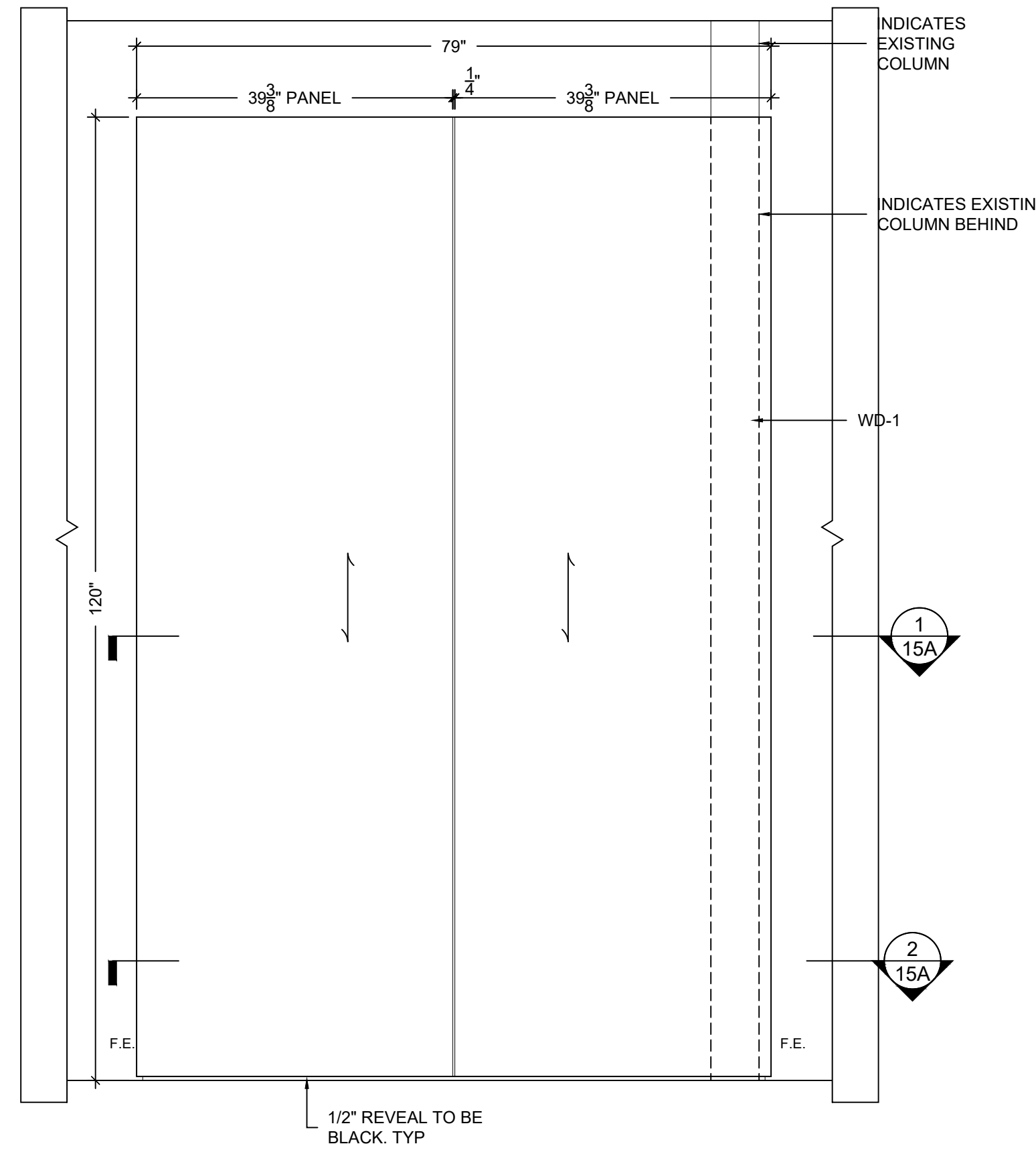
2 PLAN SECTION - CASEWORK & PANELING @ BRUSHING 217
SCALE: 3/4" = 1'-0" ARCH. REF.: NONE



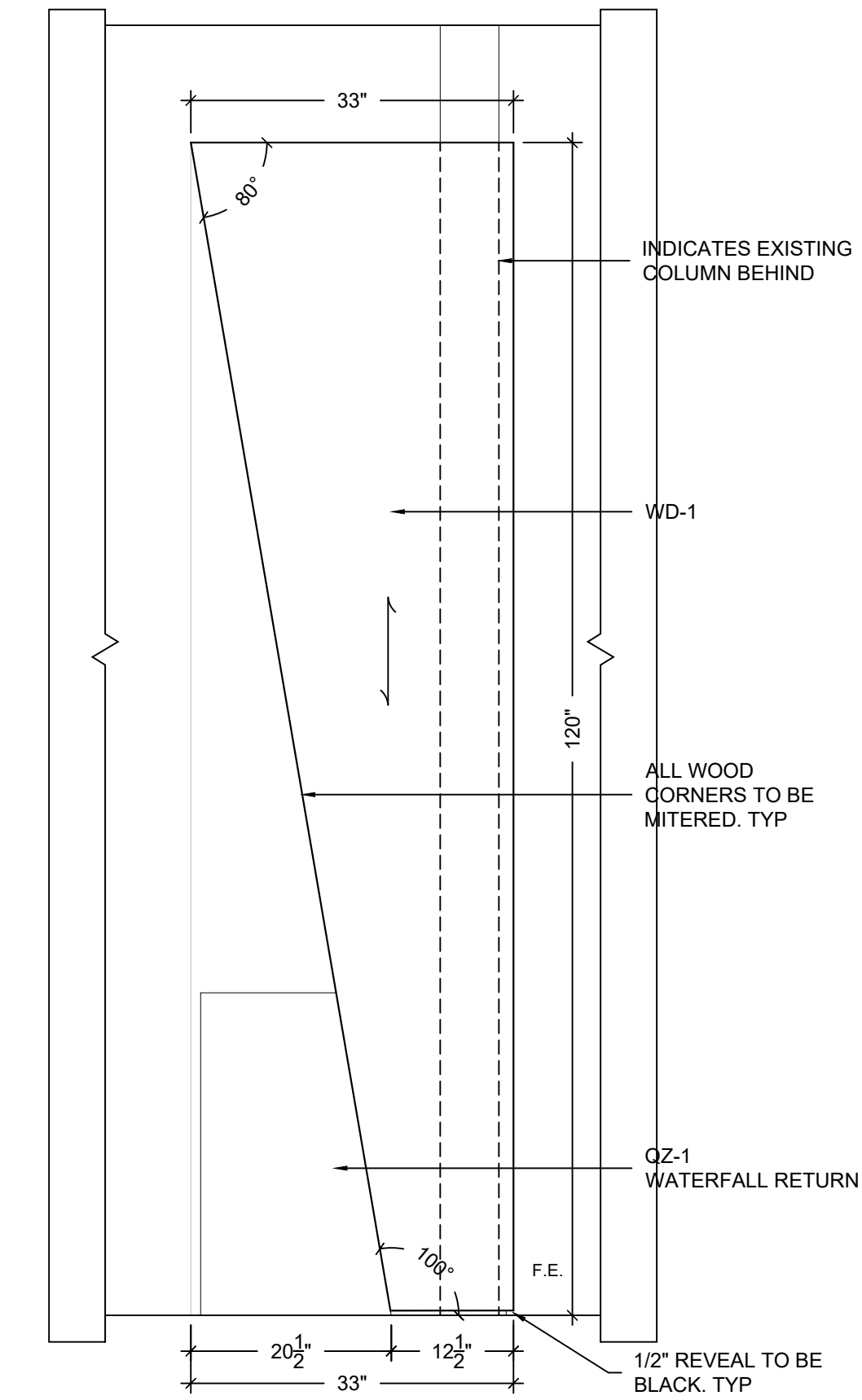
3 ELEVATION - CASEWORK & PANELING @ BRUSHING 217
SCALE: 3/4" = 1'-0" ARCH. REF.: 12/A6.1



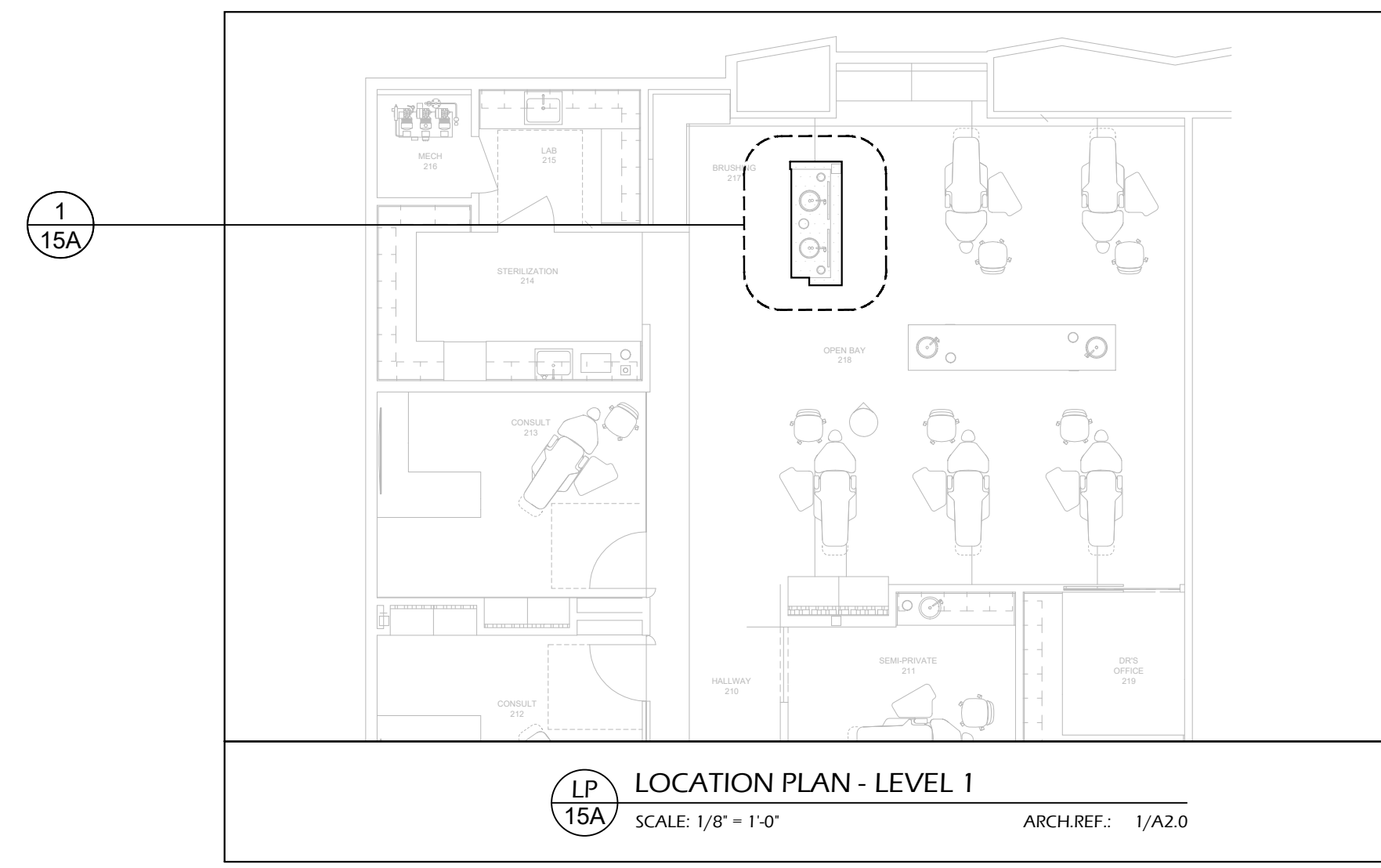
4 ELEVATION - CASEWORK & PANELING @ BRUSHING 217
SCALE: 3/4" = 1'-0" ARCH. REF.: NONE



5 ELEVATION - CASEWORK & PANELING @ BRUSHING 217
SCALE: 3/4" = 1'-0" ARCH. REF.: 1/A6.2



6 ELEVATION - CASEWORK & PANELING @ BRUSHING 217
SCALE: 3/4" = 1'-0" ARCH. REF.: 3/A6.2



1 P LOCATION PLAN - LEVEL 1
SCALE: 1/8" = 1'-0" ARCH. REF.: 1/A2.0

FINISH INDEX

MEL-1	MELAMINE INTERIORS WHITE COLOR
PL-1	PLASTIC LAMINATE NEVAMAR - S7024G - CHALK WHITE - FINISH: GLOSS
QZ-1	2CM QUARTZ HANSTONE CHANTILLY - GLOSS
WD-1	BLEACHED WHITE OAK TO MATCH ARCHITET'S SAMPLE - MATTE POLYURETHANE

HARDWARE INDEX

H-1.0	CONCEALED EUROPEAN HINGE BLUM - 170° SWING
H-2.0	6" WIRE PULL DOUG MOCKETT - DP128 - MATTE CHROME
H-6.2	6" TRASH DROP MOCKETT - TM1A - STAINLESS STEEL - 2" DEEP
H-9.0	ALUMINUM Z-CLIPS ANODIZED ALUMINUM
H-10.0	PLASTIC BUMPERS DOOR & DRAWER BUMPERS - PLASTIC TRANSPARENT

BY OTHERS SCHEDULE

ITEM	EQUIPMENT	MANUFACTURER	MODEL	DIMENSIONS	CUT OUTS
B/O-3	PAPER TOWEL DISPENSER	BOBRICK	B-526	12-3/4"W - 6"H - 11-5/16"D	10-3/4"W - 4" H VERIFY
B/O-4	CYLINDRICAL DISPENSER	CAL-MIL	1017-SOLID	5-1/2" H X 4-1/2" D	-
B/O-12	SINK	PLEASE PROVIDE SPECS	-	-	-
B/O-13	FAUCET	PLEASE PROVIDE SPECS	-	-	-

PROJECT:

ARCHITECT / DESIGNER:

CONTRACTOR:

LOCATION

BRUSHING 217

ITEM

CASEWORK & PANELING

PROJECT MANAGER:
XXX

DRAWN BY:
HD

SCALE:
AS NOTED

DATE DRAWN:
07/09/2020

REVISIONS:

#1: 10/08/2020

#2:

#3:

#4:

#5:

#6:

#7:

#8:

JOB NUMBER:
XXX

SHEET NUMBER:

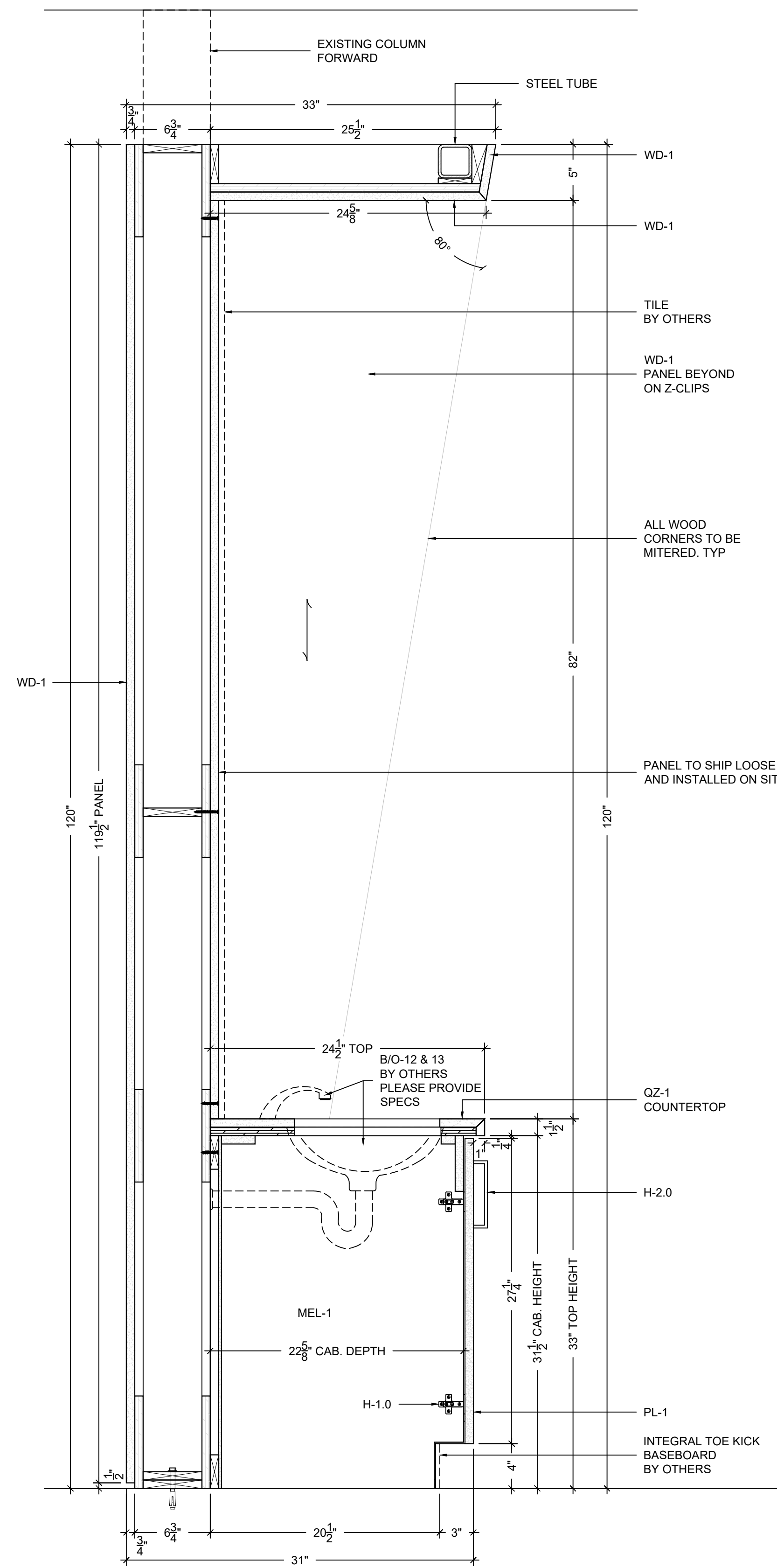
15A

FINISH INDEX

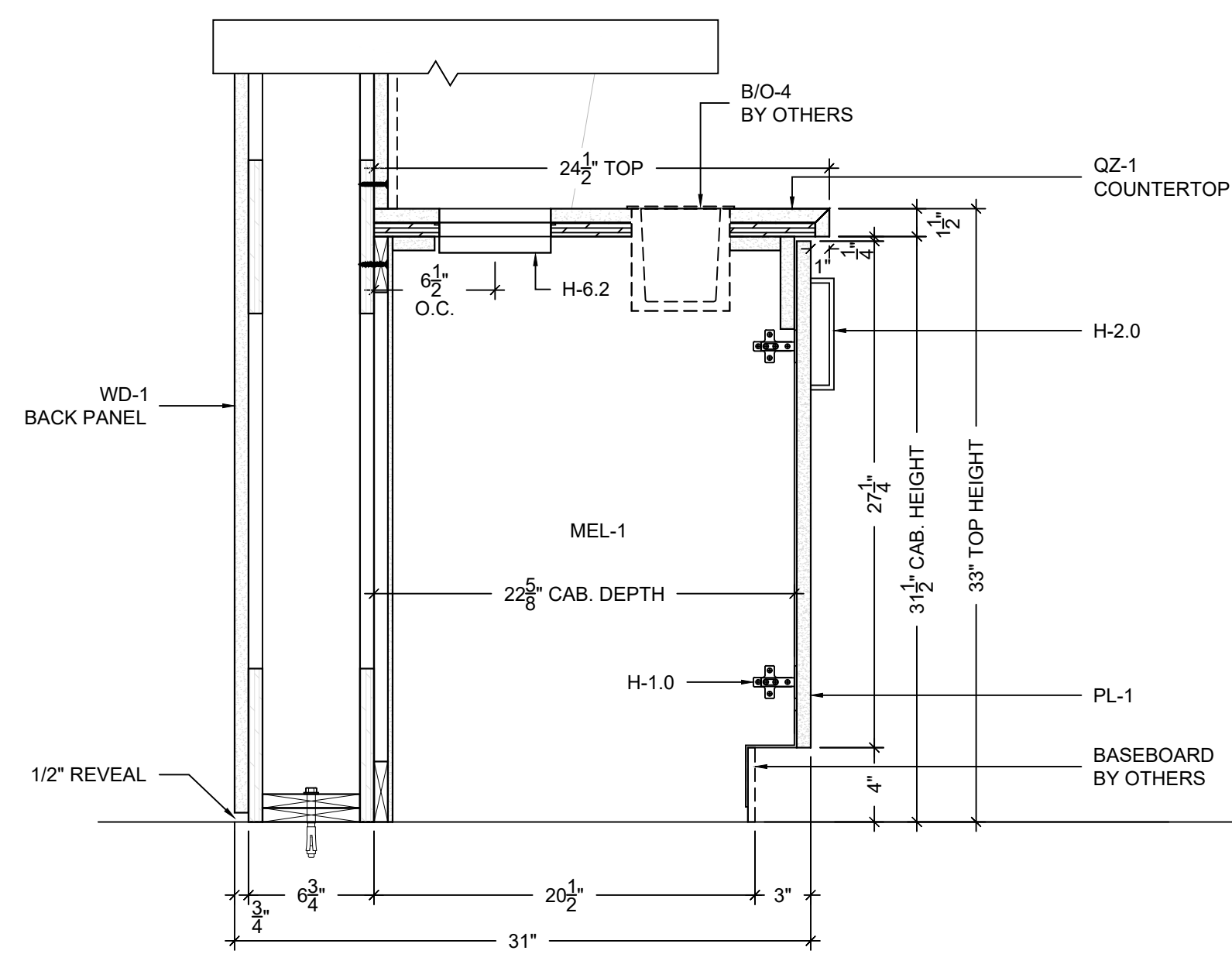
MEL-1	MELAMINE INTERIORS WHITE COLOR
PL-1	PLASTIC LAMINATE NEVAMAR - S7024G - CHALK WHITE - FINISH: GLOSS
QZ-1	2CM QUARTZ HANSTONE CHANTILLY - GLOSS
WD-1	BLEACHED WHITE OAK TO MATCH ARCHITECT'S SAMPLE - MATTE POLYURETHANE

HARDWARE INDEX

H-1.0	CONCEALED EUROPEAN HINGE BLUM - 170° SWING
H-2.0	6" WIRE PULL DOUG MOCKETT - DP128 - MATTE CHROME
H-6.2	6" TRASH DROP MOCKETT - TM1A - STAINLESS STEEL - 2" DEEP
H-9.0	ALUMINUM Z-CLIPS ANODIZED ALUMINUM
H-10.0	PLASTIC BUMPERS DOOR & DRAWER BUMPERS - PLASTIC TRANSPARENT



A SECTION
SCALE: 1-1/2" = 1'-0"
ARCH. REF.: 7/AB.1



B SECTION
SCALE: 1-1/2" = 1'-0"
ARCH. REF.: NONE

PROJECT:

ARCHITECT / DESIGNER:

CONTRACTOR:

LOCATION

BRUSHING 217

ITEM

CASEWORK & PANELING

PROJECT MANAGER:
XXX

DRAWN BY:
HD

SCALE:
AS NOTED

DATE DRAWN:
07/09/2020

REVISIONS:
#1: 10/08/2020

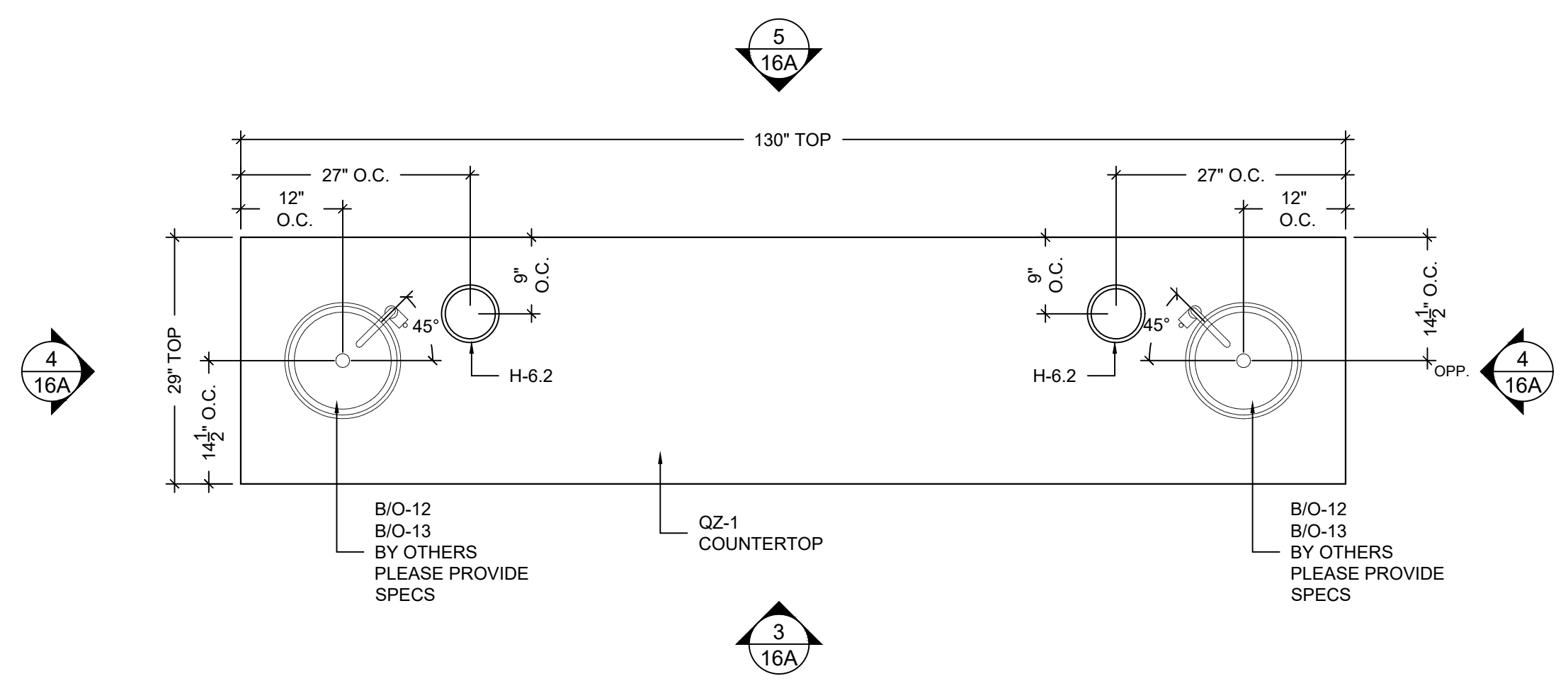
JOB NUMBER:
XXX

#2:
#3:
#4:
#5:
#6:
#7:
#8:

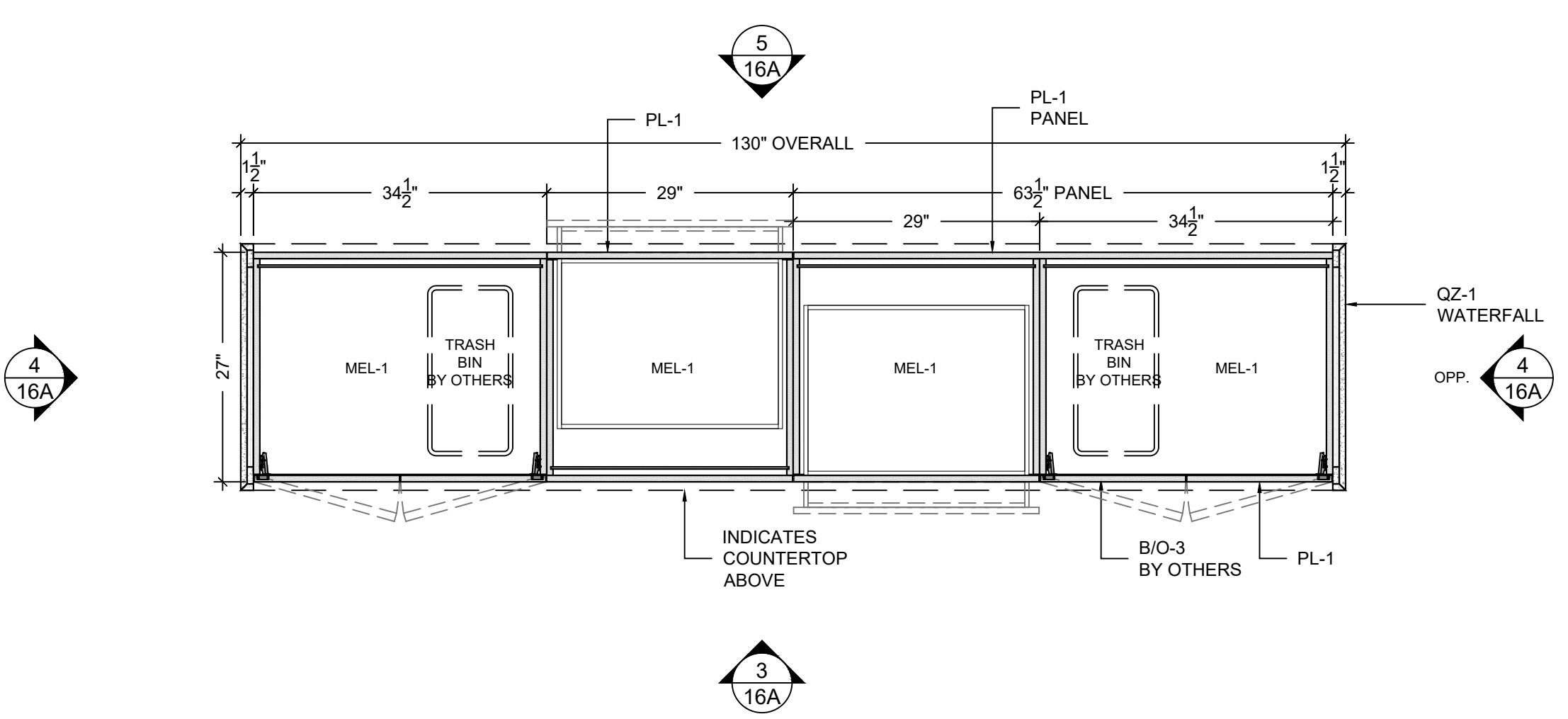
SHEET NUMBER:

15B

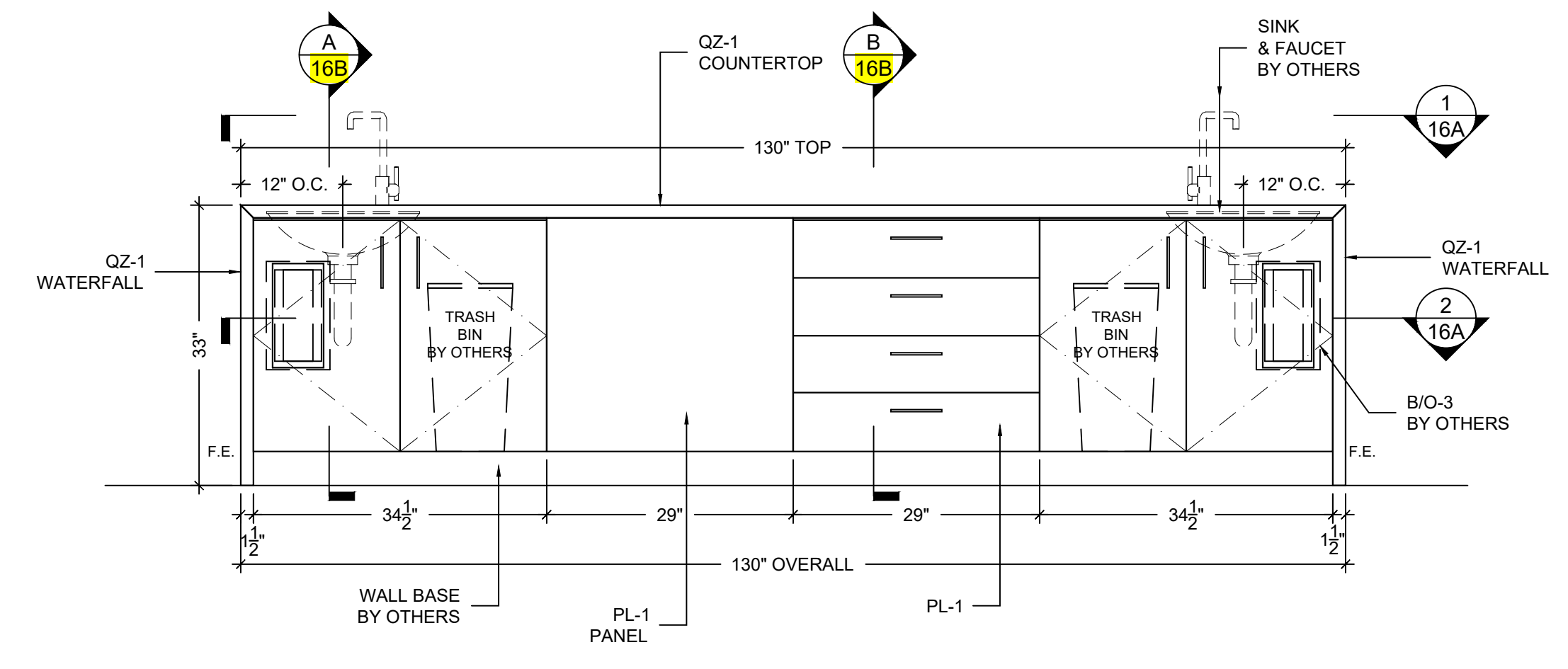
BY OTHERS SCHEDULE					
ITEM	EQUIPMENT	MANUFACTURER	MODEL	DIMENSIONS	COUNTER CUT OUTS
B/O-3	COUNTERTOP/CABINET FACE PAPER TOWEL DISPENSER	GREENO	SCH-M W/* #180 BIOHAZARDOUS SHARPS CONTAINER	-	-
B/O-12	SINK	PLEASE PROVIDE SPECS	-	-	-
B/O-13	FAUCET	PLEASE PROVIDE SPECS	-	-	-



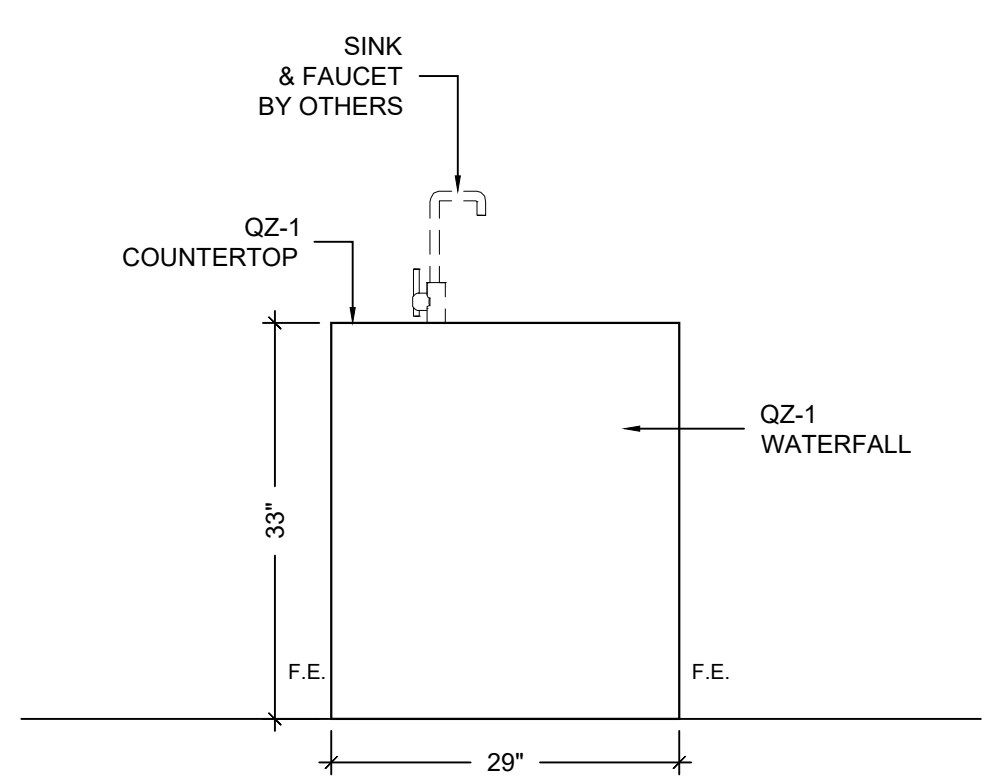
1 PLAN VIEW - CASEWORK @ OPEN BAY 218
SCALE: 3/4" = 1'-0" ARCH. REF.: 1/AB.1



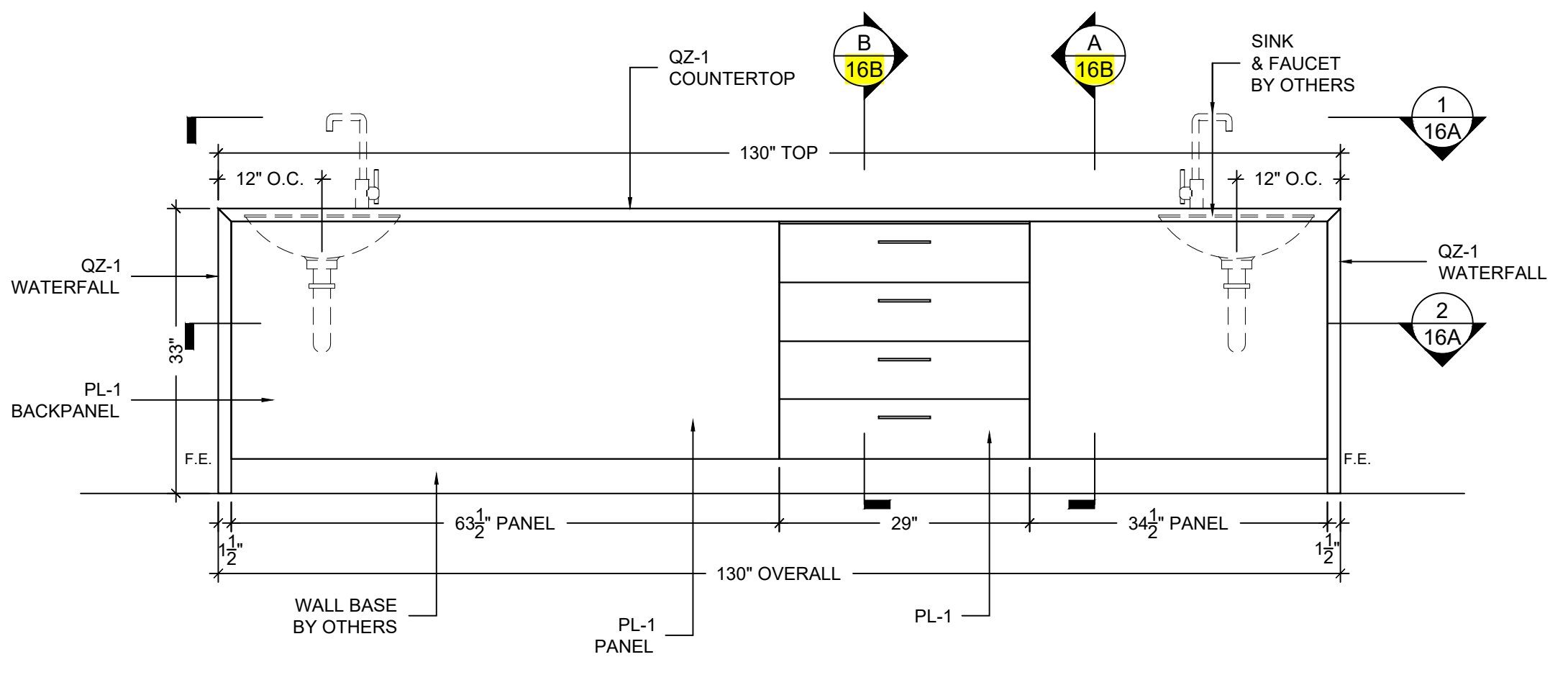
2 PLAN SECTION - CASEWORK @ OPEN BAY 218
SCALE: 3/4" = 1'-0" ARCH. REF.: NONE



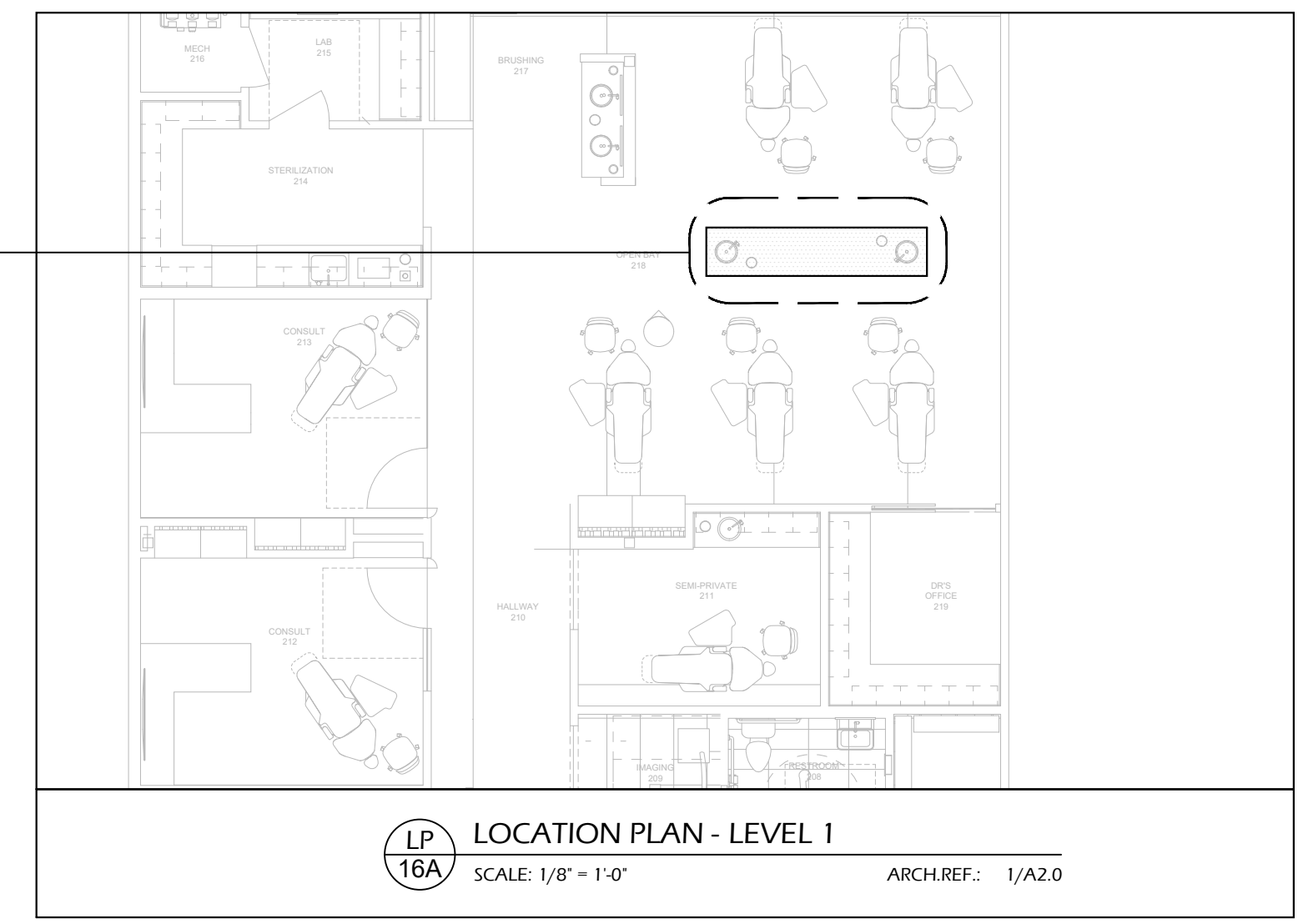
3 ELEVATION - CASEWORK @ OPEN BAY 218
SCALE: 3/4" = 1'-0" ARCH. REF.: 3/A6.2



4 SIDE ELEVATION - CASEWORK @ OPEN BAY 218
SCALE: 3/4" = 1'-0" ARCH. REF.: NONE



5 ELEVATION - CASEWORK @ OPEN BAY 218
SCALE: 3/4" = 1'-0" ARCH. REF.: NONE



LP LOCATION PLAN - LEVEL 1
SCALE: 1/8" = 1'-0" ARCH. REF.: 1/A2.0

FINISH INDEX	
MEL-1	MELAMINE INTERIORS WHITE COLOR
PL-1	PLASTIC LAMINATE NEVAMAR - S7024G - CHALK WHITE - FINISH: GLOSS
QZ-1	2CM QUARTZ HANSTONE CHANTILLY - GLOSS

HARDWARE INDEX	
H-1.0	CONCEALED EUROPEAN HINGE BLUM - 170° SWING
H-2.0	8" WIRE PULL DOUG MOCKETT - DP128 - MATTE CHROME
H-3.5	DRAWER SLIDES ACCURIDE 3832 100LBS FULL EXTENSION 20"
H-6.2	6" TRASH DROP MOCKETT - TM1A - STAINLESS STEEL - 2" DEEP
H-10.0	PLASTIC BUMPERS DOOR & DRAWER BUMPERS - PLASTIC TRANSPARENT

PROJECT:

ARCHITECT / DESIGNER:

CONTRACTOR:

LOCATION

OPEN BAY 218

ITEM

CASEWORK

PROJECT MANAGER:
XXX

DRAWN BY:
HD

SCALE:
AS NOTED

DATE DRAWN:
07/09/2020

REVISIONS:
#1: 10/08/2020

JOB NUMBER:
XXX

#2:
#3:
#4:
#5:
#6:
#7:
#8:

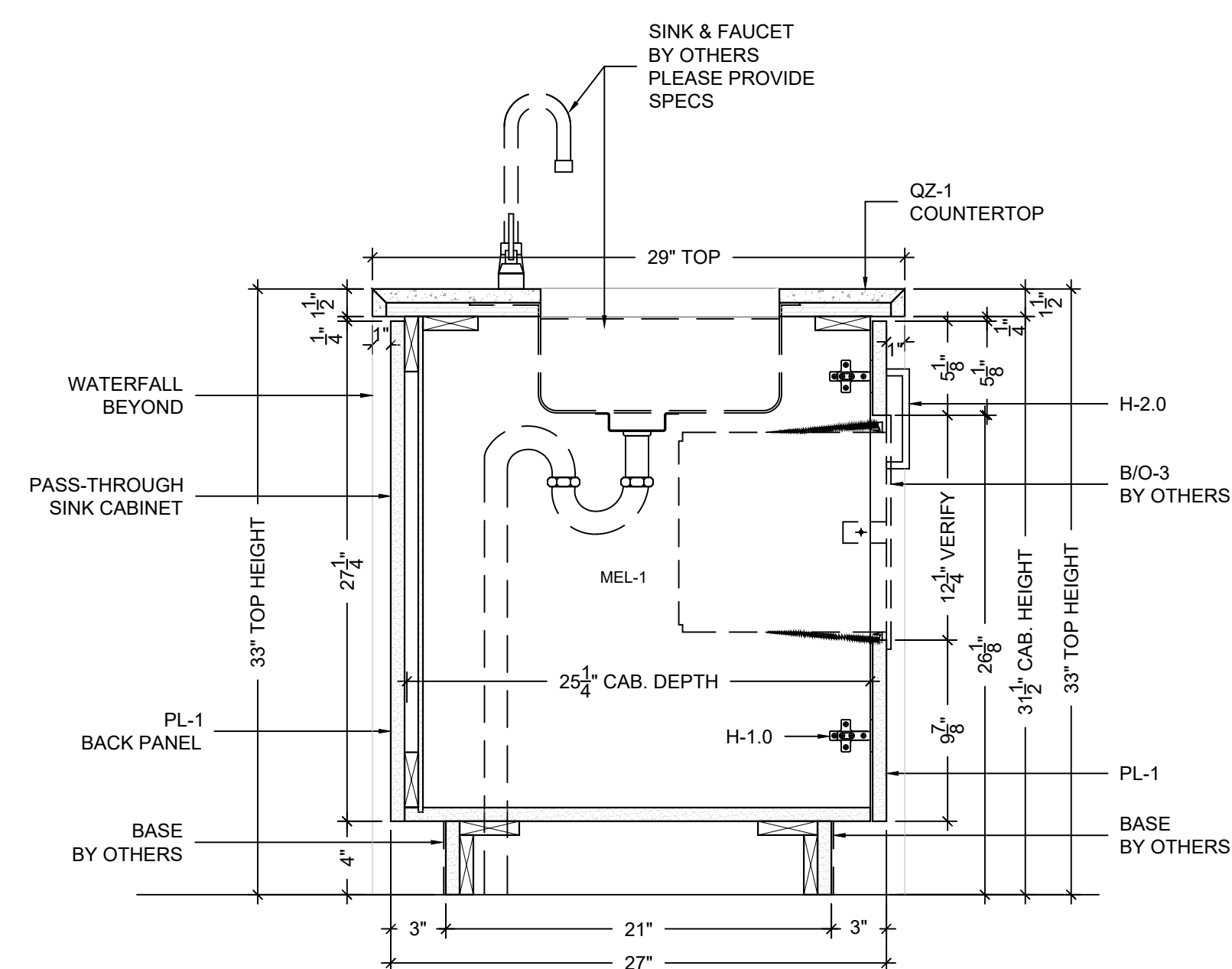
SHEET NUMBER:
16A

FINISH INDEX

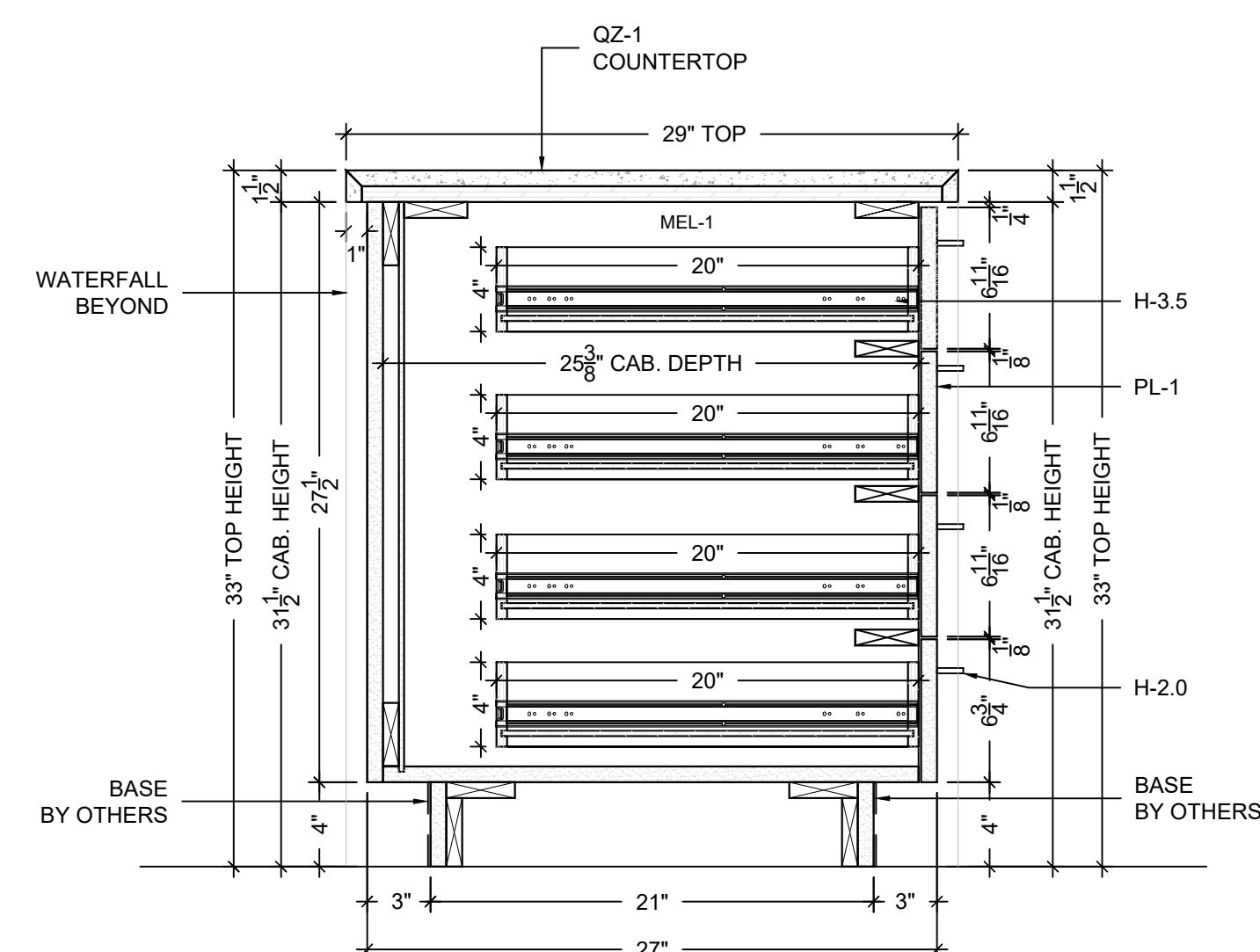
MEL-1	MELAMINE INTERIORS WHITE COLOR
PL-1	PLASTIC LAMINATE NEVAMAR - S7024G - CHALK WHITE - FINISH: GLOSS
QZ-1	2CM QUARTZ HANSTONE CHANTILLY - GLOSS

HARDWARE INDEX

H-1.0	CONCEALED EUROPEAN HINGE BLUM - 170° SWING
H-2.0	6" WIRE PULL DOUG MOCKETT - DP128 - MATTE CHROME
H-3.5	DRAWER SLIDES ACCURIDE 3832 100LBS FULL EXTENSION 20"
H-6.2	6" TRASH DROP MOCKETT - TM1A - STAINLESS STEEL - 2"DEEP
H-10.0	PLASTIC BUMPERS DOOR & DRAWER BUMPERS - PLASTIC TRANSPARENT



A SECTION
16B SCALE: 1-1/2" = 1'-0" ARCH. REF.: NONE



B SECTION
16B SCALE: 1-1/2" = 1'-0" ARCH. REF.: NONE

PROJECT:

ARCHITECT / DESIGNER:

CONTRACTOR:

LOCATION

OPEN BAY 218

ITEM

CASEWORK

PROJECT MANAGER:
XXX

DRAWN BY:
HD

SCALE:
AS NOTED

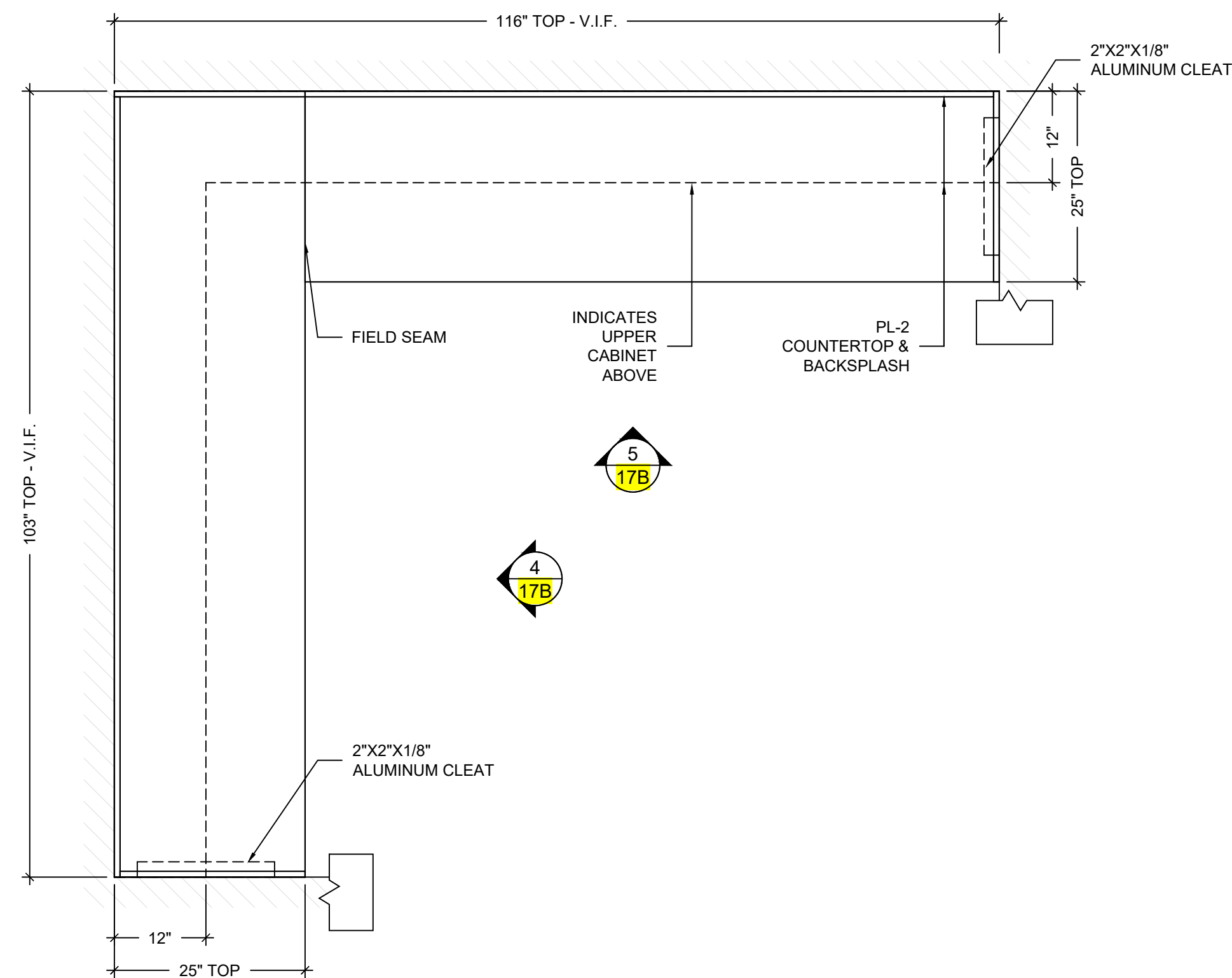
DATE DRAWN:
07/09/2020

REVISIONS:
#1: 10/08/2020
#2:
#3:
#4:
#5:
#6:
#7:
#8:

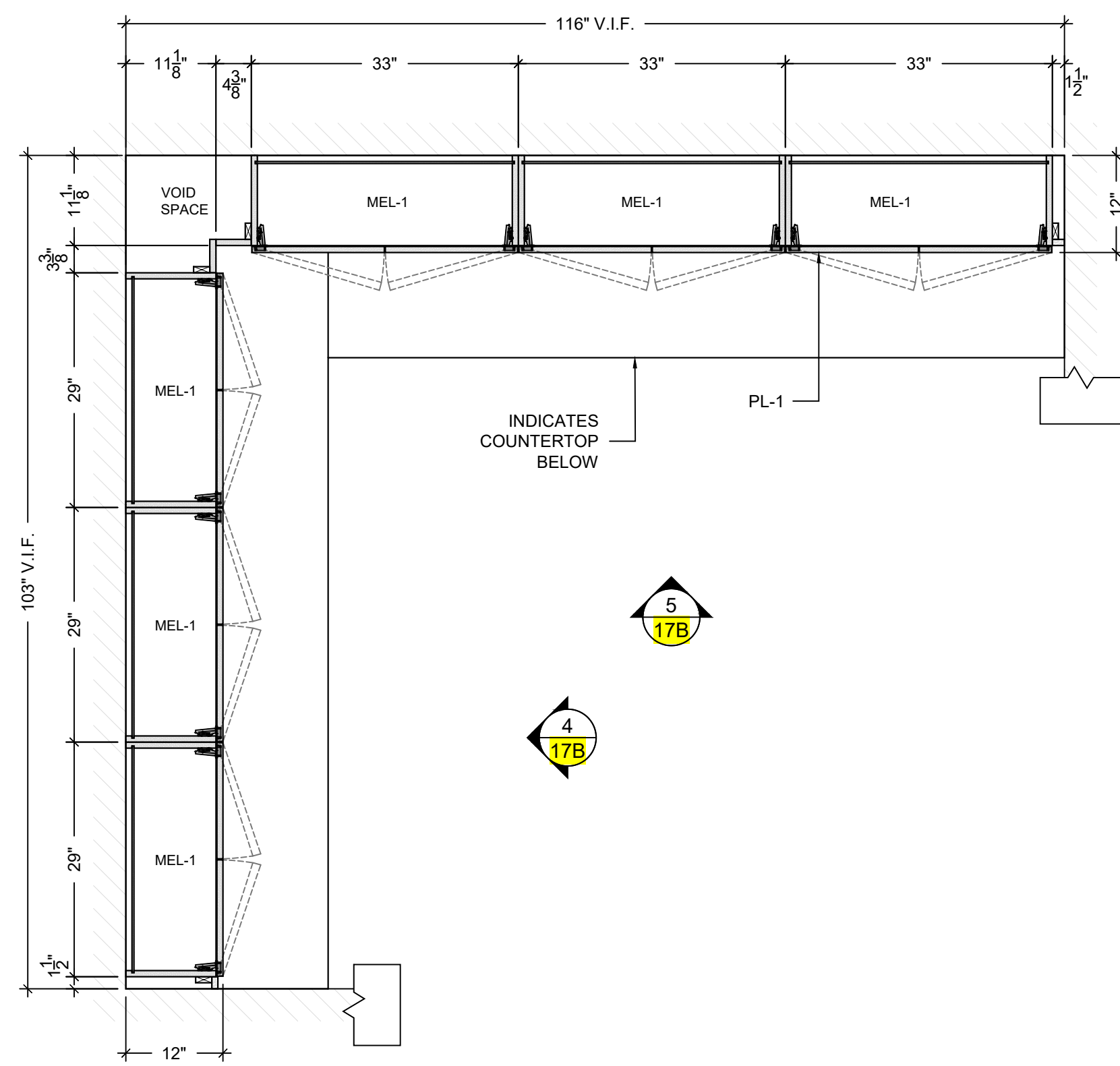
JOB NUMBER:
XXX

SHEET NUMBER:

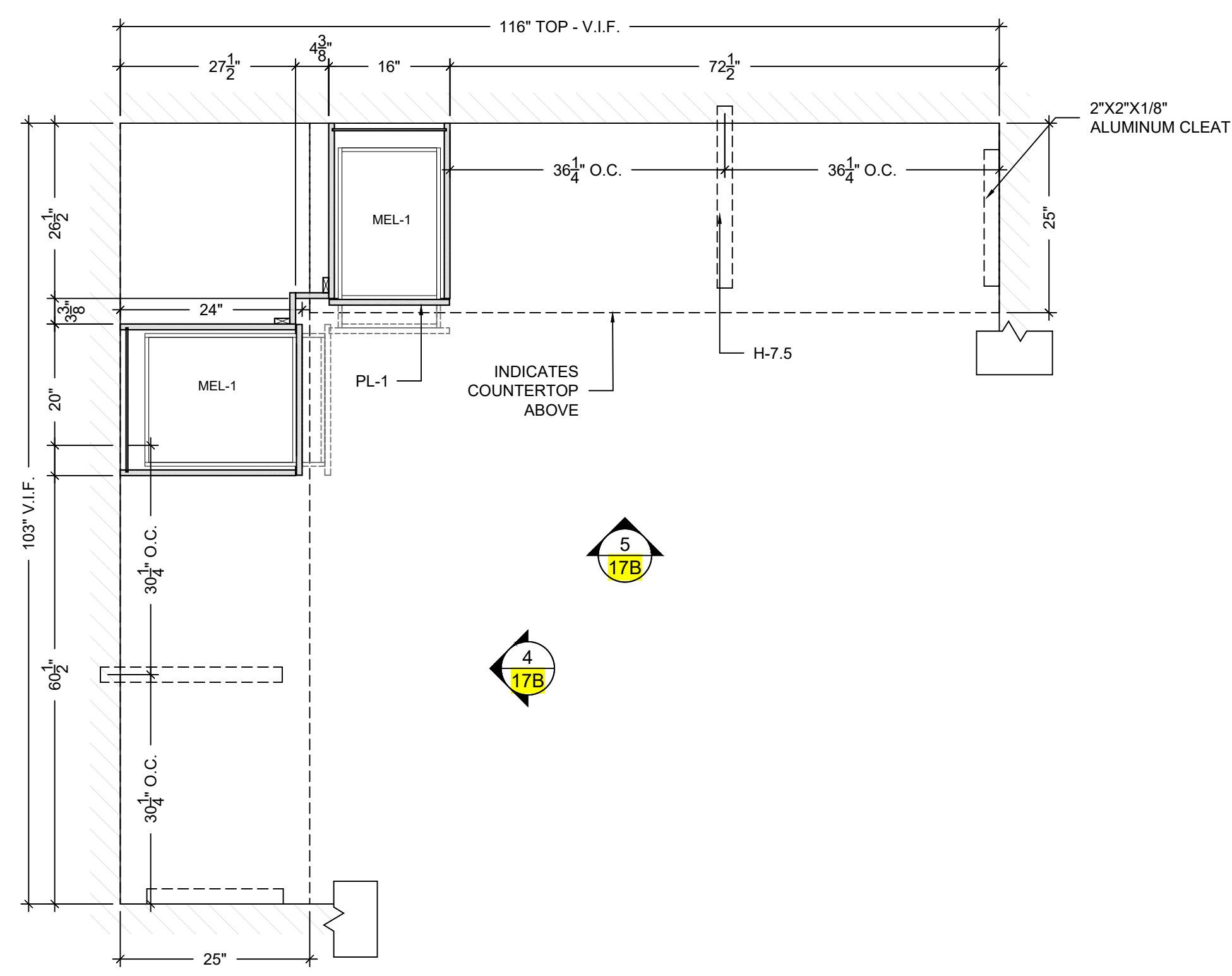
16B



1
17A PLAN VIEW - DR'S OFFICE 219
SCALE: 1"=1'-0" ARCH.REF.: 1/A2.0

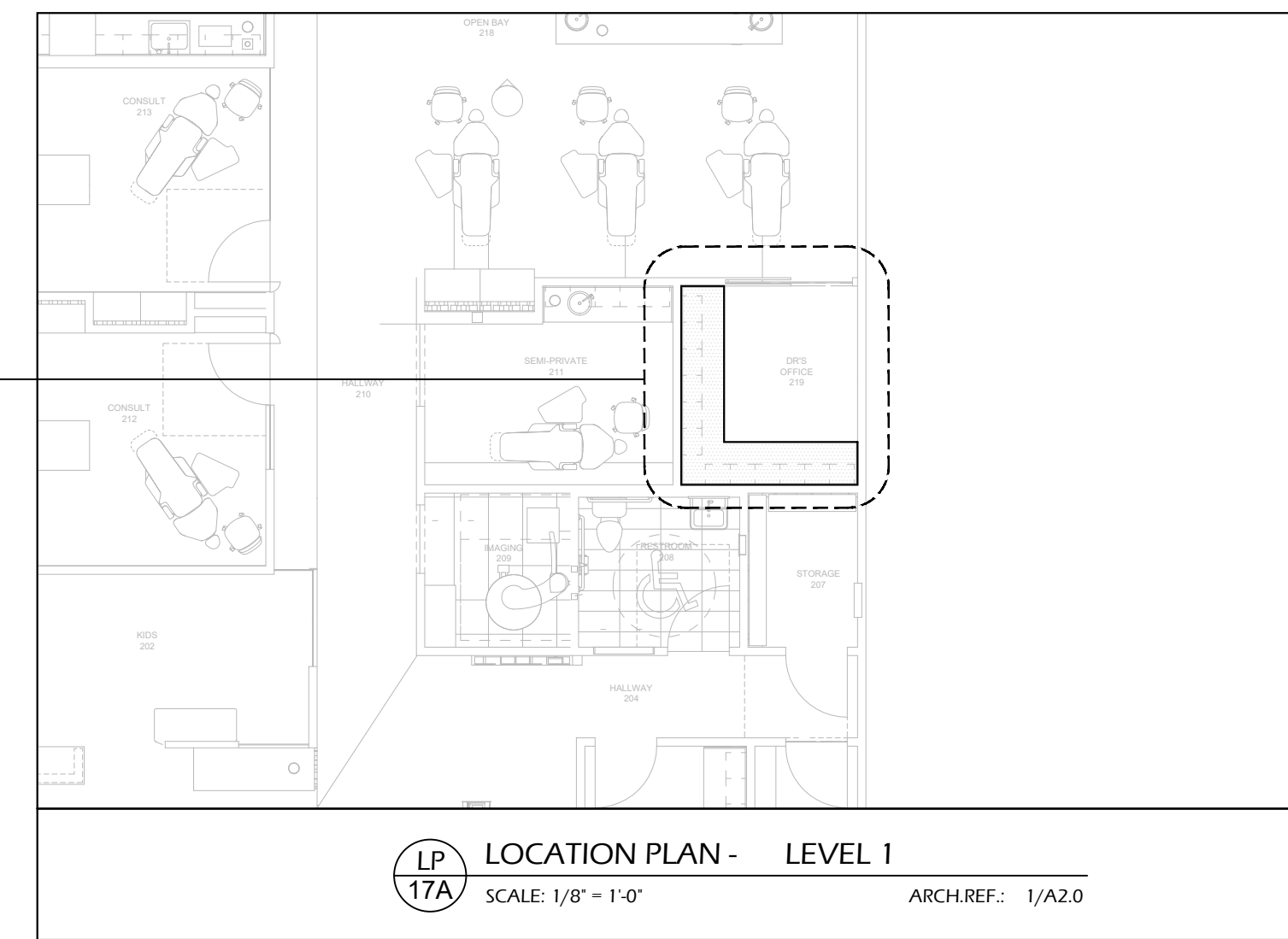


2
17A PLAN SECTION - DR'S OFFICE 219
SCALE: 1"=1'-0" ARCH.REF.: NONE



3
17A PLAN SECTION - DR'S OFFICE 219
SCALE: 1"=1'-0" ARCH.REF.: NONE

1
17A



LP
17A LOCATION PLAN - LEVEL 1
SCALE: 1/8"=1'-0" ARCH.REF.: 1/A2.0

FINISH INDEX

MEL-1	MELAMINE INTERIORS WHITE COLOR
PL-1	PLASTIC LAMINATE NEVAMAR - S7024G - CHALK WHITE - FINISH: GLOSS
PL-2	PLASTIC LAMINATE NEVAMAR - NM555-T024-SD THRUCOLOR - CHALK WHITE - TEXTURED/SUEDE

HARDWARE INDEX

H-1.0	CONCEALED EUROPEAN HINGE BLUM - 170° SWING
H-2.0	8" WIRE PULL DOUG MOCKETT - DP128 - MATTE CHROME
H-3.5	DRAWER SLIDES ACCURIDE 3832 100LBS FULL EXTENSION 20"
H-4.0	5mm SHELF PINS KV 332 ANO - ANOCHROME FINISH
H-5.1	HANGING FILE BRACKET HAFELE - 424-31-910 - STEEL, ZINC PLATED
H-5.2	HANGING FILE BAR ALUMINUM HAFELE - 422.74.900 - ALUMINUM - UNFINISHED
H-7.5	CONCEALED BRACKET A&M HARDWARE - C24 - 2.0
H-8.0	1-3/16" CAM LOCK - OVERLAY/FLUSH COMP-X - C8053 - BRIGHT NICKEL - KEYED ALIKE
H-10.0	PLASTIC BUMPERS DOOR & DRAWER BUMPERS - PLASTIC TRANSPARENT

PROJECT:

ARCHITECT / DESIGNER:

CONTRACTOR:

LOCATION

DR'S OFFICE 219

ITEM

CASEWORK

PROJECT MANAGER:
XXX

DRAWN BY:
HD

SCALE:
AS NOTED

DATE DRAWN:
07/09/2020

REVISIONS:
#1: 10/08/2020

JOB NUMBER:
XXX

#2:
#3:
#4:
#5:
#6:
#7:
#8:

SHEET NUMBER:

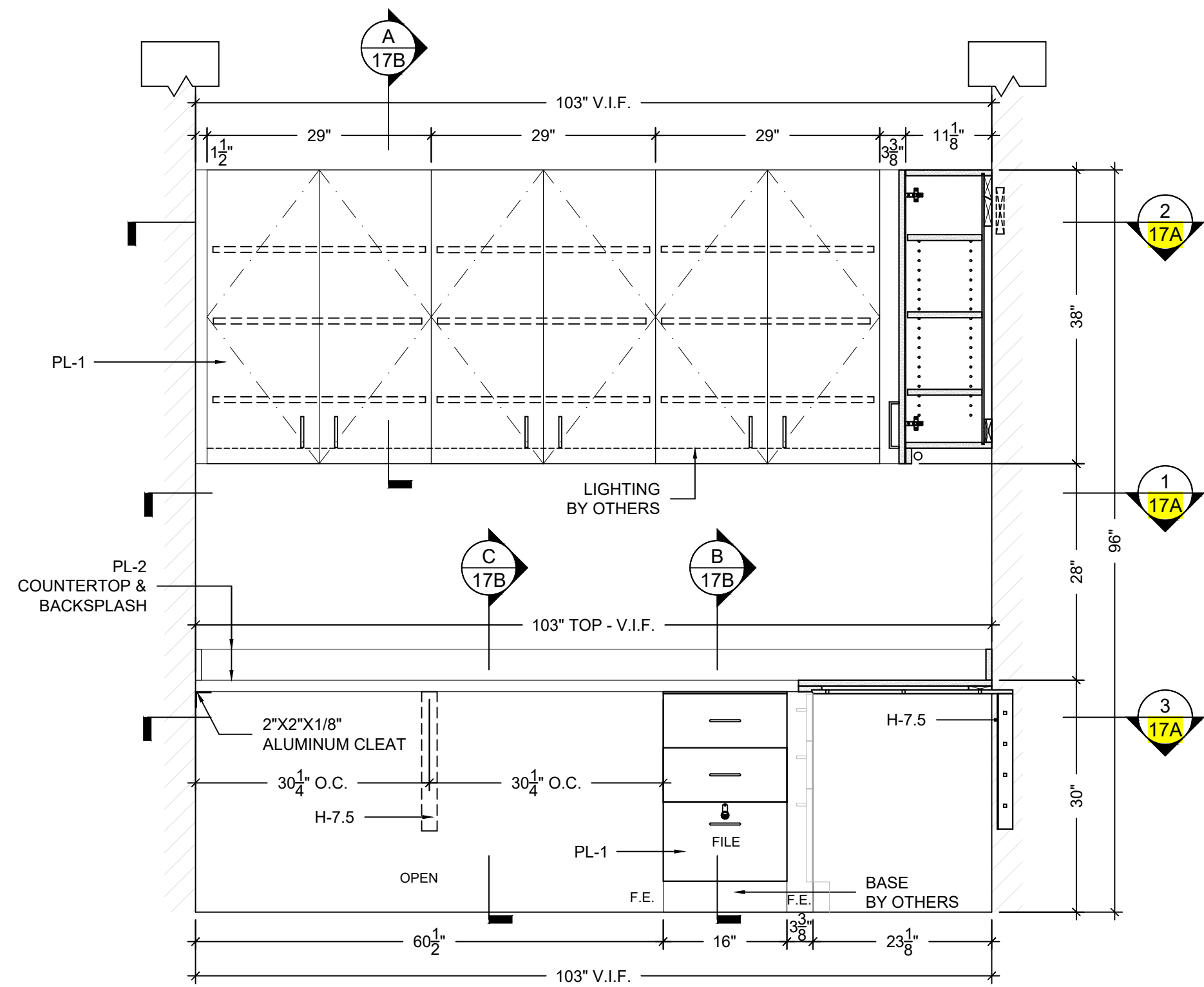
17A

FINISH INDEX

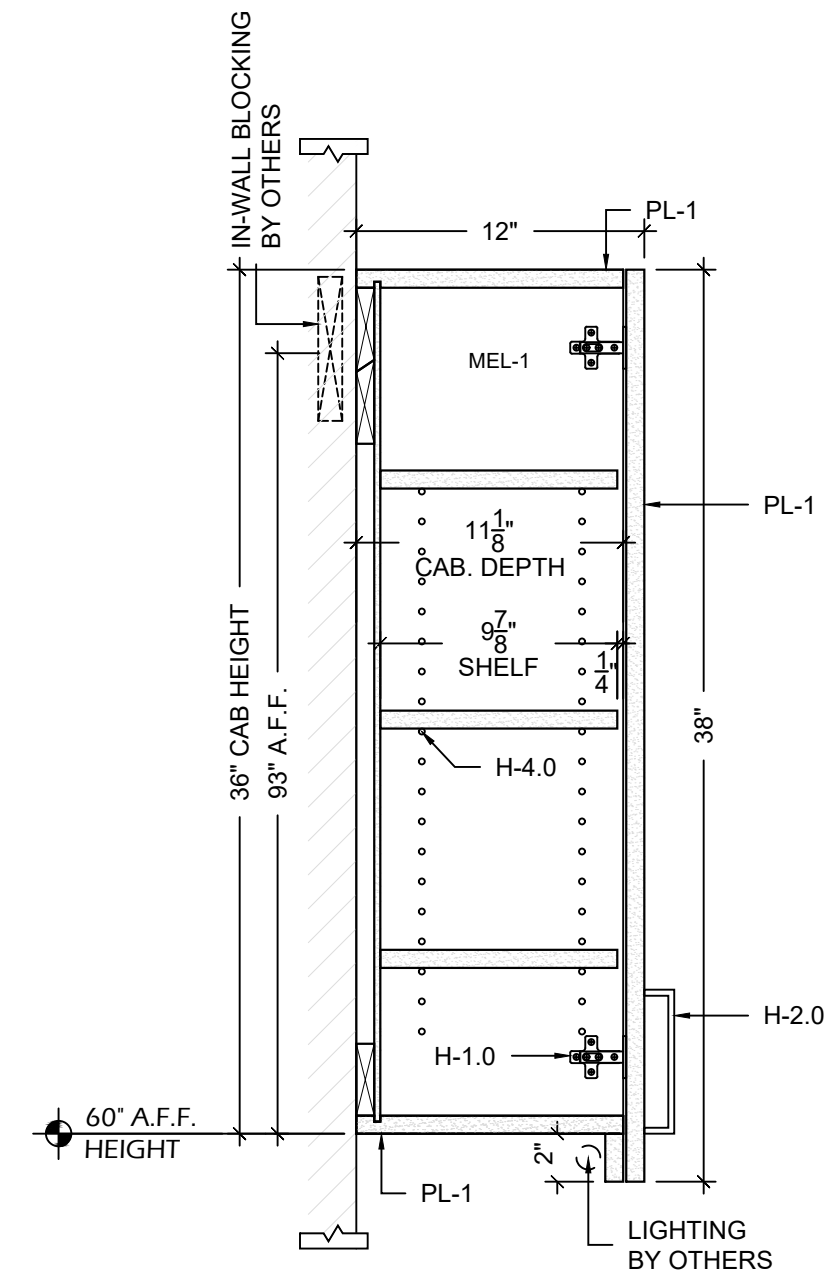
MEL-1	MELAMINE INTERIORS WHITE COLOR
PL-1	PLASTIC LAMINATE NEVAMAR - S7024G - CHALK WHITE - FINISH: GLOSS
PL-2	PLASTIC LAMINATE NEVAMAR - NM555-7024-SD THRUCOLOR - CHALK WHITE - TEXTURED/SUEDE

HARDWARE INDEX

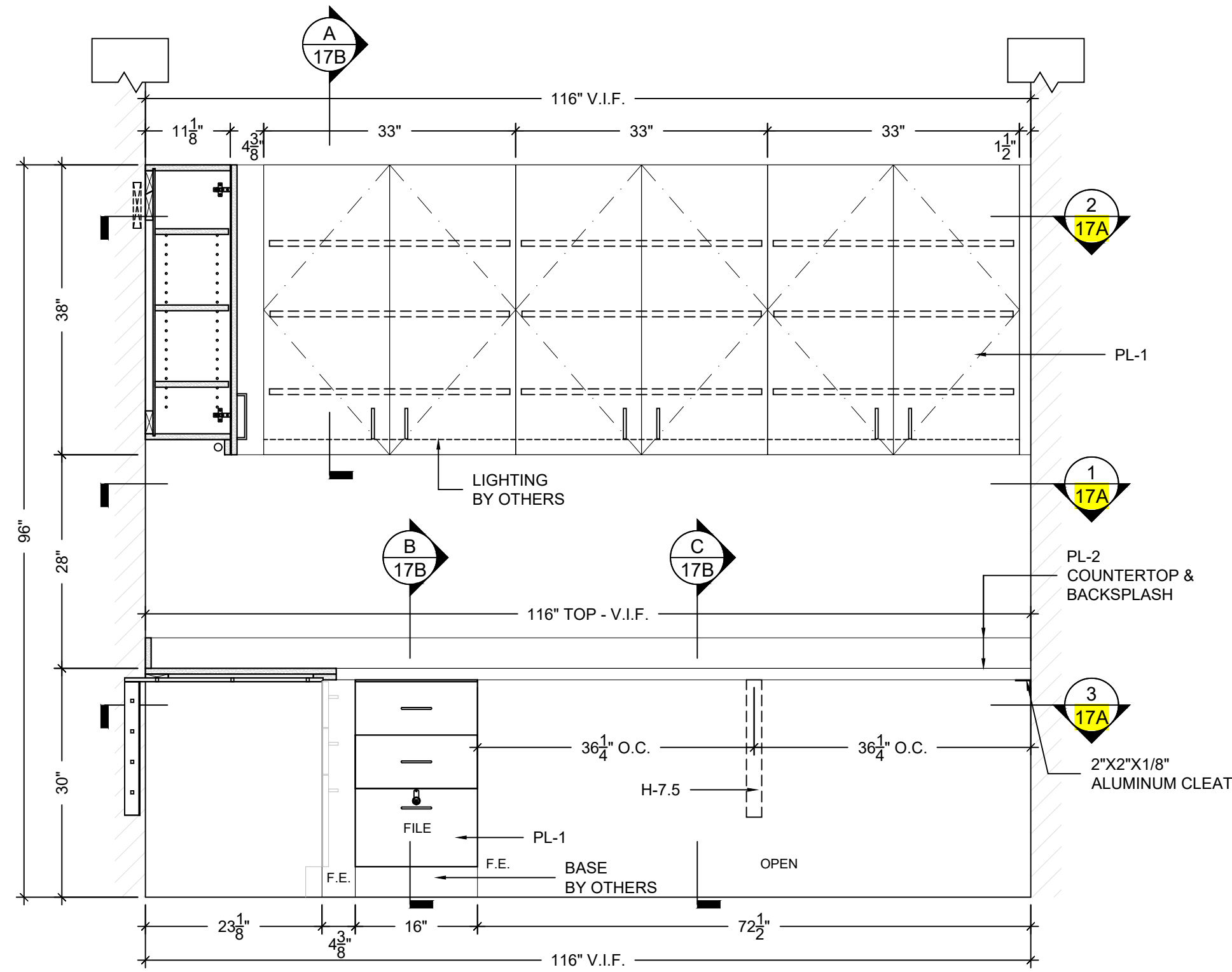
H-1.0	CONCEALED EUROPEAN HINGE BLUM - 170° SWING
H-2.0	6" WIRE PULL DOUG MOCKETT - DP128 - MATTE CHROME
H-3.5	DRAWER SLIDES ACCURIDE 3832 100LBS FULL EXTENSION 20"
H-4.0	5mm SHELF PINS KV 332 ANO - ANOCHROME FINISH
H-5.1	HANGING FILE BRACKET HAFELE - 424-31-910 - STEEL, ZINC PLATED
H-5.2	HANGING FILE BAR ALUMINUM HAFELE - 422.74.900 - ALUMINUM - UNFINISHED
H-7.5	CONCEALED BRACKET A&M HARDWARE - C24 - 2.0
H-8.0	1-3/16" CAM LOCK - OVERLAY/FLUSH COMP-X - C8053 - BRIGHT NICKEL - KEYED ALIKE
H-10.0	PLASTIC BUMPERS DOOR & DRAWER BUMPERS - PLASTIC TRANSPARENT



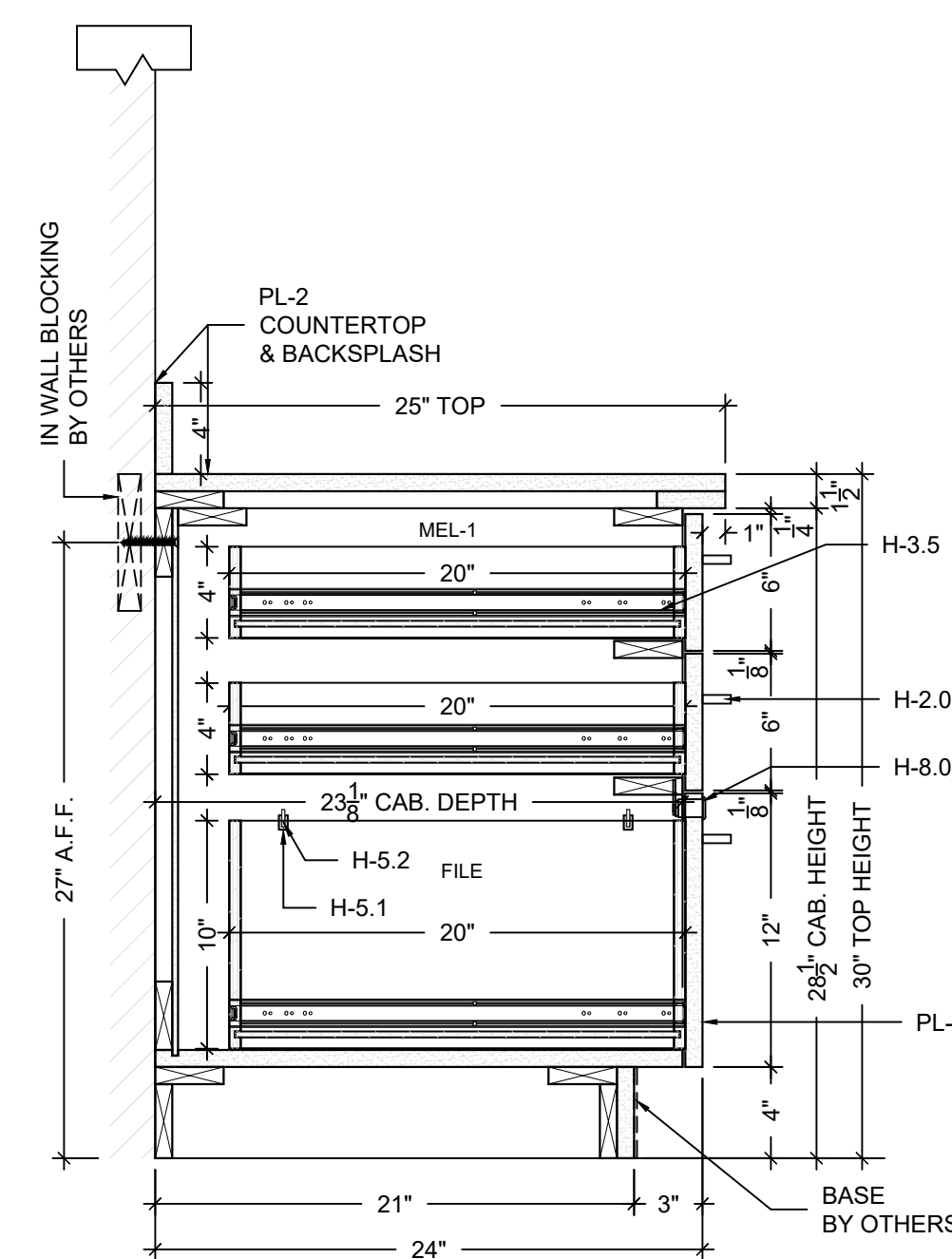
4
17B ELEVATION - DR'S OFFICE 219
SCALE: 1"=1'-0" ARCH.REF.: 6/A6.2



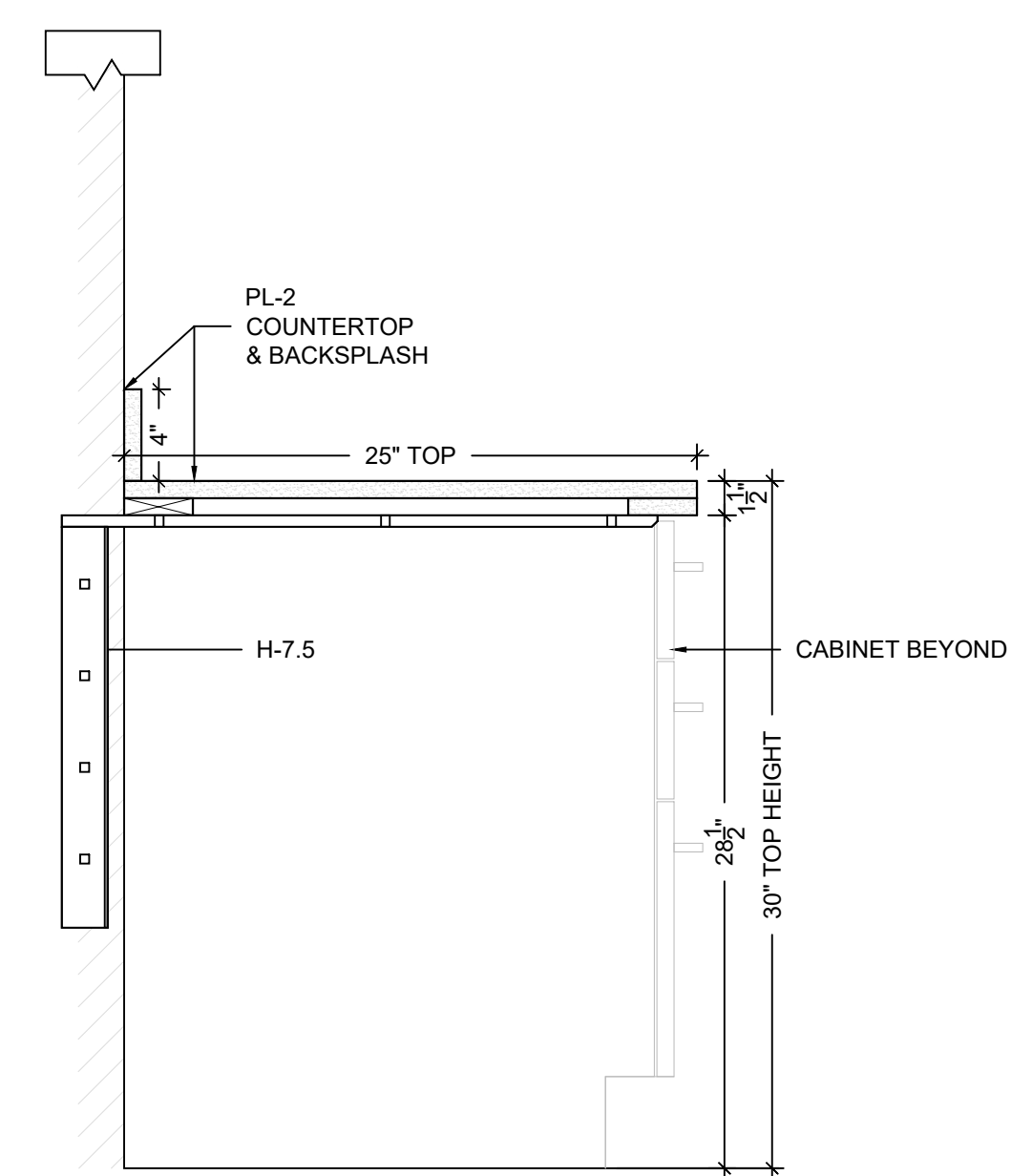
A
17B SECTION
SCALE: 1-1/2" = 1'-0" ARCH.REF.: NONE



5
17B ELEVATION - DR'S OFFICE 219
SCALE: 1"=1'-0" ARCH.REF.: 5/A6.2



B
17B SECTION
SCALE: 1-1/2" = 1'-0" ARCH.REF.: NONE



C
17B SECTION
SCALE: 1-1/2" = 1'-0" ARCH.REF.: NONE

PROJECT:

ARCHITECT / DESIGNER:

CONTRACTOR:

LOCATION

DR'S OFFICE 219

ITEM

CASEWORK

PROJECT MANAGER:

DRAWN BY:

XXX

HD

SCALE:

DATE DRAWN:

AS NOTED

07/09/2020

REVISIONS:

JOB NUMBER:

#1: 10/08/2020

XXX

#2:

SHEET NUMBER:

#3:

#4:

#5:

#6:

#7:

#8:

17B

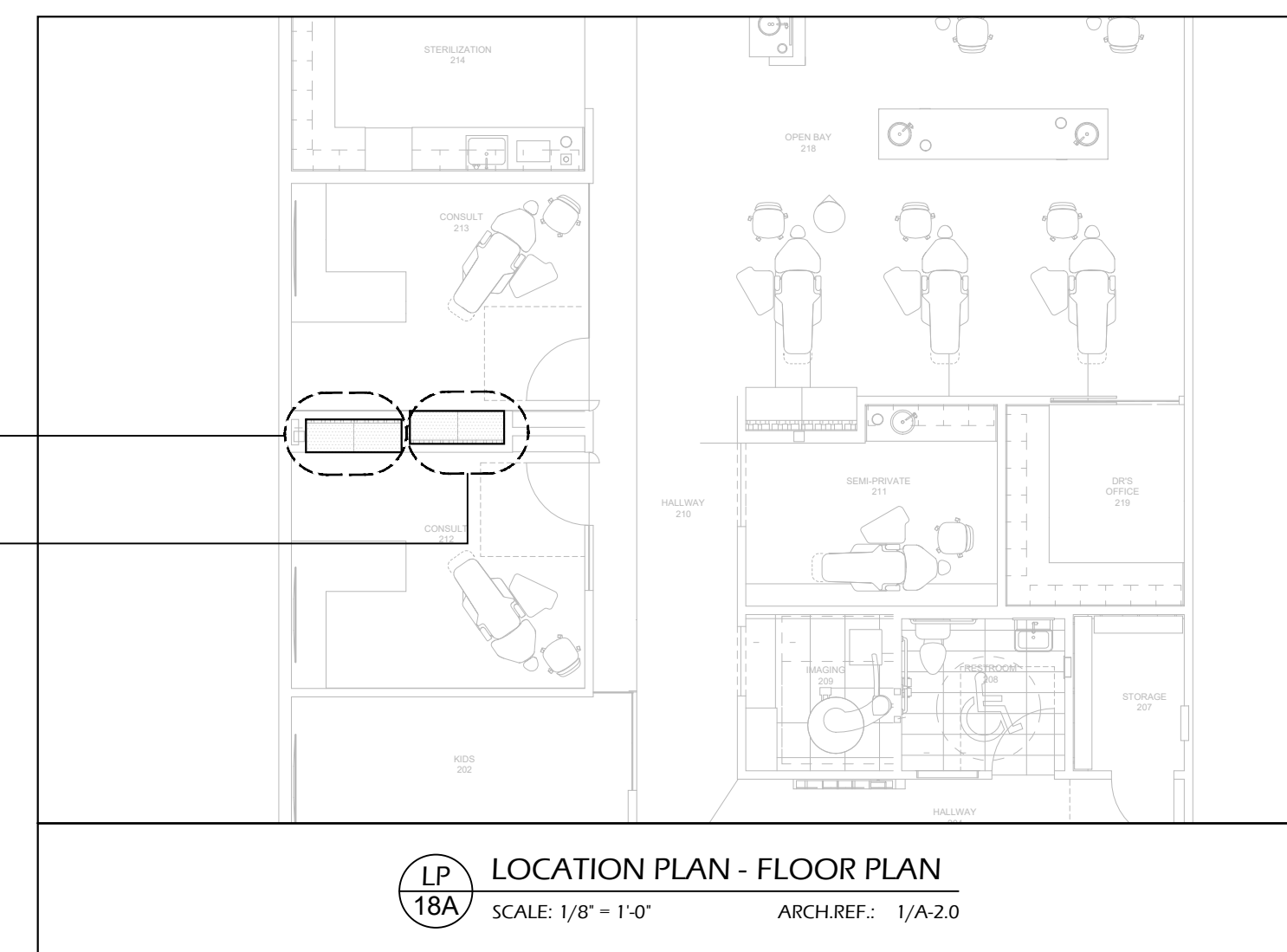
FINISH INDEX

UP-1	FAB-2 MAHARAM ARCADE - 466447 004 CRUISE
UP-2	FAB-1 MAHARAM BUFFET - 466492 006 GENERATE
WD-1	BLEACHED WHITE OAK TO MATCH ARCHITET'S SAMPLE - MATTE POLYURETHANE

HARDWARE

H-7.2	CONCEALED BRACKET A&M HARDWARE - C15 - 2.0
-------	---

1
18A
3
18A



LP
18A
SCALE: 1/8" = 1'-0" ARCH.REF: 1/A-2.0

PROJECT:

ARCHITECT / DESIGNER:

CONTRACTOR:

LOCATION

CONSULT 212 & 213

ITEM

BENCH

PROJECT MANAGER:

DRAWN BY:

XXX

HD

SCALE:

DATE DRAWN:

AS NOTED

07/09/2020

REVISIONS:

JOB NUMBER:

#1: 10/08/2020

XXX

#2:

SHEET NUMBER:

#3:

#4:

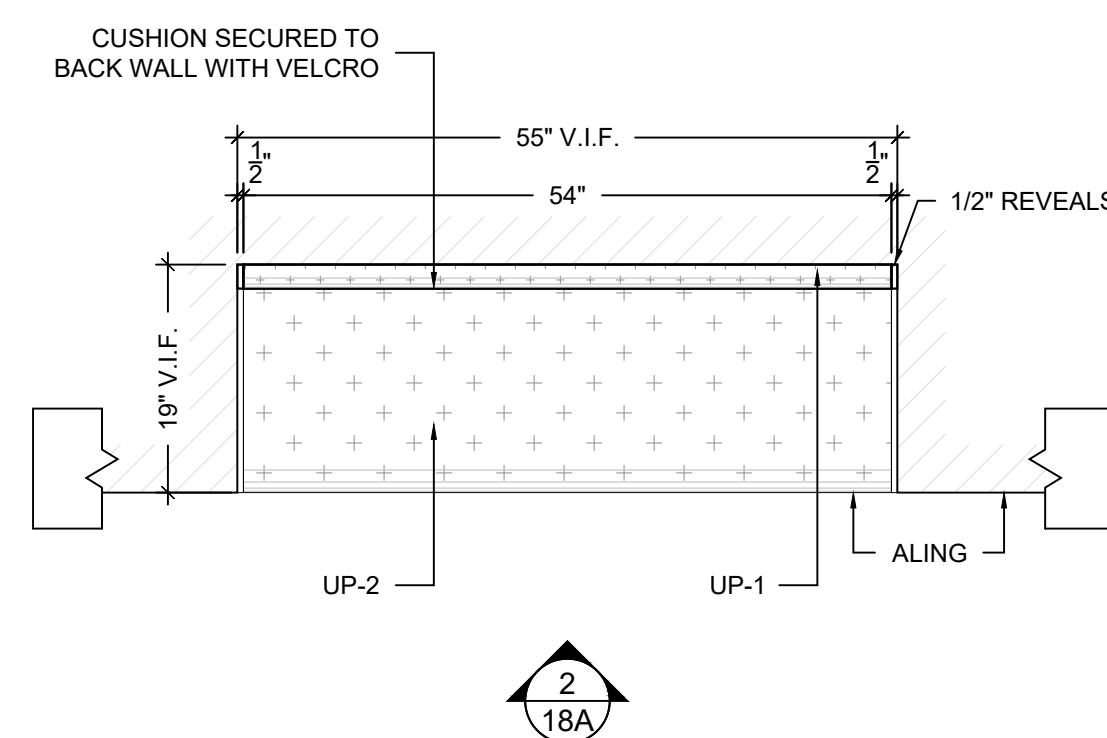
#5:

#6:

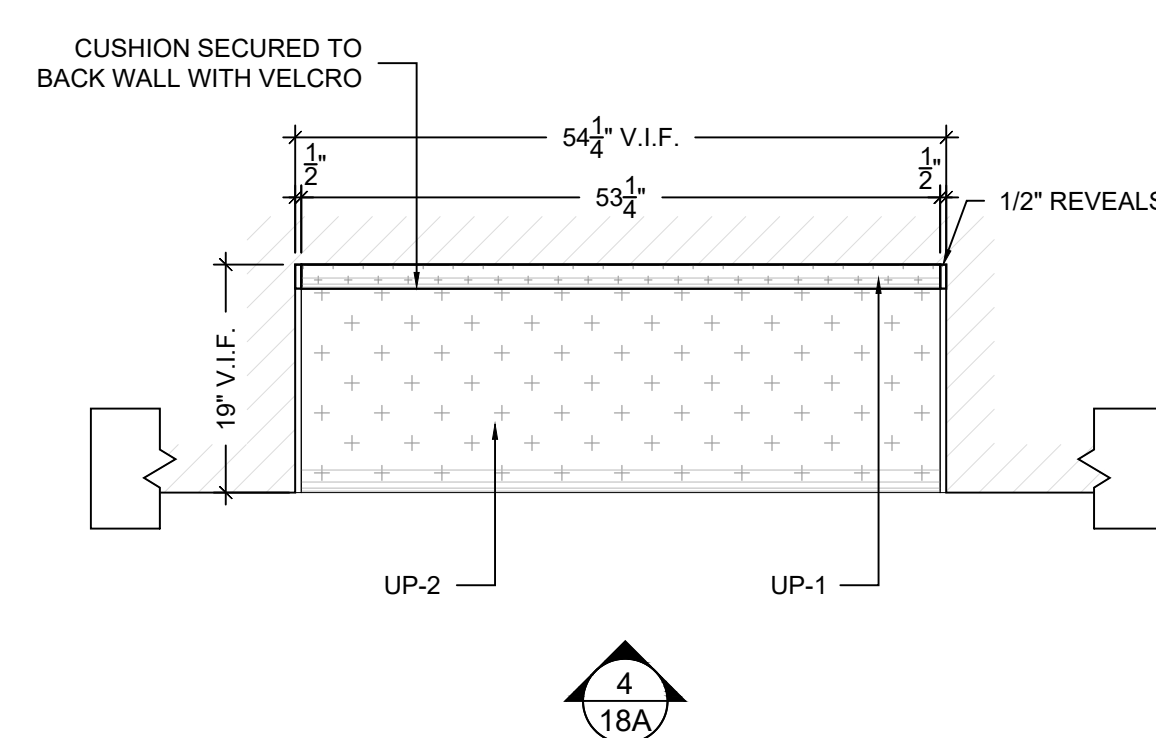
#7:

#8:

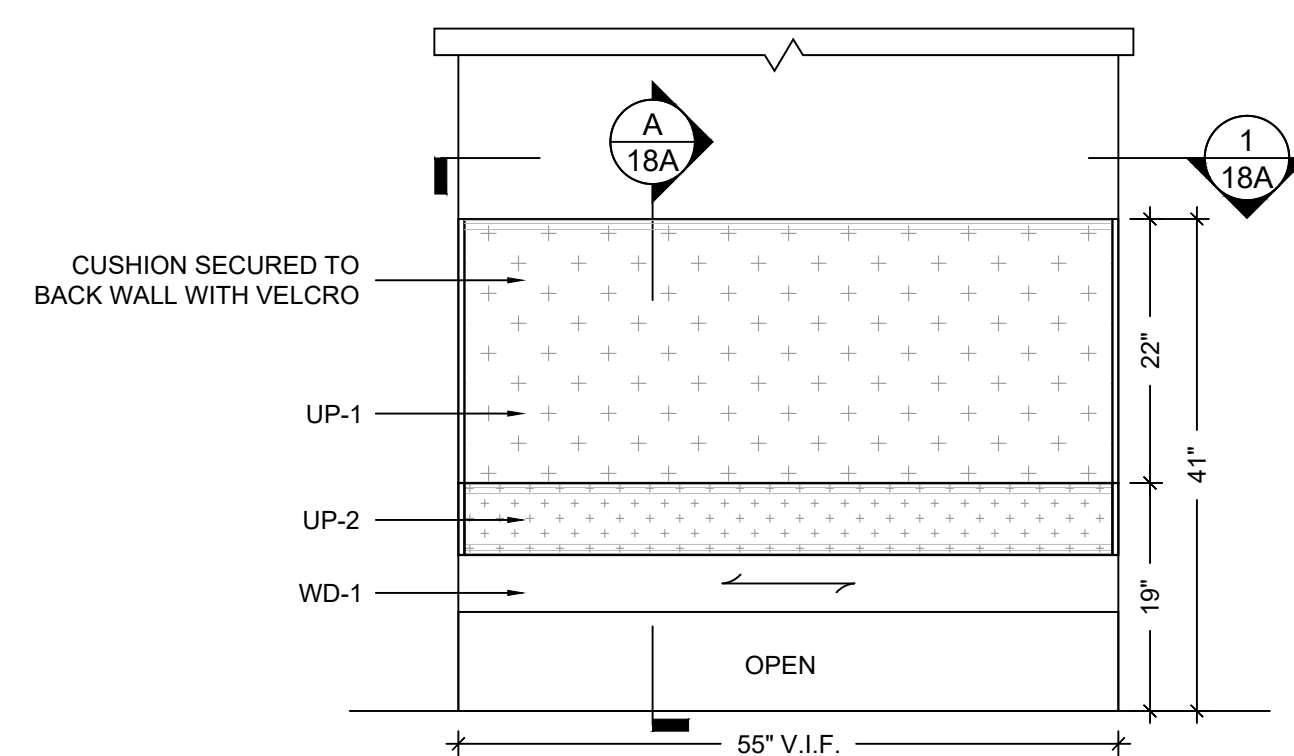
18A



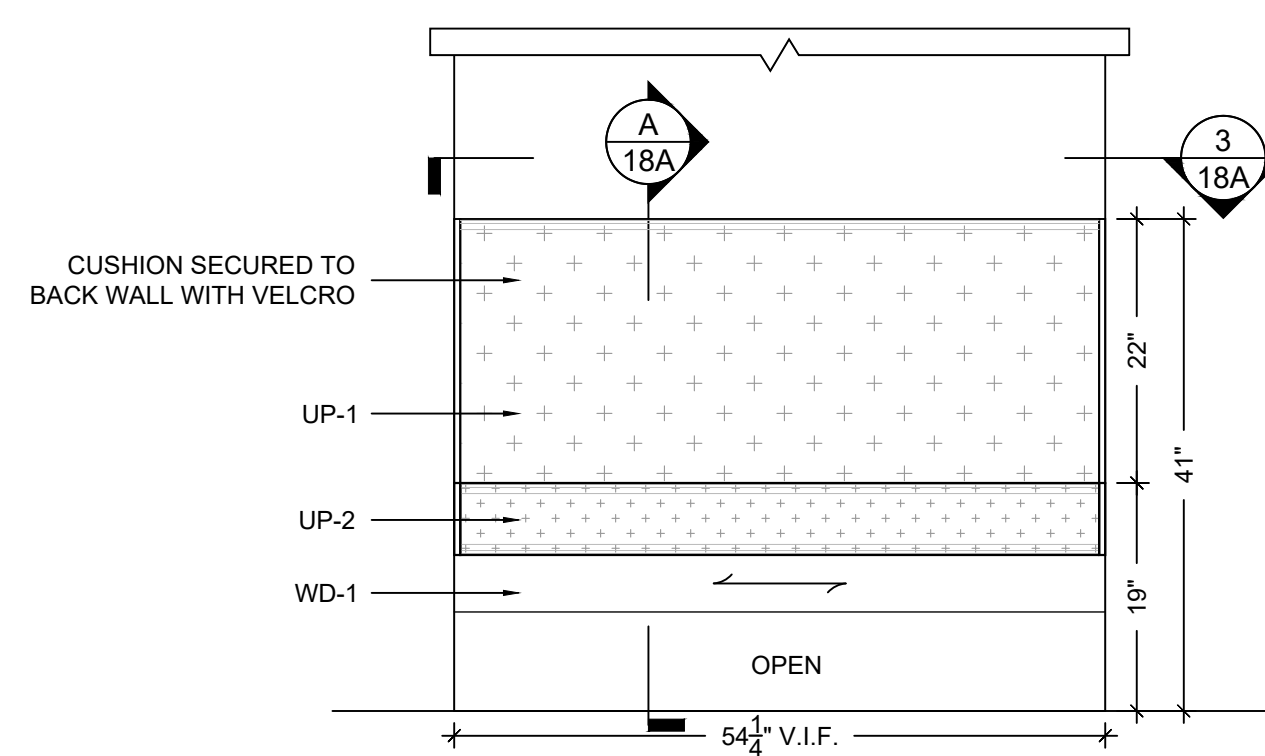
1
18A
SCALE: 1" = 1'-0" ARCH.REF: 1/A-2.0



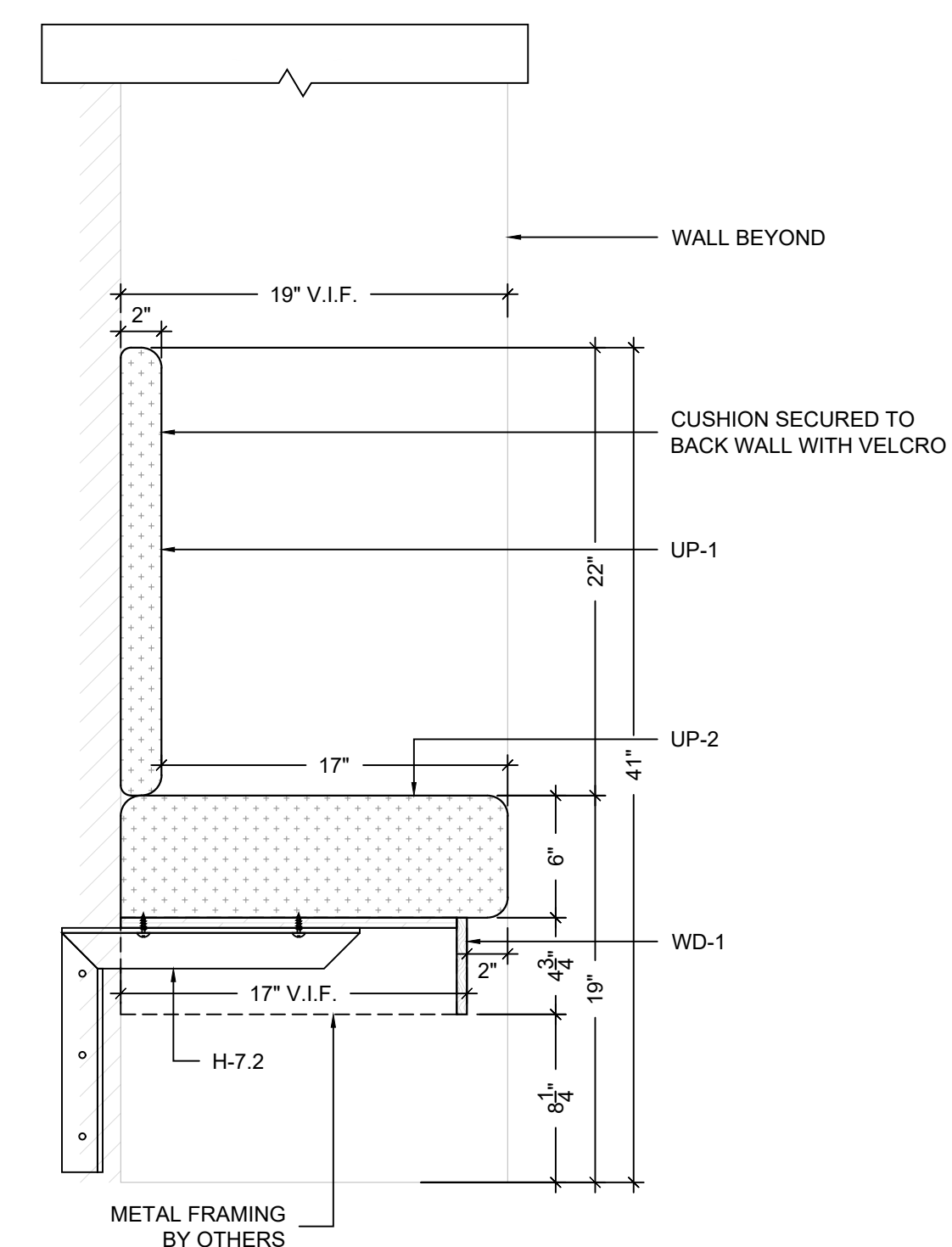
3
18A
SCALE: 1" = 1'-0" ARCH.REF: 1/A-2.0



2
18A
SCALE: 1" = 1'-0" ARCH.REF: 5/A-6.1



4
18A
SCALE: 1" = 1'-0" ARCH.REF: 5/A-6.1 SIM

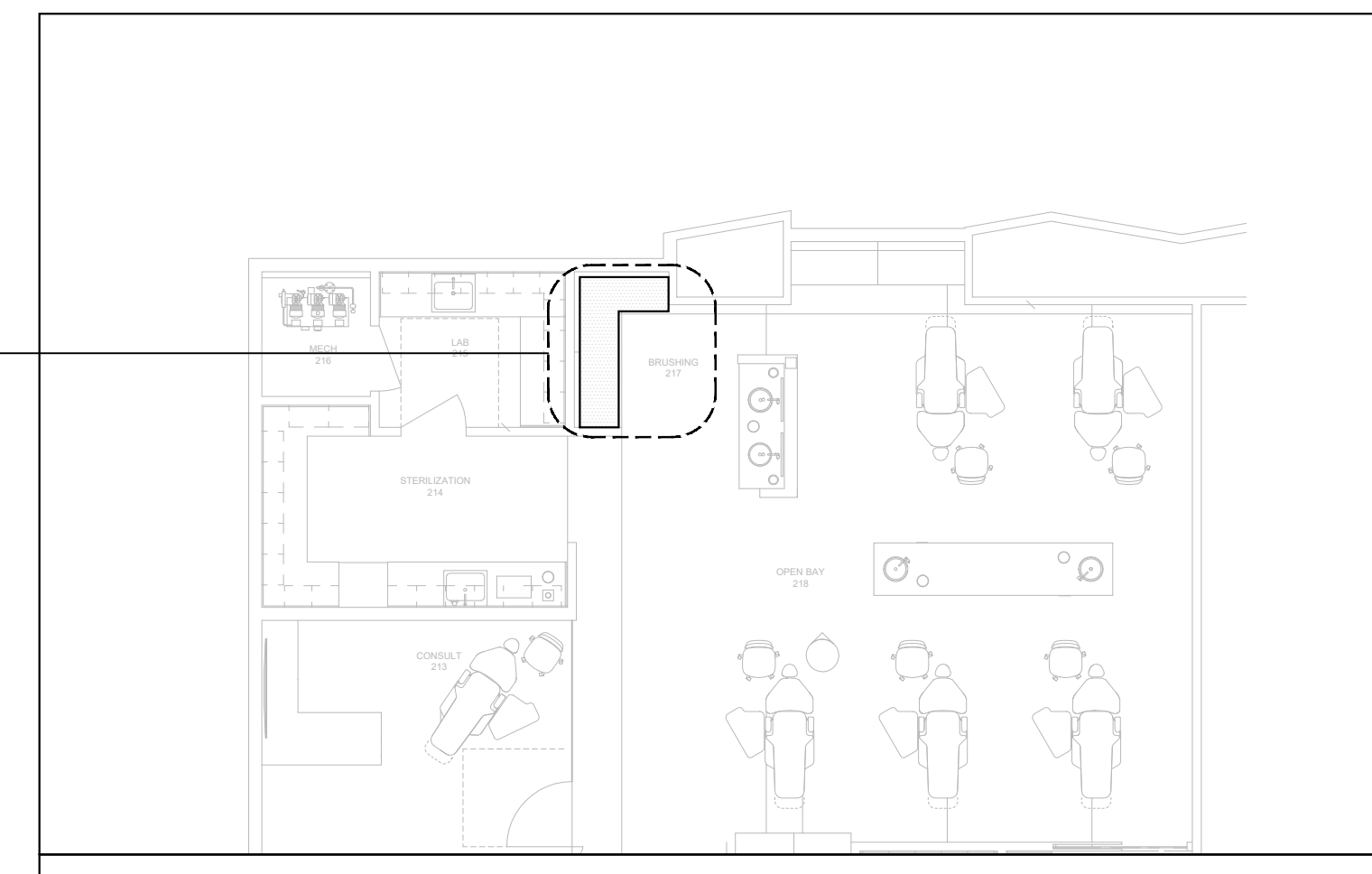


A
18A
SCALE: 1-1/2" = 1'-0" ARCH.REF: 8/A-8.1

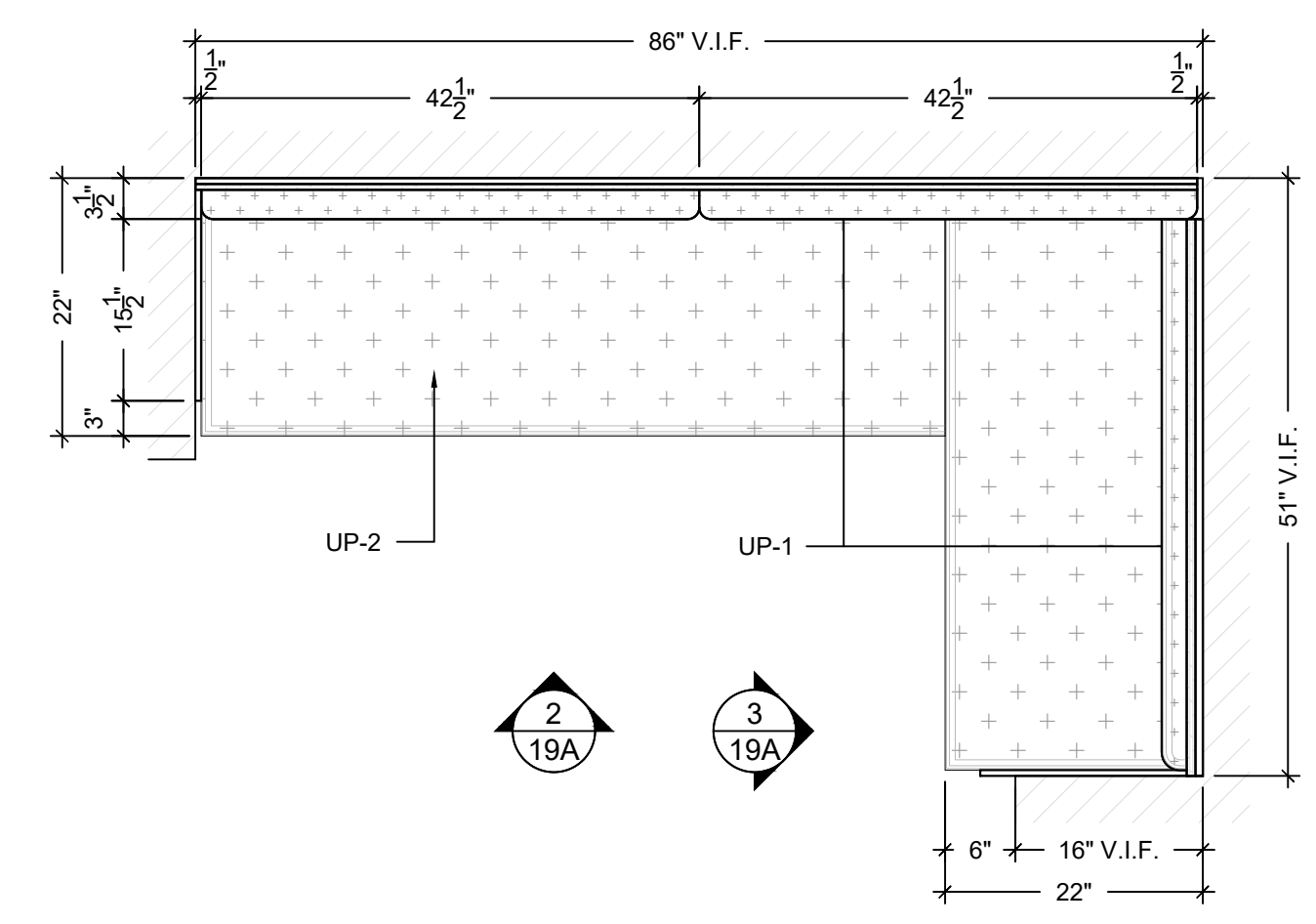
FINISH INDEX

UP-1	FAB-2 MAHARAM ARCADE - 466447 004 CRUISE
UP-2	FAB-1 MAHARAM BUFFET - 466492 006 GENERATE
WD-1	BLEACHED WHITE OAK TO MATCH ARCHITET'S SAMPLE - MATTE POLYURETHANE

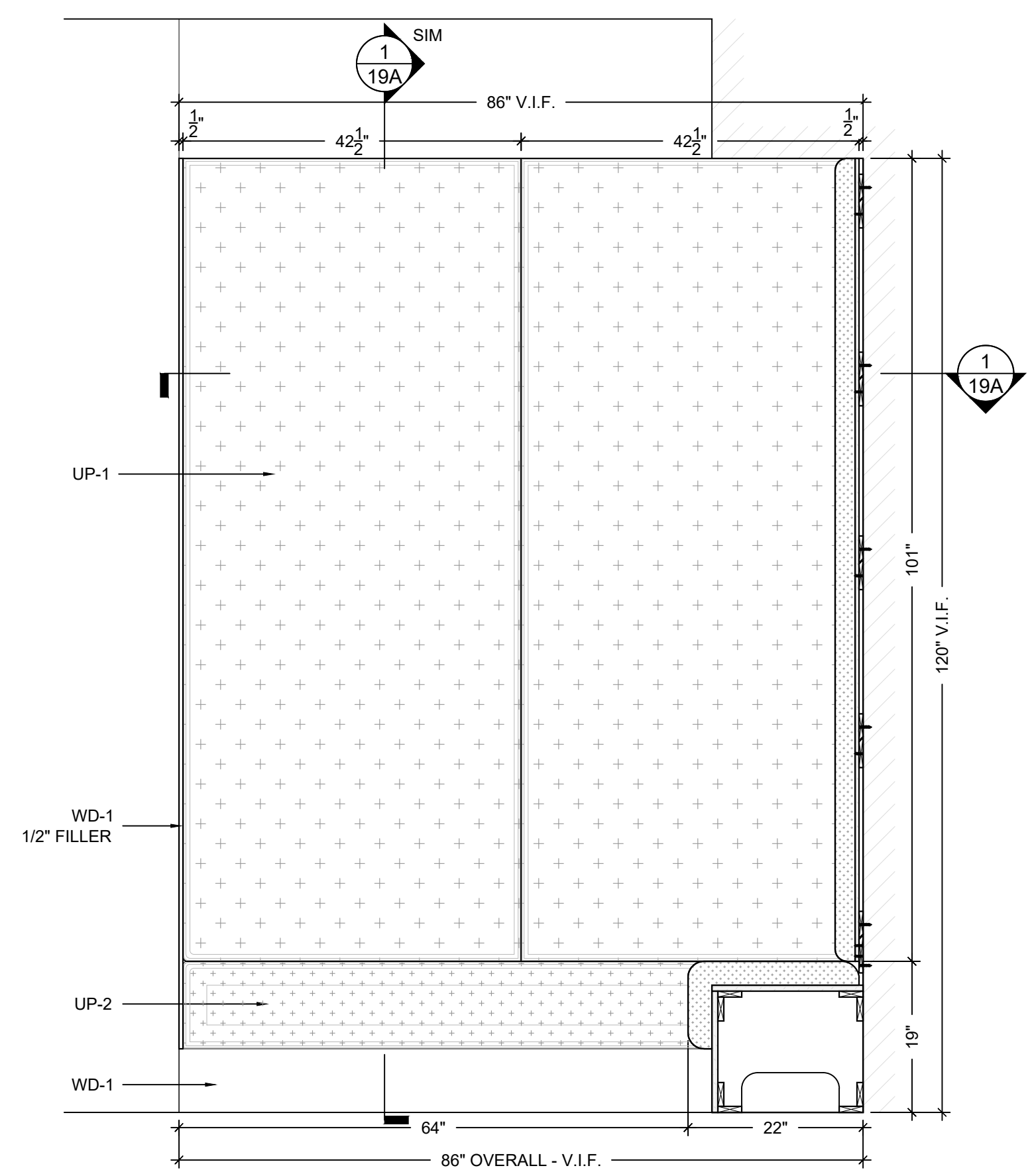
1
19A



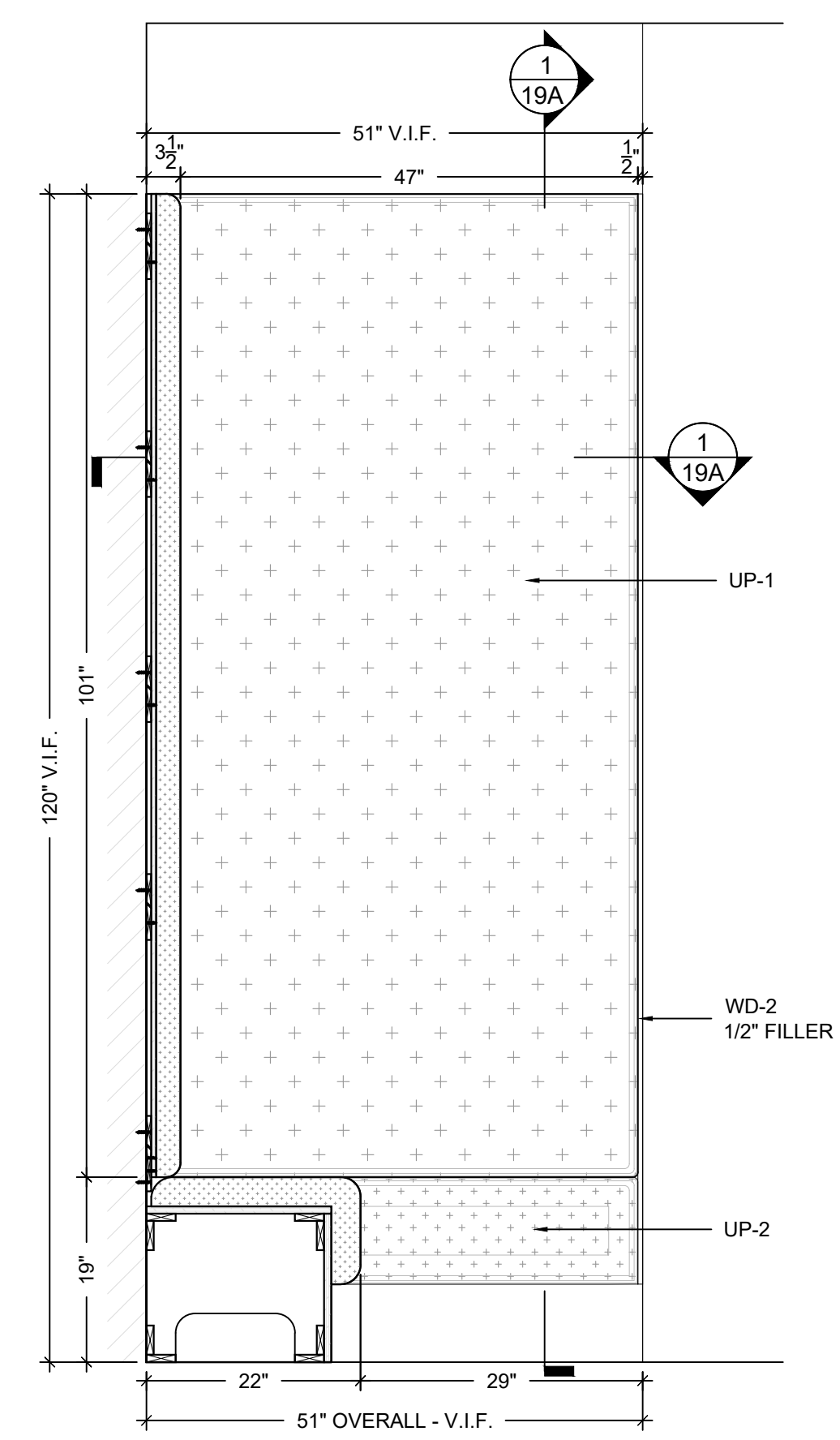
LP
19A LOCATION PLAN - FLOOR PLAN
SCALE: 1/8" = 1'-0" ARCH.REF: 1/A-2.0



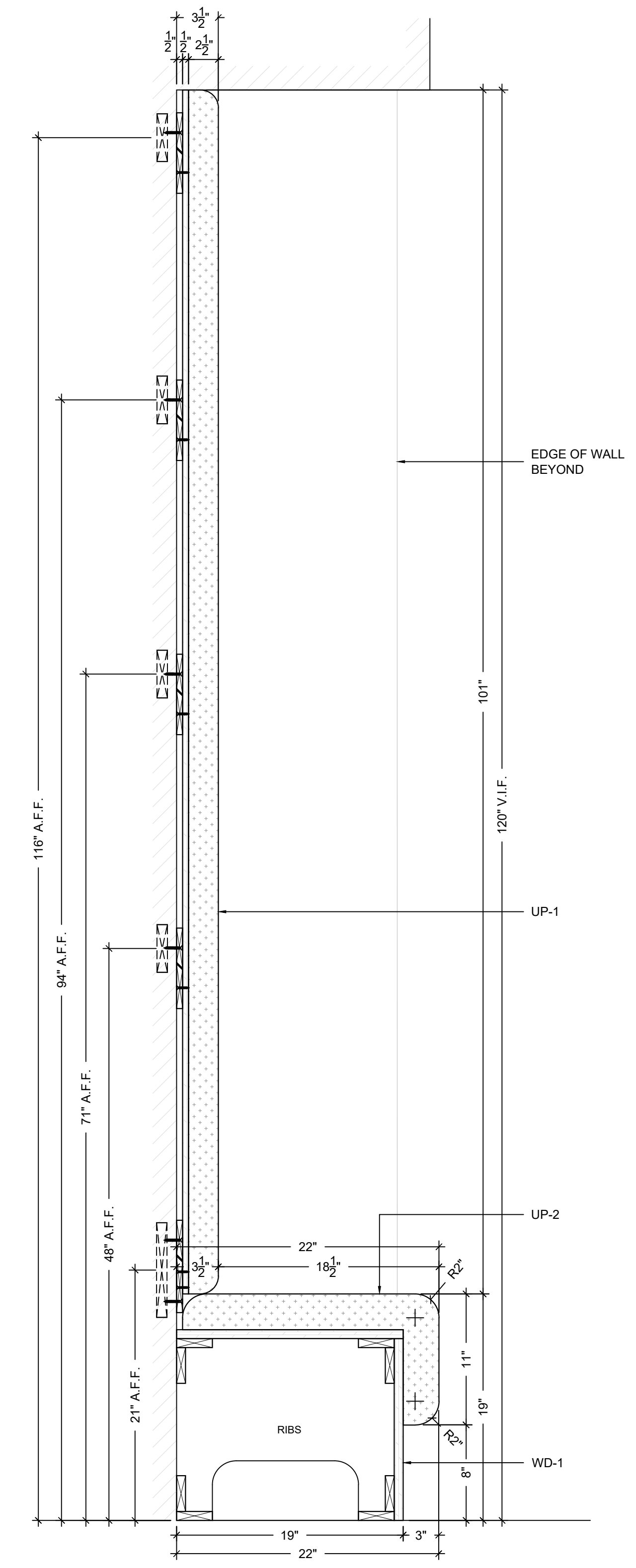
1
19A PLAN VIEW - BENCH
SCALE: 3/4" = 1'-0" ARCH.REF:1/A-2.0



2
19A ELEVATION - BENCH
SCALE: 3/4" = 1'-0" ARCH.REF:11/A-6.1



3
19A ELEVATION - BENCH
SCALE: 3/4" = 1'-0" ARCH.REF: NONE



A
19A SECTION
SCALE: 1-1/2" = 1'-0" ARCH.REF: 5/A-8.1

PROJECT:

ARCHITECT / DESIGNER:

CONTRACTOR:

LOCATION

BRUSHING 217

ITEM

BENCH

PROJECT MANAGER:
XXX

DRAWN BY:
HD

SCALE:
AS NOTED

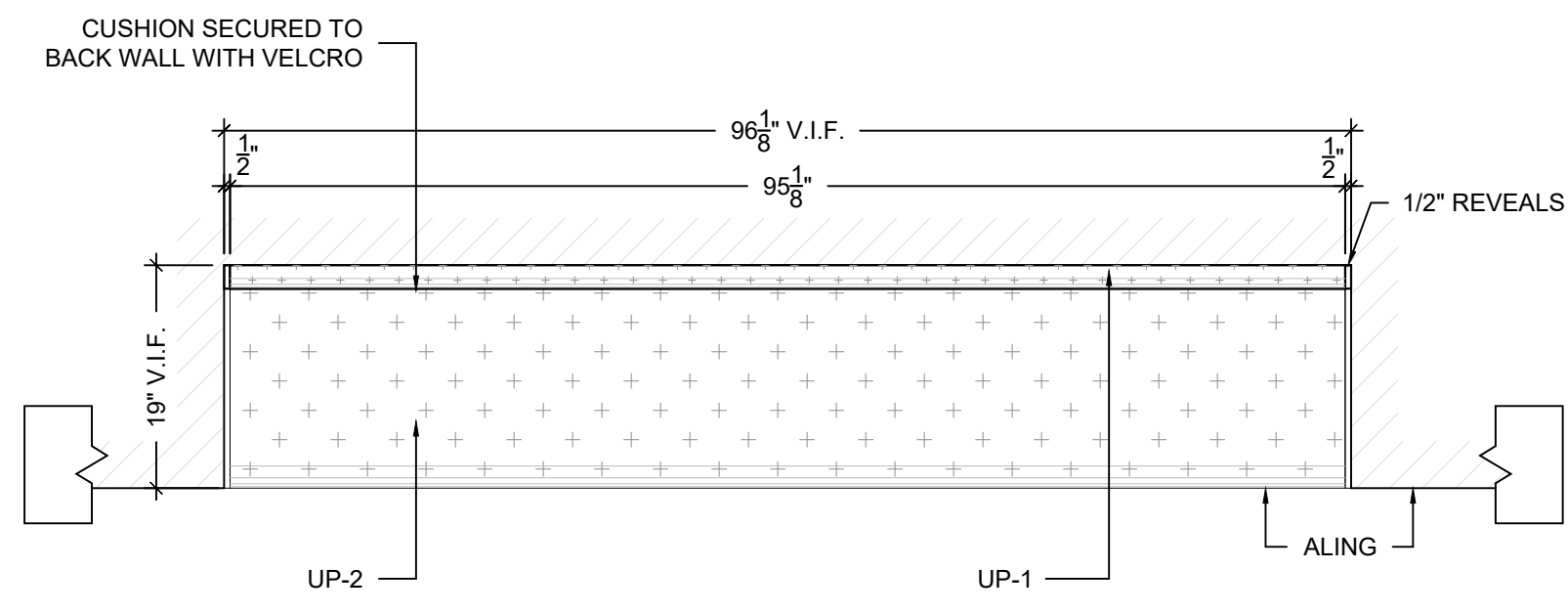
DATE DRAWN:
07/09/2020

REVISIONS:
#1: 10/08/2020
#2:
#3:
#4:
#5:
#6:
#7:
#8:

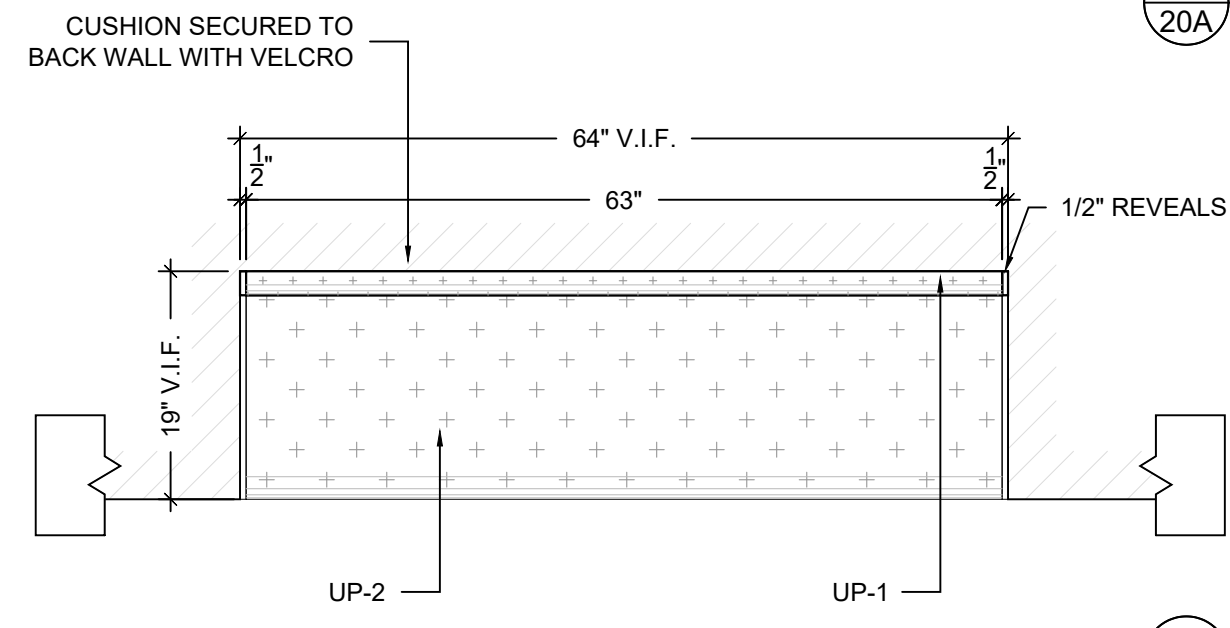
JOB NUMBER:
XXX

SHEET NUMBER:

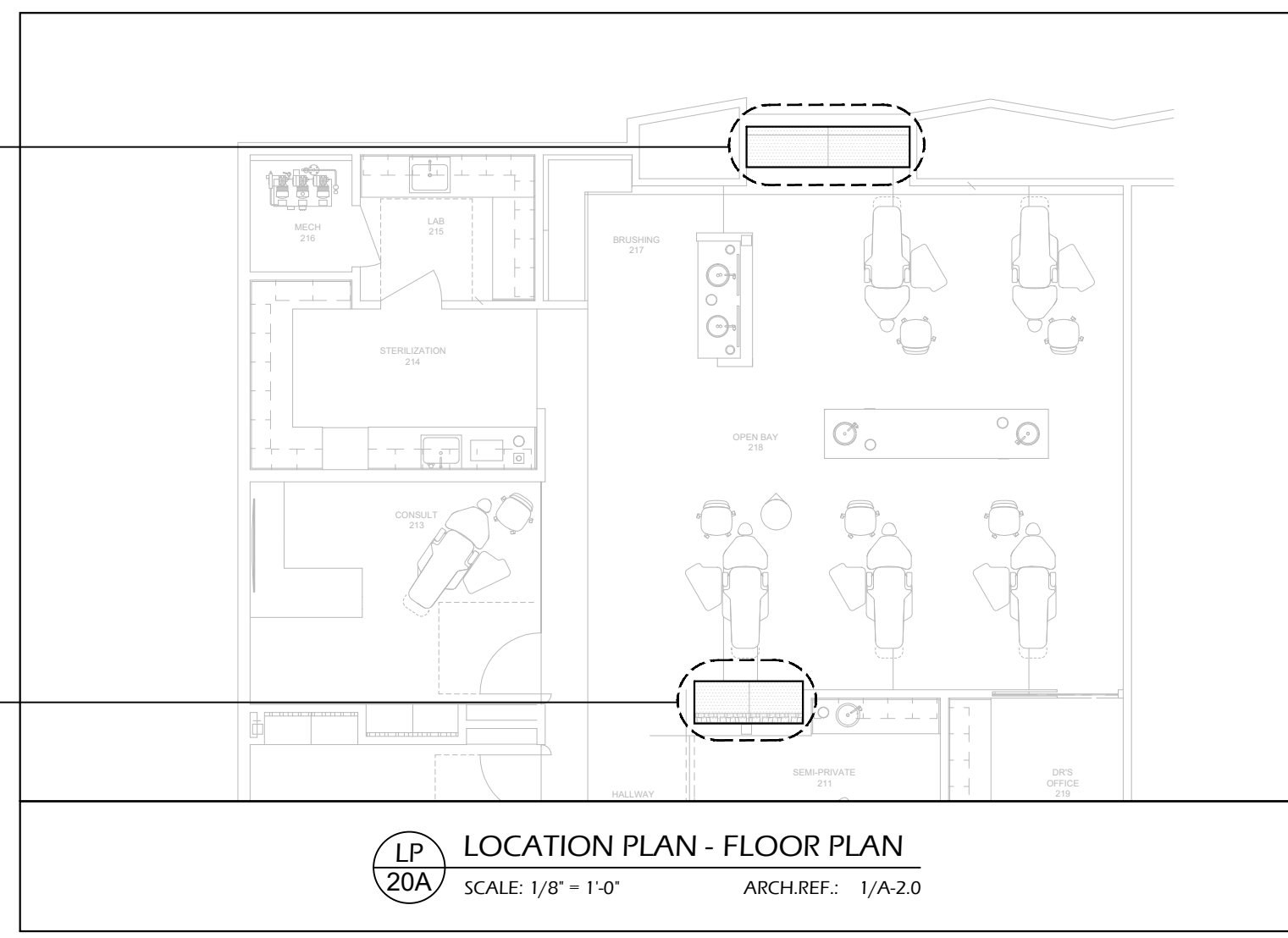
19A



1 PLAN VIEW - BENCH
SCALE: 3/4" = 1'-0" ARCH.REF.: 1/A-2.0

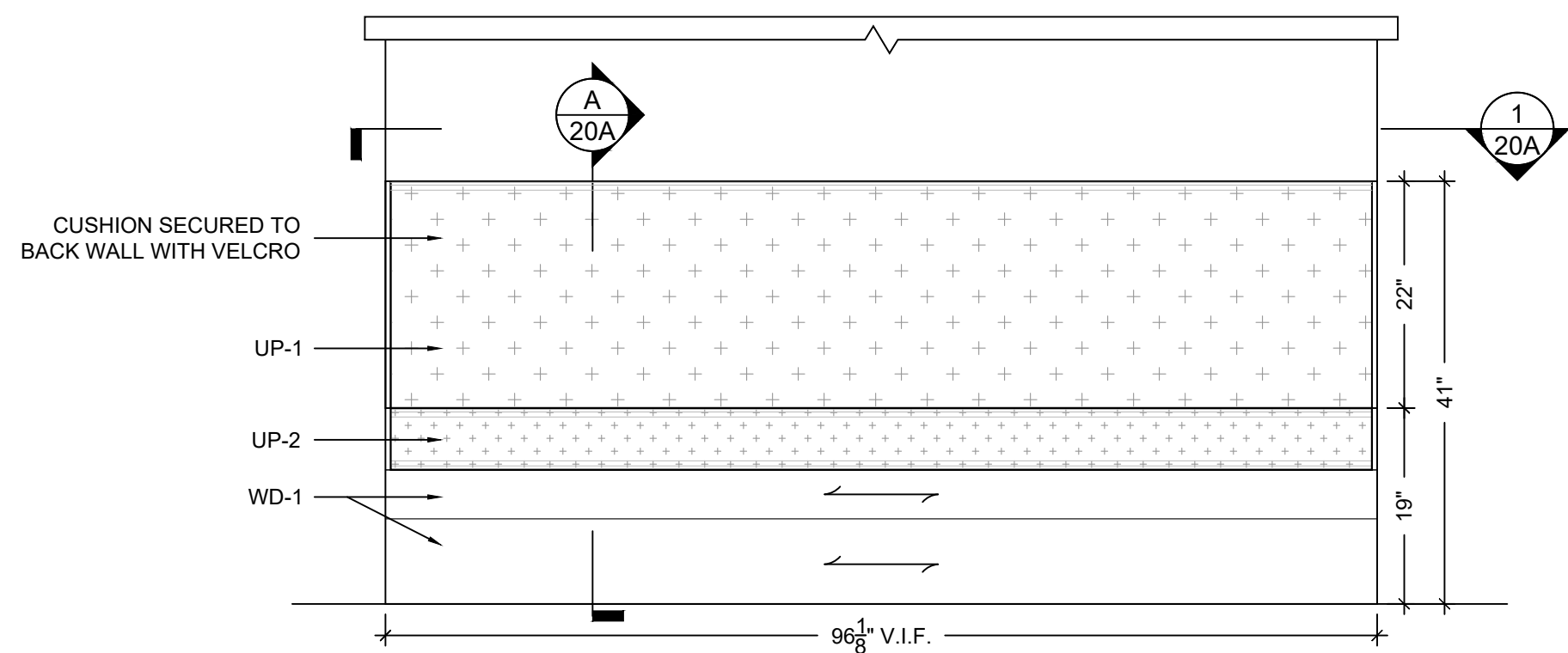


3 PLAN VIEW - BENCH
SCALE: 3/4" = 1'-0" ARCH.REF.: 1/A-2.0

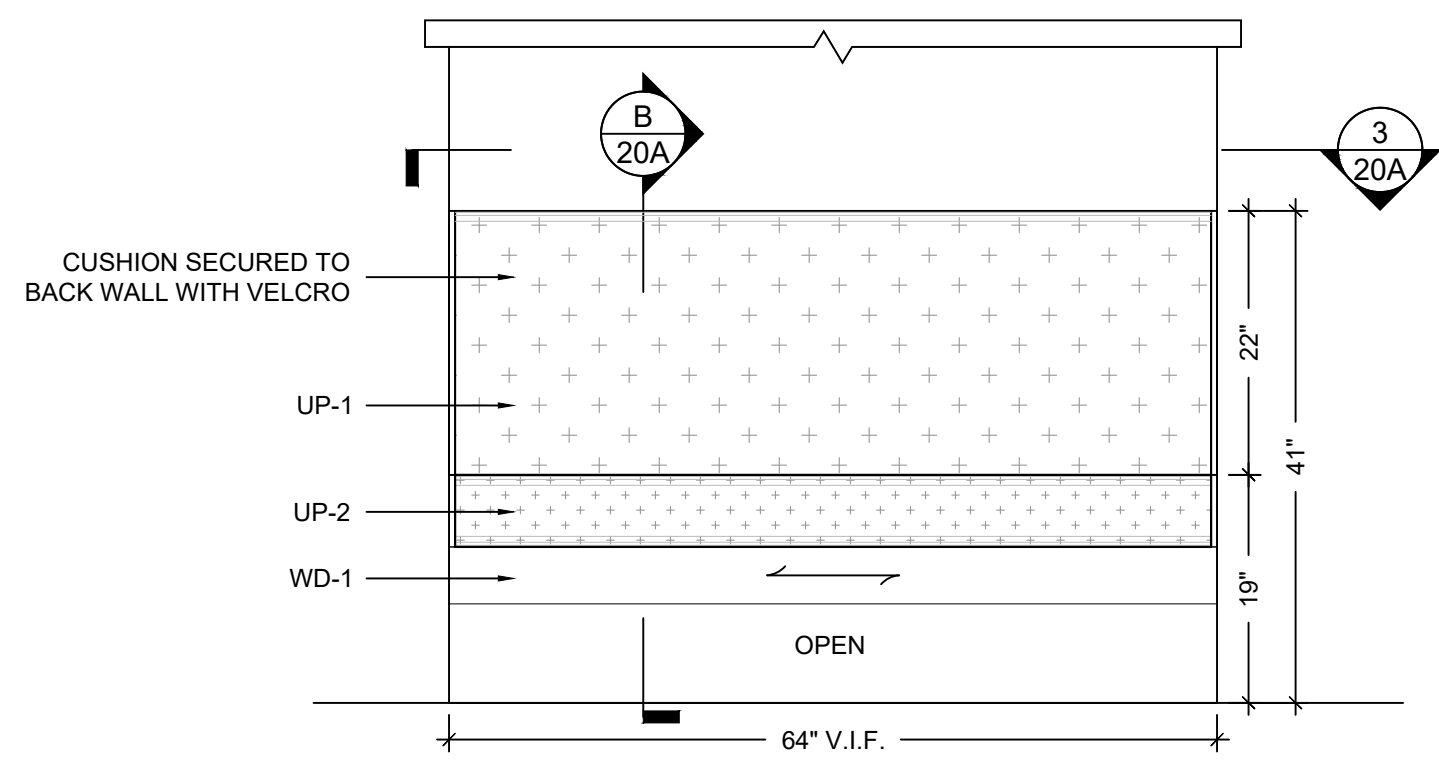


LP LOCATION PLAN - FLOOR PLAN
SCALE: 1/8" = 1'-0" ARCH.REF.: 1/A-2.0

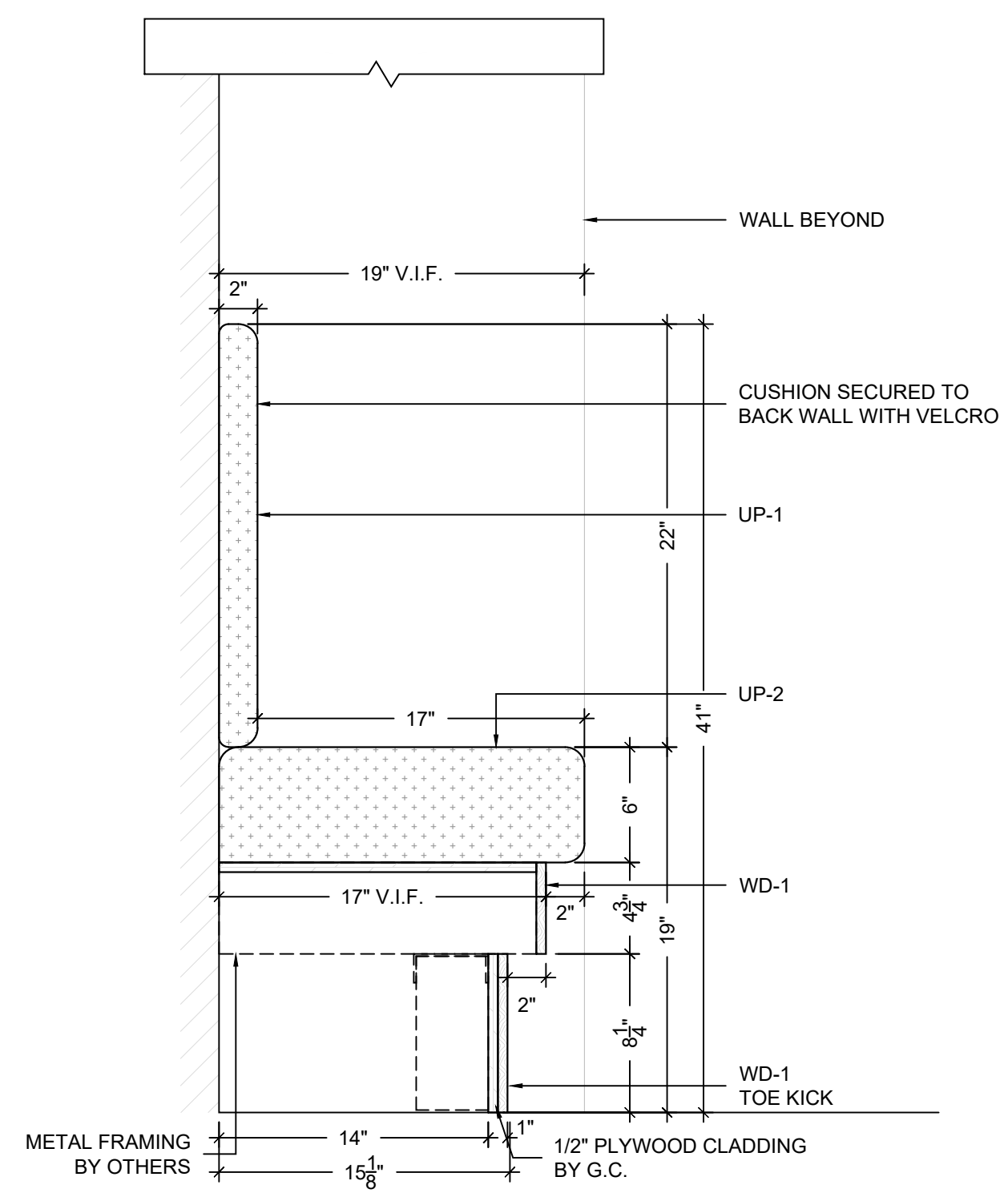
FINISH INDEX	
UP-1	FAB-2 MAHARAM ARCADE - 466447 004 CRUISE
UP-2	FAB-1 MAHARAM BUFFET - 466492 006 GENERATE
WD-1	BLEACHED WHITE OAK TO MATCH ARCHITET'S SAMPLE - MATTE POLYURETHANE
HARDWARE	
H-7.2	CONCEALED BRACKET A&M HARDWARE - C15 - 2.0



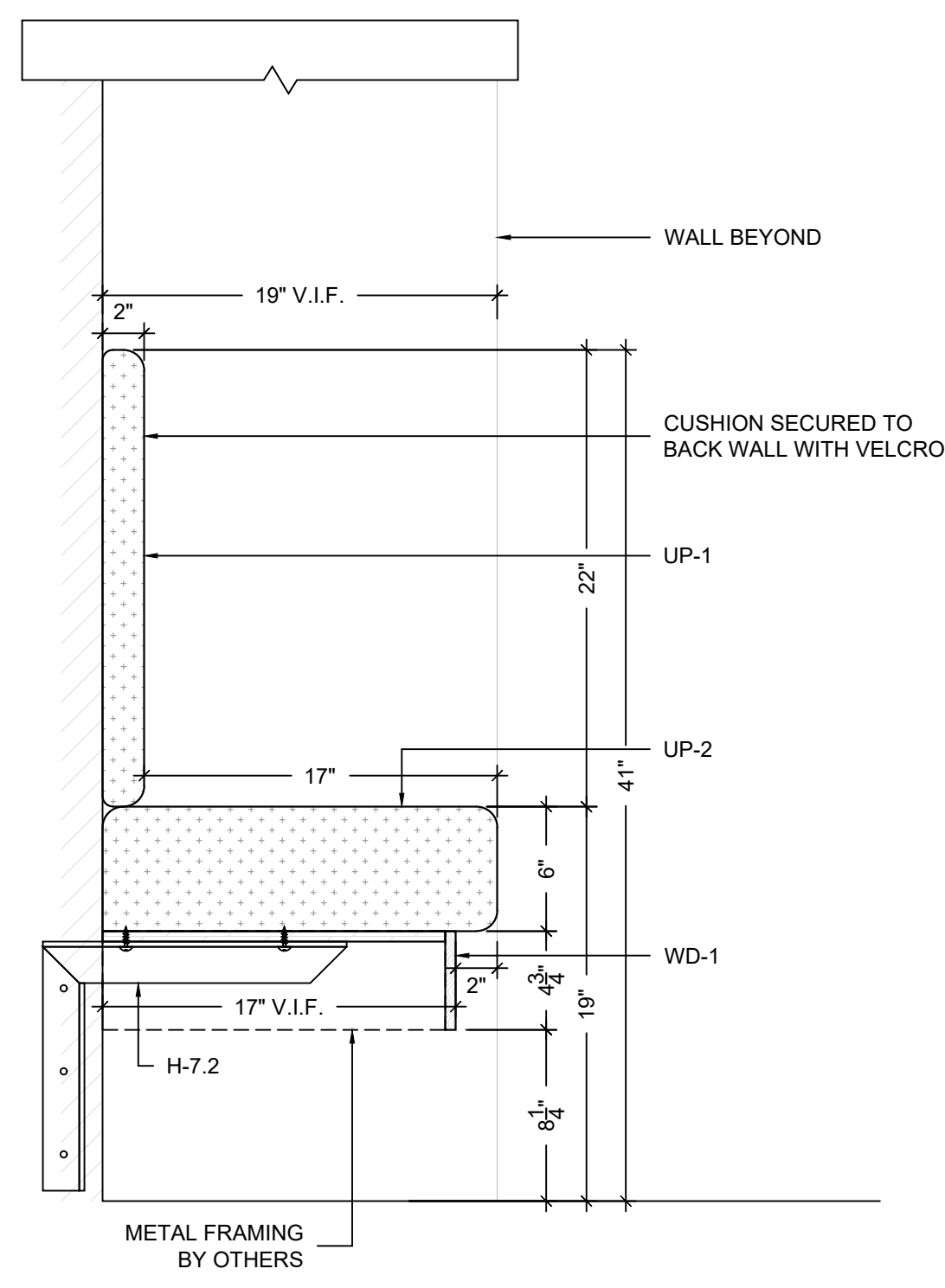
2 ELEVATION - BENCH
SCALE: 3/4" = 1'-0" ARCH.REF.: 2/A-6.2



4 ELEVATION - BENCH
SCALE: 3/4" = 1'-0" ARCH.REF.: 4/A-6.2



A SECTION
SCALE: 1-1/2" = 1'-0" ARCH.REF.: 8/A-8.1



B SECTION
SCALE: 1-1/2" = 1'-0" ARCH.REF.: 8/A-8.1

PROJECT:

ARCHITECT / DESIGNER:

CONTRACTOR:

LOCATION

OPEN BAY

ITEM

BENCH

PROJECT MANAGER:

DRAWN BY:

XXX

HD

SCALE:

DATE DRAWN:

AS NOTED

07/09/2020

REVISIONS:

JOB NUMBER:

#1: 10/08/2020

XXX

#2:

SHEET NUMBER:

#3:

20A

#4:

#5:

#6:

#7:

#8: