

FINISHES

EXTERIOR EXPOSED:

FL-02 PLASTIC LAMINATE - FORMICA - 933-58 MISSION WHITE, MATTE FINISH

INTERIOR EXPOSED:

BY OTHER

WOOD PROFILES

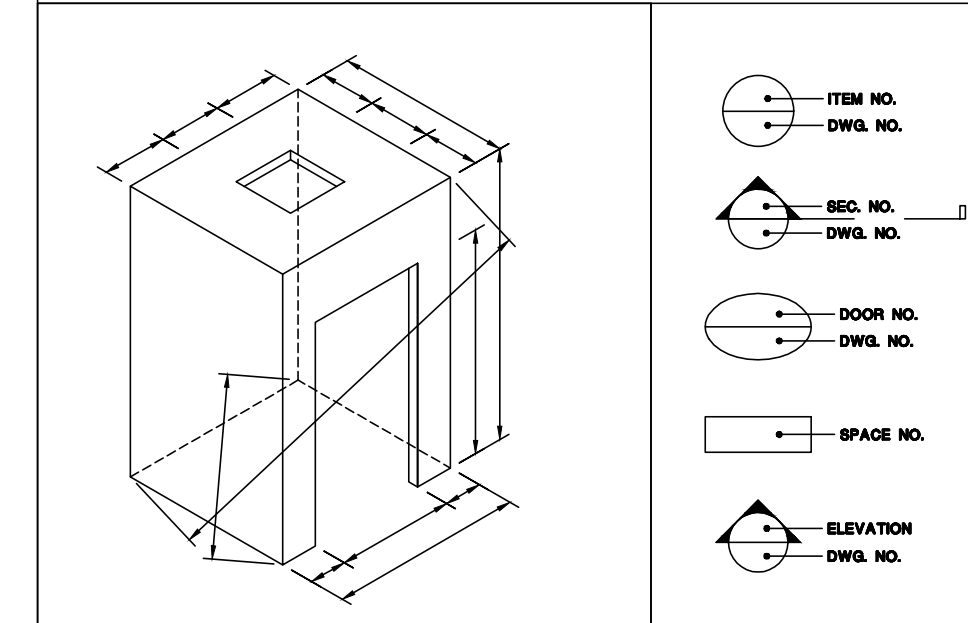
PLEASE NOTE:

WOOD PRODUCTS MUST NOT BE SUBJECTED TO ABNORMAL TEMPERATURES AND MOISTURE (AMI-T-100). HEAT AND HUMIDITY CONTROLS MUST BE OPERATIONAL AND STABILIZED PRIOR TO INSTALLATION

HARDWARE

DESCRIPTION	MANUFACTURER	PRODUCT NUMBER	FINISH	REQ'D
H-7.2 - SHELF BRACKET	K&V	KVM-187A1014	ANODROME	
H-7.3 - HEAVY WEIGHT	KV 255	FILASTER 30'	BRIGHT ZINC	
H-6.0 - 3' GROMMET		429.94.448	MATT NICKEL	

ELEVATOR SIZES



- LEGEND:**
- ITEM NO. DWG. NO.
 - △ SEC. NO. DWG. NO.
 - DOOR NO. DWG. NO.
 - ▭ SPACE NO.
 - ▲ ELEVATION DWG. NO.

ISSUES & REVISIONS

ISSUE	DATE	ISSUE NOTES

REV	DATE	REVISION NOTES	BY
1	11/18/19	REDLINES	HD

ARCHITECT: GENSLER

CONTRACTOR:

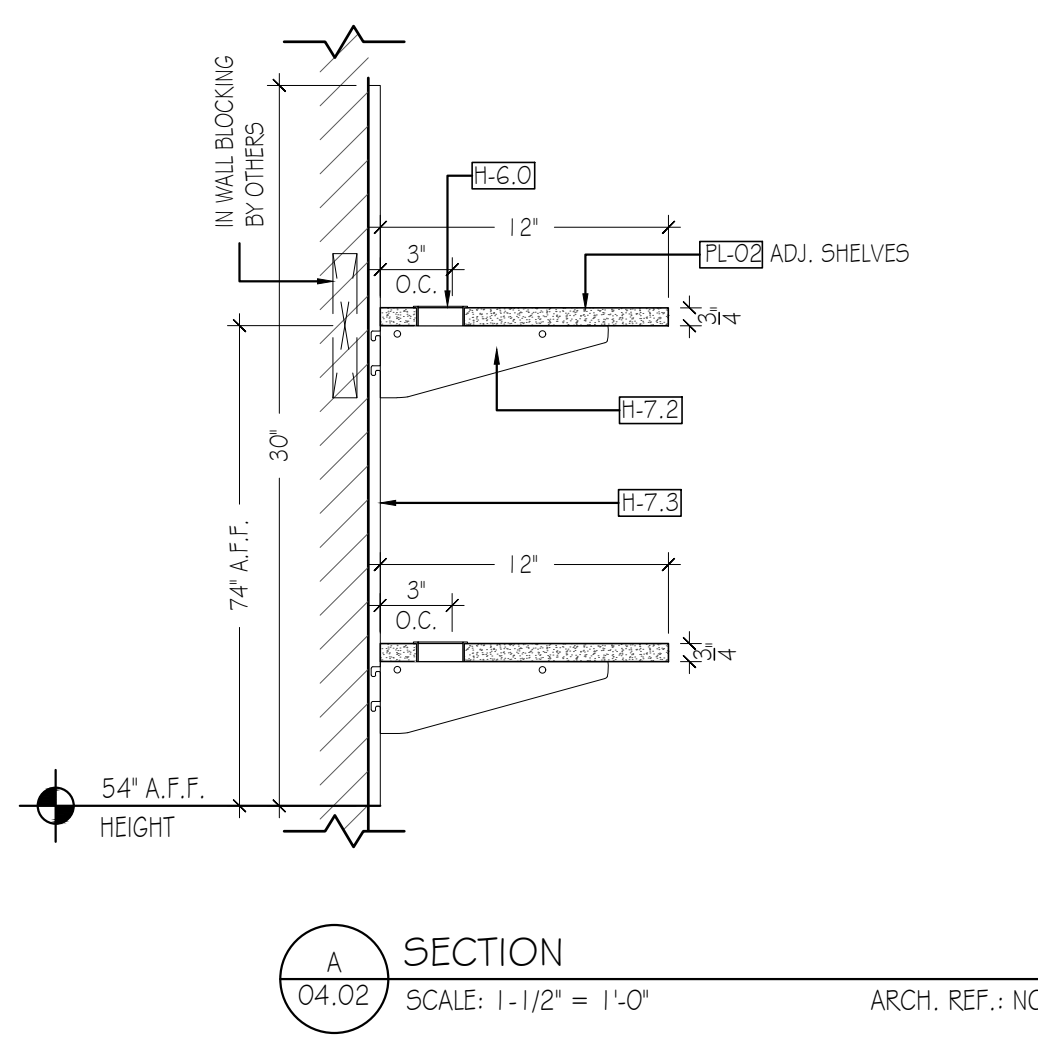
PROJECT:

New York, NY. 10022

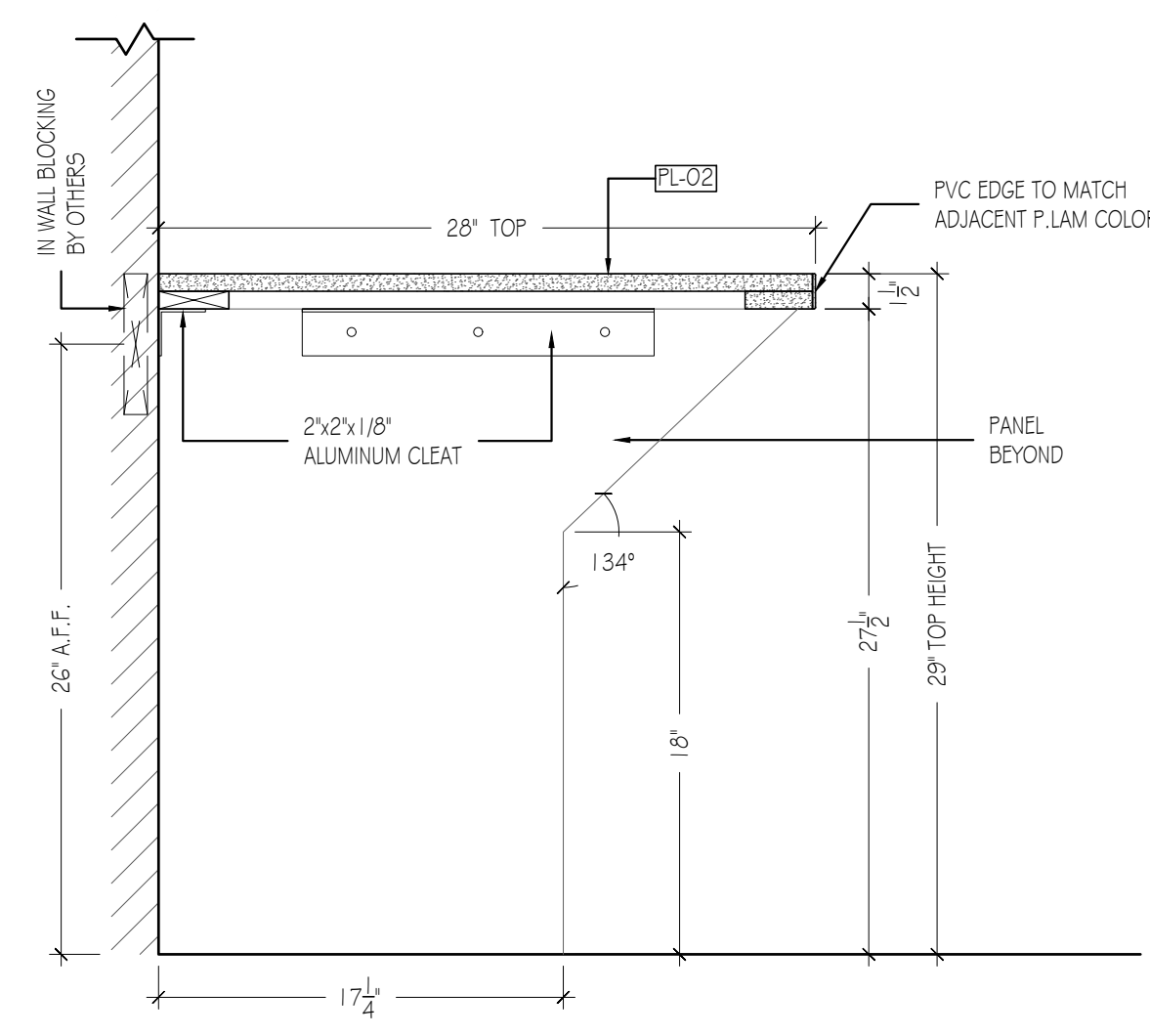
DRAWING TITLE:

LAB ROOM

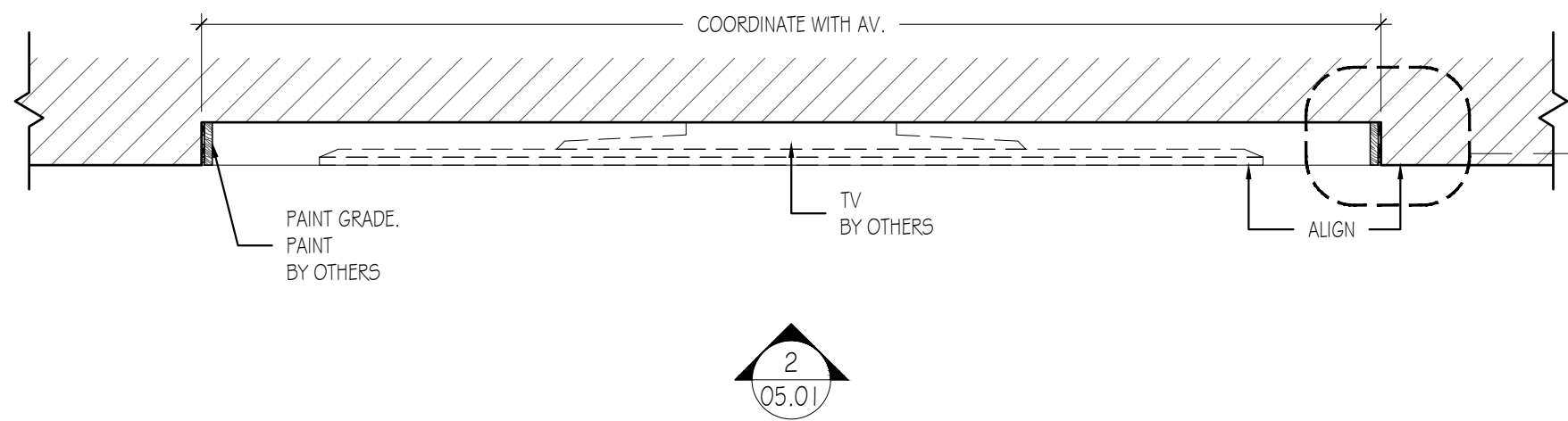
ITEM NO. 04	SPACE NO. 203	DWG. NO. 04.02
SCALE: AS NOTED	DRAWN BY: HD	DATE: 10-24-19
FLOOR NO. --	JOB NO. -----	SHEET 2 OF 2



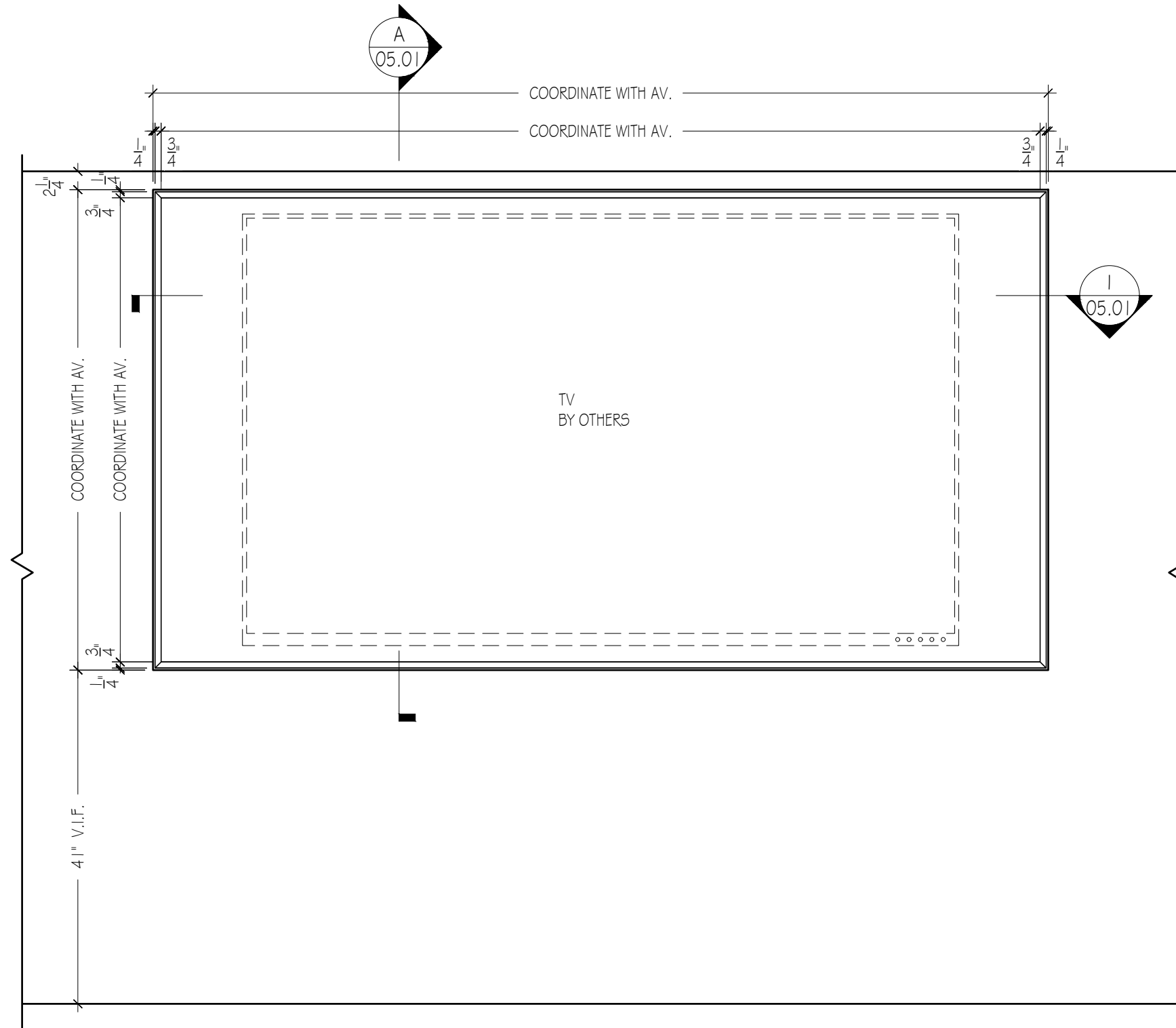
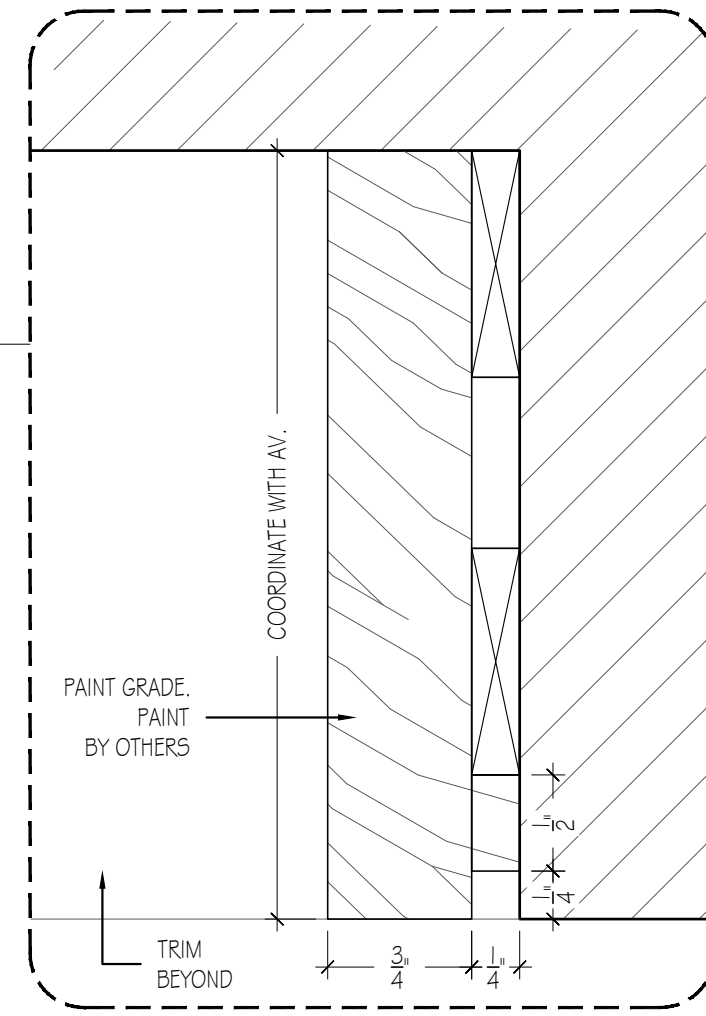
A SECTION
04.02 SCALE: 1-1/2" = 1'-0" ARCH. REF.: NONE



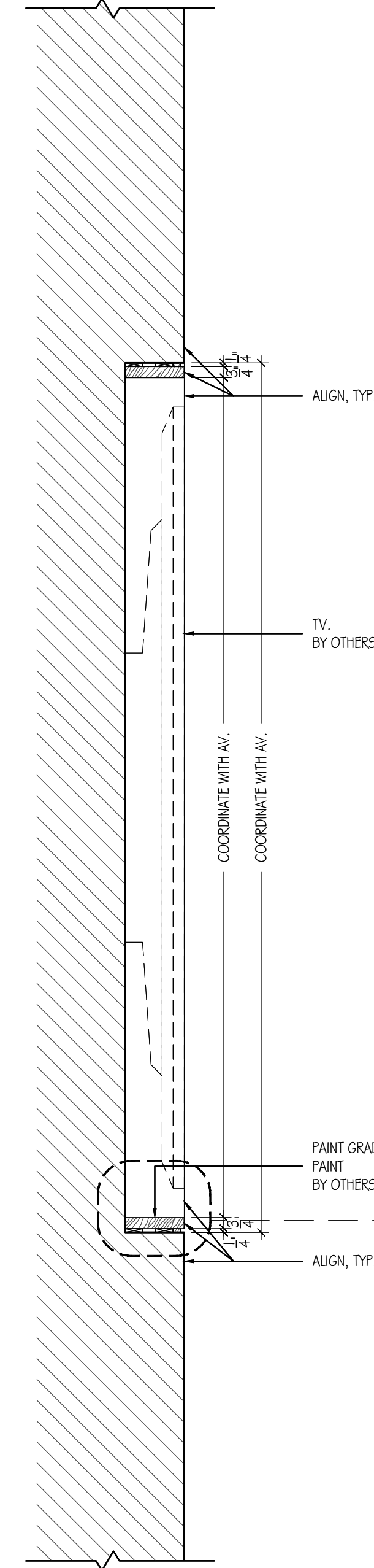
B SECTION
04.02 SCALE: 1-1/2" = 1'-0" ARCH. REF.: 4/A-961



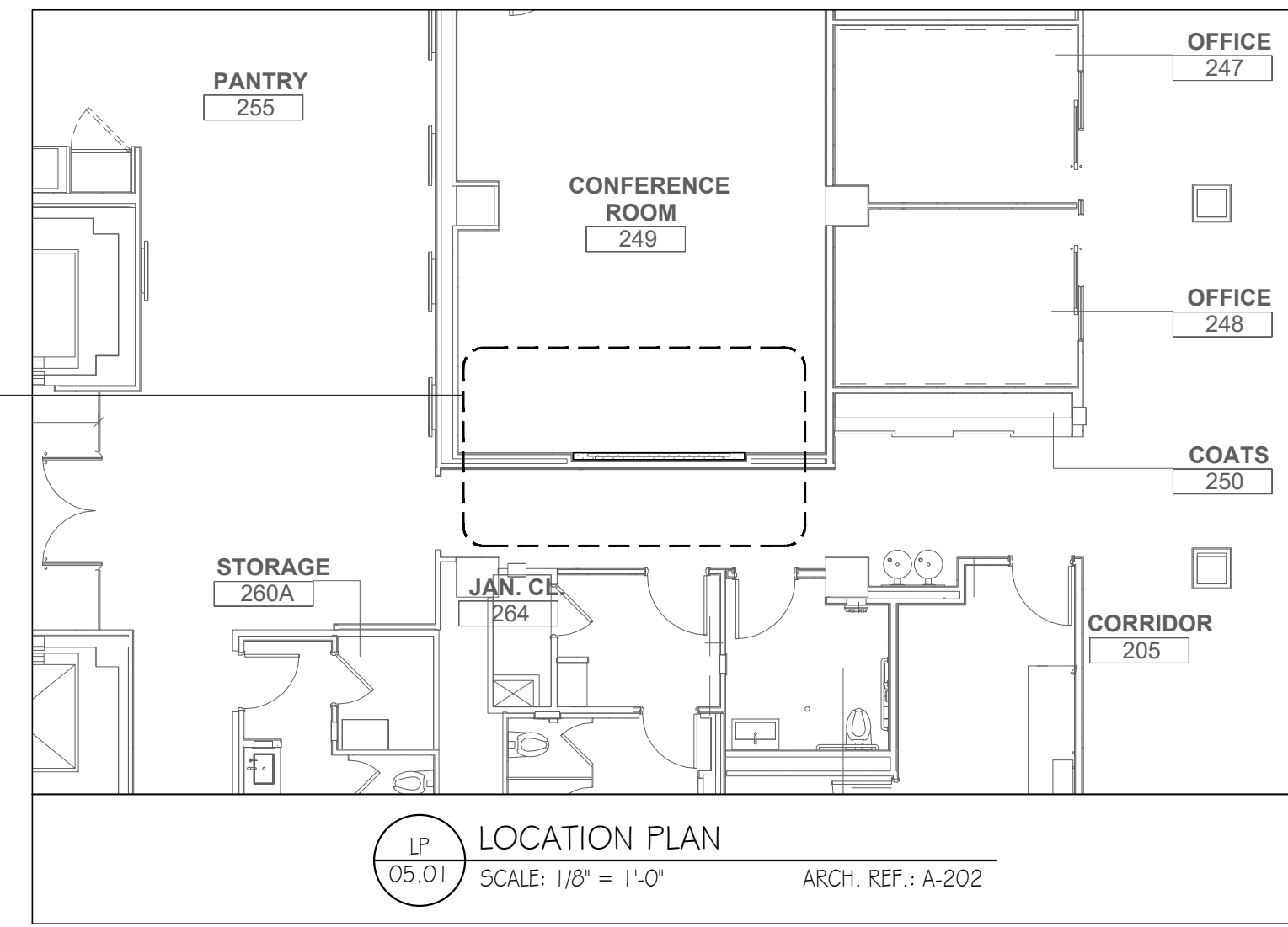
1 PLAN VIEW- CONFERENCE ROOM 249
SCALE: 3/4" = 1'-0" ARCH. REF.: A-202



2 FRONT ELEVATION- CONFERENCE ROOM 249
SCALE: 3/4" = 1'-0" ARCH. REF.: 7/A-804



A SECTION
SCALE: 1-1/2" = 1'-0" ARCH. REF.: 4/A-963



LP LOCATION PLAN
SCALE: 1/8" = 1'-0" ARCH. REF.: A-202

FINISHES

EXTERIOR EXPOSED:

INTERIOR EXPOSED:

BY OTHER

WOOD PROFILES

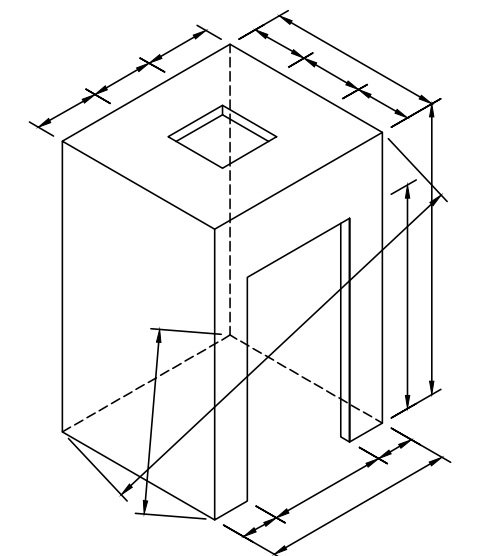
PLEASE NOTE:

WOOD PRODUCTS MUST NOT BE SUBJECTED TO ABNORMAL TEMPERATURES AND MOISTURE (AMI-T-100). HEAT AND HUMIDITY CONTROLS MUST BE OPERATIONAL AND STABILIZED PRIOR TO INSTALLATION

HARDWARE

DESCRIPTION	MANUFACTURER	PRODUCT NUMBER	FINISH	REQ'D

ELEVATOR SIZES



LEGEND:

- ITEM NO. DWG. NO.
- SEC. NO. DWG. NO.
- DOOR NO. DWG. NO.
- SPACE NO.
- ELEVATION DWG. NO.

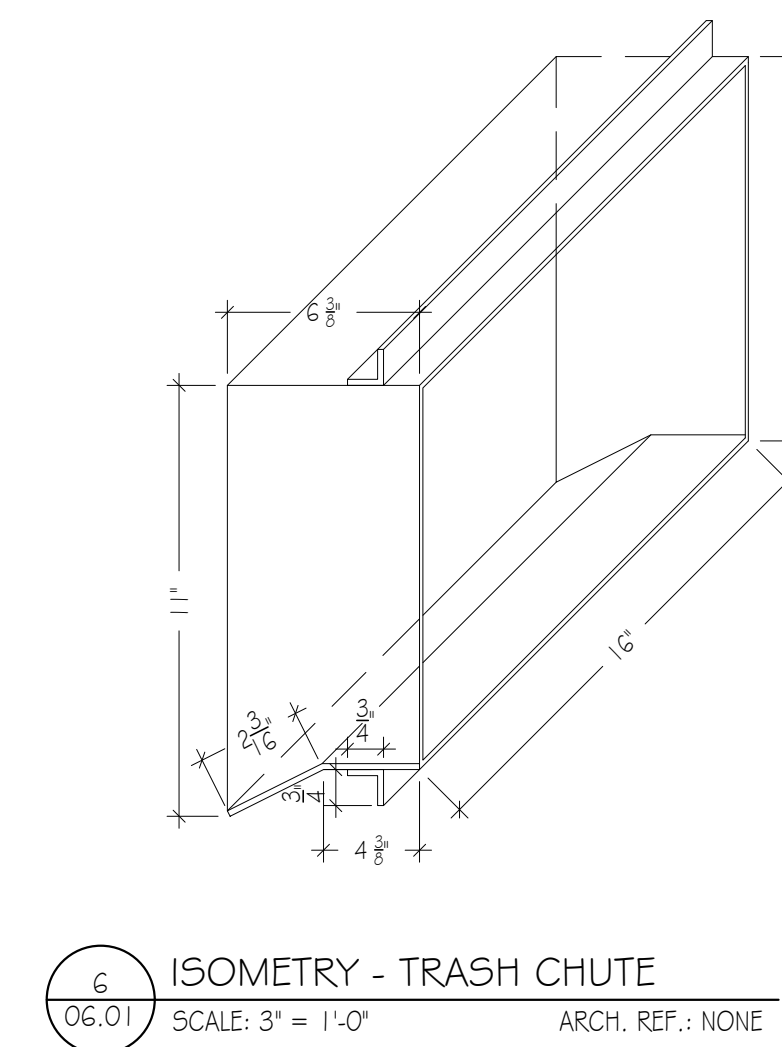
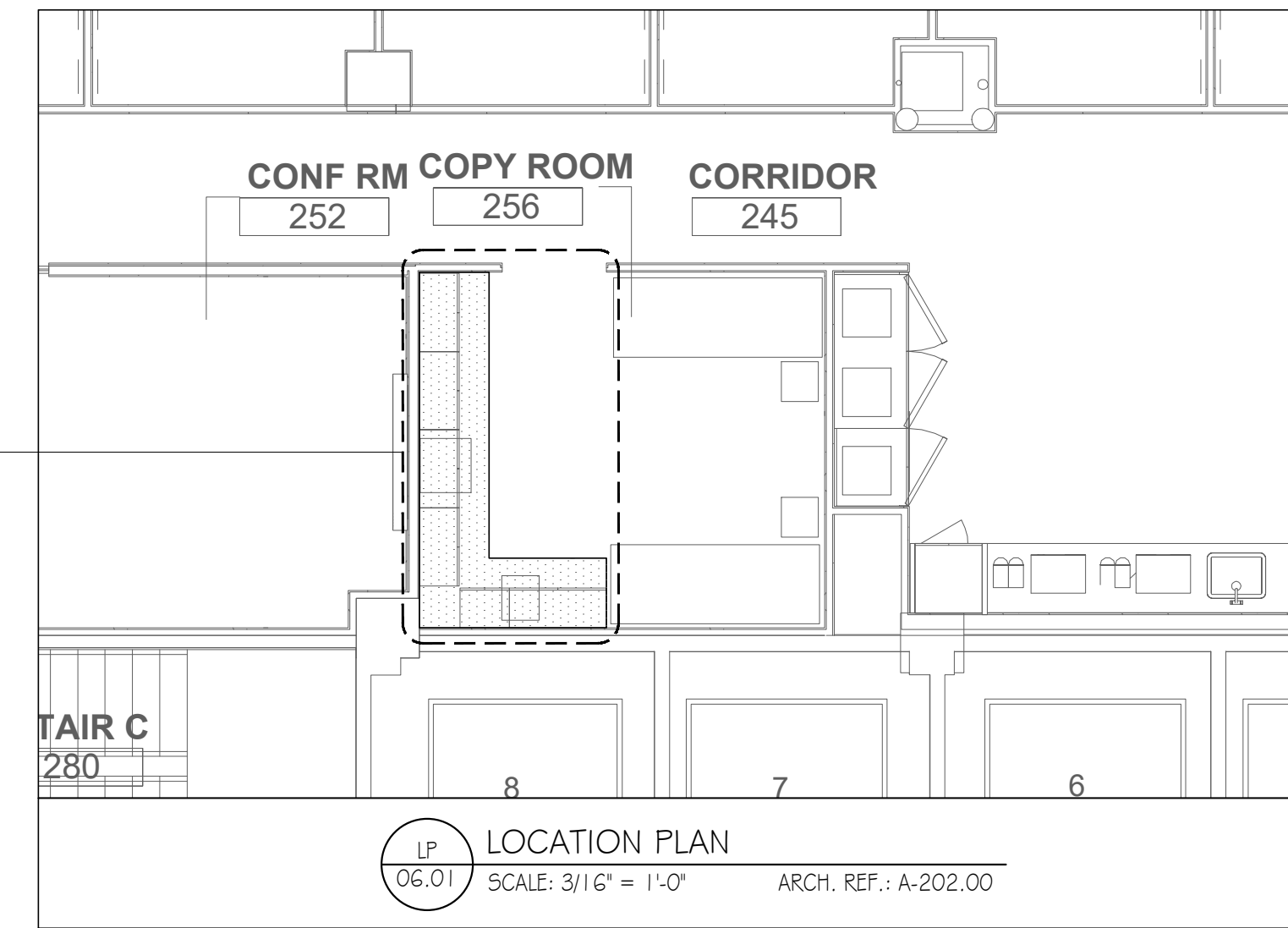
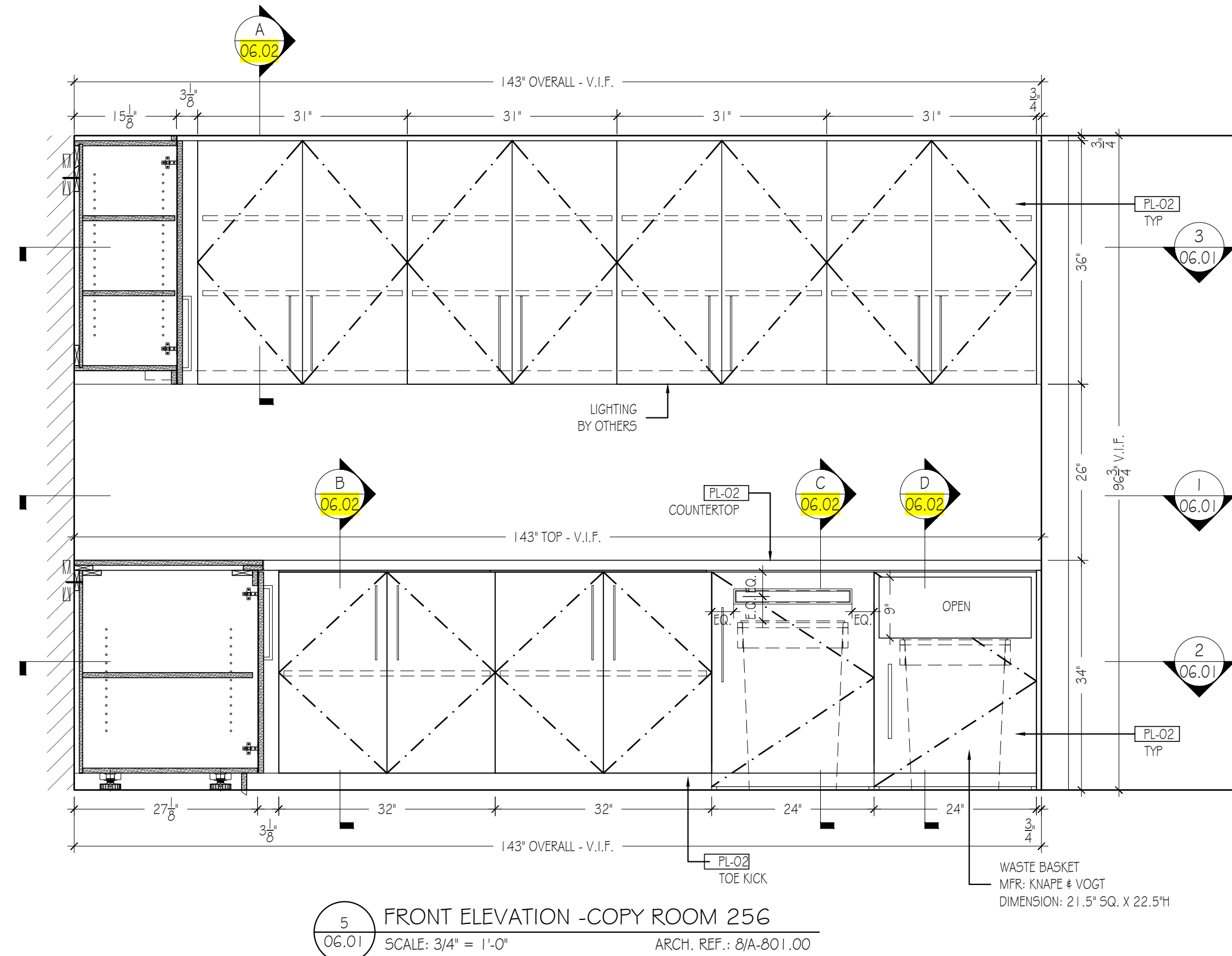
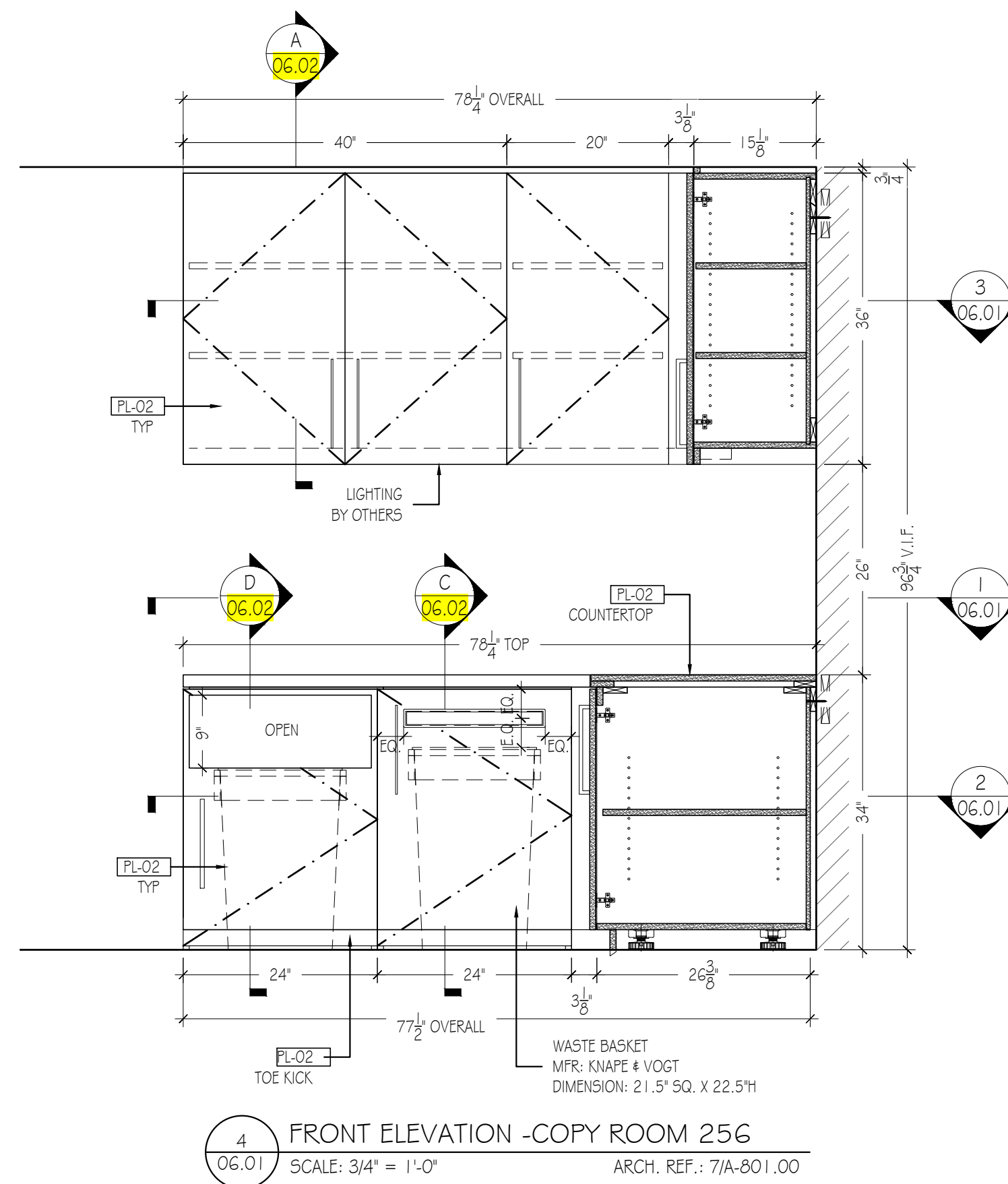
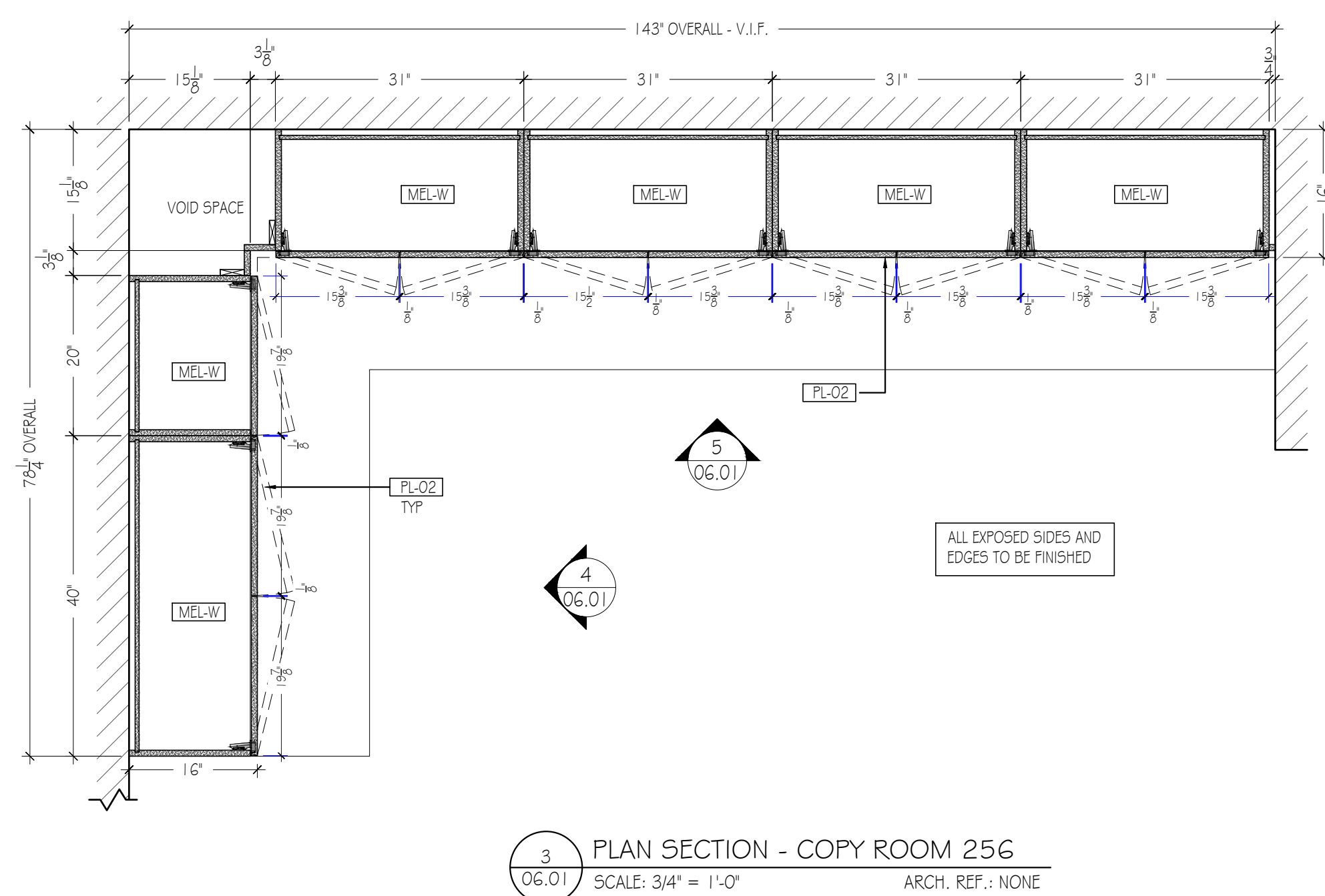
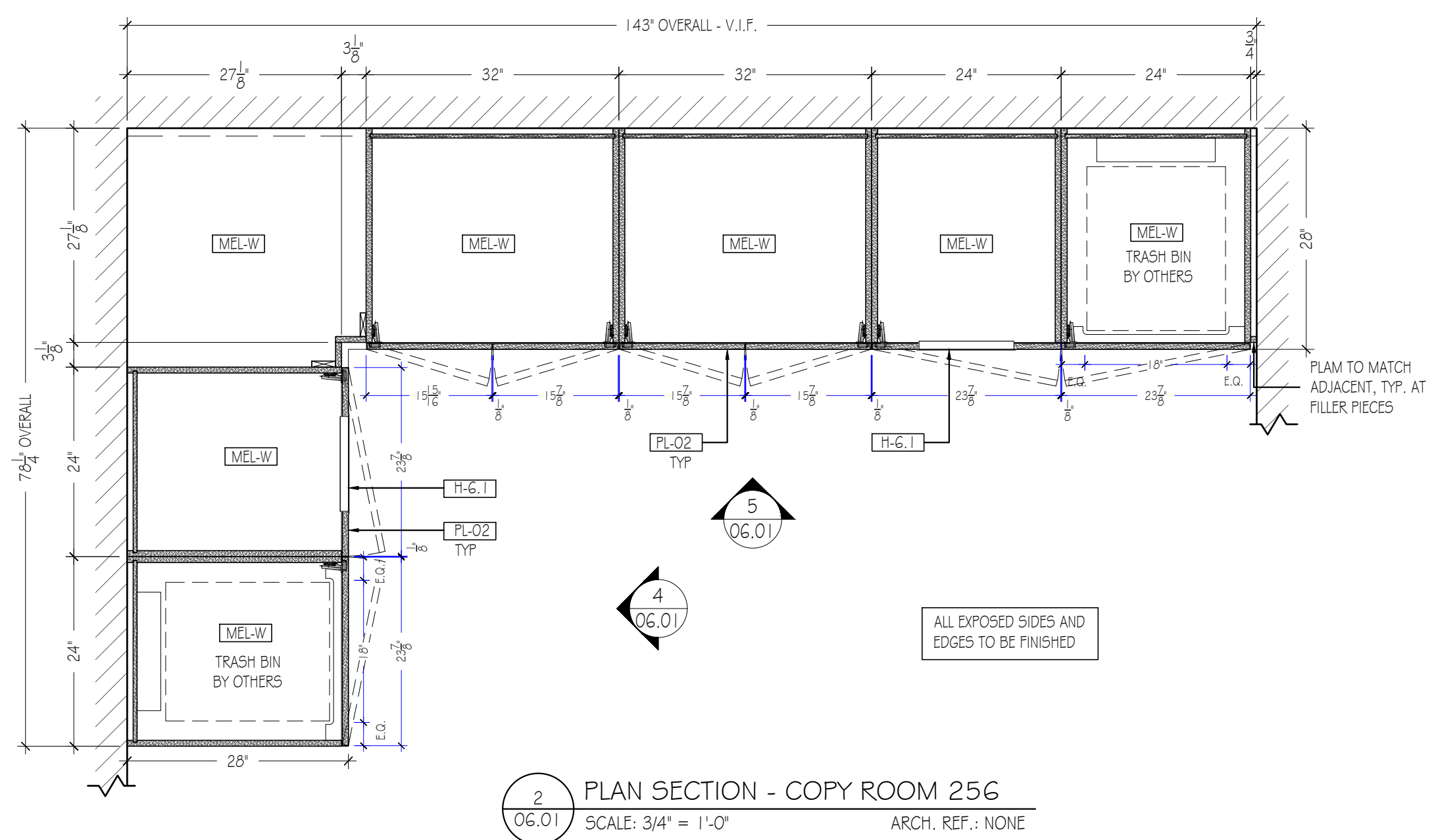
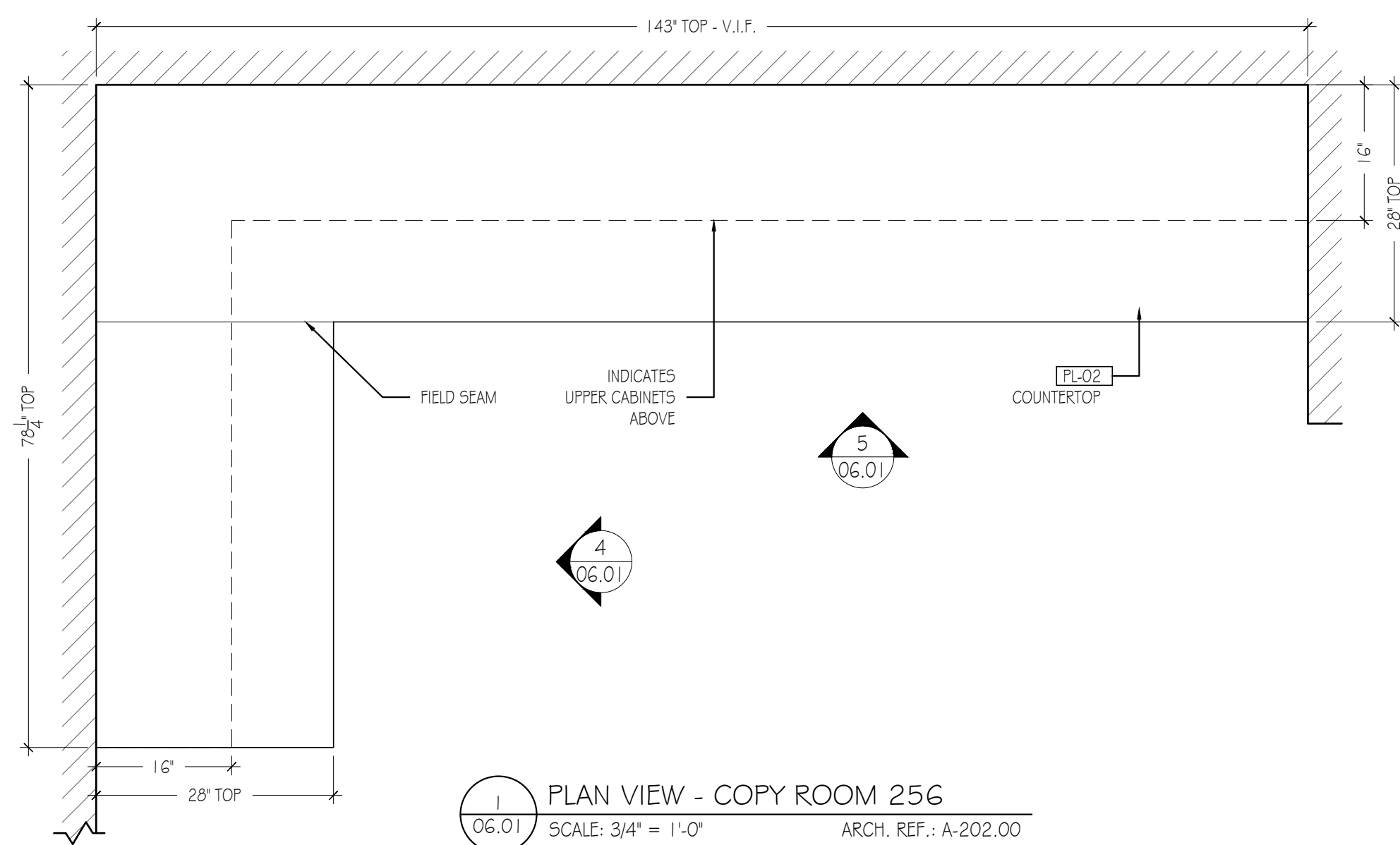
ISSUES & REVISIONS

ISSUE	DATE	ISSUE NOTES

ARCHITECT: GENSLER
CONTRACTOR:
PROJECT:
New York, NY. 10022

DRAWING TITLE:
CONFERENCE ROOM

ITEM NO. 05	SPACE NO. 249	DWG. NO. 05.01
SCALE: AS NOTED	DRAWN BY: HD	DATE: 10-24-19
FLOOR NO. --	JOB NO. -----	SHEET <u> </u> OF <u> </u>



FINISHES

EXTERIOR EXPOSED:
FL-02 PLASTIC LAMINATE - FORMICA - 933-58 MISSION WHITE, MATTE FINISH

INTERIOR EXPOSED:
MEL-W WHITE MELAMINE

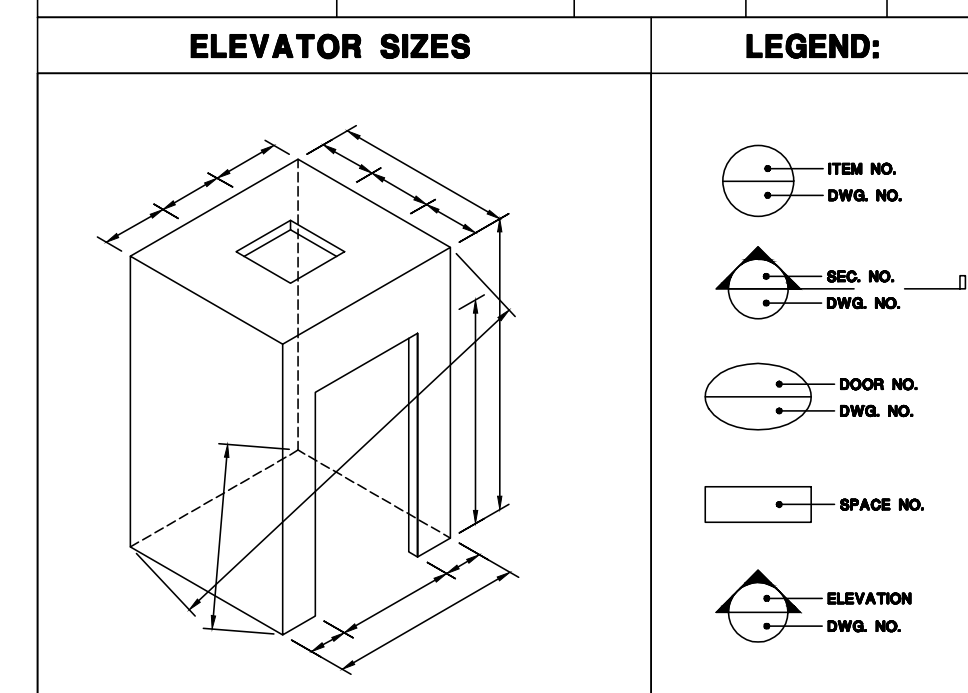
BY OTHER

WOOD PROFILES

PLEASE NOTE:
WOOD PRODUCTS MUST NOT BE SUBJECTED TO ABNORMAL TEMPERATURES AND MOISTURE (AMI-T-100). HEAT AND HUMIDITY CONTROLS MUST BE OPERATIONAL AND STABILIZED PRIOR TO INSTALLATION

HARDWARE

DESCRIPTION	MANUFACTURER	PRODUCT NUMBER	FINISH	REQ'D
H-1.0 - HINGE	BLUE			
H-2.0 - PULL	DOUG MOCKETT	DP 148B/C	SATIN NICKEL	
H-4.0 - SHELF PINS	KNAPE & VOGT	KV 332 ANO	ANODIZED	
H-6.1 - PAPER SLOT GROMMET	DOUG MOCKETT	CP1	GRAY	
H-10.0 - PLASTIC BUMPER				
H-11.0		TRASH CHUTE		



ISSUES & REVISIONS

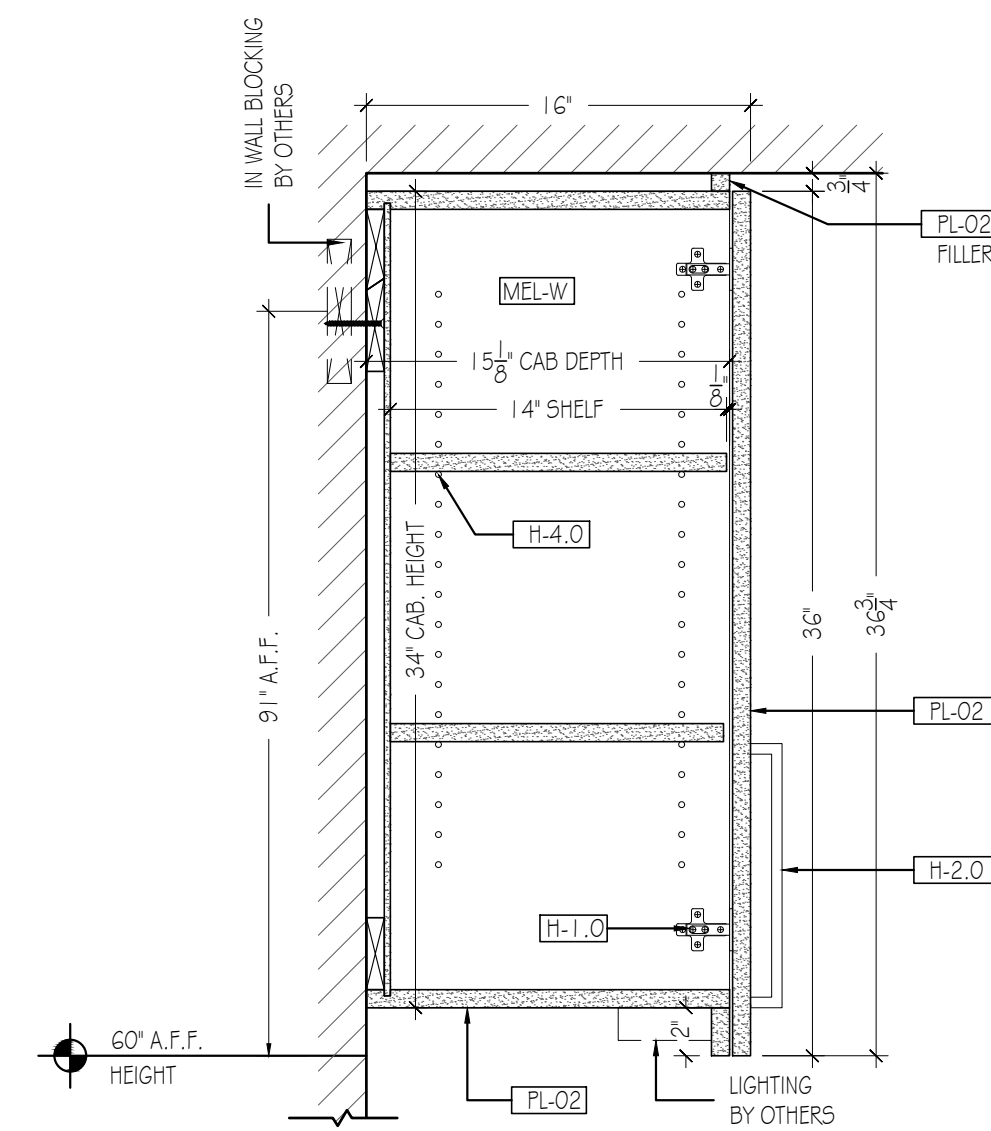
ISSUE	DATE	ISSUE NOTES

REV	DATE	REVISION NOTES	BY
1	11/18/19	REDLINES	HD

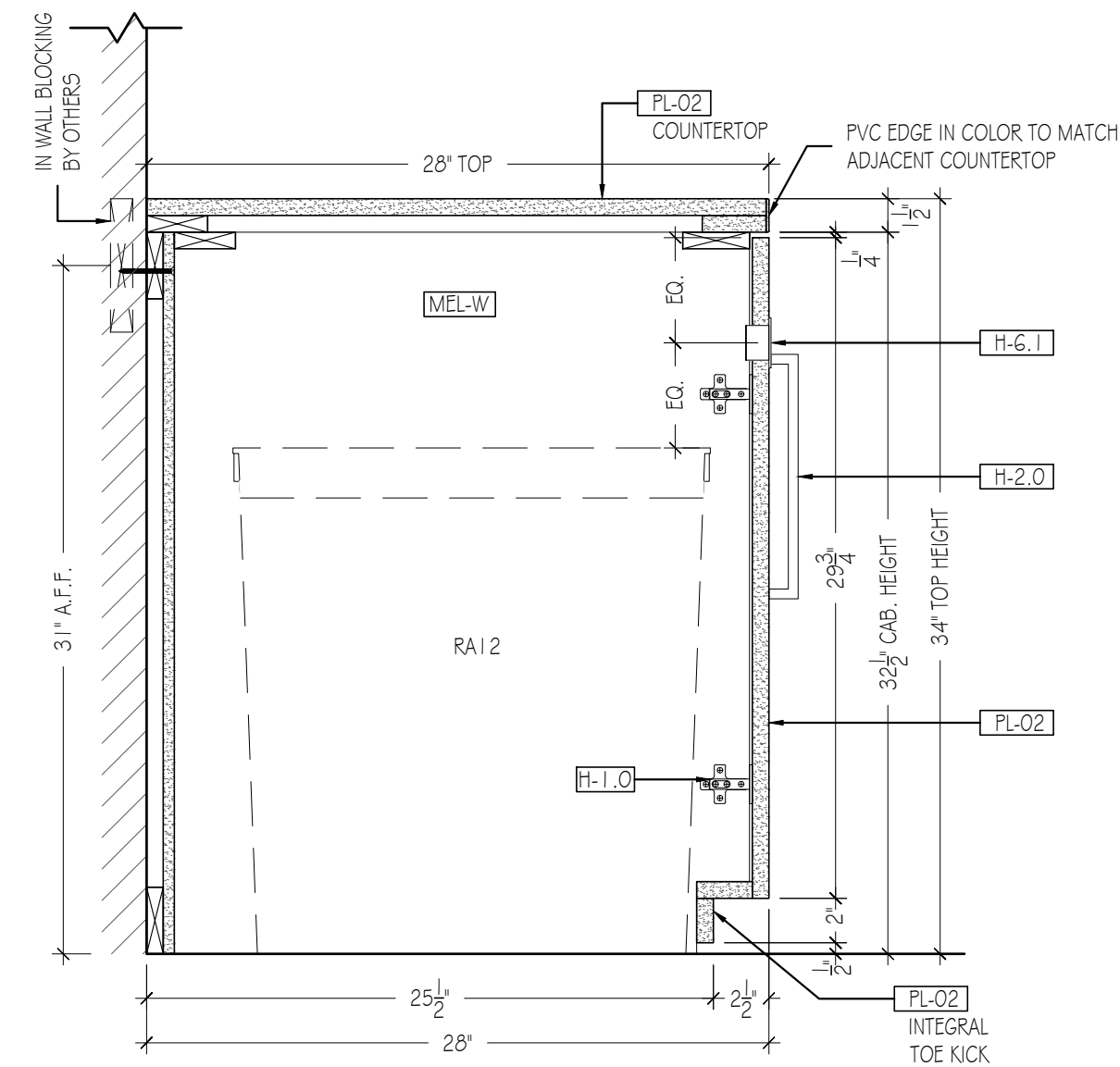
ARCHITECT: GENSLER
CONTRACTOR:
PROJECT:
New York, NY. 10022

DRAWING TITLE:
COPY ROOM

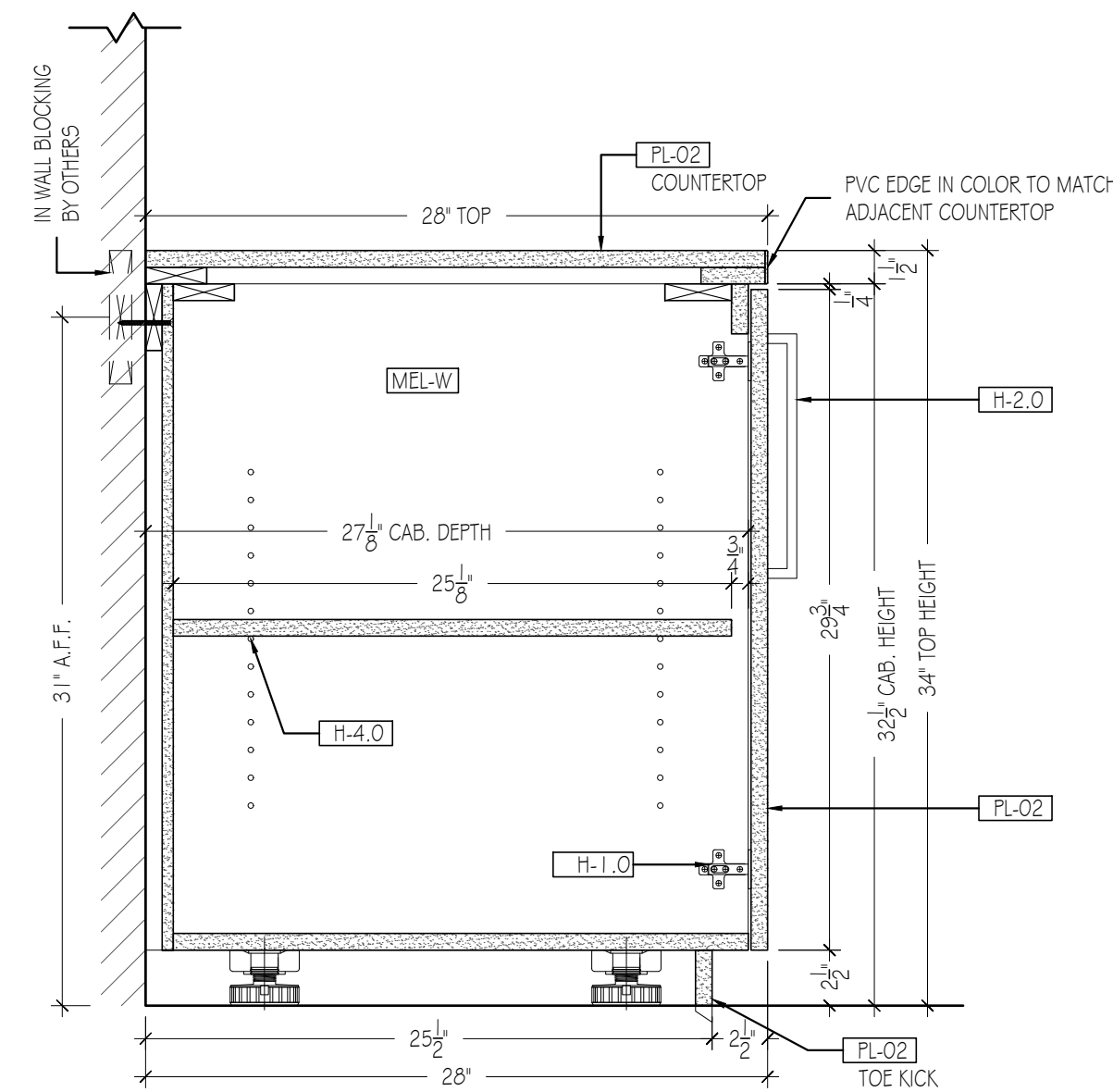
ITEM NO. 06	SPACE NO. 256	DWG. NO. 06.01
SCALE: AS NOTED	DRAWN BY: HD	DATE: 10-24-19
FLOOR NO. --	JOB NO. ----	SHEET 1 OF 2



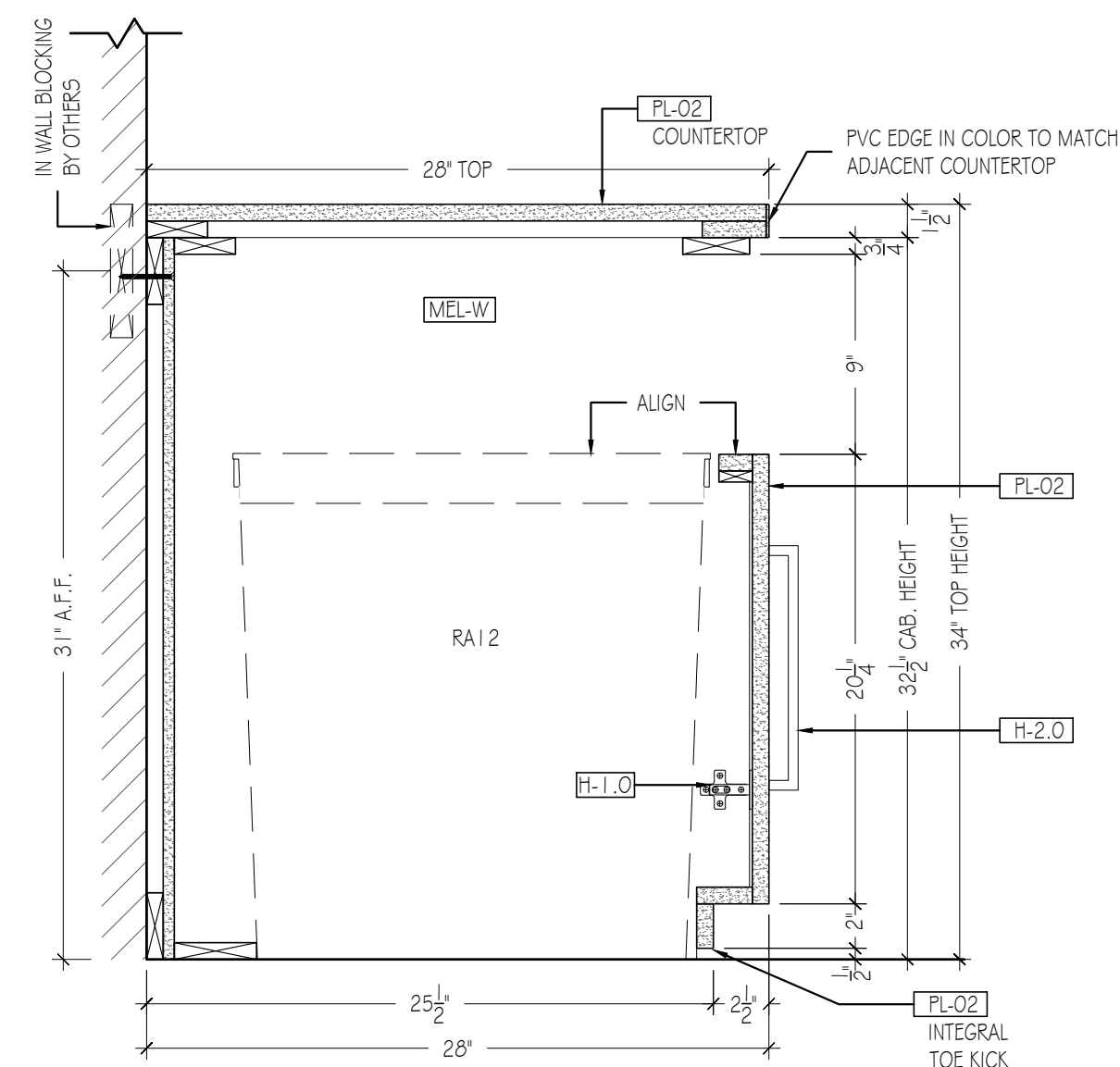
A SECTION
 06.02 SCALE: 1-1/2" = 1'-0" ARCH. REF.: 7/A-961.00



C SECTION
 06.02 SCALE: 1-1/2" = 1'-0" ARCH. REF.: 9/A-961.00



B SECTION
 06.02 SCALE: 1-1/2" = 1'-0" ARCH. REF.: 8/A-961.00



D SECTION
 06.02 SCALE: 1-1/2" = 1'-0" ARCH. REF.: 9/A-961.00

FINISHES

EXTERIOR EXPOSED:	
PL-02	PLASTIC LAMINATE - FORMICA - 933-58 MISSION WHITE, MATTE FINISH
INTERIOR EXPOSED:	
MEL-W	WHITE MELAMINE

BY OTHER

WOOD PROFILES

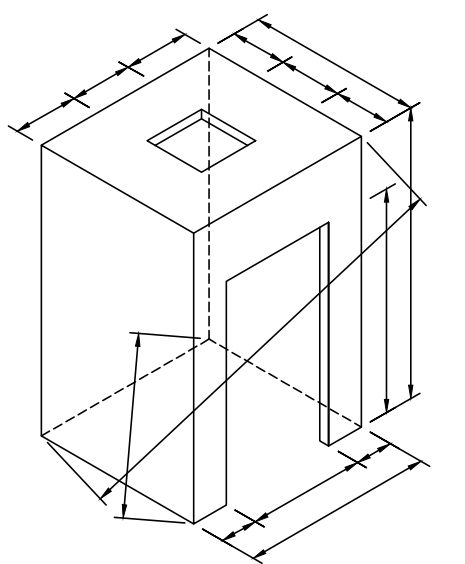
PLEASE NOTE:

WOOD PRODUCTS MUST NOT BE SUBJECTED TO ABNORMAL TEMPERATURES AND MOISTURE (AMI-T-100). HEAT AND HUMIDITY CONTROLS MUST BE OPERATIONAL AND STABILIZED PRIOR TO INSTALLATION

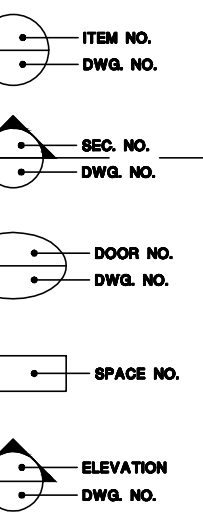
HARDWARE

DESCRIPTION	MANUFACTURER	PRODUCT NUMBER	FINISH	REQ'D
H-1.0 - HINGE	BLUE			
H-2.0 - PULL	DOUG MOCKETT	DP 148B/C	SATIN NICKEL	
H-4.0 - SHELF PINS	KNAPE & VOGT	KV 332 ANO	ANODIZED	
H-6.1 - PAPER SLOT GROMMET	DOUG MOCKETT	CP1	GRAY	
H-1.0.0 - PLASTIC BUMPERS				
H-1.1.0		TRASH CHUTE		

ELEVATOR SIZES



LEGEND:



ISSUES & REVISIONS

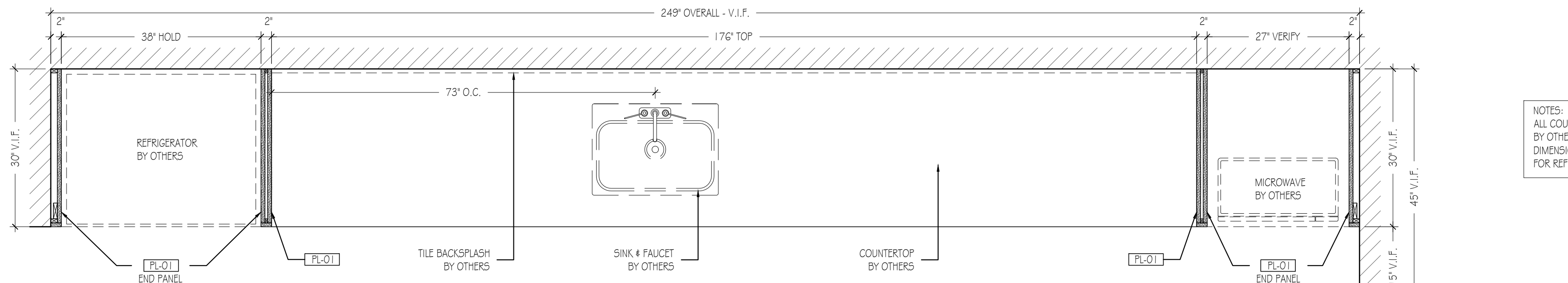
ISSUE	DATE	ISSUE NOTES

REV	DATE	REVISION NOTES	BY
1	11/18/19	REDLINES	HD

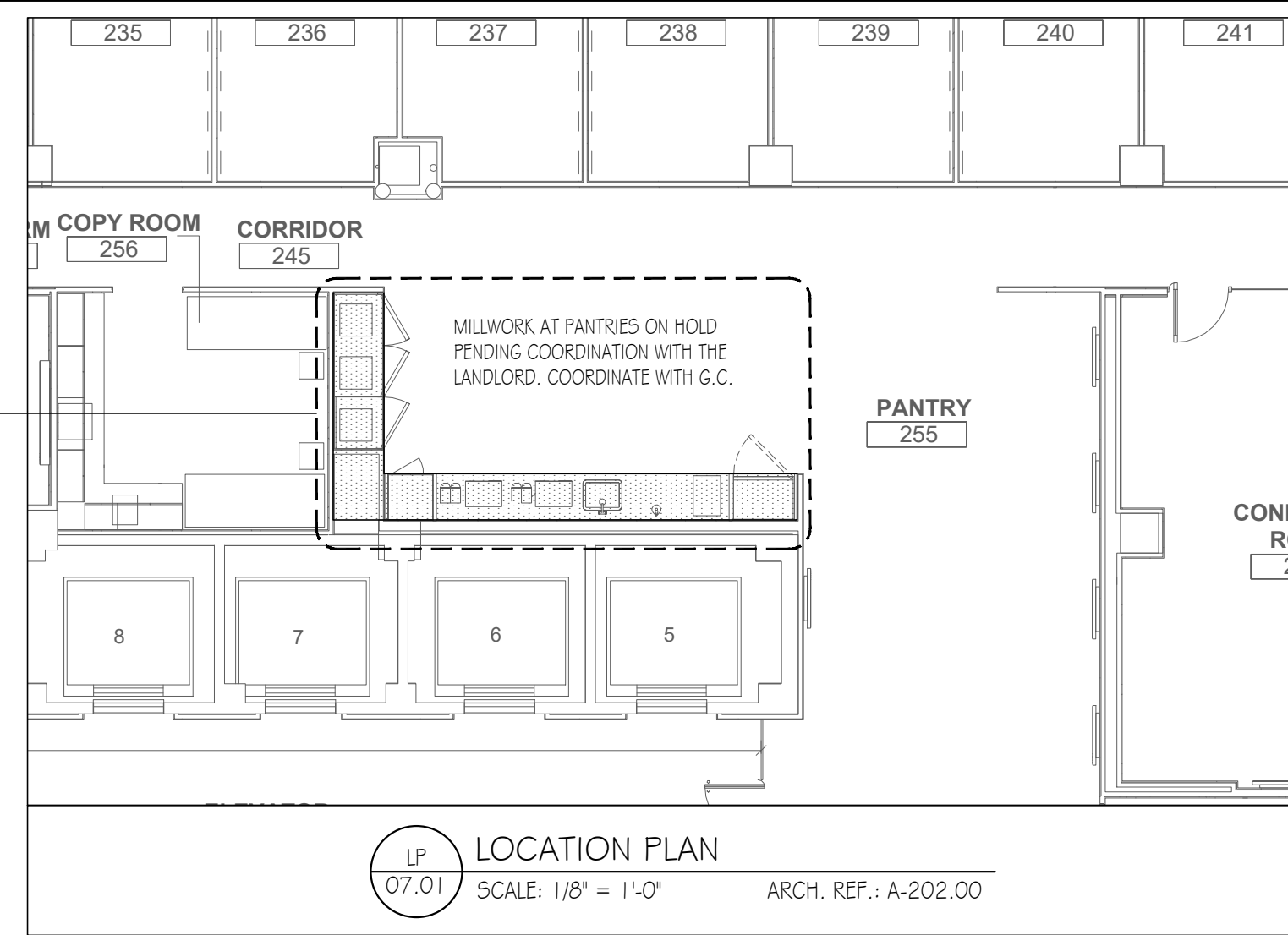
ARCHITECT: GENSLER
 CONTRACTOR:
 PROJECT:
 New York, NY. 10022

DRAWING TITLE:
COPY ROOM

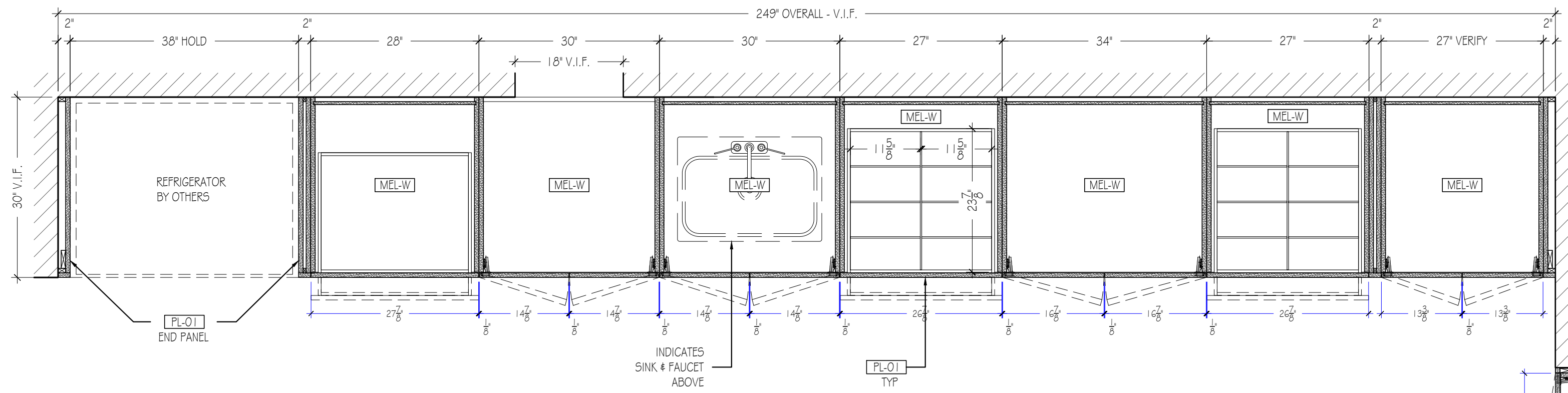
ITEM NO. 06	SPACE NO. 256	DWG. NO. 06.02
SCALE: AS NOTED	DRAWN BY: HD	DATE: 10-24-19
FLOOR NO. --	JOB NO. -----	SHEET 2 OF 2



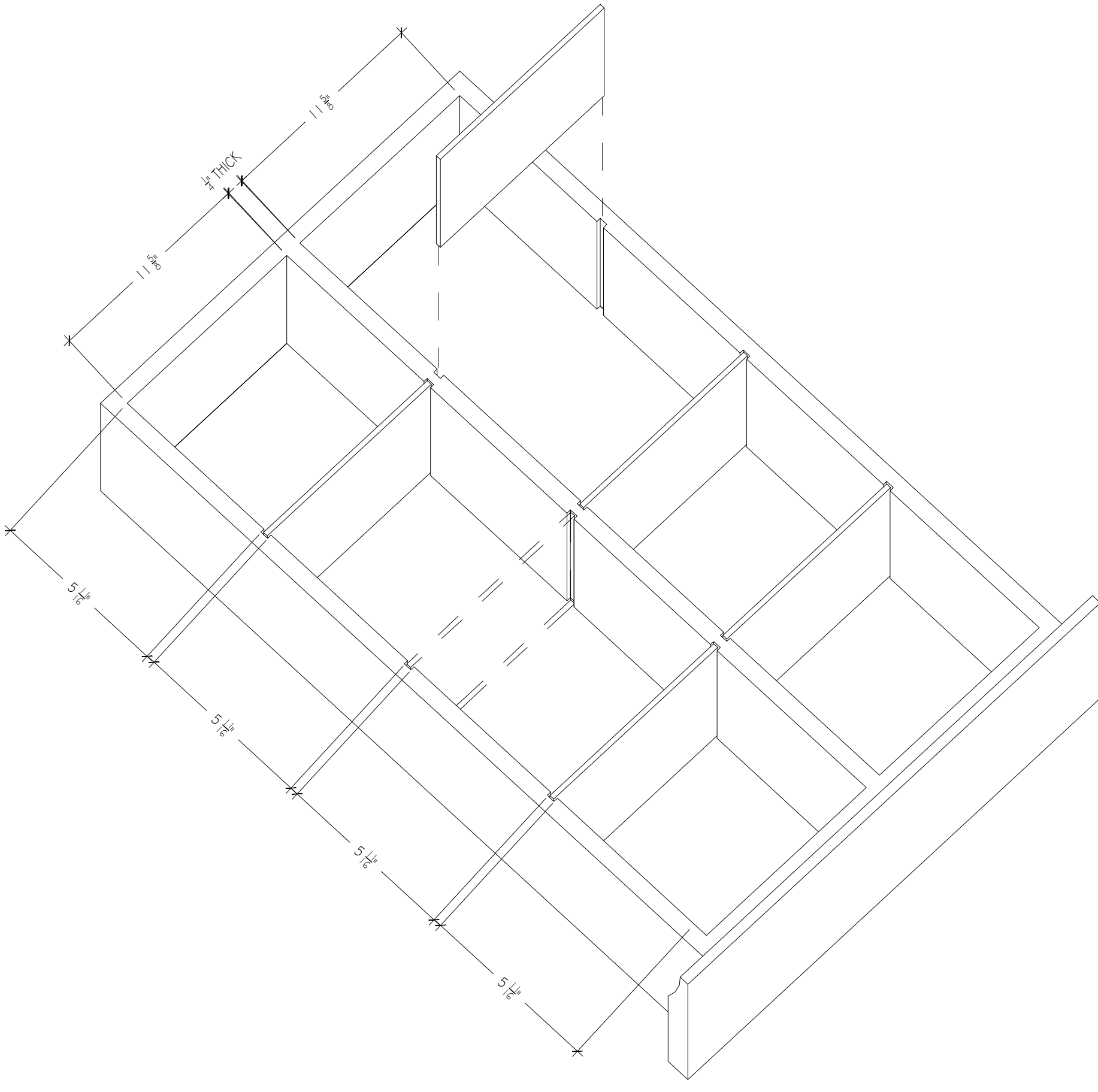
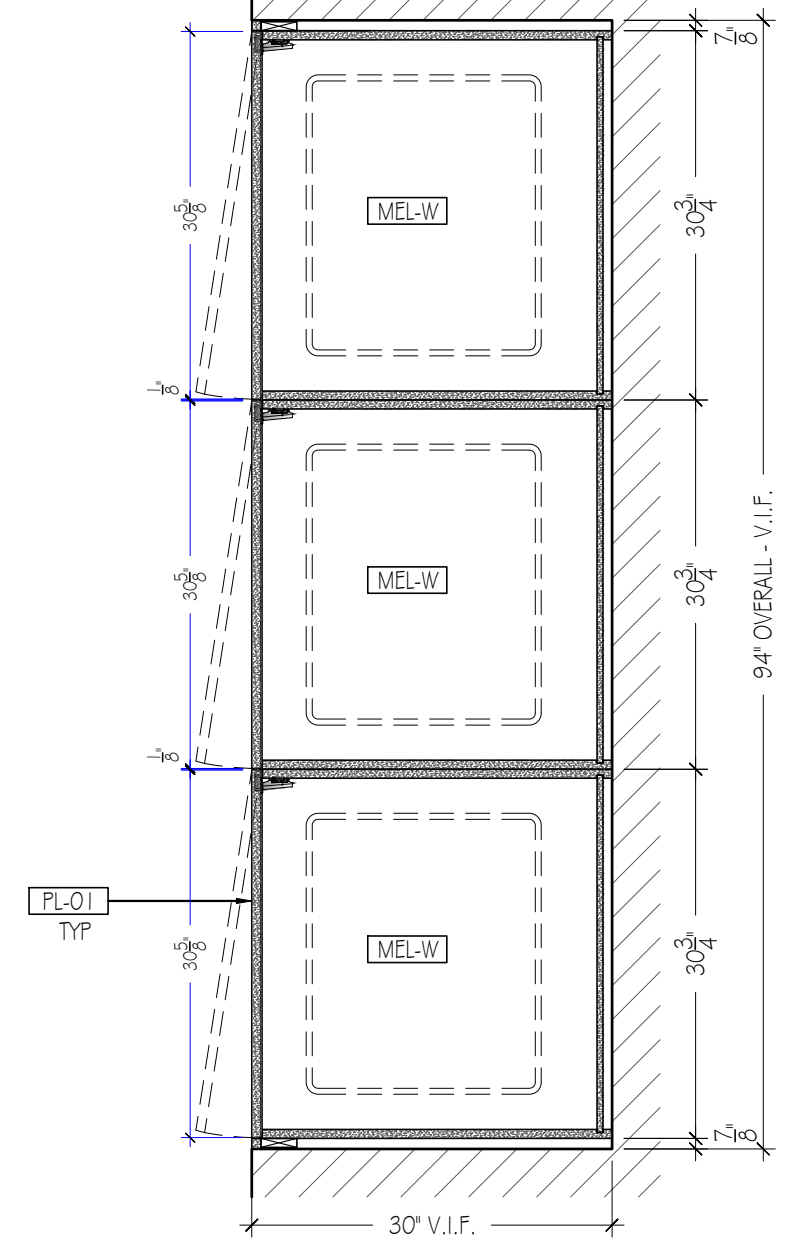
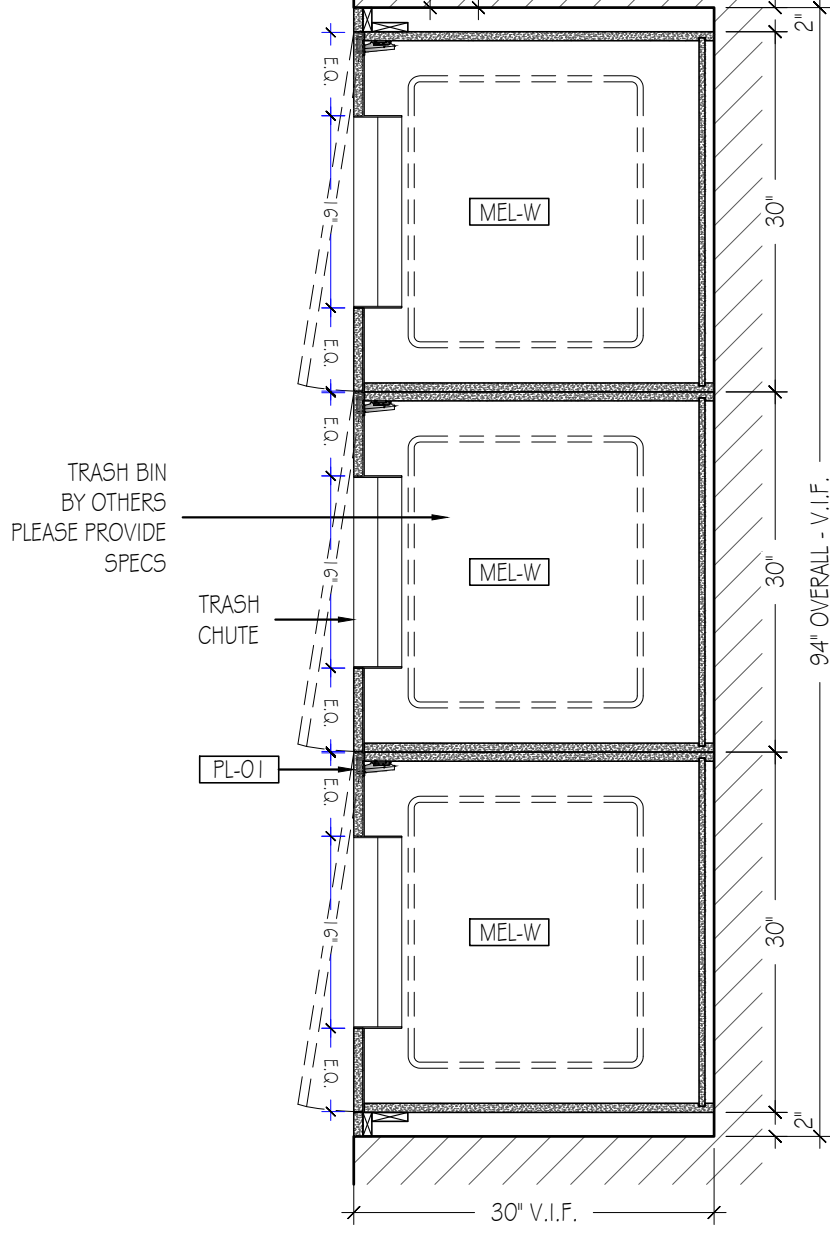
NOTES:
ALL COUNTERTOPS BY OTHERS. DIMENSIONS SHOWN FOR REFERENCE ONLY.



1 PLAN VIEW - PANTRY 255
SCALE: 3/4" = 1'-0"
ARCH. REF.: A-202.00



2 PLAN VIEW - PANTRY 255
SCALE: 3/4" = 1'-0"
ARCH. REF.: NONE



D1 ISOMETRY - BASE DRAWERS - CONDIMENT DIVIDERS
SCALE: 3" = 1'-0"
ARCH. REF.: NONE

FINISHES

EXTERIOR EXPOSED:
PL-01 PLASTIC LAMINATE - FORMICA - 839-90 STOP RED, GLOSS FINISH

INTERIOR EXPOSED:
MEL-W WHITE MELAMINE

BY OTHER

WOOD PROFILES

PLEASE NOTE:
WOOD PRODUCTS MUST NOT BE SUBJECTED TO ABNORMAL TEMPERATURES AND MOISTURE (AMI-T-100). HEAT AND HUMIDITY CONTROLS MUST BE OPERATIONAL AND STABILIZED PRIOR TO INSTALLATION

HARDWARE

DESCRIPTION	MANUFACTURER	PRODUCT NUMBER	FINISH	REQ'D
H-1.0 - HINGE	BLUE			
H-2.0 - PULL	DOUG MOCKETT	DP 148B/C	SATIN NICKEL	
H-3.2 - 24" SLIDES	ACURRIDE	3732	ZINC	
H-4.0 - SHELF PINS	KNAPE & VOGT	KV 332 ANO	ANODROME	
H-10.0 - PLASTIC BUMPERS				
H-11.0		TRASH CHUTE		

ELEVATOR SIZES

LEGEND:

- ITEM NO. DWG. NO.
- SEC. NO. DWG. NO.
- DOOR NO. DWG. NO.
- SPACE NO.
- ELEVATION DWG. NO.

ISSUES & REVISIONS

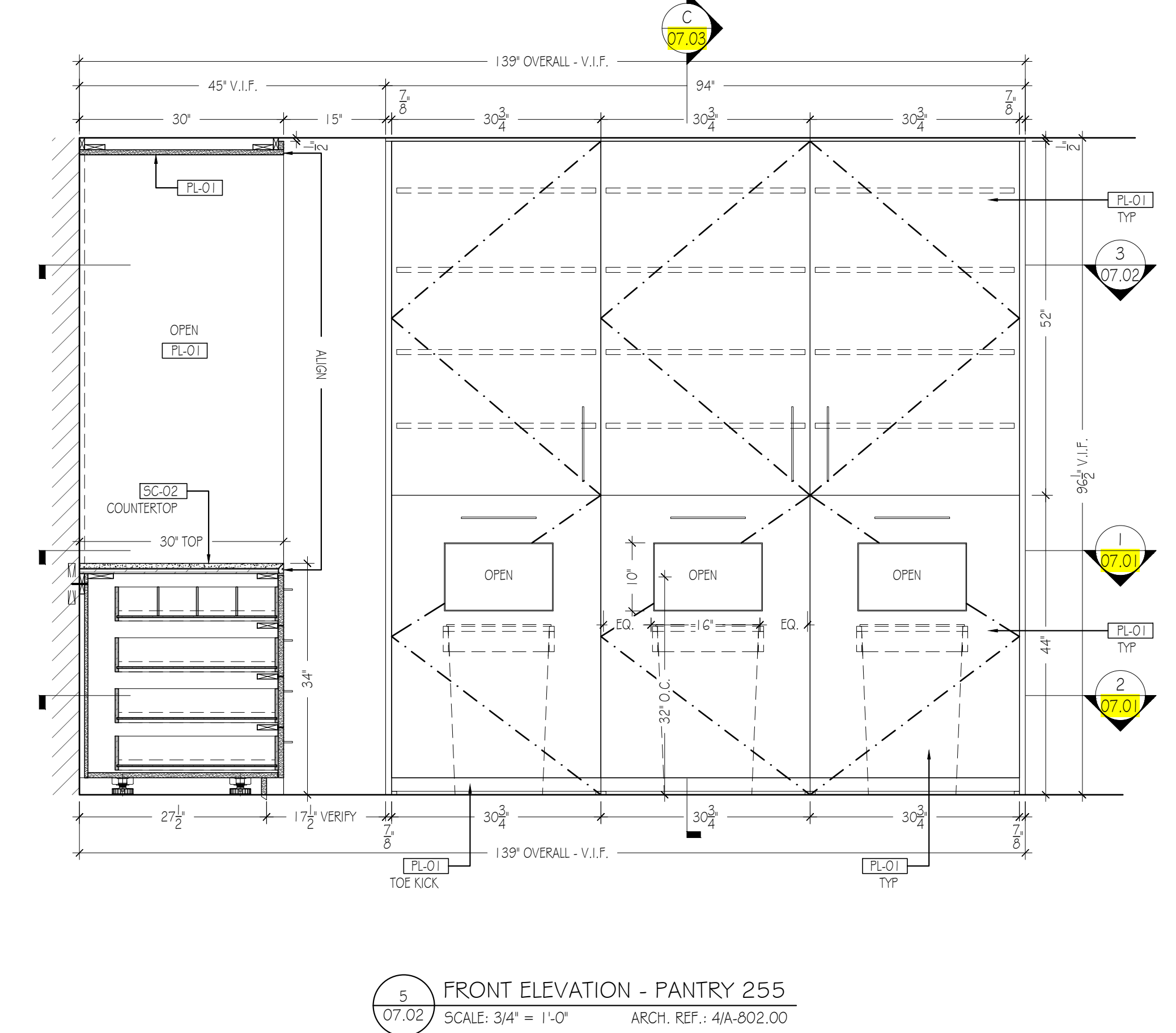
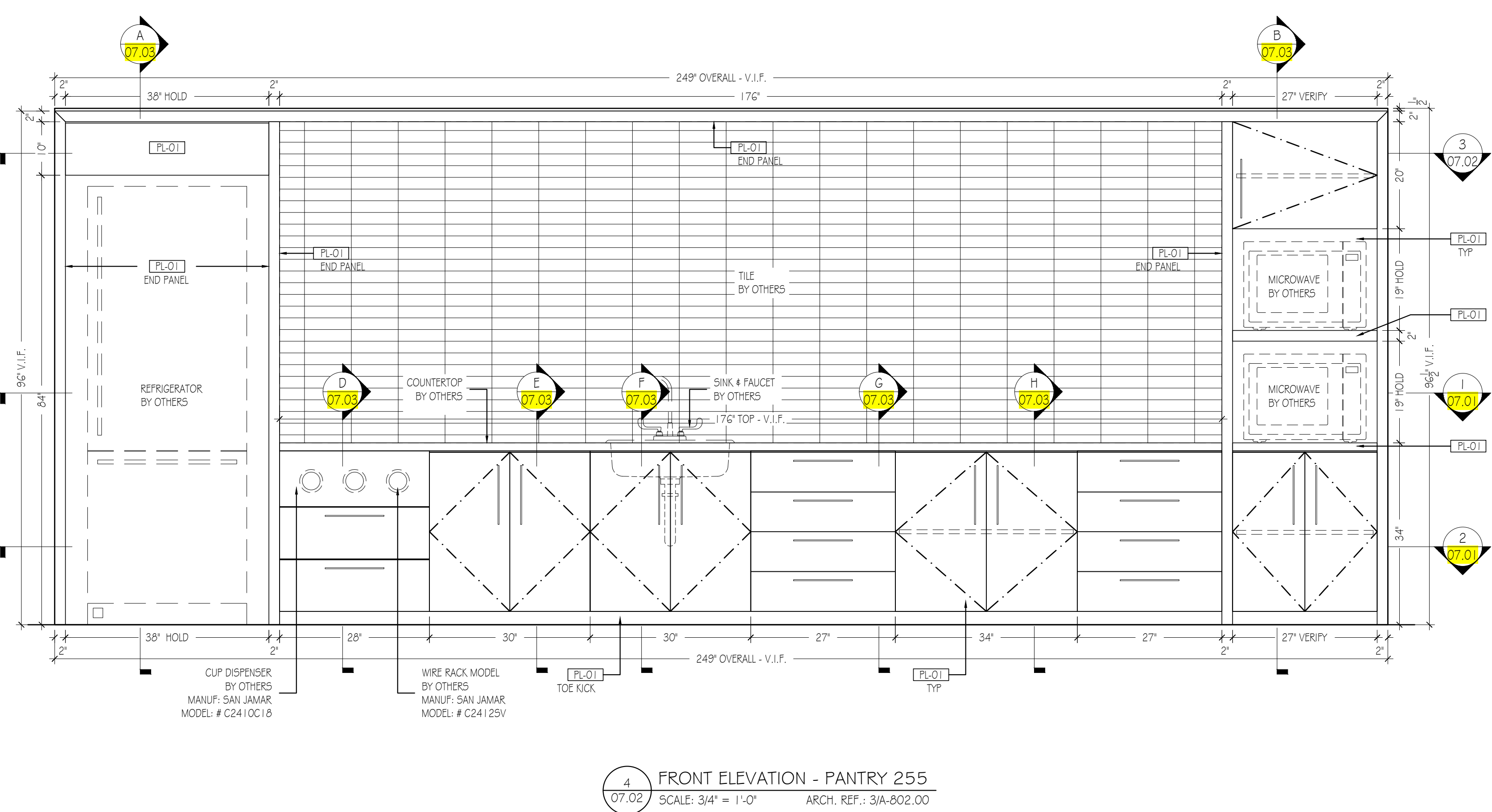
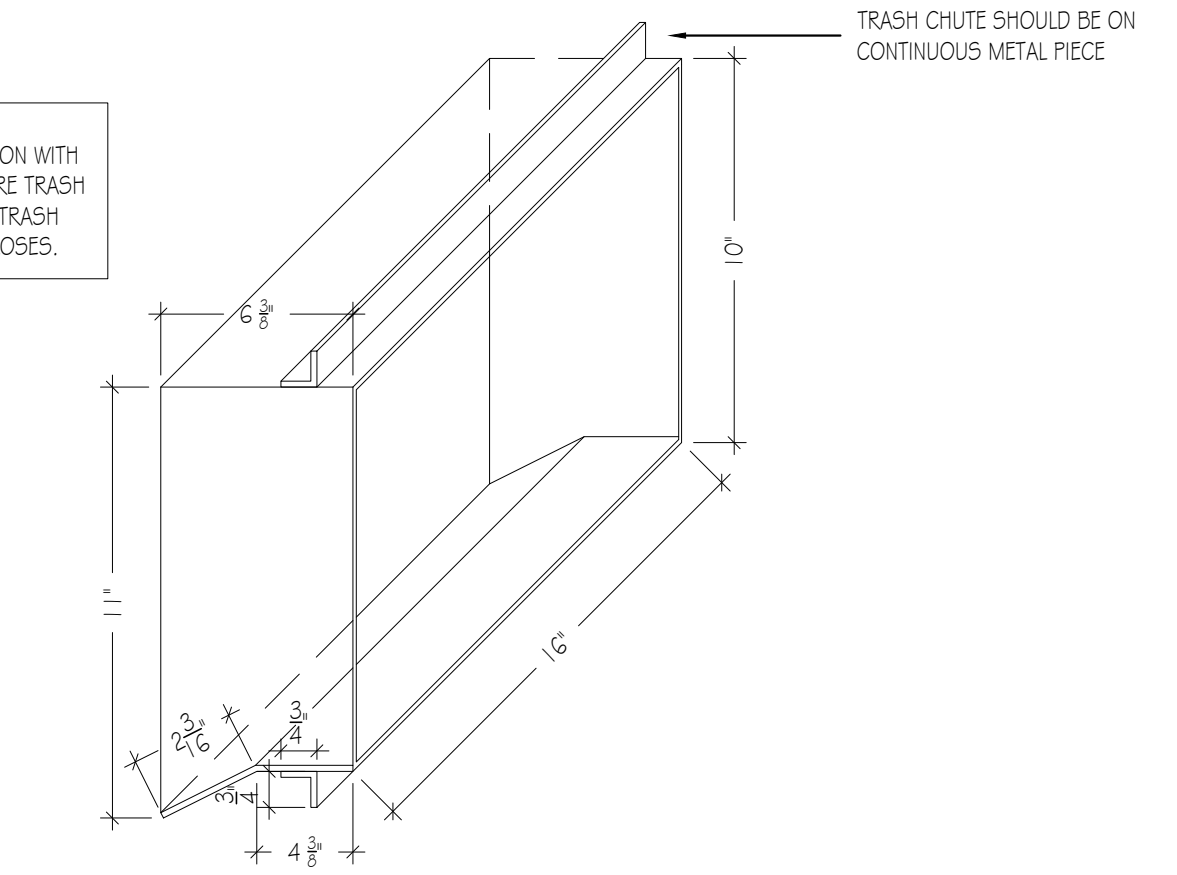
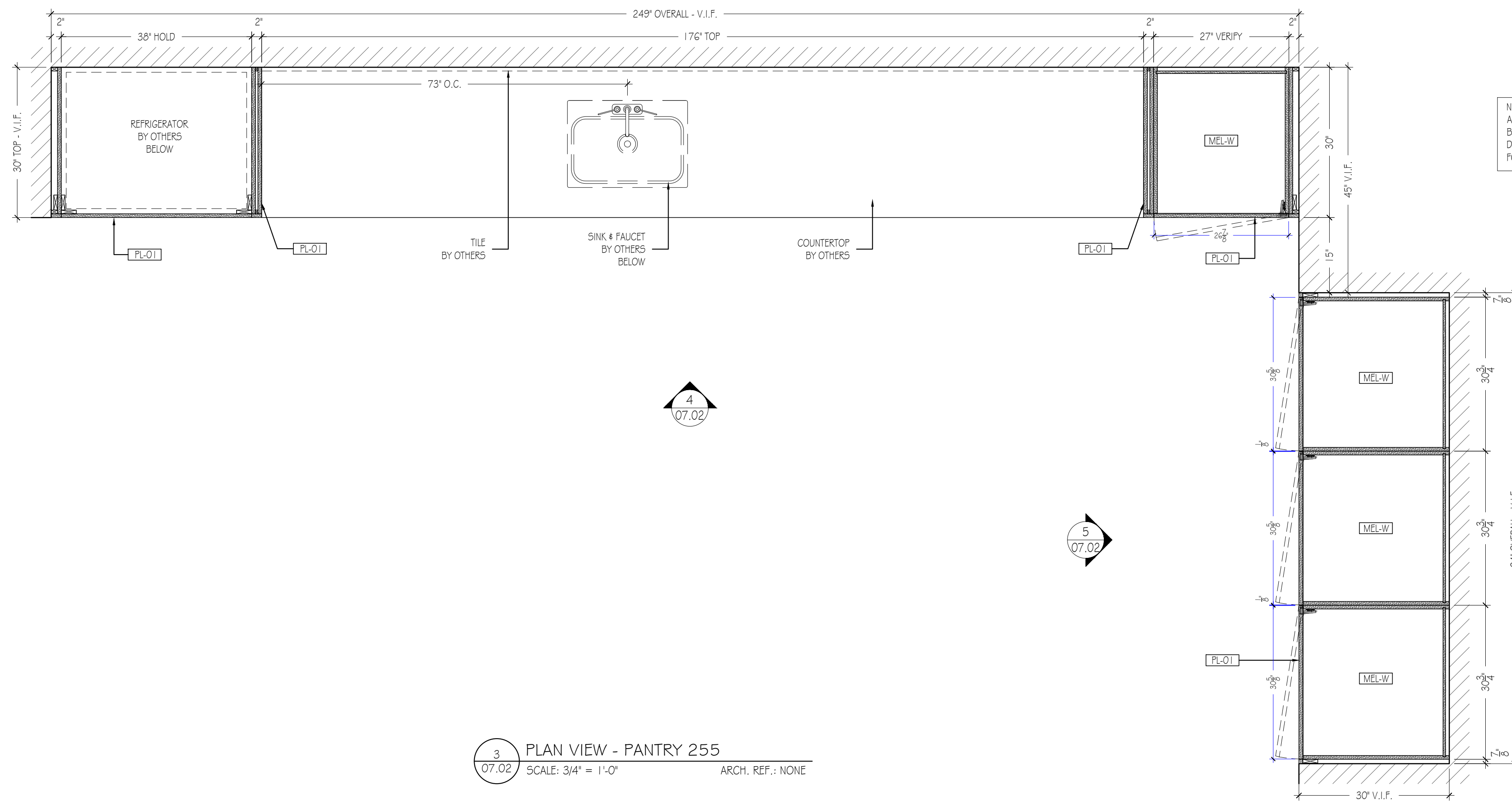
ISSUE	DATE	ISSUE NOTES

REV	DATE	REVISION NOTES	BY
1	11/18/19	REDLINES	HD

ARCHITECT: GENSLER
CONTRACTOR:
PROJECT:
New York, NY. 10022

DRAWING TITLE:
PANTRY

ITEM NO. 07	SPACE NO. 255	DWG. NO. 07.01
SCALE: AS NOTED	DRAWN BY: HD	DATE: 10-24-19
FLOOR NO. --	JOB NO. -----	SHEET 1 OF 3



FINISHES

EXTERIOR EXPOSED:

PL-O1	PLASTIC LAMINATE - FORMICA - 839-90 STOP RED, GLOSS FINISH
-------	--

INTERIOR EXPOSED:

MEL-W	WHITE MELAMINE
-------	----------------

BY OTHER

WOOD PROFILES

PLEASE NOTE:
WOOD PRODUCTS MUST NOT BE SUBJECTED TO ABNORMAL TEMPERATURES AND MOISTURE (AMI-T-100). HEAT AND HUMIDITY CONTROLS MUST BE OPERATIONAL AND STABILIZED PRIOR TO INSTALLATION

HARDWARE

DESCRIPTION	MANUFACTURER	PRODUCT NUMBER	FINISH	REQ'D
H-1.0 - HINGE	BLUE			
H-2.0 - PULL	DOUG MOCKETT	DP 1488/C	SATIN NICKEL	
H-3.2 - 24" SLIDES	ACURRIDE	3732	ZINC	
H-4.0 - SHELF PINS	KNAPE & VOGT	KV 332 ANO	ANODROME	
H-1.0.0 - PLASTIC BUMPERS				
H-1.1.0		TRASH CHUTE		

ELEVATOR SIZES

LEGEND:

- ITEM NO. DWG. NO.
- SEC. NO. DWG. NO.
- DOOR NO. DWG. NO.
- SPACE NO.
- ELEVATOR DWG. NO.

ISSUES & REVISIONS

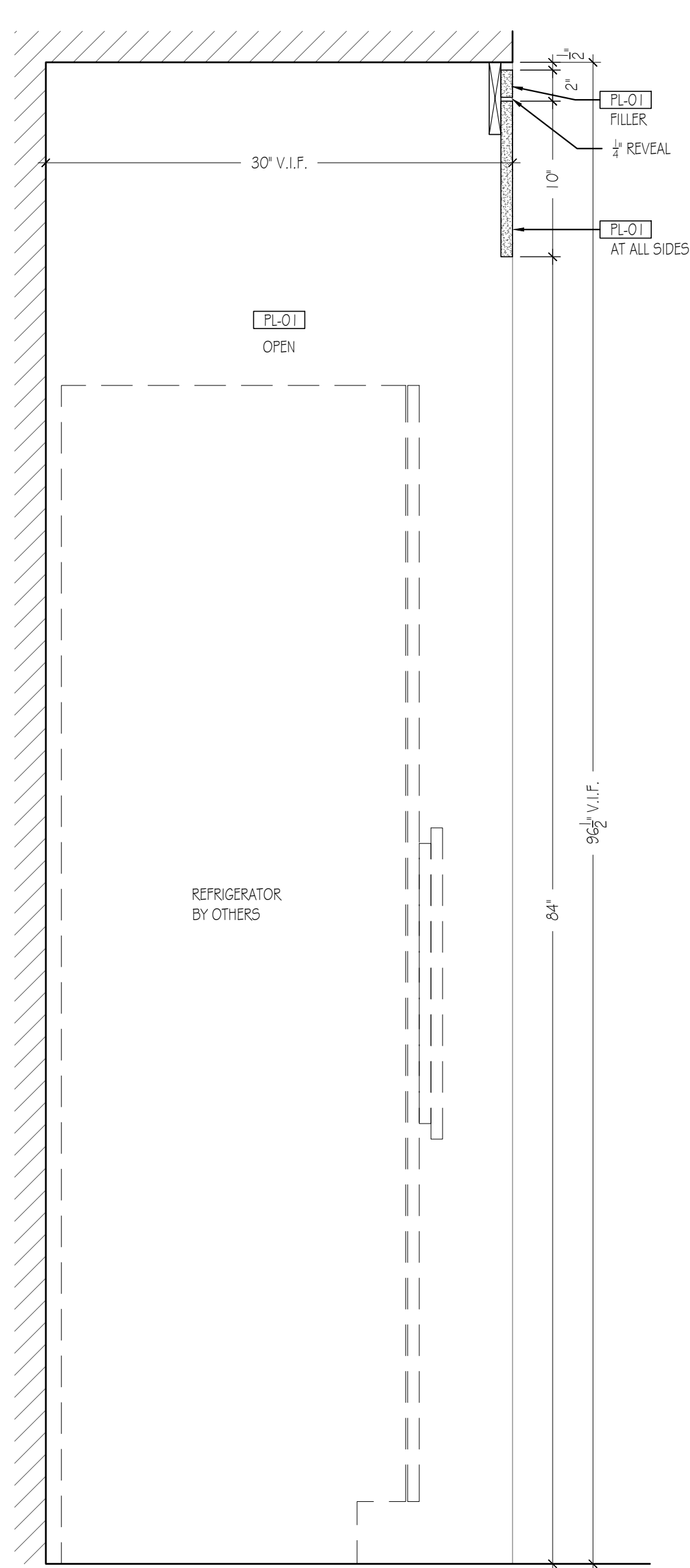
ISSUE	DATE	ISSUE NOTES

REV	DATE	REVISION NOTES	BY
1	11/18/19	REDLINES	HD

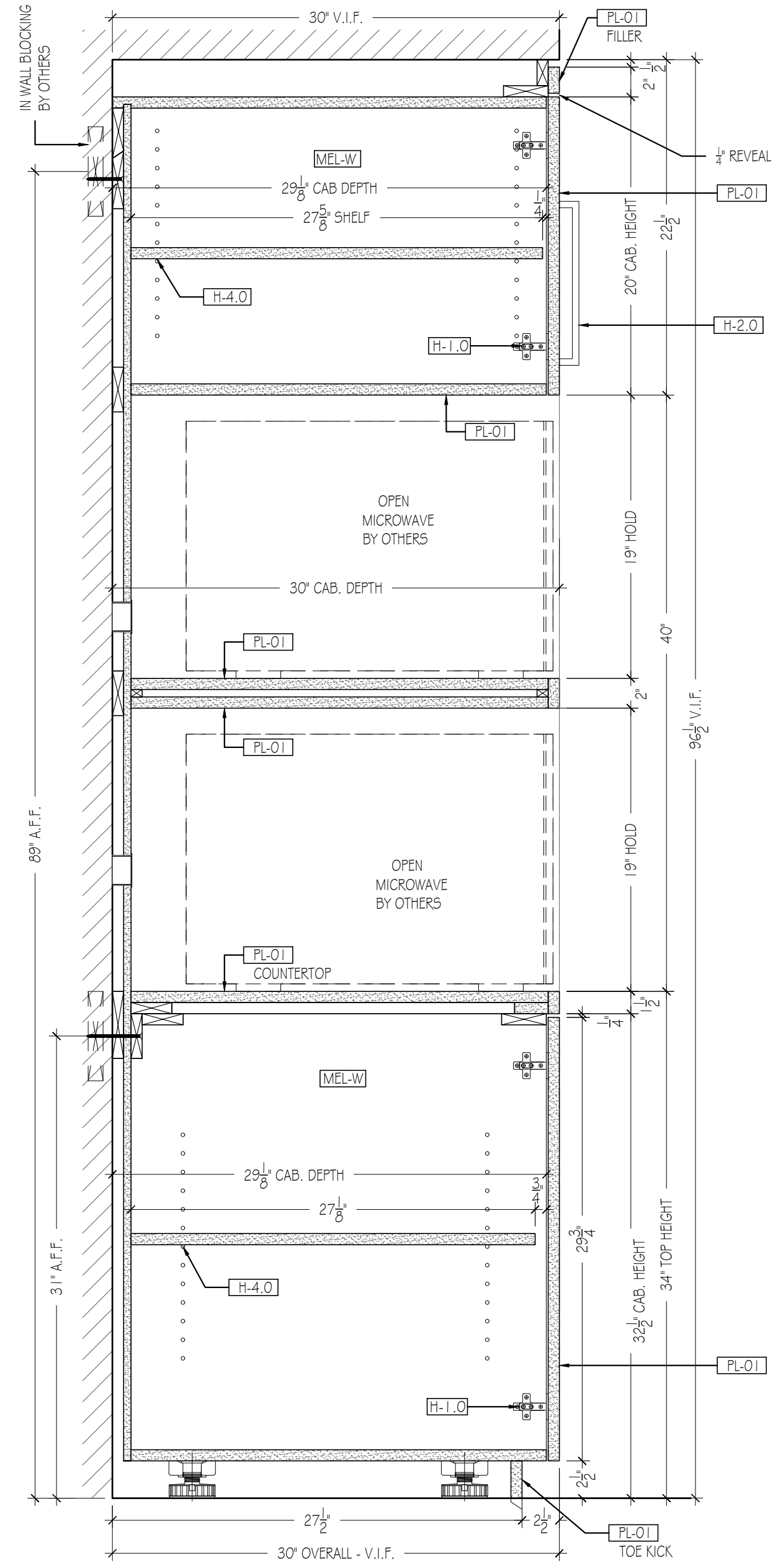
ARCHITECT: GENSLER
 CONTRACTOR:
 PROJECT:
 New York, NY, 10022

DRAWING TITLE:
PANTRY

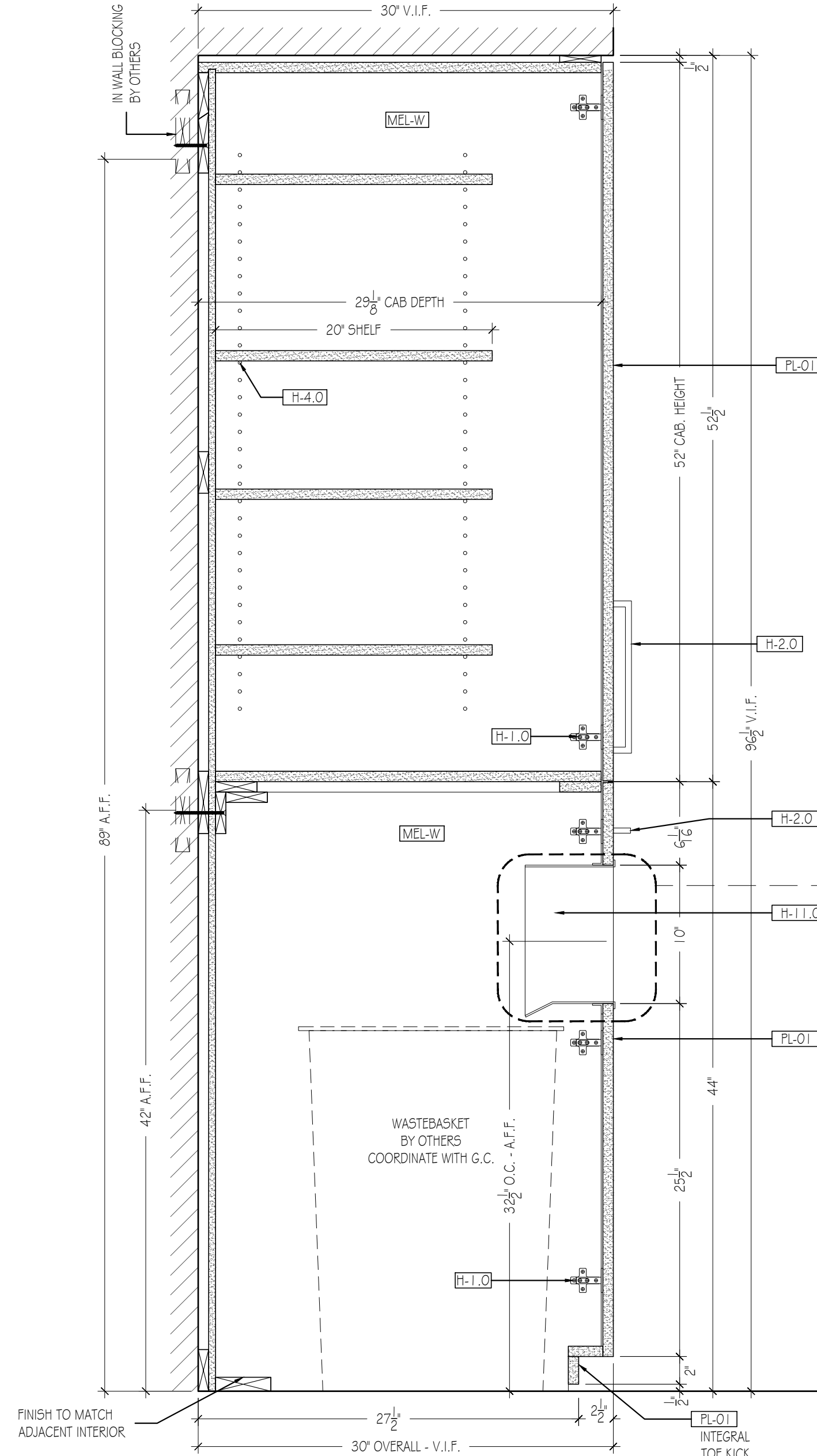
ITEM NO. 07	SPACE NO. 255	DWG. NO. 07.02
SCALE: AS NOTED	DRAWN BY: HD	DATE: 10-24-19
FLOOR NO. --	JOB NO. -----	SHEET 2 OF 3



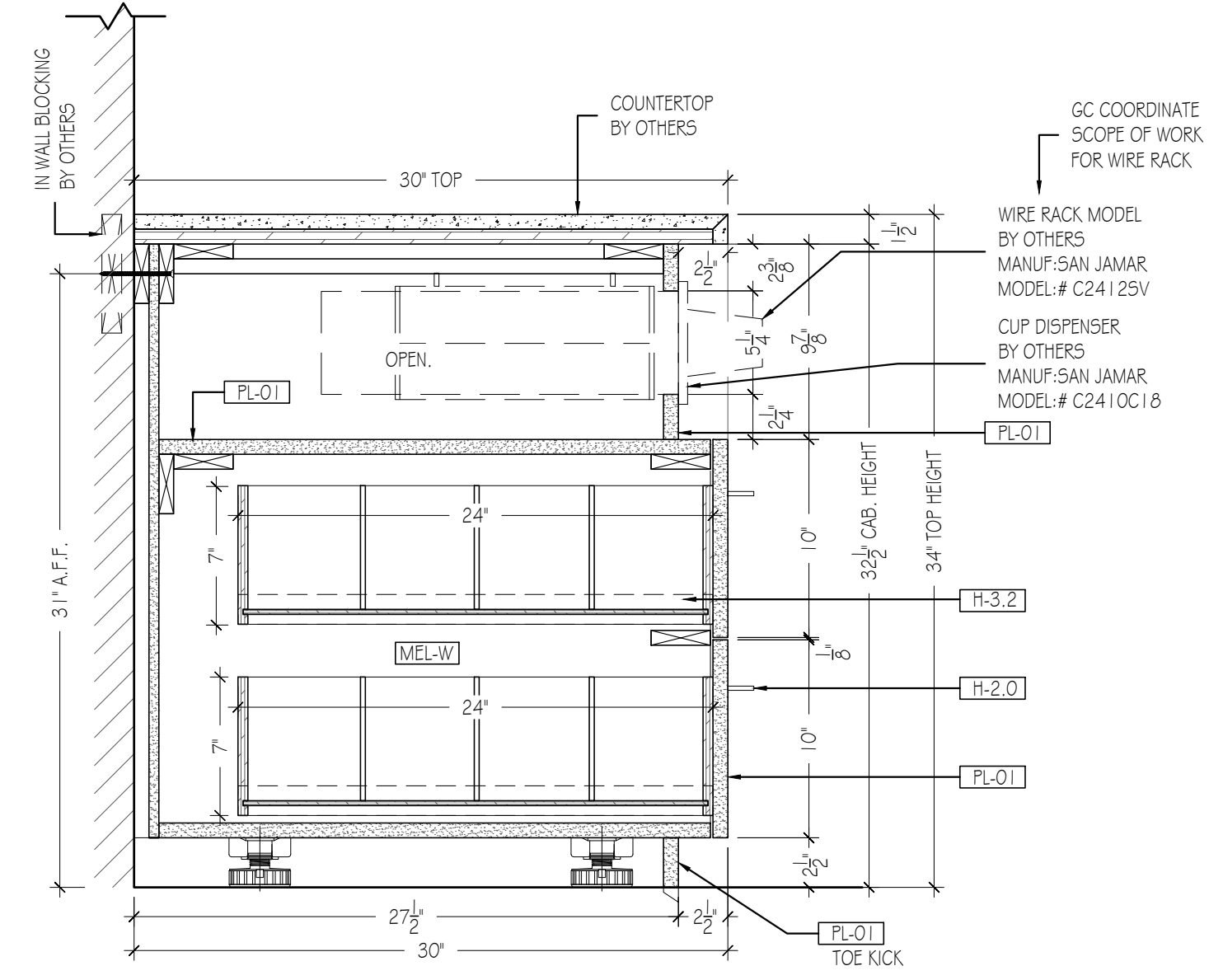
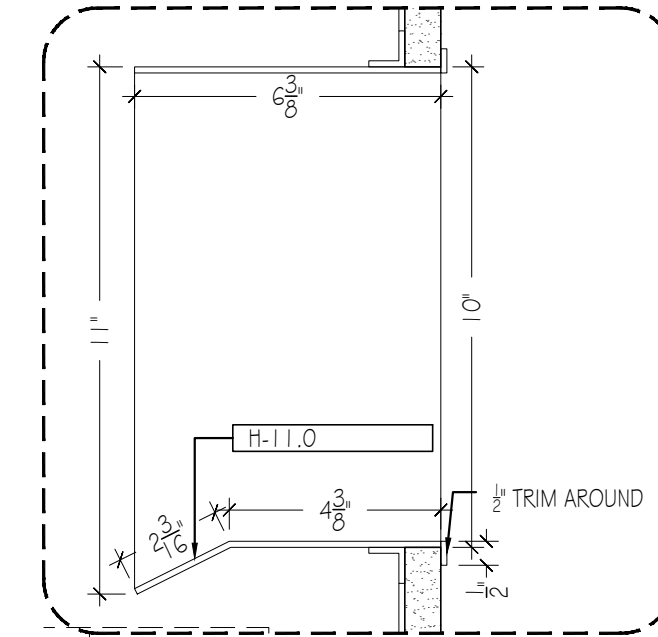
A SECTION
07.03 SCALE: 1-1/2" = 1'-0" ARCH. REF.: NONE



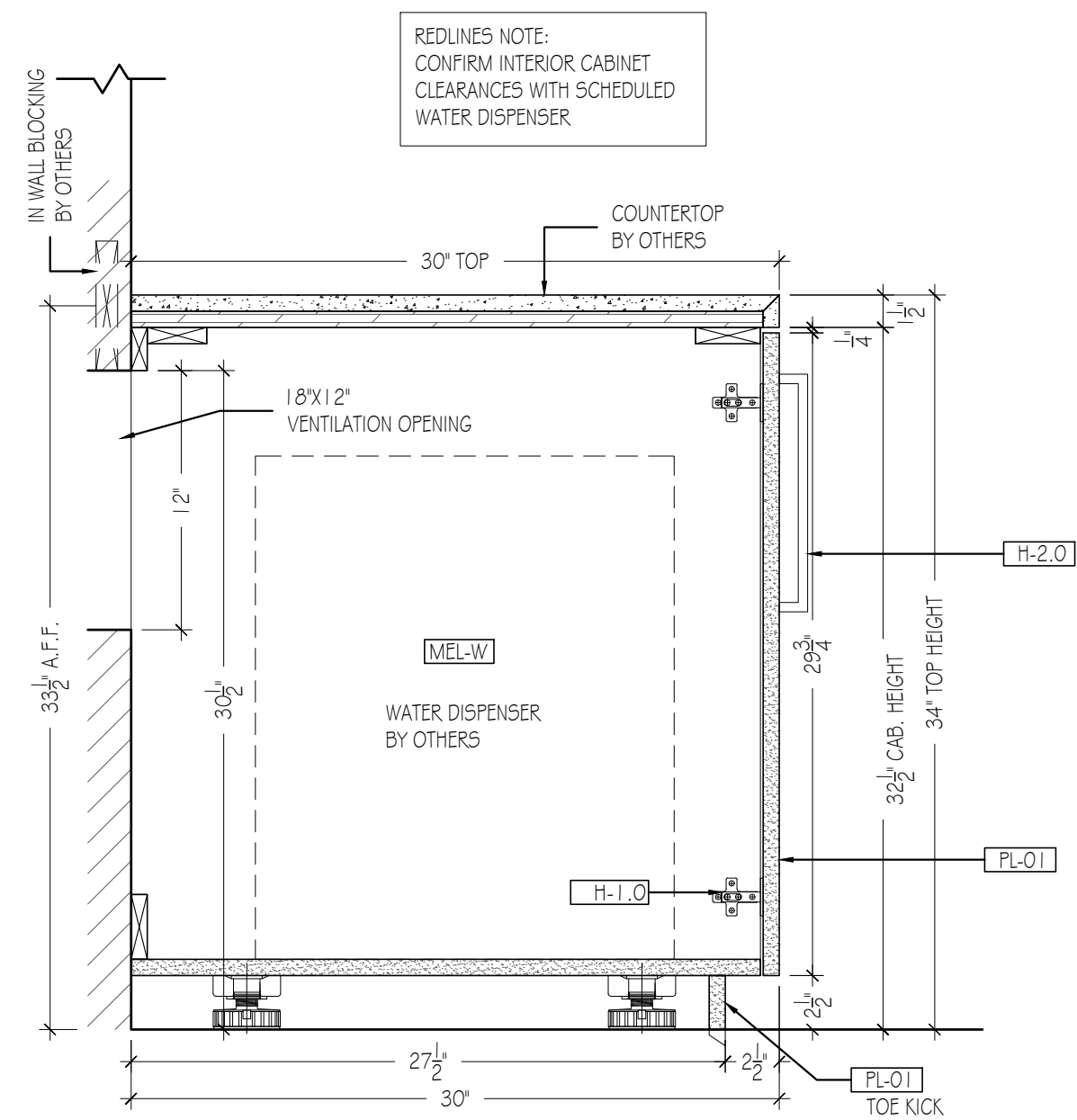
B SECTION
07.03 SCALE: 1-1/2" = 1'-0" ARCH. REF.: 7/A-962.00



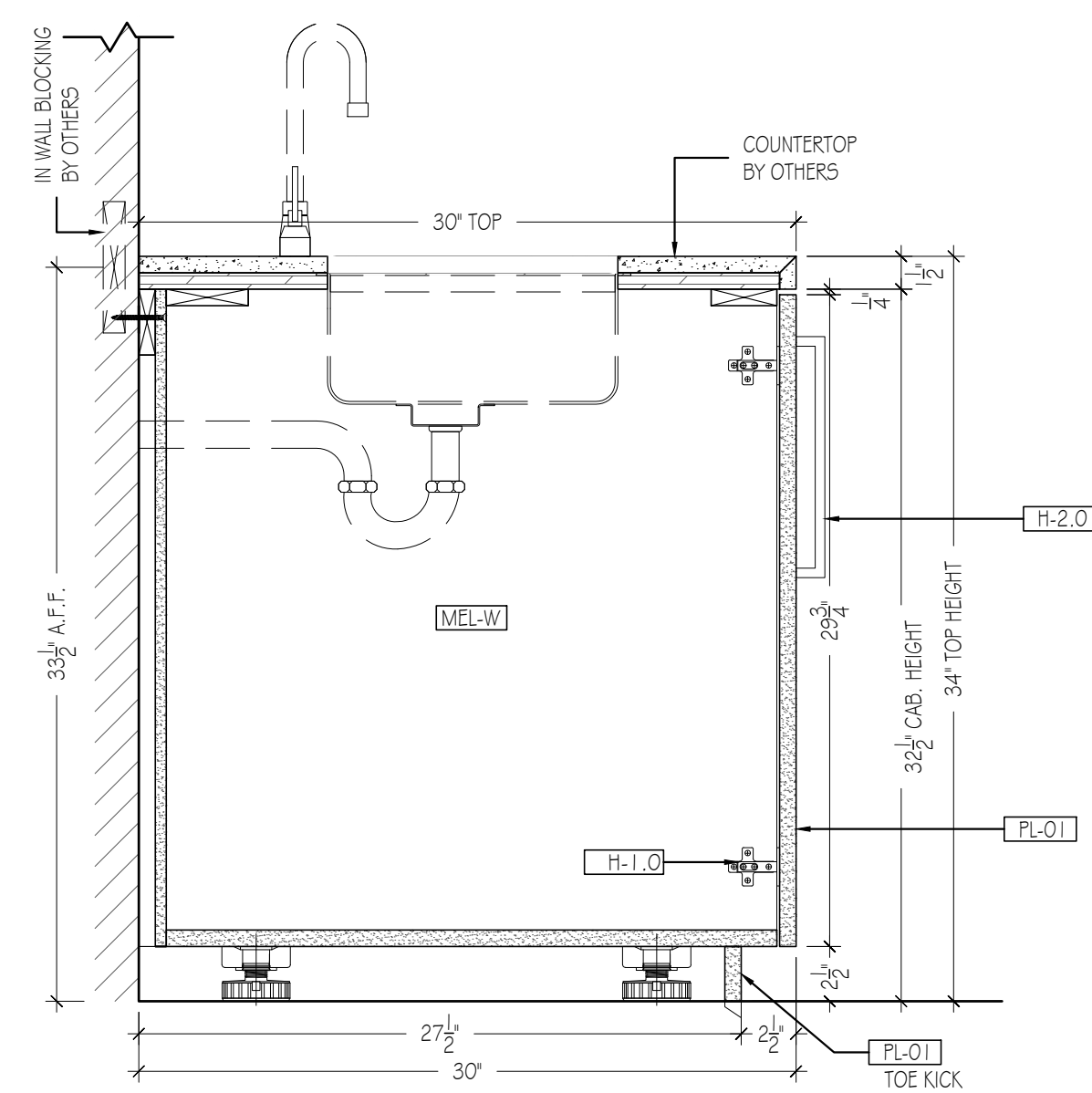
C SECTION
07.03 SCALE: 1-1/2" = 1'-0" ARCH. REF.: 5/A-962.00



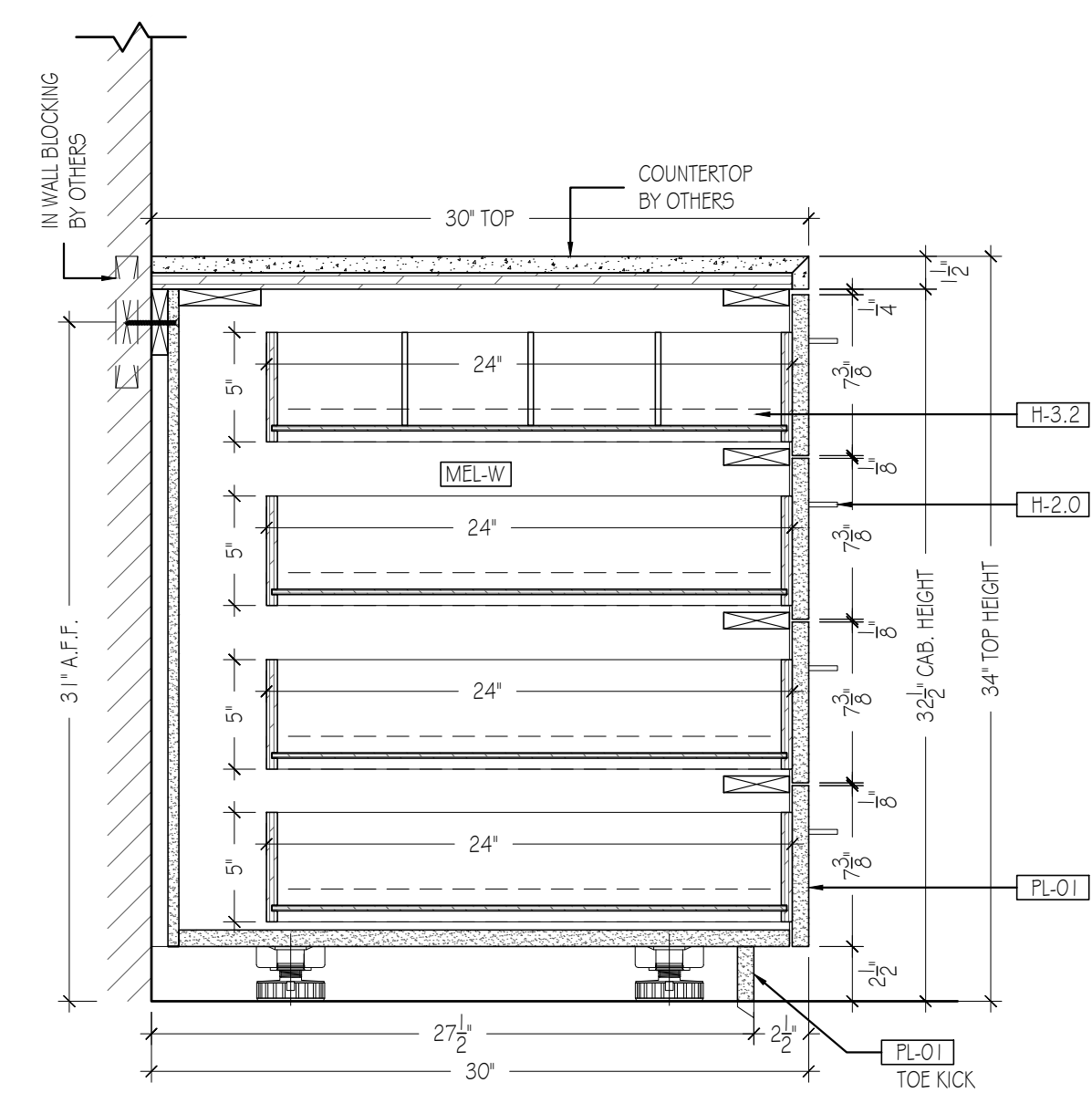
D SECTION
07.03 SCALE: 1-1/2" = 1'-0" ARCH. REF.: 2/A-961.00



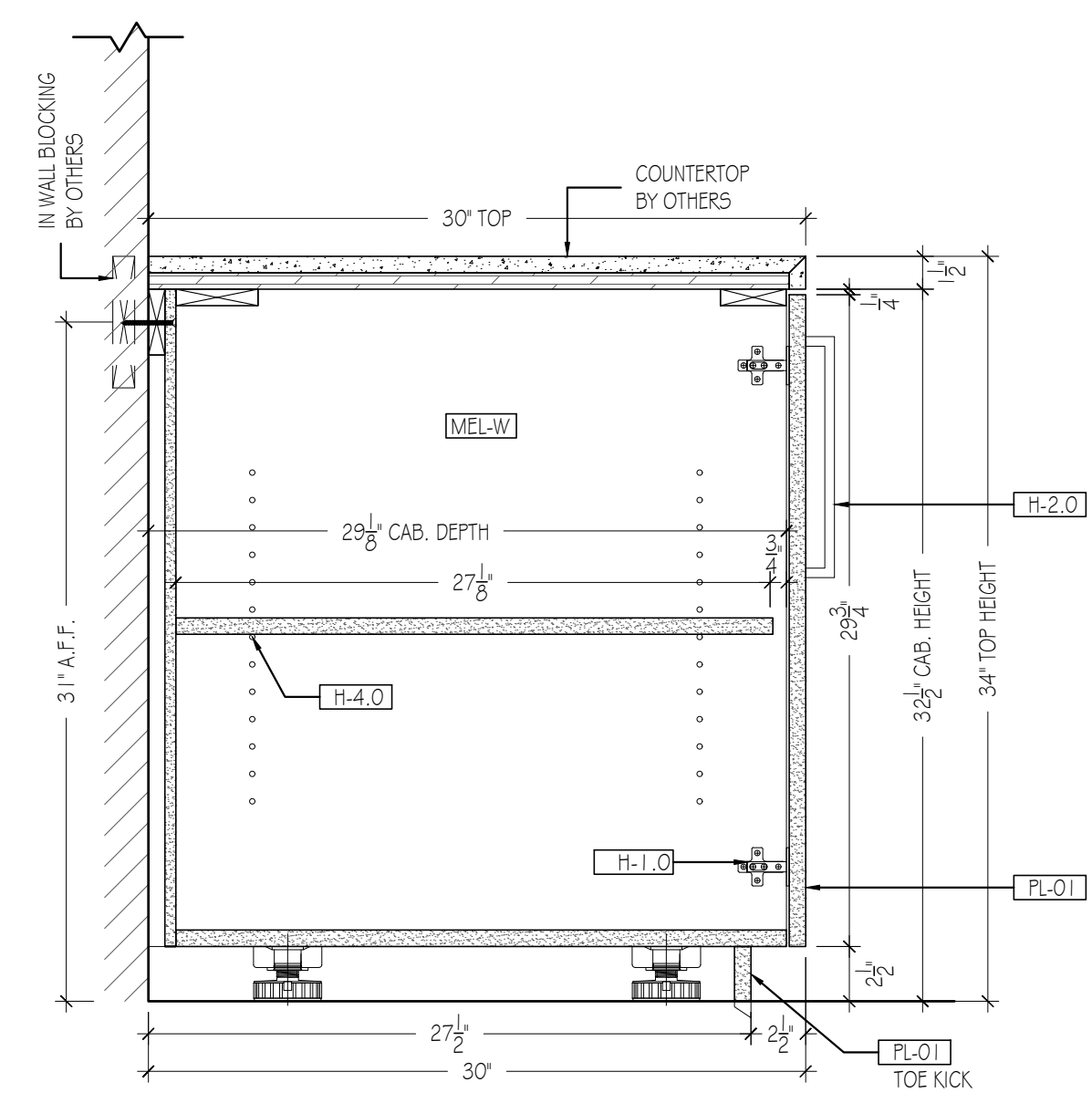
E SECTION
07.03 SCALE: 1-1/2" = 1'-0" ARCH. REF.: 2/A-962.00



F SECTION
07.03 SCALE: 1-1/2" = 1'-0" ARCH. REF.: NONE



G SECTION
07.03 SCALE: 1-1/2" = 1'-0" ARCH. REF.: 2/A-962.00



H SECTION
07.03 SCALE: 1-1/2" = 1'-0" ARCH. REF.: NONE

MILLWORK AT PANTRIES ON HOLD
PENDING COORDINATION WITH THE
LANDLORD. COORDINATE WITH G.C.

FINISHES

EXTERIOR EXPOSED:
PL-01 PLASTIC LAMINATE - FORMICA - 839-90 STOP RED, GLOSS FINISH

INTERIOR EXPOSED:
MEL-W WHITE MELAMINE

BY OTHER

WOOD PROFILES

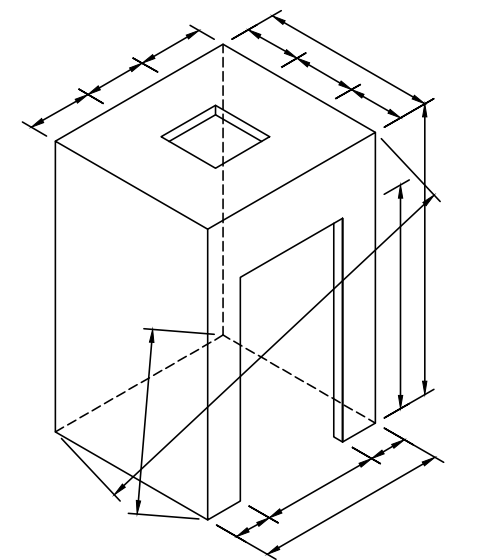
PLEASE NOTE:

WOOD PRODUCTS MUST NOT BE SUBJECTED TO ABNORMAL TEMPERATURES
AND MOISTURE (AMI-T-100). HEAT AND HUMIDITY CONTROLS
MUST BE OPERATIONAL AND STABILIZED PRIOR TO INSTALLATION

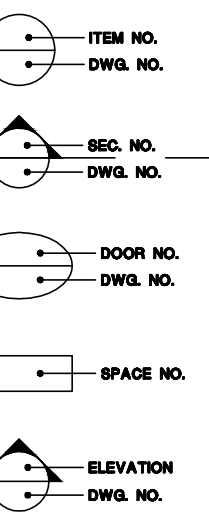
HARDWARE

DESCRIPTION	MANUFACTURER	PRODUCT NUMBER	FINISH	REQ'D
H-1.0 - HINGE	BLUE			
H-2.0 - PULL	DOUG MOCKETT	DP 148B/C	SATIN NICKEL	
H-3.2 - 24\"/>				

ELEVATOR SIZES



LEGEND:



ISSUES & REVISIONS

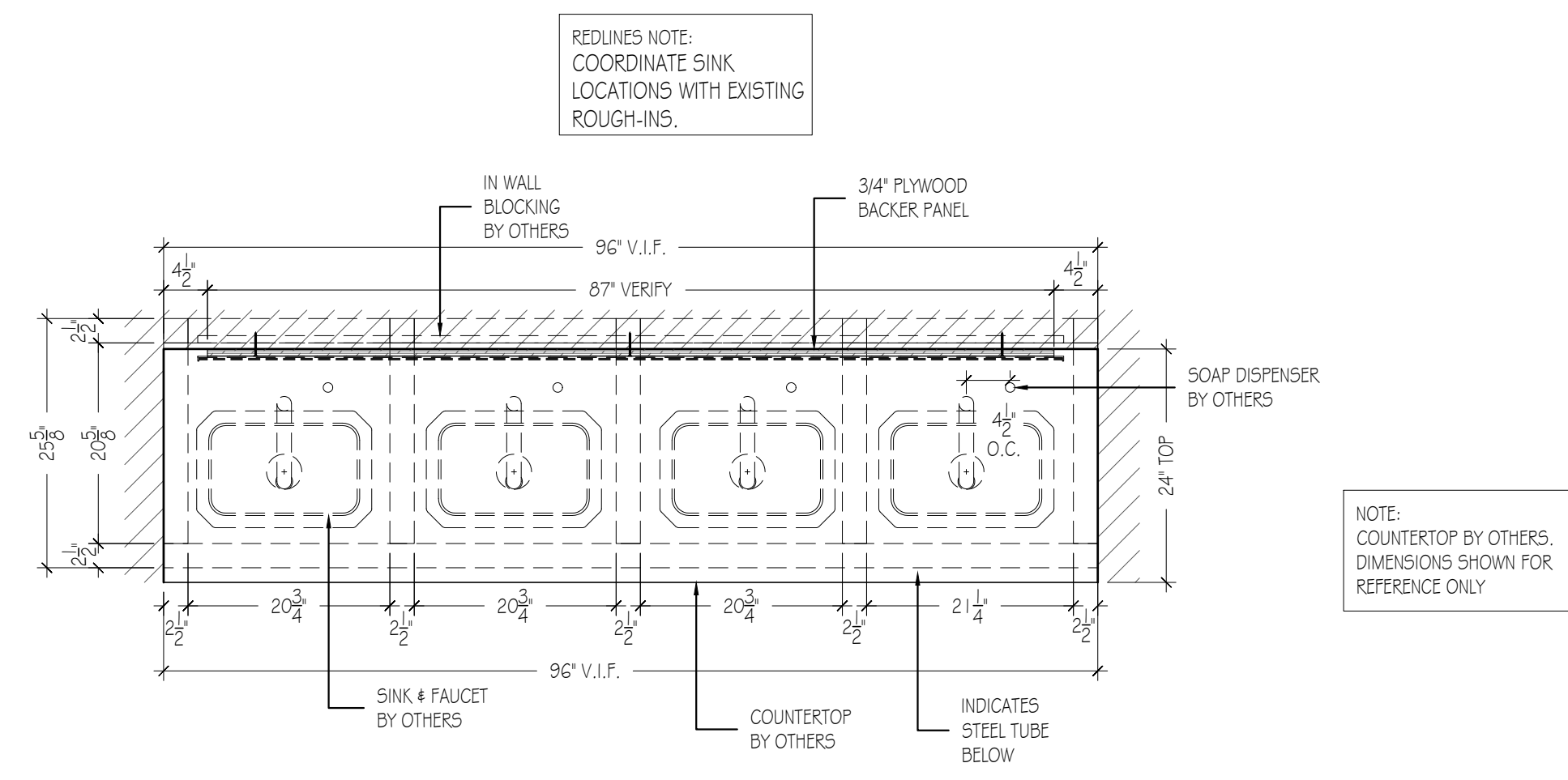
ISSUE	DATE	ISSUE NOTES

REV	DATE	REVISION NOTES	BY
1	11/18/19	REDLINES	HD

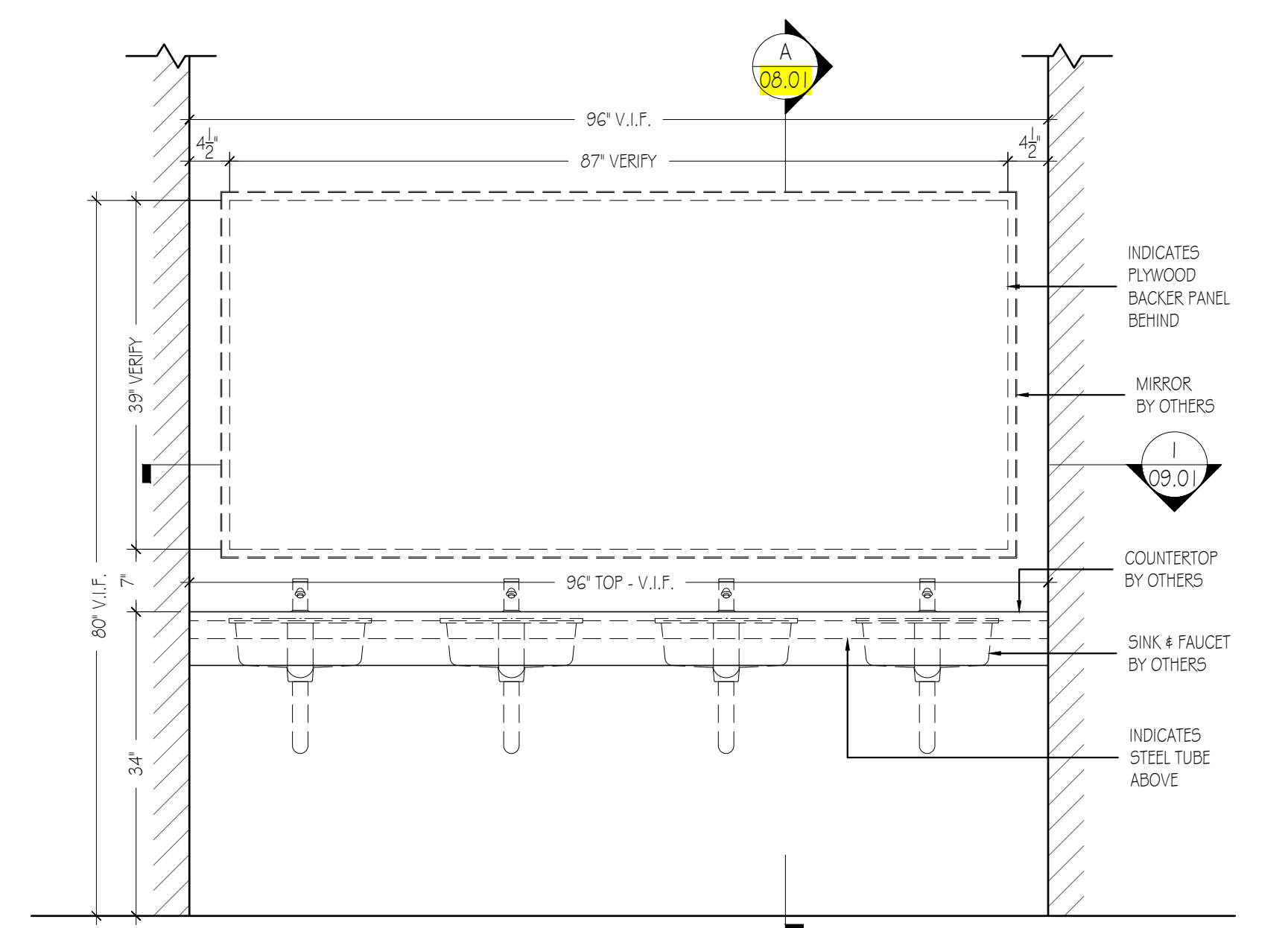
ARCHITECT: GENSLER
CONTRACTOR:
PROJECT:
New York, NY. 10022

DRAWING TITLE:
PANTRY

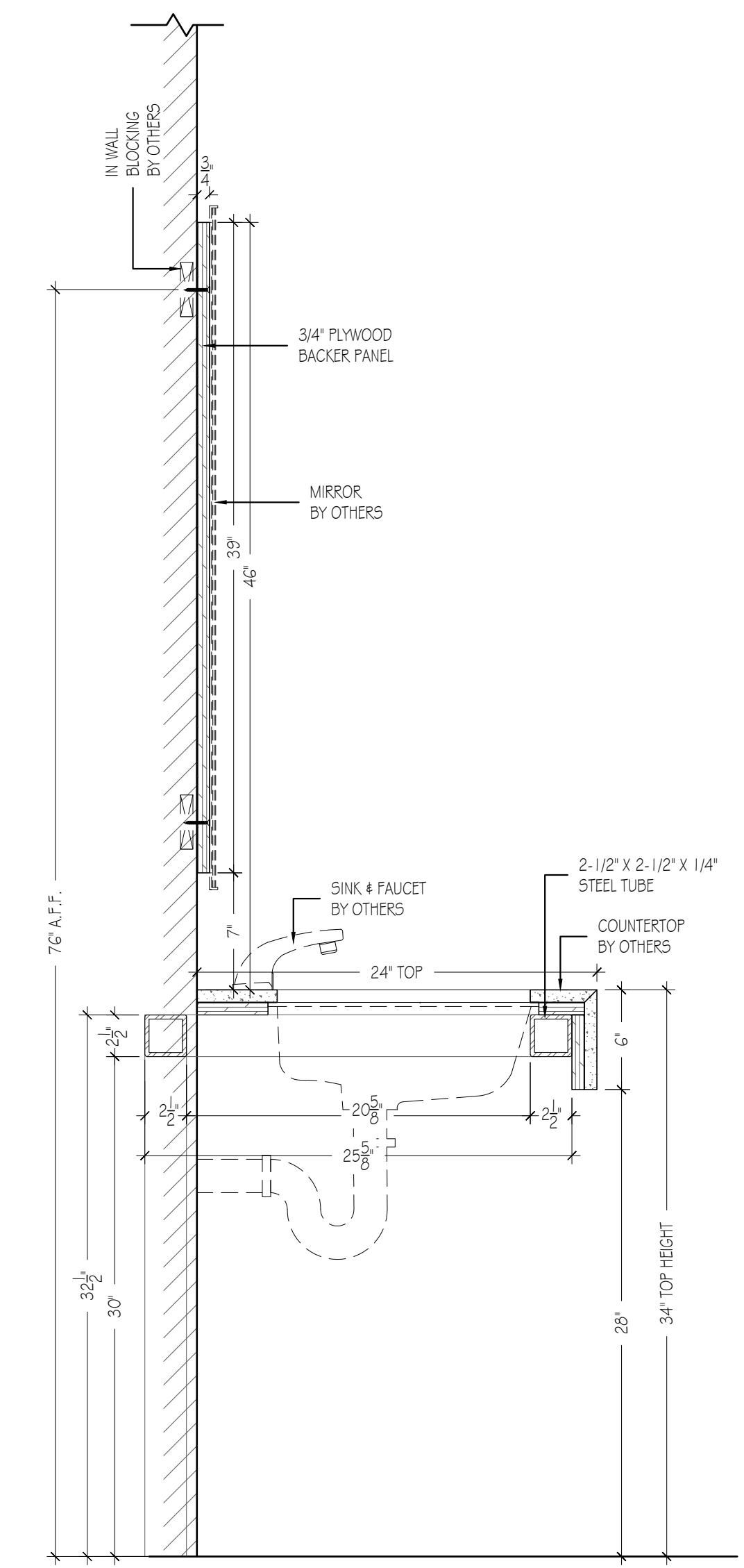
ITEM NO. 07	SPACE NO. 255	DWG. NO. 07.03
SCALE: AS NOTED	DRAWN BY: HD	DATE: 10-24-19
FLOOR NO. --	JOB NO. -----	SHEET 3 OF 3



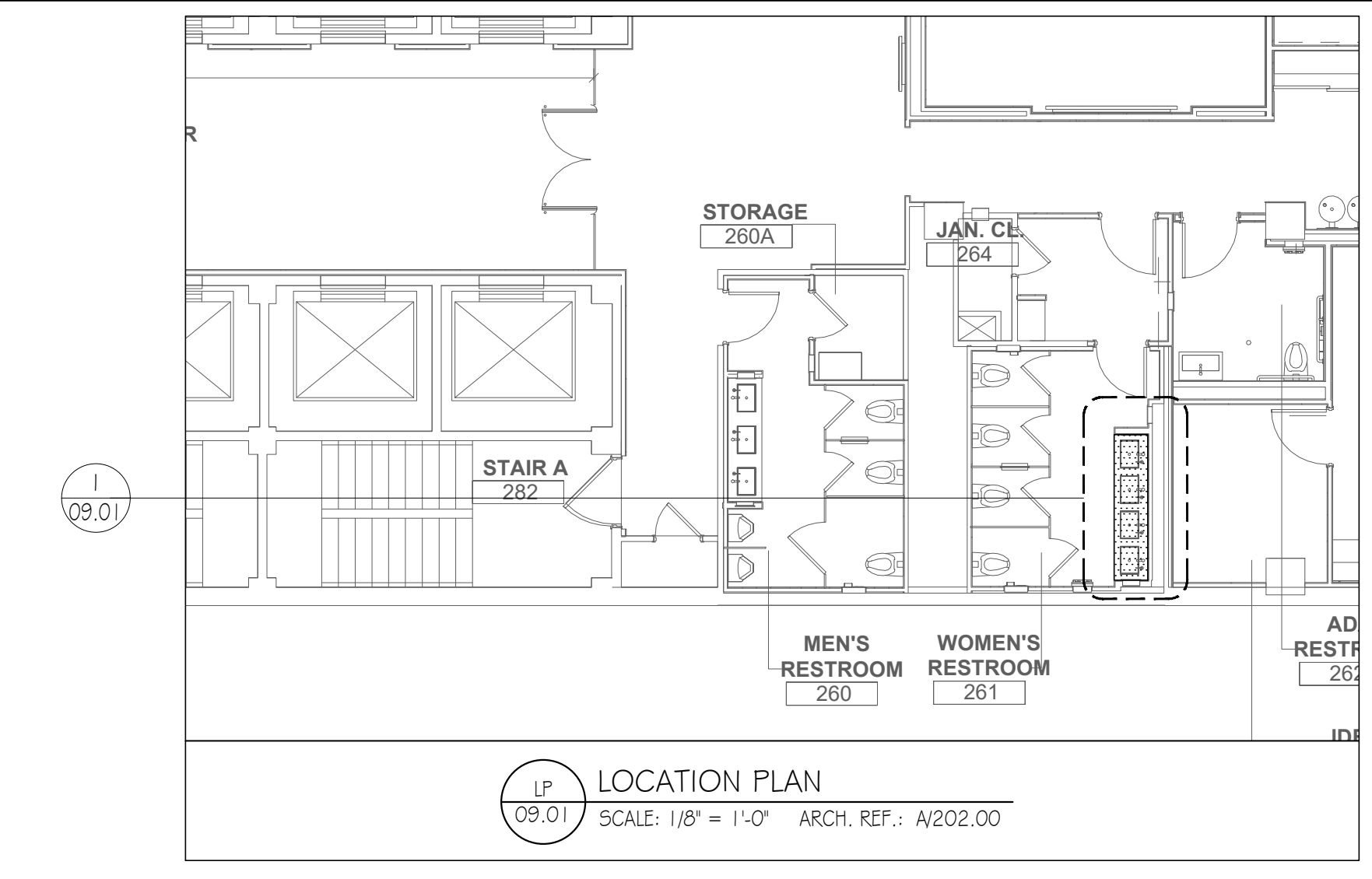
1 PLAN VIEW - WOMEN'S RESTROOM 260
SCALE: 3/4" = 1'-0" ARCH. REF.: A-202.00



2 FRONT ELEVATION - WOMEN'S RESTROOM 260
SCALE: 3/4" = 1'-0" ARCH. REF.: 3/A-800.00



A SECTION
SCALE: 1-1/2" = 1'-0" ARCH. REF.: 2/A-963.00



FINISHES				
EXTERIOR EXPOSED:				
INTERIOR EXPOSED:				
BY OTHER				
WOOD PROFILES				
PLEASE NOTE:				
WOOD PRODUCTS MUST NOT BE SUBJECTED TO ABNORMAL TEMPERATURES AND MOISTURE (AMI-T-100). HEAT AND HUMIDITY CONTROLS MUST BE OPERATIONAL AND STABILIZED PRIOR TO INSTALLATION				

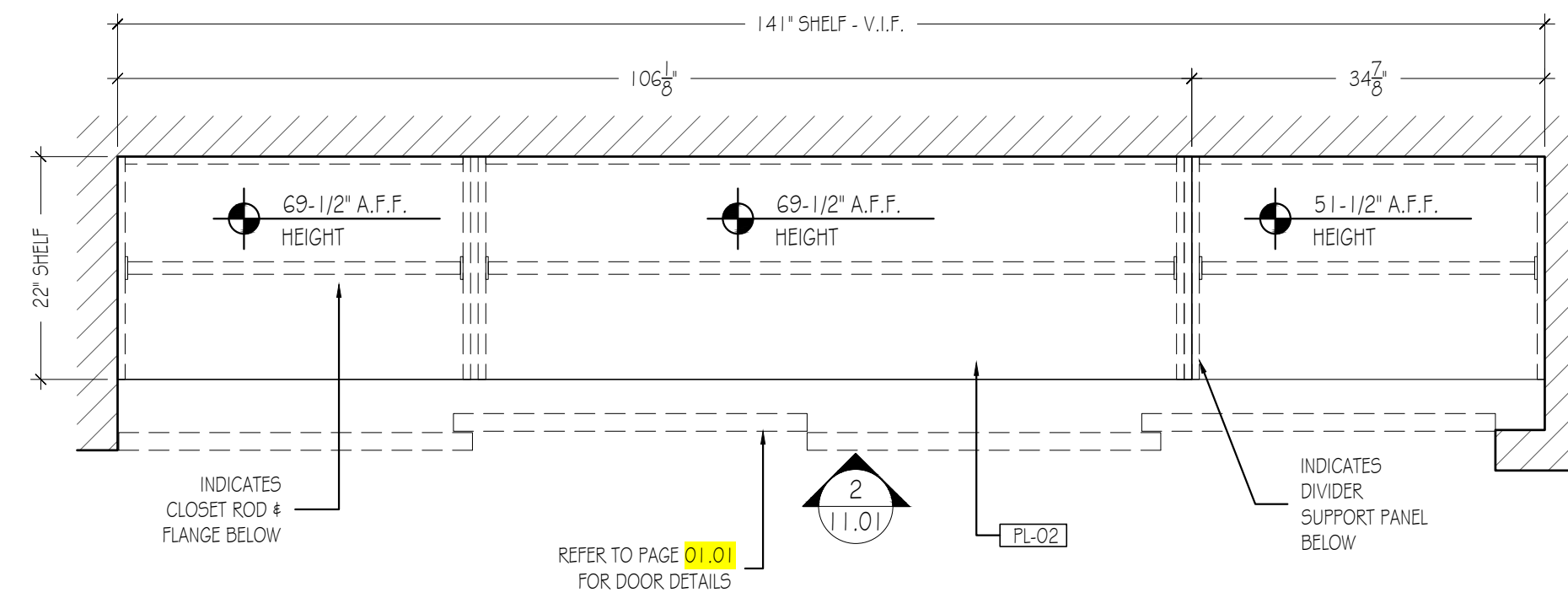
HARDWARE				
DESCRIPTION	MANUFACTURER	PRODUCT NUMBER	FINISH	REQ'D

ELEVATOR SIZES		LEGEND:
		<ul style="list-style-type: none"> ITEM NO. / DWG. NO. SEC. NO. / DWG. NO. DOOR NO. / DWG. NO. SPACE NO. ELEVATION DWG. NO.

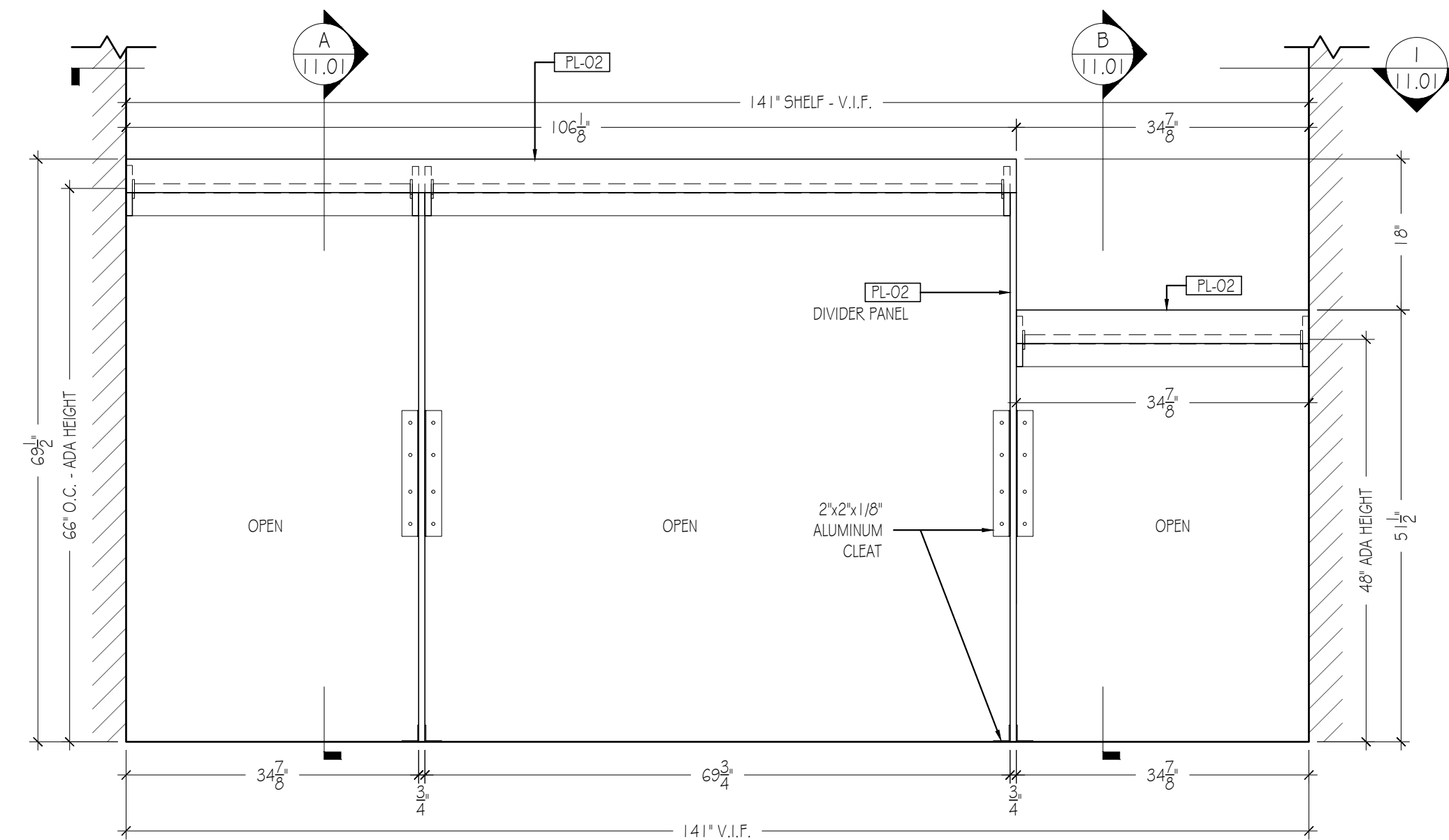
ISSUES & REVISIONS			
ISSUE	DATE	ISSUE NOTES	

REV	DATE	REVISION NOTES	BY
1	11/18/19	REDLINES	HD

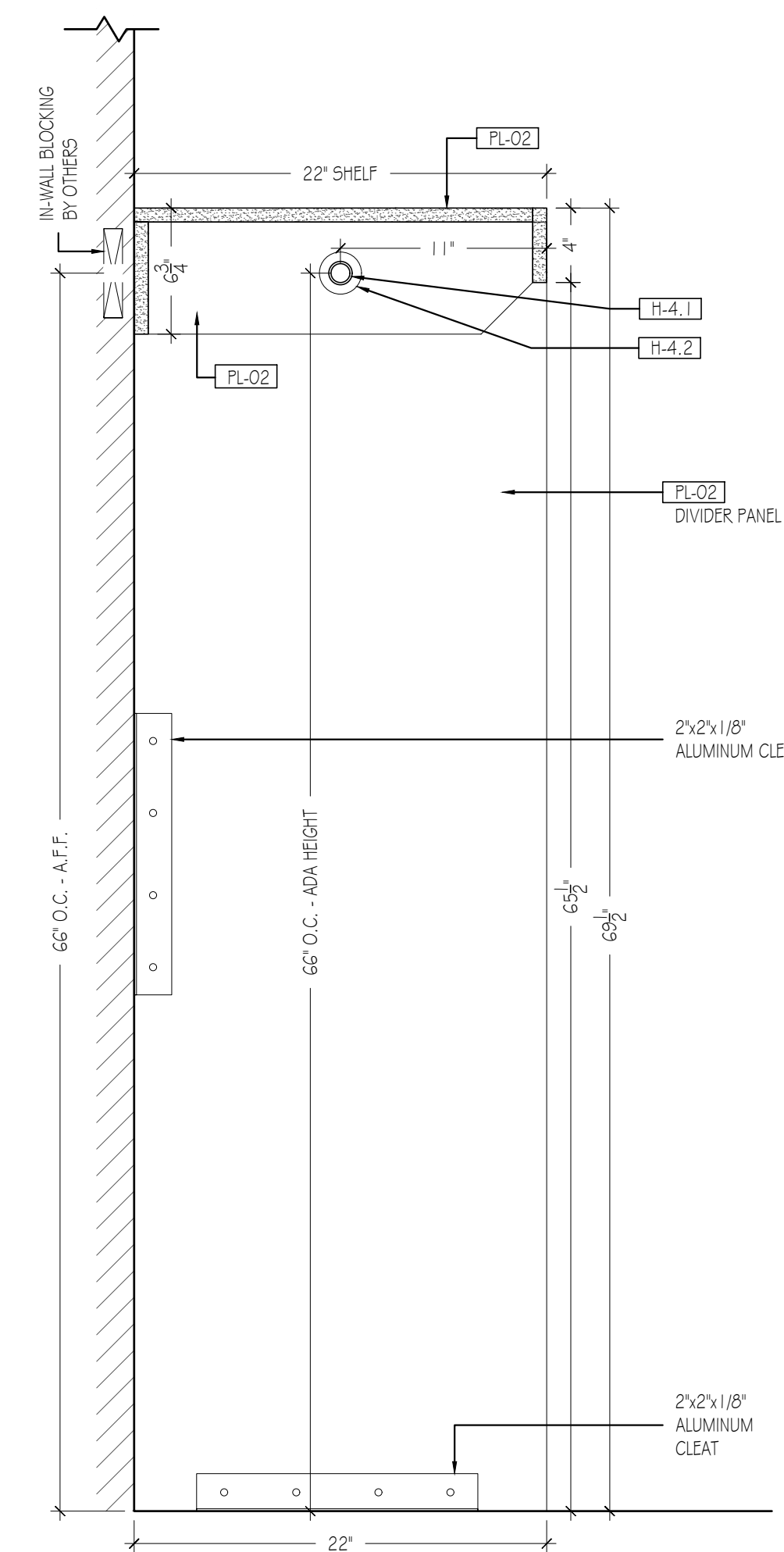
ARCHITECT: GENSLER			
CONTRACTOR:			
PROJECT:			
New York, NY. 10022			
DRAWING TITLE:			
WOMEN'S RESTROOM			
ITEM NO. 09	SPACE NO. 261	DWG. NO. 09.01	
SCALE: AS NOTED	DRAWN BY: HD	DATE: 10-24-19	SHEET 1 OF 1
FLOOR NO. --	JOB NO. -----		



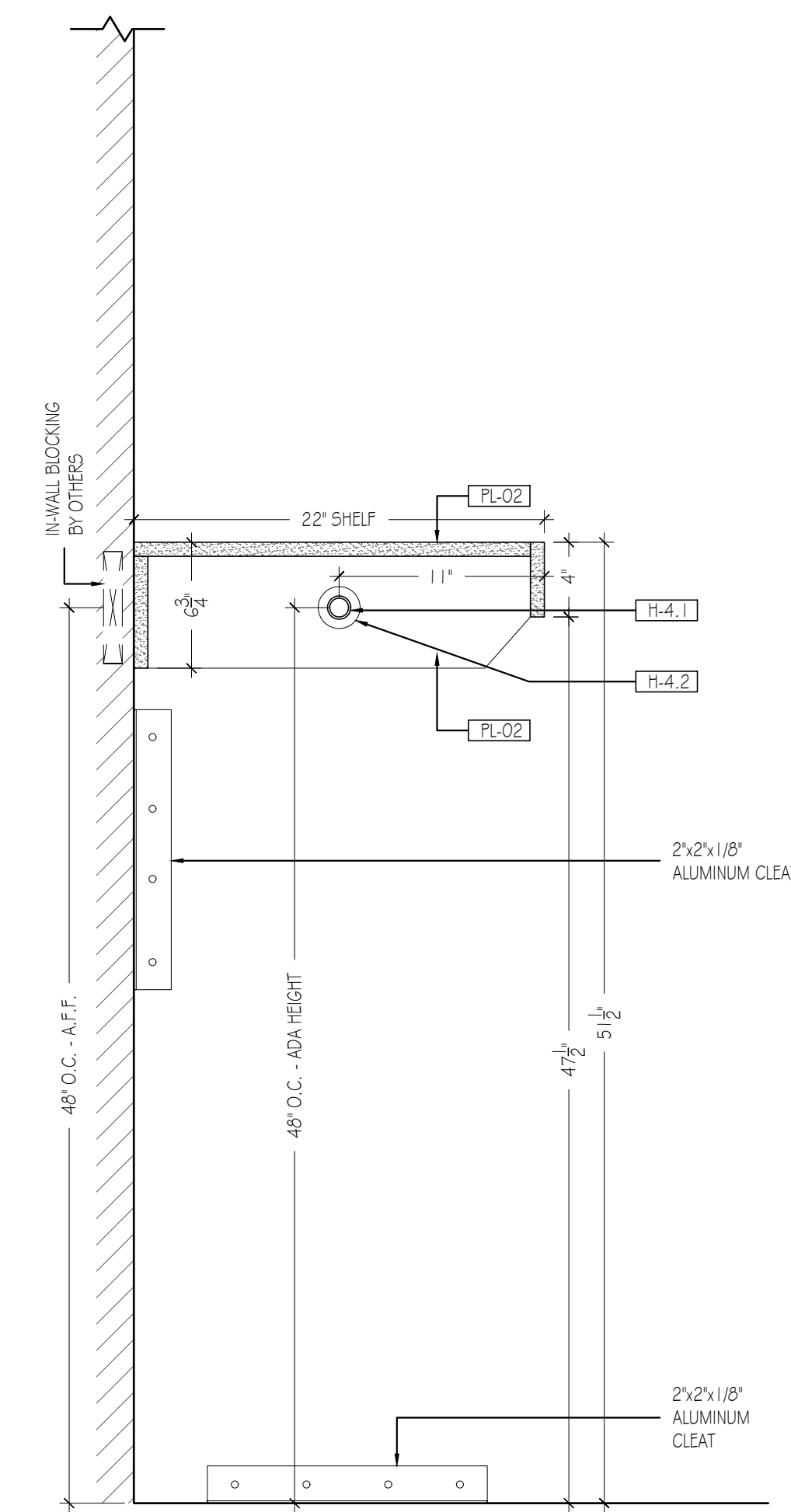
1 PLAN VIEW - COAT CLOSETS 231, 231A
SCALE: 3/4" = 1'-0" ARCH. REF.: NONE



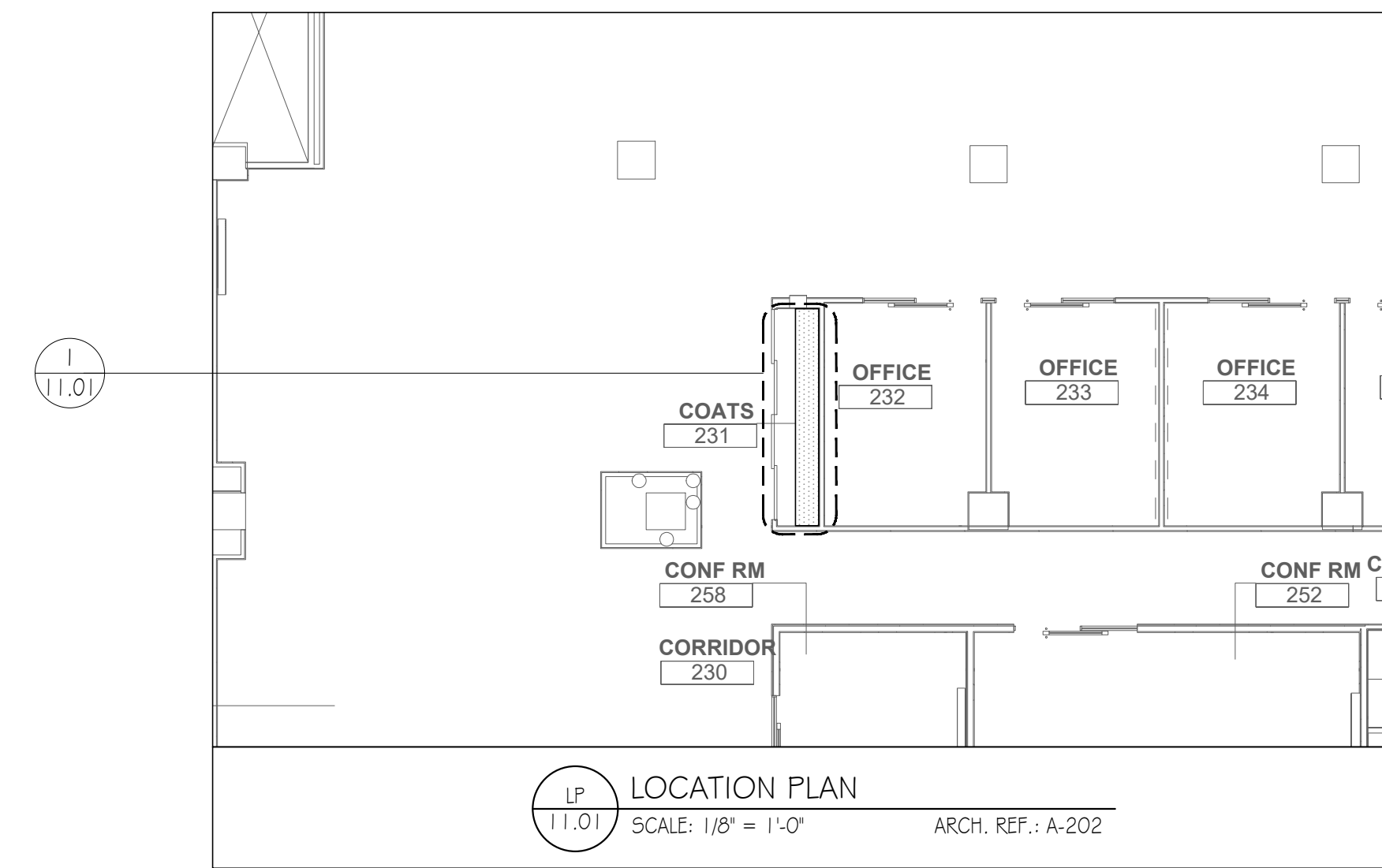
2 FRONT ELEVATION - COAT CLOSETS 231, 231A
SCALE: 3/4" = 1'-0" ARCH. REF.: NONE



A SECTION
SCALE: 1-1/2" = 1'-0" ARCH. REF.: 6/A-961.00



B SECTION
SCALE: 1-1/2" = 1'-0" ARCH. REF.: 6/A-961.00



FINISHES

EXTERIOR EXPOSED:

PL-02	PLASTIC LAMINATE - FORMICA - 933-58 MISSION WHITE, MATTE FINISH

INTERIOR EXPOSED:

BY OTHER

WOOD PROFILES

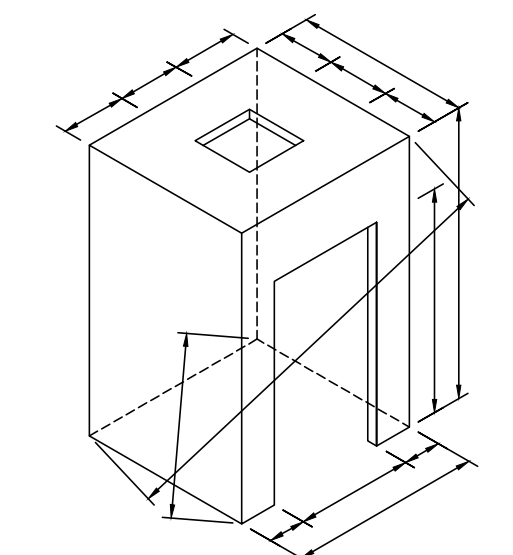
PLEASE NOTE:

WOOD PRODUCTS MUST NOT BE SUBJECTED TO ABNORMAL TEMPERATURES AND MOISTURE (AMI-T-100). HEAT AND HUMIDITY CONTROLS MUST BE OPERATIONAL AND STABILIZED PRIOR TO INSTALLATION

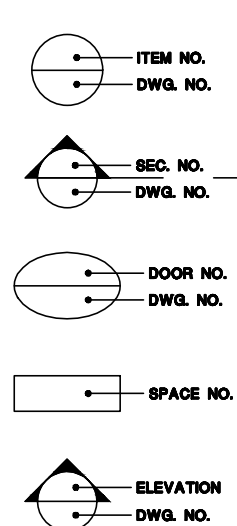
HARDWARE

DESCRIPTION	MANUFACTURER	PRODUCT NUMBER	FINISH	REQ'D
H-4.1 - TUBE	1 1/16 ROUND	KV 332 ANO	POLISHED CHROME	
H-4.2 - TUBE SUPPORT	1 1/16 ROUND	KV 332 ANO	POLISHED CHROME	

ELEVATOR SIZES



LEGEND:



ISSUES & REVISIONS

ISSUE	DATE	ISSUE NOTES

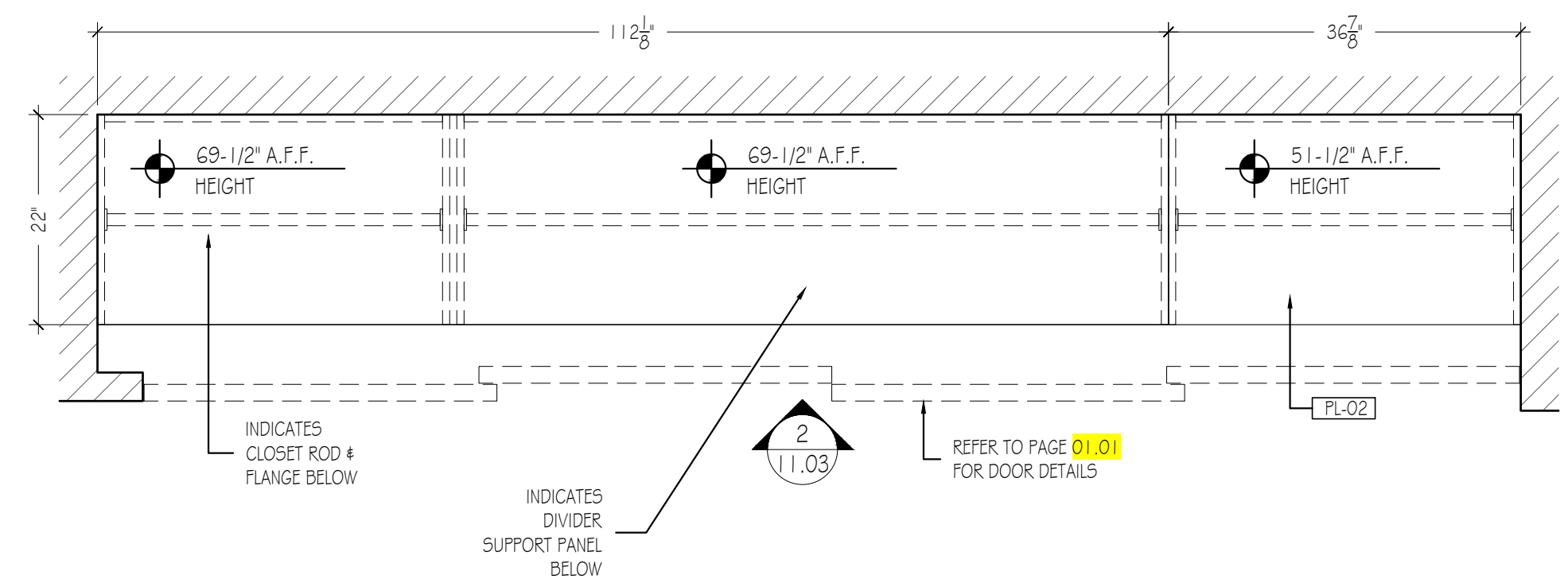
REV	DATE	REVISION NOTES	BY
1	11/18/19	REDLINES	HD

ARCHITECT: GENSLER
CONTRACTOR:
PROJECT:

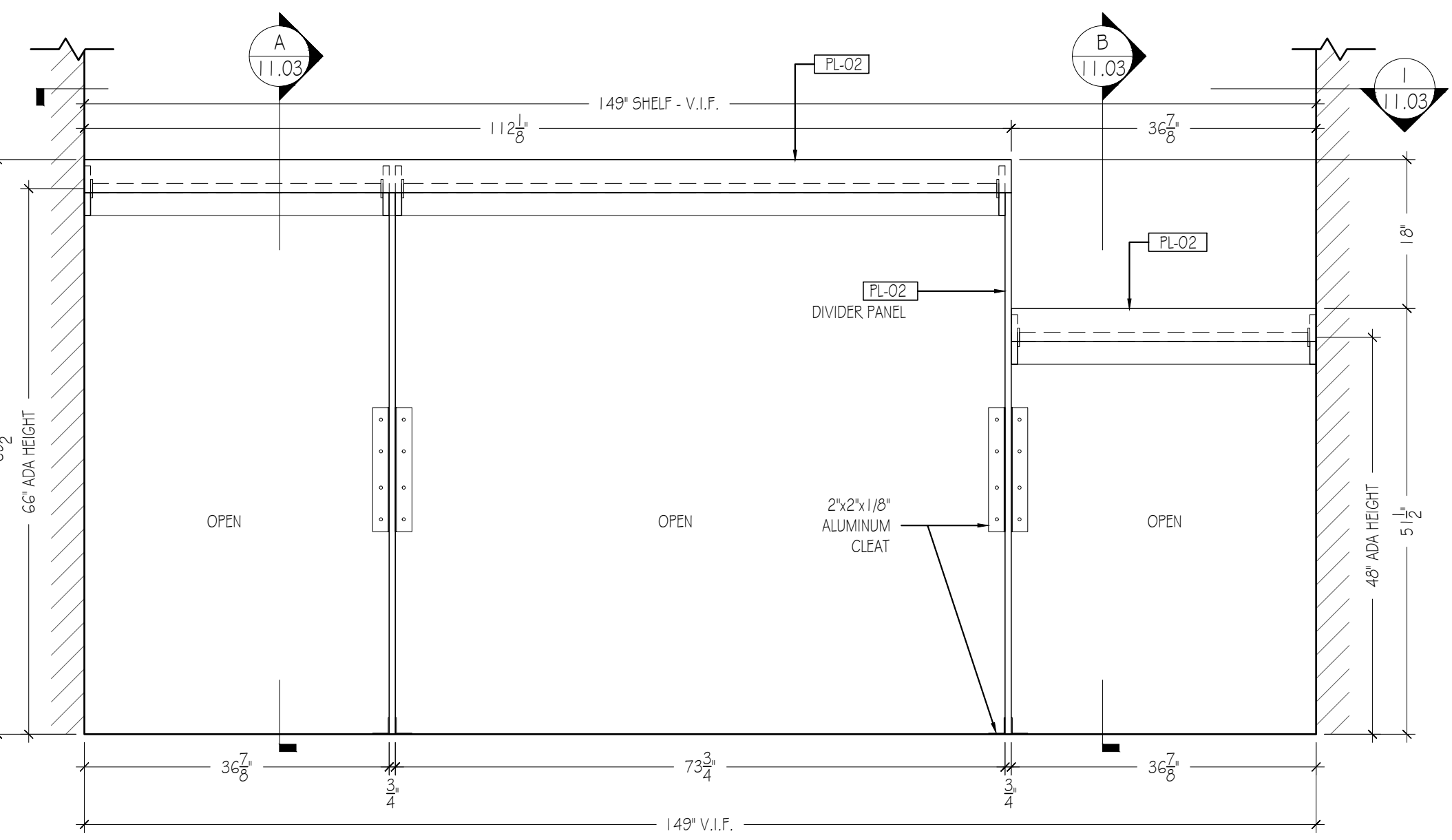
New York, NY, 10022

DRAWING TITLE:
COATS CLOSETS

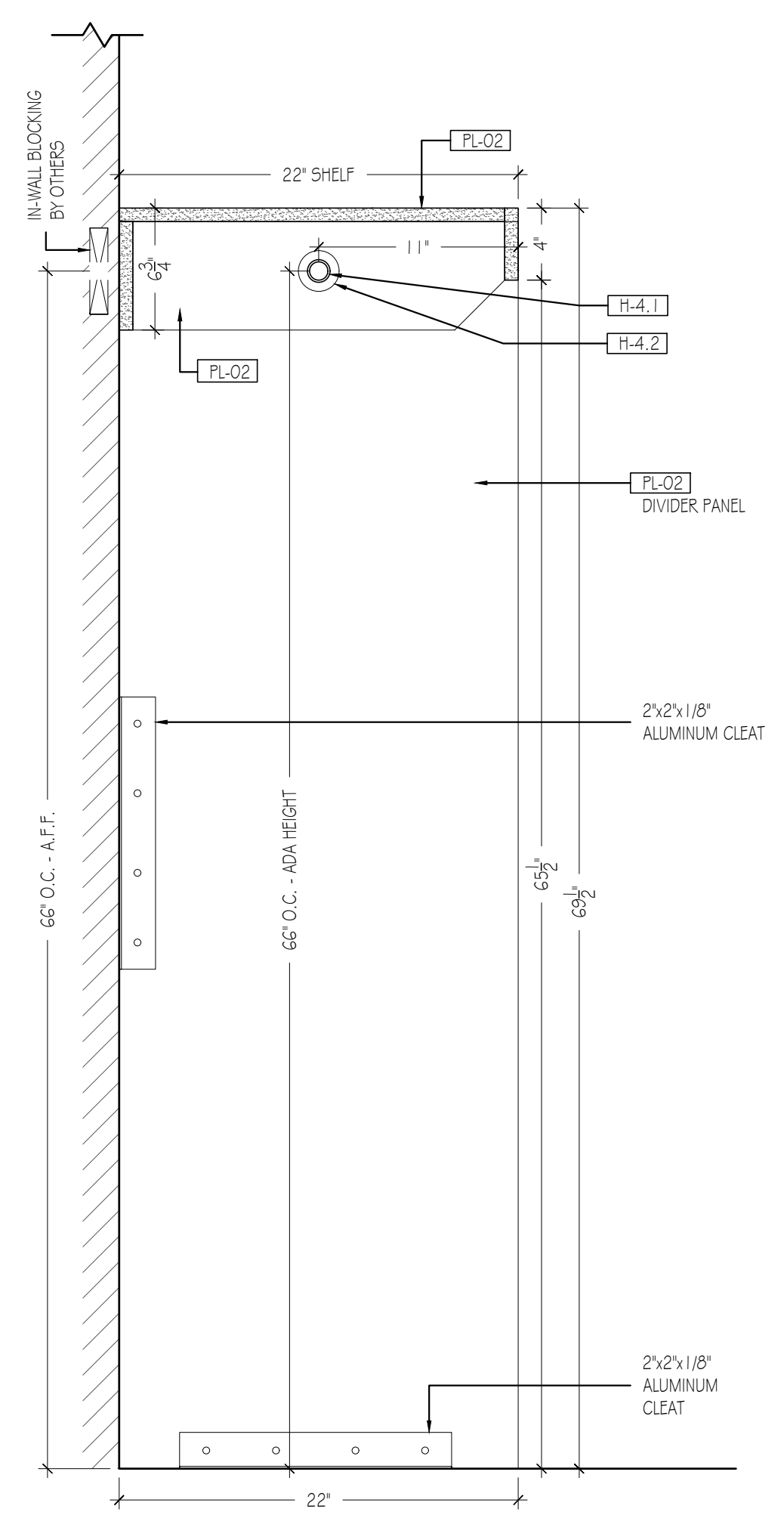
ITEM NO.	SPACE NO.	DWG. NO.
11		11.01
SCALE: AS NOTED	DRAWN BY: HD	DATE: 10-24-19
FLOOR NO. --	JOB NO. -----	
		SHEET 1 OF 4



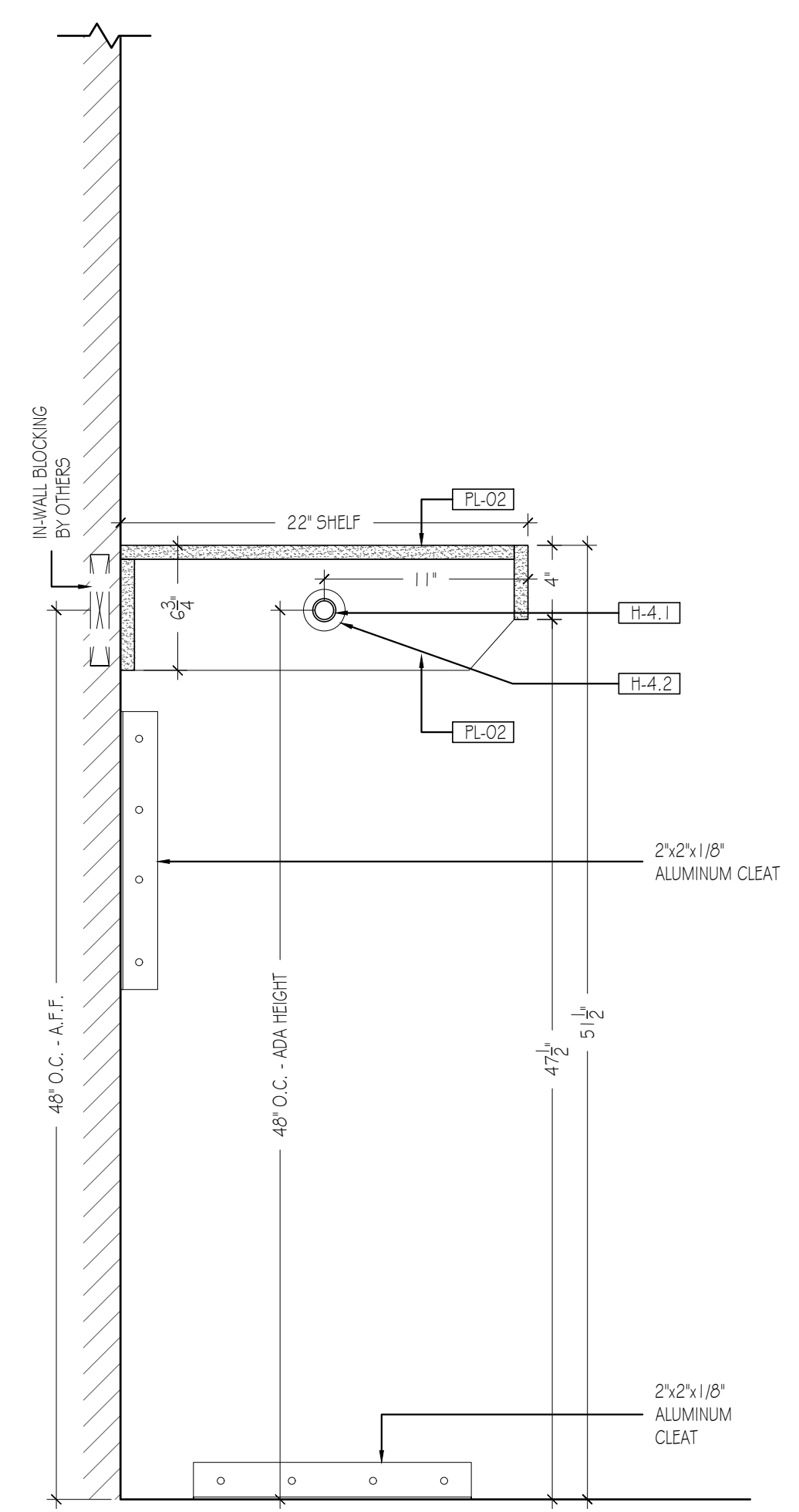
1 PLAN SECTION - COAT CLOSETS 246, 246A
SCALE: 3/4" = 1'-0" ARCH. REF.: NONE



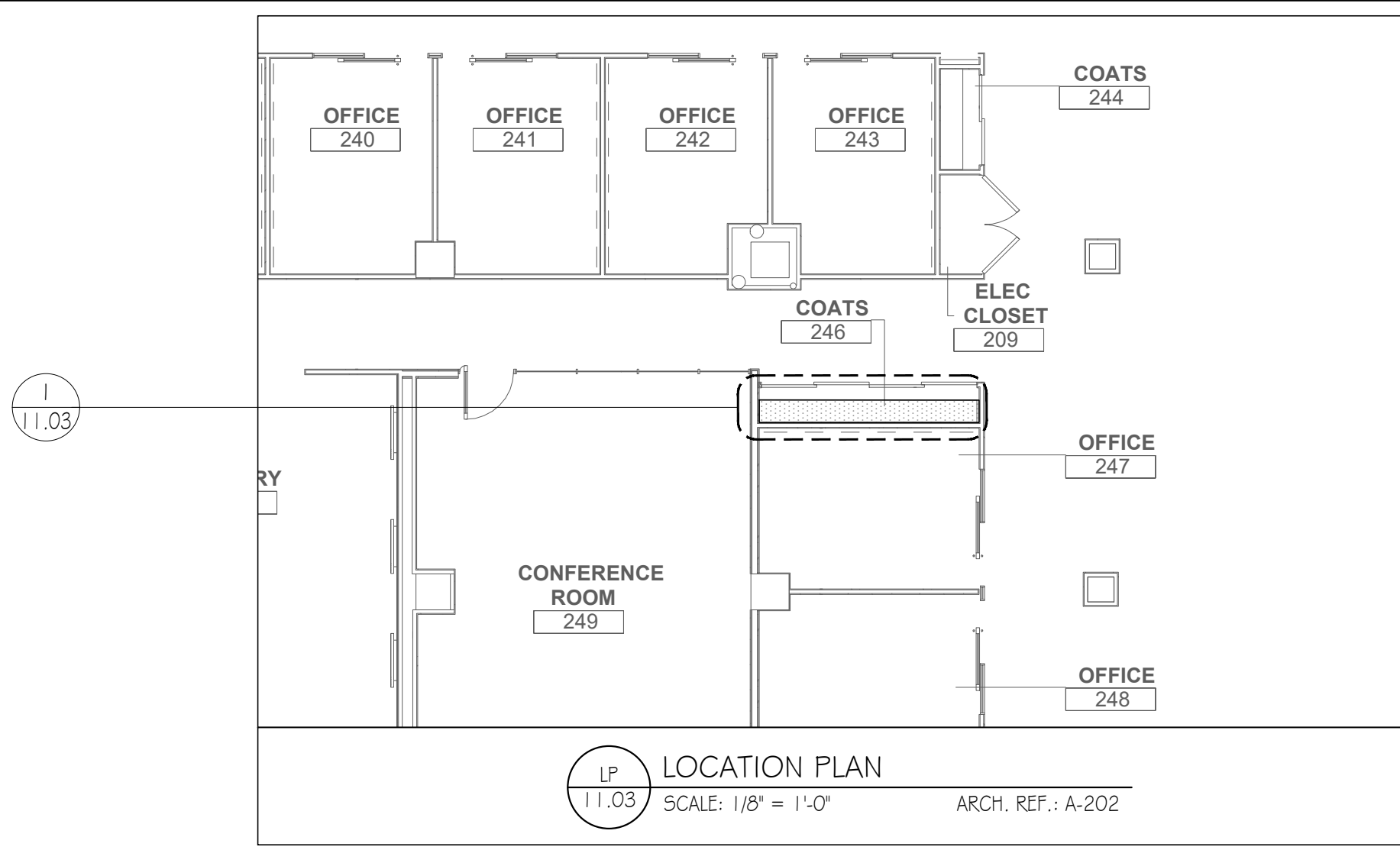
2 FRONT ELEVATION - COAT CLOSETS 246, 246A
SCALE: 3/4" = 1'-0" ARCH. REF.: NONE



A SECTION
SCALE: 1-1/2" = 1'-0" ARCH. REF.: G/A-961.00



B SECTION
SCALE: 1-1/2" = 1'-0" ARCH. REF.: G/A-961.00



FINISHES

EXTERIOR EXPOSED:
 FL-02 PLASTIC LAMINATE - FORMICA - 933-58 MISSION WHITE, MATTE FINISH

INTERIOR EXPOSED:

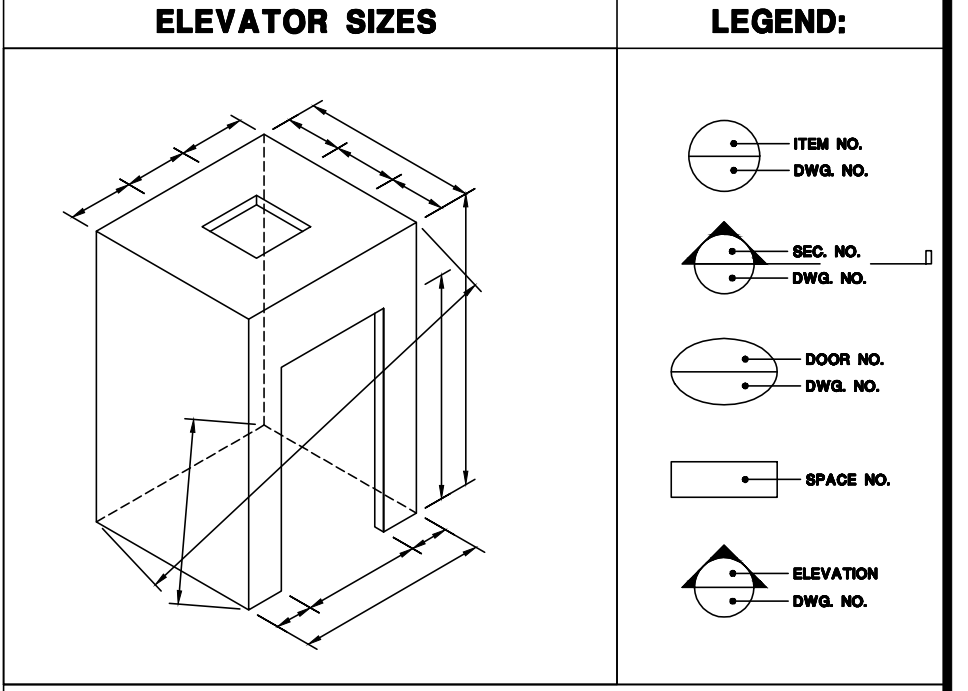
BY OTHER

WOOD PROFILES

PLEASE NOTE:
 WOOD PRODUCTS MUST NOT BE SUBJECTED TO ABNORMAL TEMPERATURES AND MOISTURE (AMI-T-100). HEAT AND HUMIDITY CONTROLS MUST BE OPERATIONAL AND STABILIZED PRIOR TO INSTALLATION

HARDWARE

DESCRIPTION	MANUFACTURER	PRODUCT NUMBER	FINISH	REQ'D
H-4.1 - TUBE	1 1/16 ROUND	KV 332 ANO	POLISHED CHROME	
H-4.2 - TUBE SUPPORT	1 1/16 ROUND	KV 332 ANO	POLISHED CHROME	



ISSUES & REVISIONS

ISSUE	DATE	ISSUE NOTES

REV	DATE	REVISION NOTES	BY
1	11/18/19	REDLINES	HD

ARCHITECT: GENSLER
 CONTRACTOR:
 PROJECT:
 New York, NY. 10022

DRAWING TITLE:
COATS CLOSETS

ITEM NO.	SPACE NO.	DWG. NO.
11		11.03

SCALE: AS NOTED
 DRAWN BY: HD
 DATE: 10-24-19
 FLOOR NO.:
 JOB NO.:
 SHEET 3 OF 4

