

MAUI BAY VILLAS

DRAWING INDEX		
SERIES	DRAWING NAME	PAGES
CS.1	COVER SHEET	1
FP.1	FLOOR PLANS	8
101.1	WOOD SLATS @ CLUBHOUSE ENTRY LOBBY	3
102.1	DECORATIVE SCREENS @ CLUBHOUSE CONCIERGE-LOUNGE	2
103.1	WALL PANELING @ CLUBHOUSE BEHIND FRONT DESK	6
104.1	FRONT DESK @ CLUBHOUSE FRONT DESK	3
105.1	SIDE CABINET @ CLUBHOUSE FRONT DESK	1
106.1	TV MEDIA WALL @ CLUBHOUSE BUSINESS CENTER-LOUNGE	2
107.1	CASED OPENINGS @ CLUBHOUSE ENTRY TO RESTROOM	1
108.1	DOOR CASING @ CLUBHOUSE RR ALCOVE	1
109.1	DOOR CASING @ CLUBHOUSE RR ALCOVE	1
110.1	VANITY @ CLUBHOUSE WOMEN'S RESTROOM	1
111.1	VANITY @ CLUBHOUSE WOMEN'S RESTROOM	1
112.1	CEILING BEAMS @ CLUBHOUSE	5
121.1	BAKERY DISPLAY @ GRAB AND GO	2
122.1	POS STATION @ GRAB AND GO	1
123.1	SERVICE COUNTER @ GRAB AND GO	1
124.1	REACH IN COOLER NICHE @ GRAB AND GO	2
125.1	FREEZER NICHE @ GRAB AND GO	2
126.1	CASING @ DOORS @ GRAB AND GO	1
131.1	NORTH SERVICE COUNTER	2
132.1	EAST SERVICE COUNTER	3
133.1	POS STATION	6
134.1	SUPPORT COLUMNS	3
141.1	BUFFET MILLWORK	2
142.1	DOOR CASING	2
143.1	WALL PANELING	4
151.1	MILLWORK @ BANQUETTE	2
161.1	BENCH SEAT	1
162.1	BASE CABINET W/WOOD OLANKS ABOVE ON WALL	2
163.1	FISH SHAPED TABLE	2
164.1	VALANCE	1
165.1	CONCEALED LED SHADE VALANCE	1
166.1	VANITY @ RESTROOM	1
167.1	TV-ART WORK WALL @ TEEN CENTER	3
168.1	VALANCE @ TEEN CENTER	1
181.1	VANITY @ WOMEN'S RR	1
182.1	CASING @ WOMEN'S RR	1
183.1	VANITY @ MEN'S RR	1
184.1	CASING @ MEN'S RR	1
191.1	POOL BAR @ CLUBHOUSE	5
201.1	STORAGE @ BEACH EQUIP CONCESSION	2
202.1	VANITY @ MEN'S AND WOMEN'S RESTROOM	2
203.1	ISLAND COUNTER	2
204.1	CONCESSION COUNTER	1
205.1	BAR	4
210.1	RAFTER T&G WOOD CEILING @ PORTE COCHERA	3
211.1	T&G WOOD CEILING	2
212.1	SERPENTINE WOOD BENCH, PLANTER, & WALL NICHE PANELING	3
213.1	DRIFTWOOD PANELING	3
214.1	DECORATIVE WOOD GRILL	2
220.1	BREAK ROOM 114	2
221.1	VANITY @ WOMEN'S AND MEN'S LOCKERS 110B & 117B	1
TOTAL		117

REVISIONS	BY

COVER SHEET

PROJECT
MAUI BAY VILLAS
LOCATION
KIHEI, MAUI, HAWAII

DRAWN	HD
CHECKED	RT
DATE	10/10/2019
SCALE	AS NOTED
JOB NO.	
SHEET	CS.1
1 of 1	



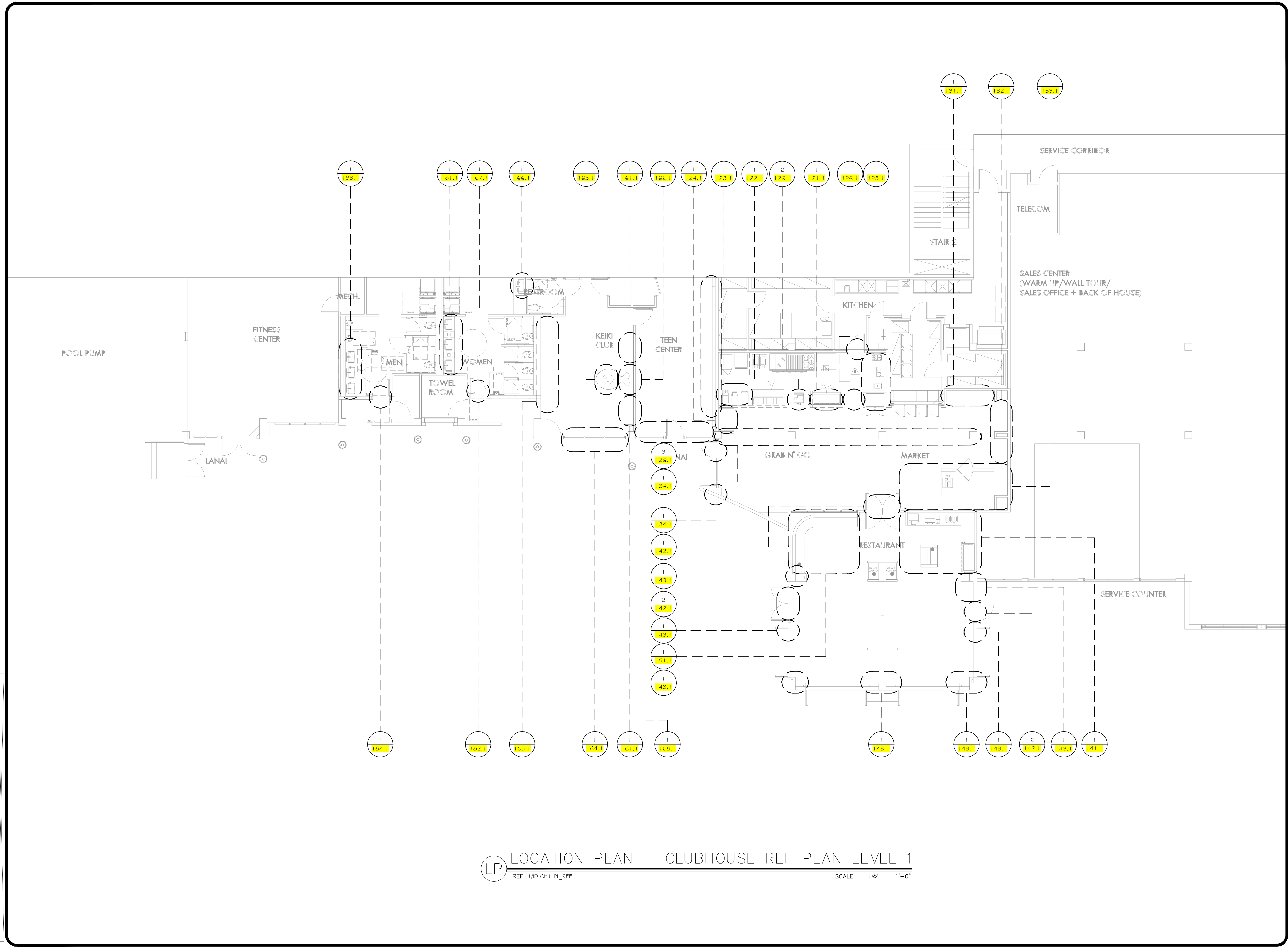
LP LOCATION PLAN – LEVEL 1
 REF: 1/AL-101 SCALE: 1/8" = 1'-0"

REVISIONS	BY

FLOOR PLAN
LEVEL 1

PROJECT
MAUI BAY VILLAS
 LOCATION
KIHEI, MAUI, HAWAII

DRAWN	HD
CHECKED	RT
DATE	
SCALE	AS NOTED
JOB NO.	
2129	
SHEET	FP.1
1 of 8	



LP LOCATION PLAN – CLUBHOUSE REF PLAN LEVEL 1
 REF: 1/1D-CH1-PL_REF SCALE: 1/8" = 1'-0"

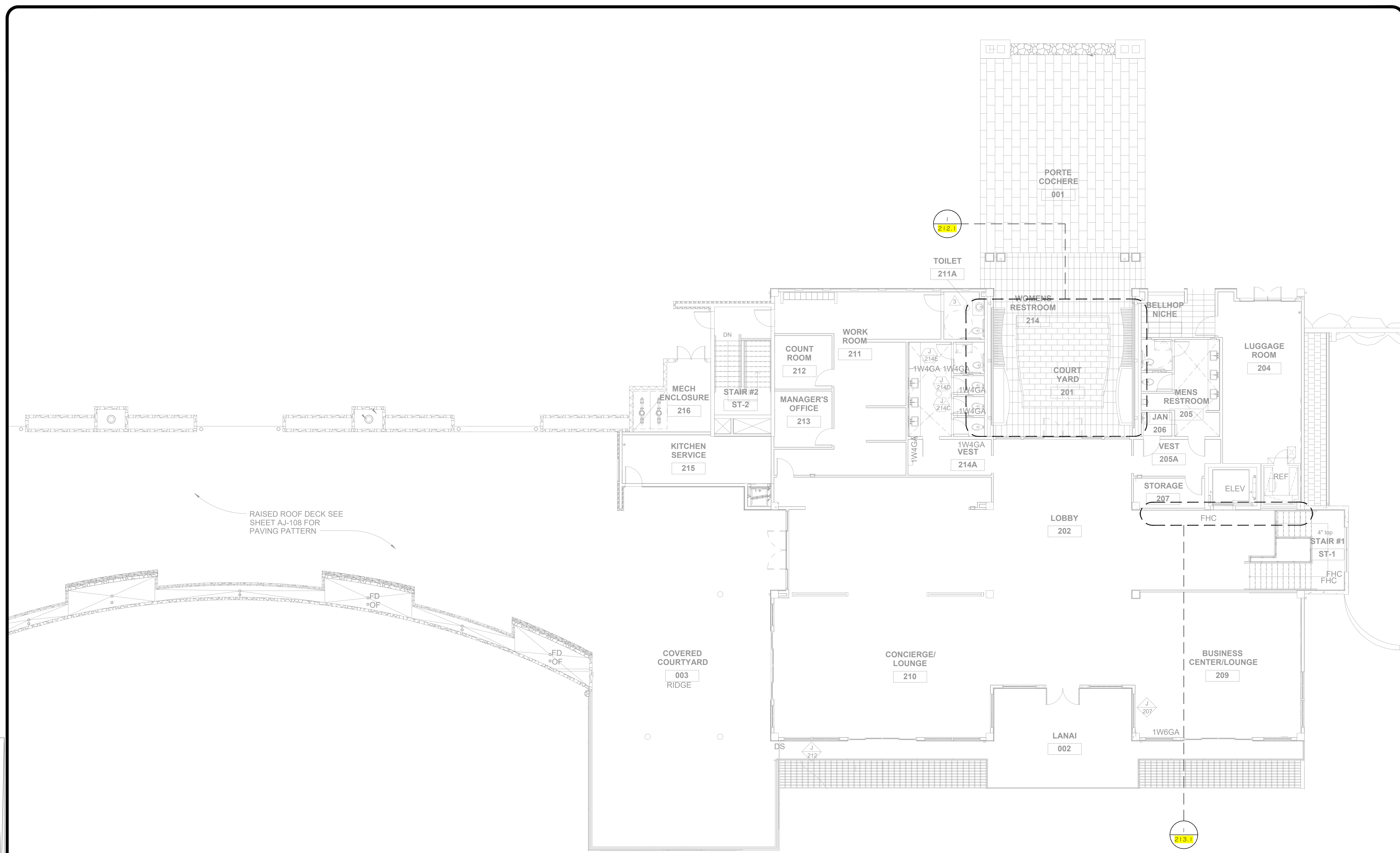
REVISIONS	BY

FLOOR PLAN
LEVEL 1

PROJECT
MAUI BAY VILLAS
 LOCATION
KIHEI, MAUI, HAWAII

DRAWN	HD
CHECKED	RT
DATE	10/10/2019
SCALE	AS NOTED
JOB NO.	2129
SHEET	FP.2
2 of 8	

REVISIONS	BY



RAISED ROOF DECK SEE SHEET AJ-108 FOR PAVING PATTERN

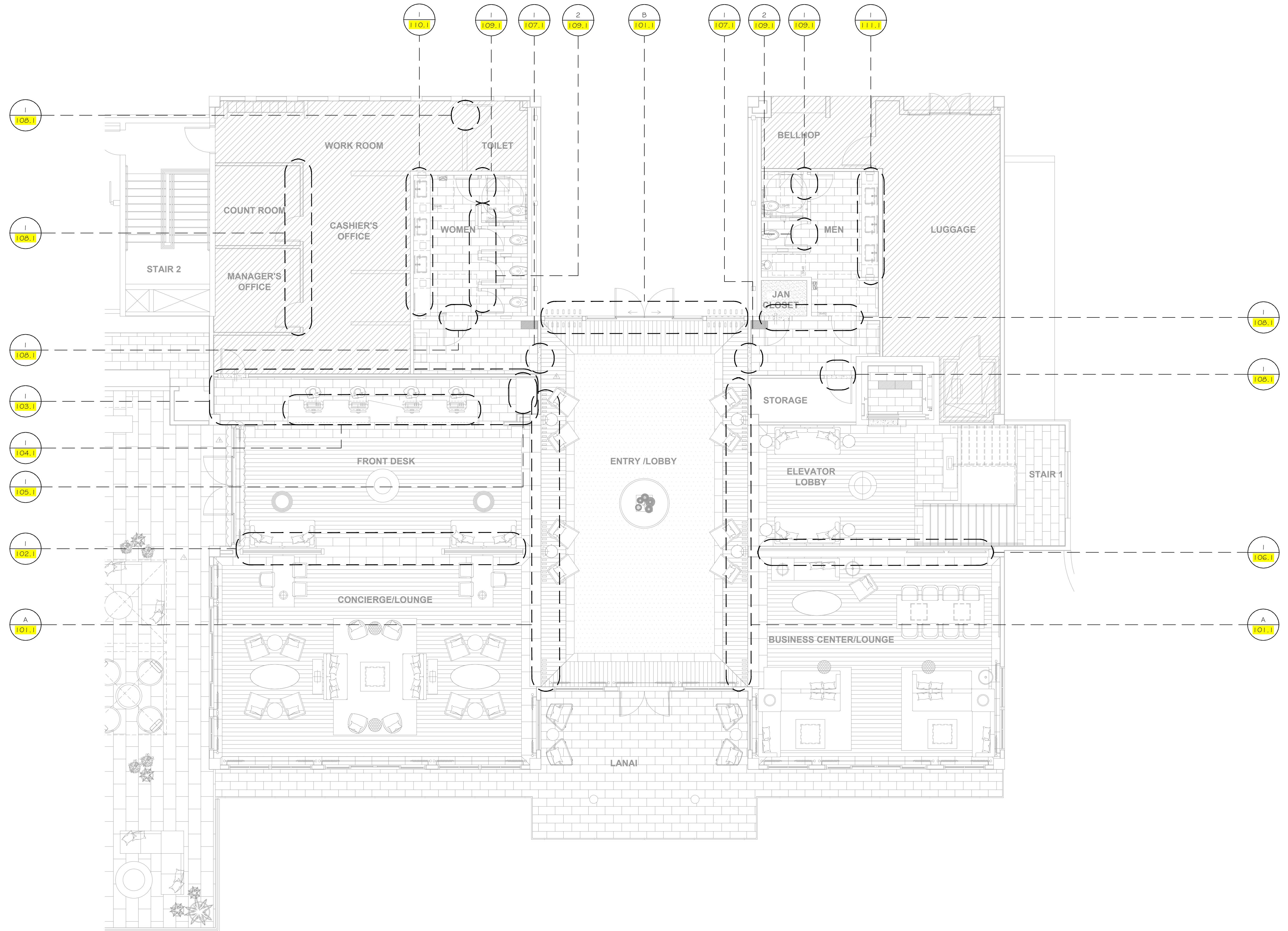
LP LOCATION PLAN – CLUBHOUSE REF PLAN LEVEL 2
 REF: 1/D-CH2-PL_REF SCALE: 1/8" = 1'-0"

ITEM

FLOOR PLAN
LEVEL 2

PROJECT
MAUI BAY VILLAS
 LOCATION
KIHEI, MAUI, HAWAII

DRAWN	HD
CHECKED	RT
DATE	10/10/2019
SCALE	AS NOTED
JOB NO.	2129
SHEET	FP.3
3 of 8	



LP LOCATION PLAN – CLUBHOUSE FF&FC PLAN LEVEL 2
 REF: 1/ID-CH2-PL_FF&FC-1 SCALE: 1/8" = 1'-0"

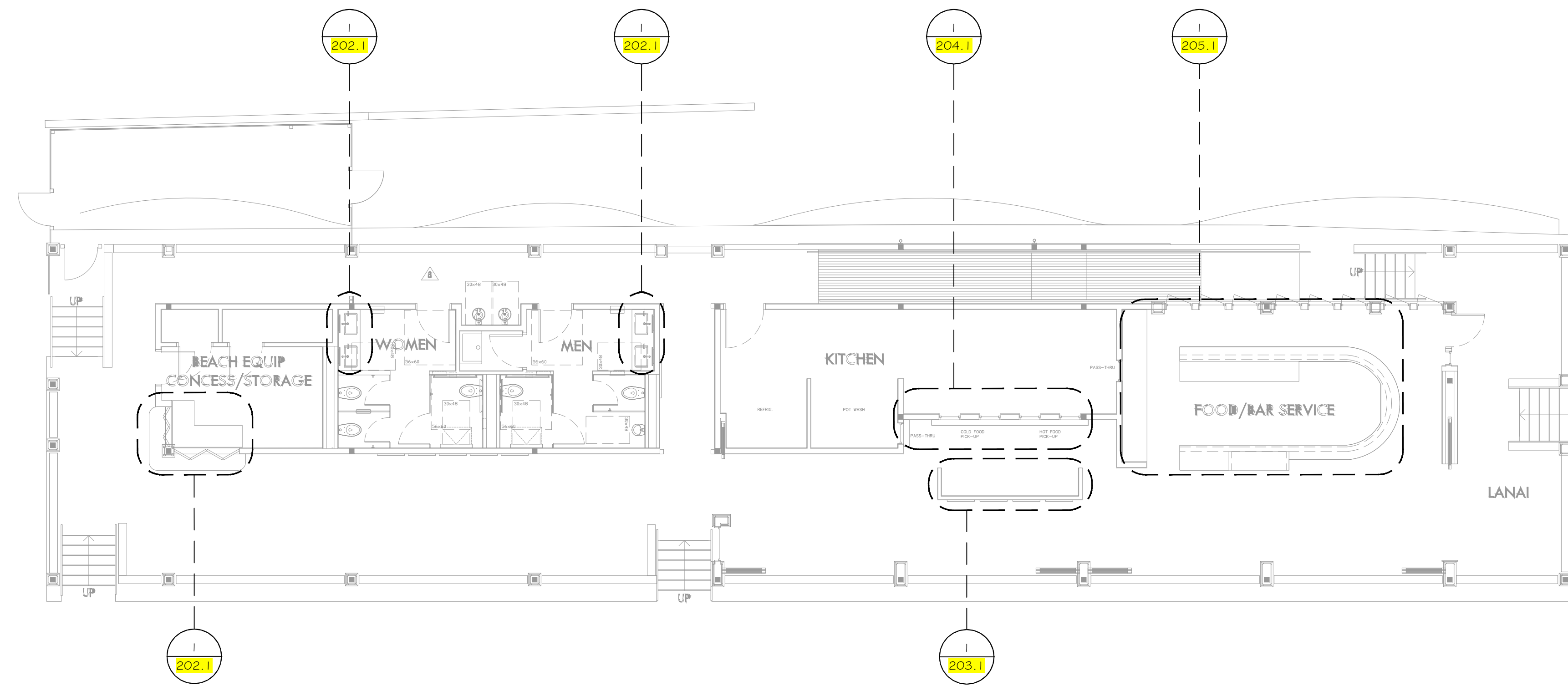
REVISIONS	BY

PROJECT
MAUI BAY VILLAS

LOCATION
KIHEI, MAUI, HAWAII

ITEM
 FLOOR PLAN
 LEVEL 2

DRAWN	HD
CHECKED	RT
DATE	10/10/2019
SCALE	AS NOTED
JOB NO.	2129
SHEET	FP.4
4 of 8	



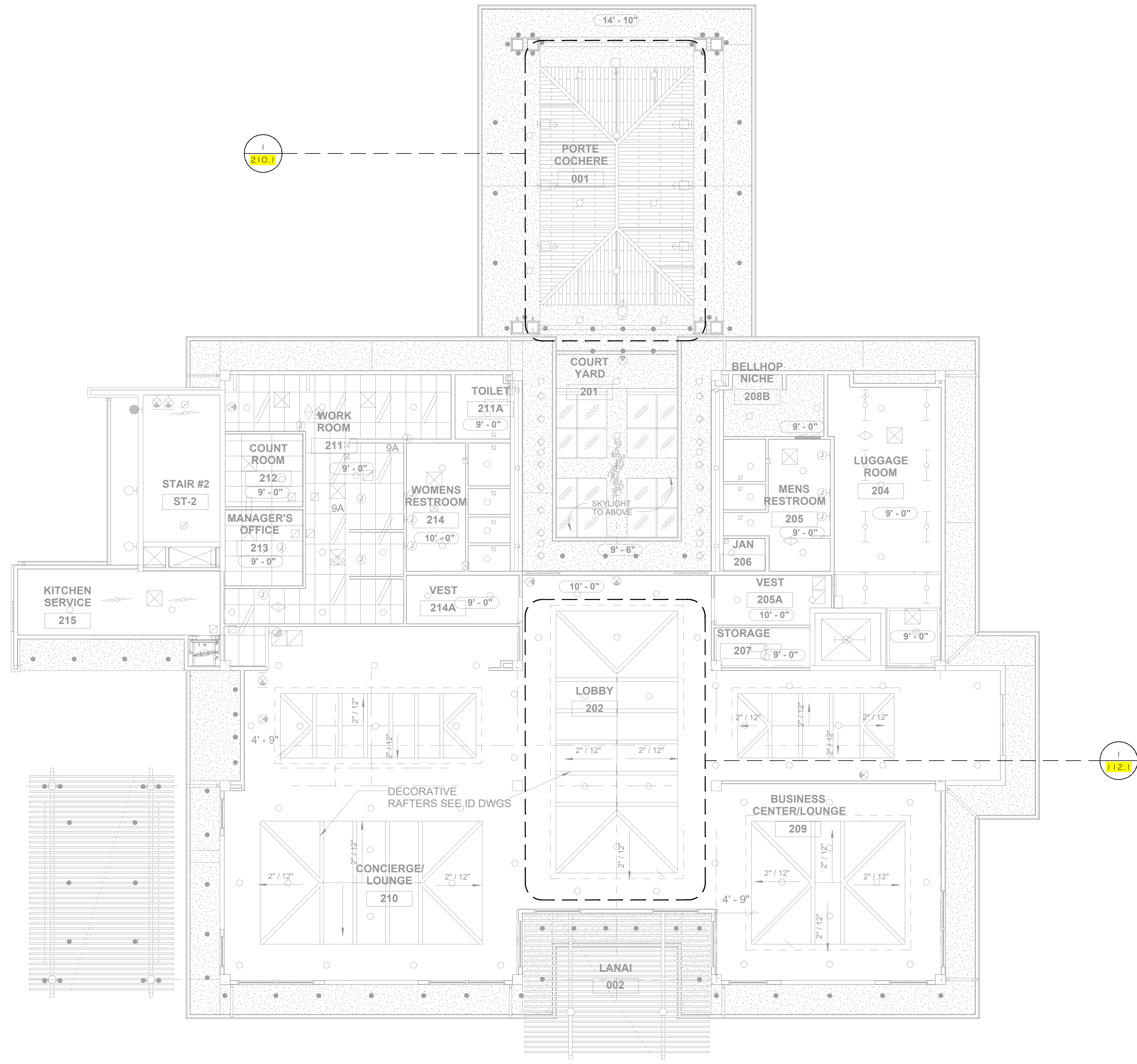
LP
LOCATION PLAN – BEACH CLUB FF & FC PLAN
 REF: 1/10-BC-PL_FF&FC-1 SCALE: 1/8" = 1'-0"

REVISIONS	BY

FLOOR PLAN
LEVEL 2

PROJECT **MAUI BAY VILLAS**
LOCATION **KIHEI, MAUI, HAWAII**

<small>DRAWN</small>	HD
<small>CHECKED</small>	RT
<small>DATE</small>	10/10/2019
<small>SCALE</small>	AS NOTED
<small>JOB NO.</small>	2129
<small>SHEET</small>	FP.5
<small>5 of 8</small>	



LP LOCATION PLAN - RCP
 REF: 1/AJ-105 SCALE: 1/8" = 1'-0"

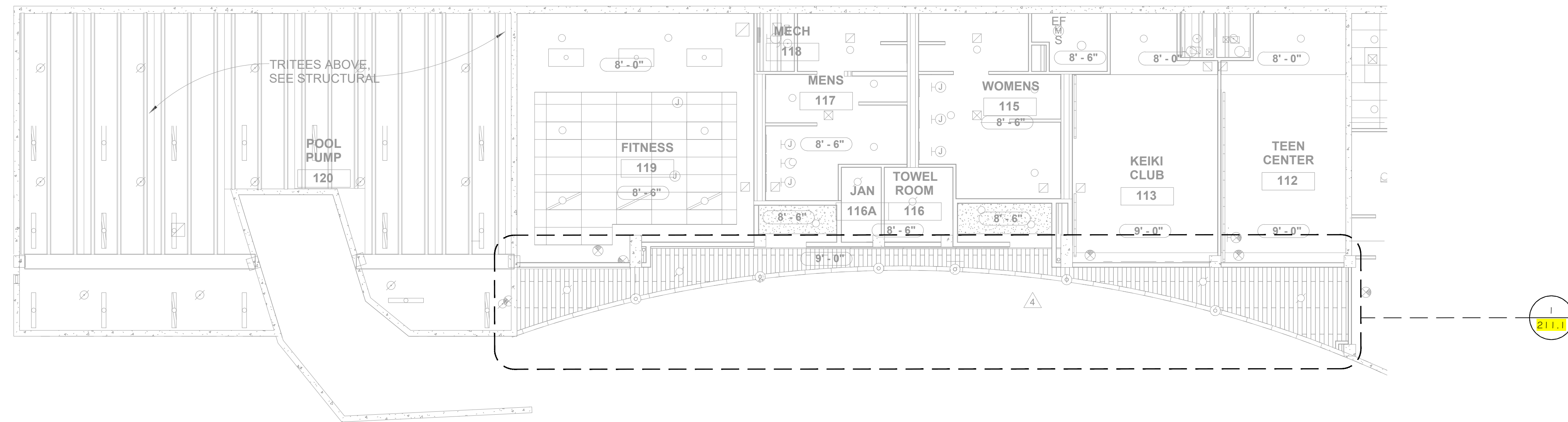
REVISIONS	BY

ITEM FLOOR PLAN RCP

PROJECT MAUI BAY VILLAS
 LOCATION KIHEI, MAUI, HAWAII

DRAWN	HD
CHECKED	RT
DATE	10/10/2019
SCALE	AS NOTED
JOB NO.	2129
SHEET	FP.6
6 of 8	

REVISIONS	BY

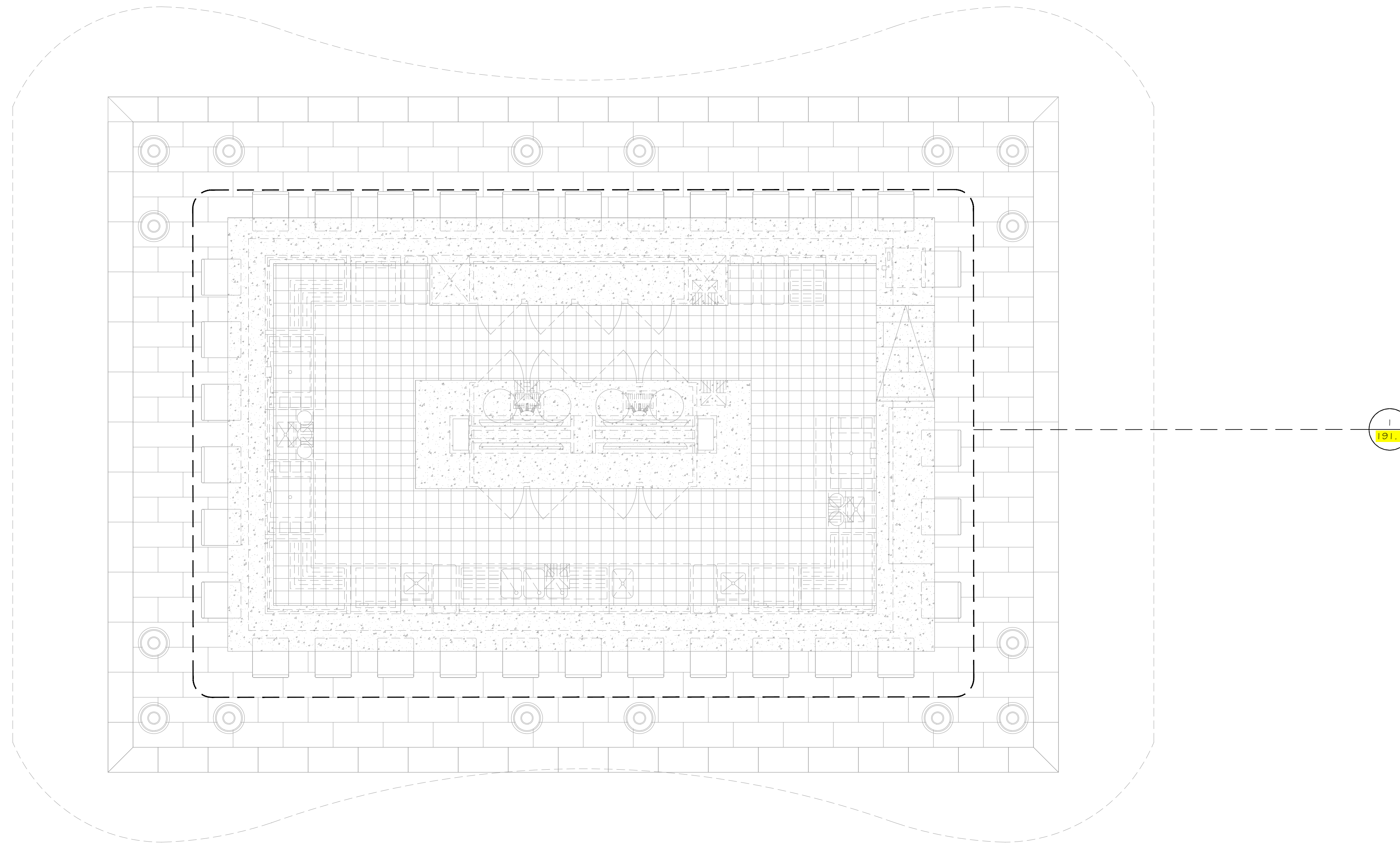


LP LOCATION PLAN - RCP
 REF: 1/AJ-107 SCALE: 1/8" = 1'-0"

FLOOR PLAN
RCP

PROJECT
MAUI BAY VILLAS
 LOCATION
KIHEI, MAUI, HAWAII

DRAWN	HD
CHECKED	RT
DATE	10/10/2019
SCALE	AS NOTED
JOB NO.	2129
SHEET	FP.7
7 of 8	



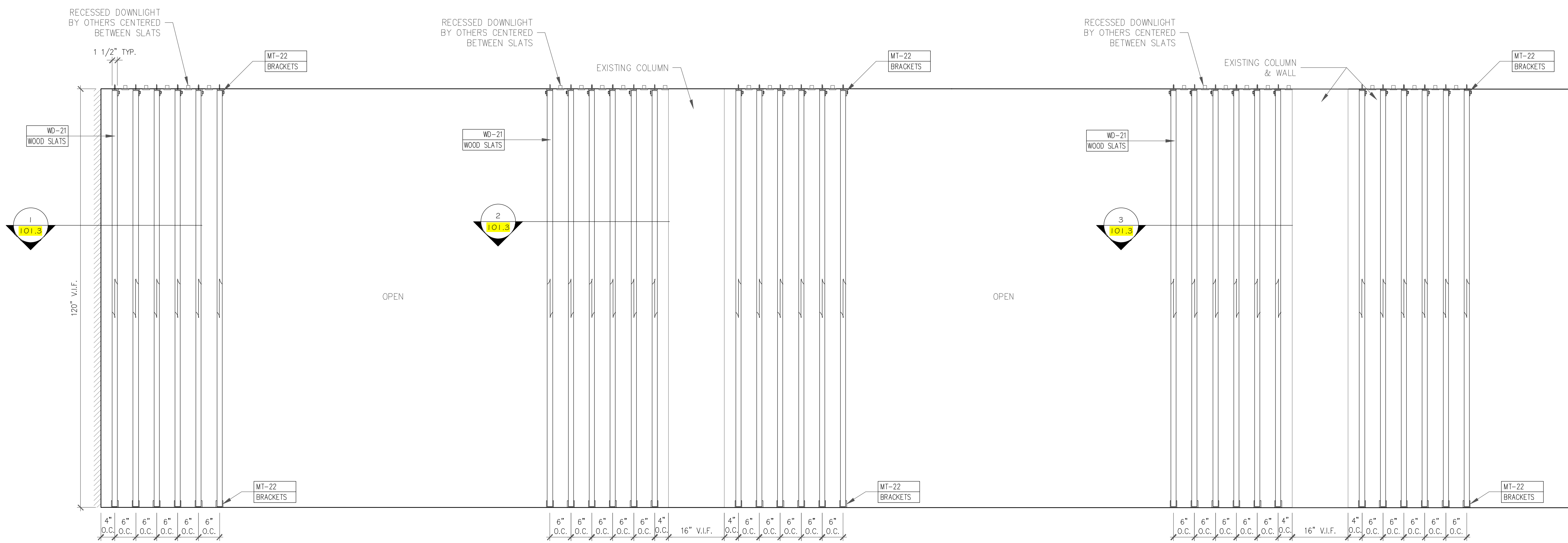
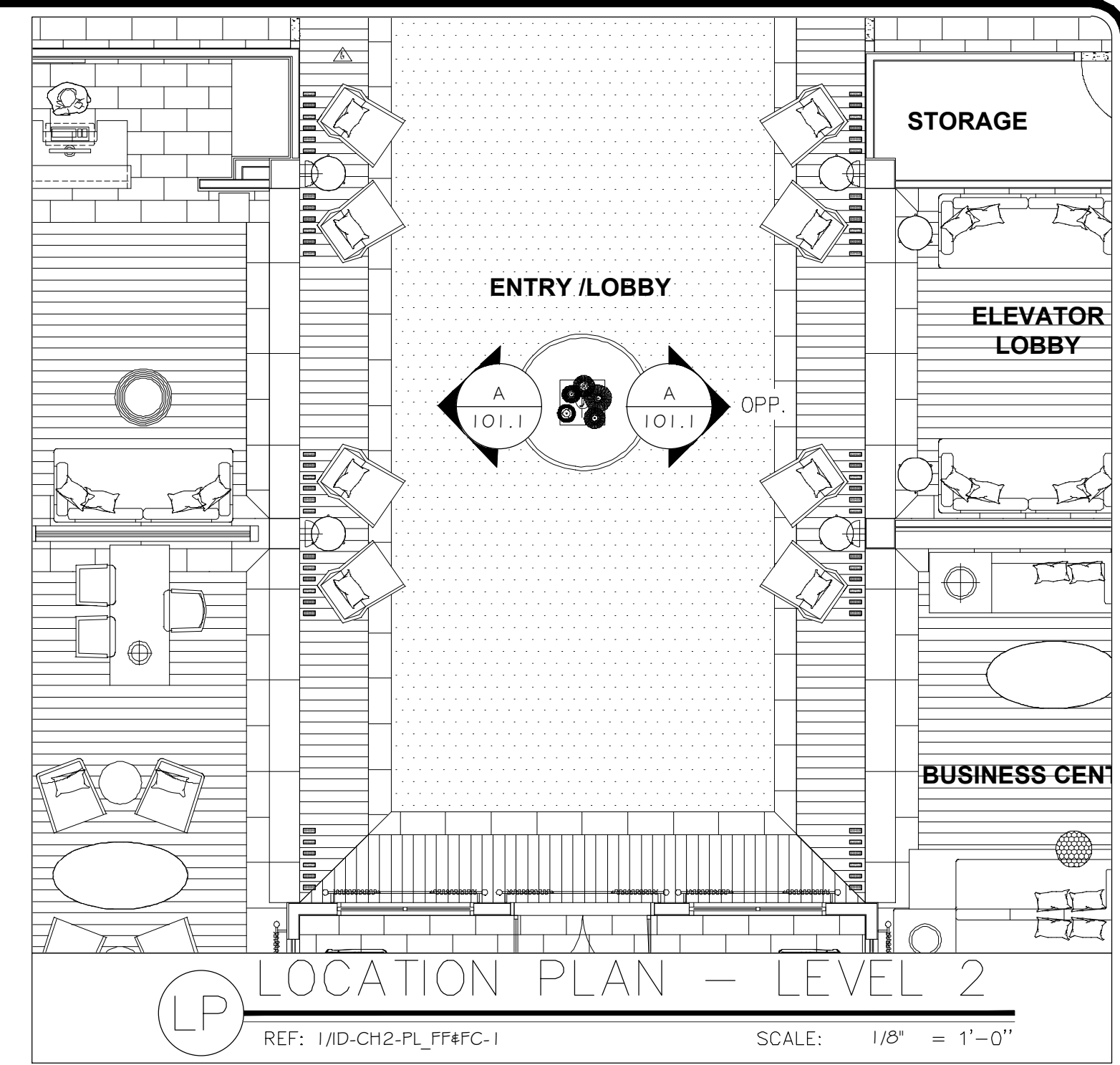
LP
 LOCATION PLAN – BUILDING TYPE POOL BAR
 REF: 1/1D-CHI-DT-3.00 SCALE: 1/8" = 1'-0"

REVISIONS	BY

FLOOR PLAN
 BUILDING TYPE POOL BAR

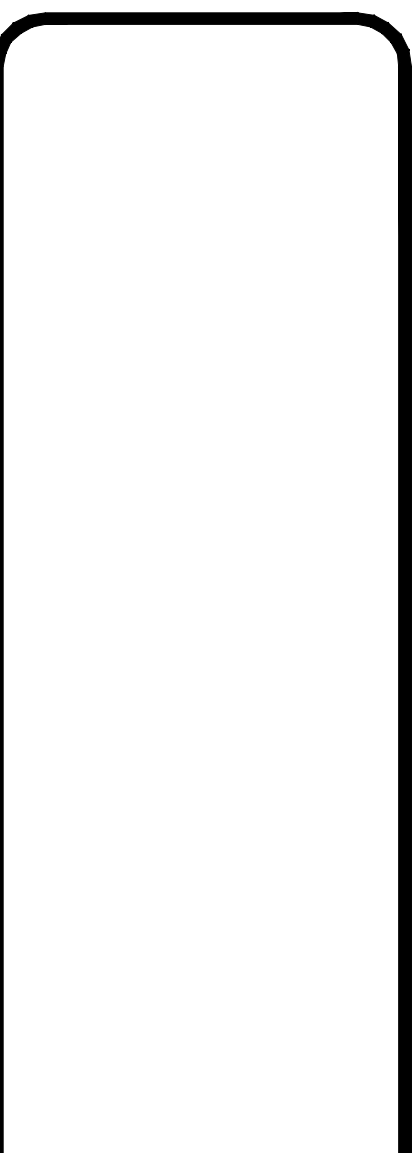
PROJECT
MAUI BAY VILLAS
 LOCATION
KIHEI, MAUI, HAWAII

DRAWN	HD
CHECKED	RT
DATE	10/10/2019
SCALE	AS NOTED
JOB NO.	2129
SHEET	FP.8
8 of 8	



A PLAN SECTION: WOOD SLATS @ CLUBHOUSE ENTRY LOBBY
 REF: 10,1 I/ID-CH2-EL-2 SCALE: 3/4" = 1'-0"

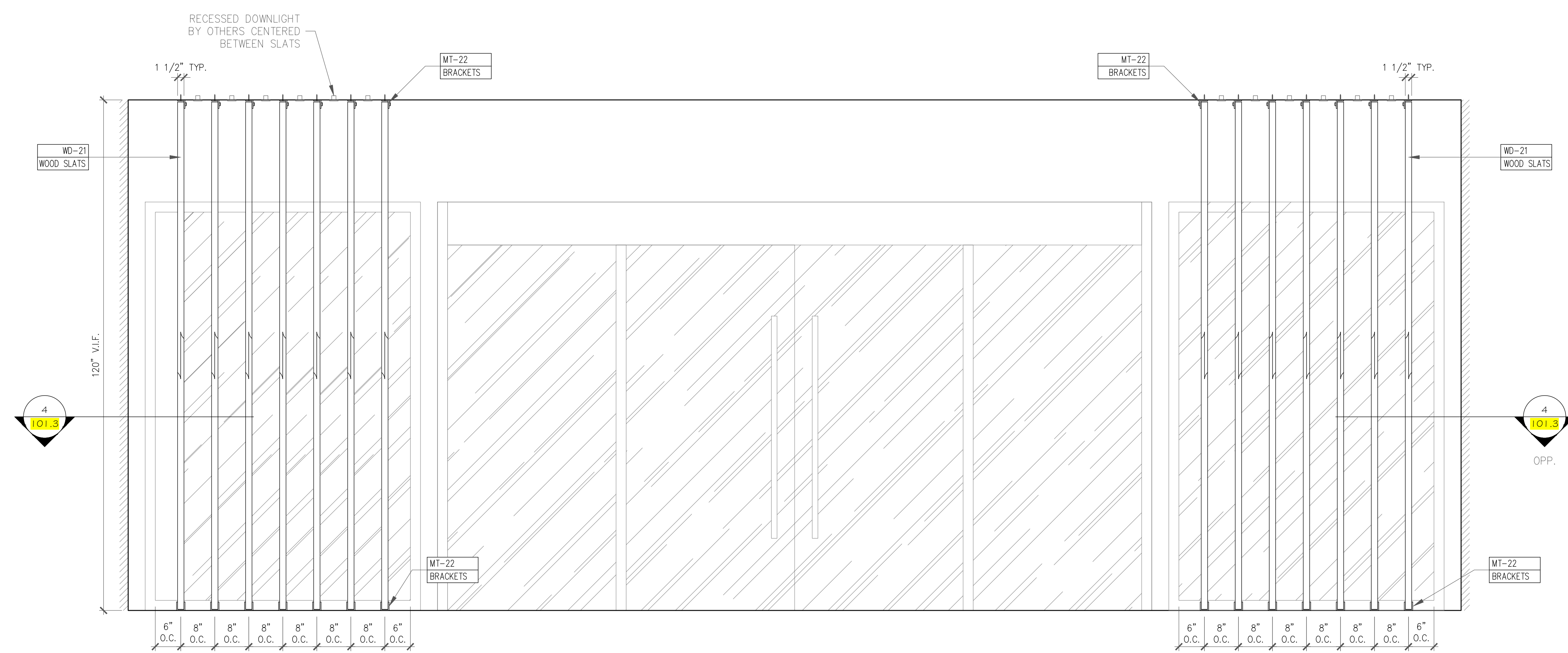
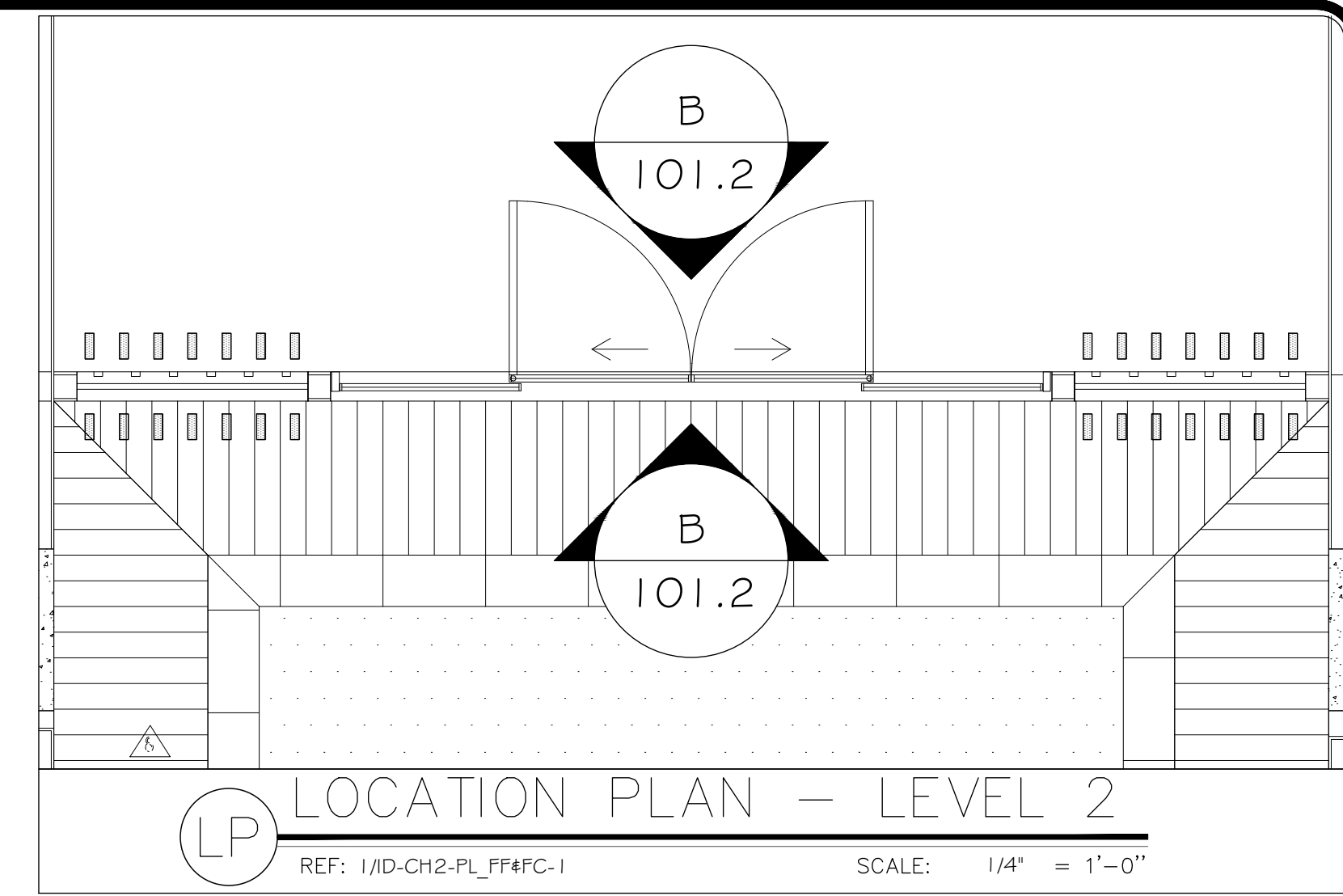
REVISIONS	BY



LEVEL 2
 WOOD SLATS
 CLUBHOUSE ENTRY LOBBY

PROJECT
MAUI BAY VILLAS
 LOCATION
KIHEI, MAUI, HAWAII

DRAWN	HD
CHECKED	RT
DATE	10/10/2019
SCALE	AS NOTED
JOB NO.	2129
SHEET	101.1
1 of 2	



B PLAN SECTION: WOOD SLATS @ CLUBHOUSE ENTRY LOBBY
 REF: 5,1 I/ID-CH2-EL-1 SCALE: 3/4" = 1'-0"

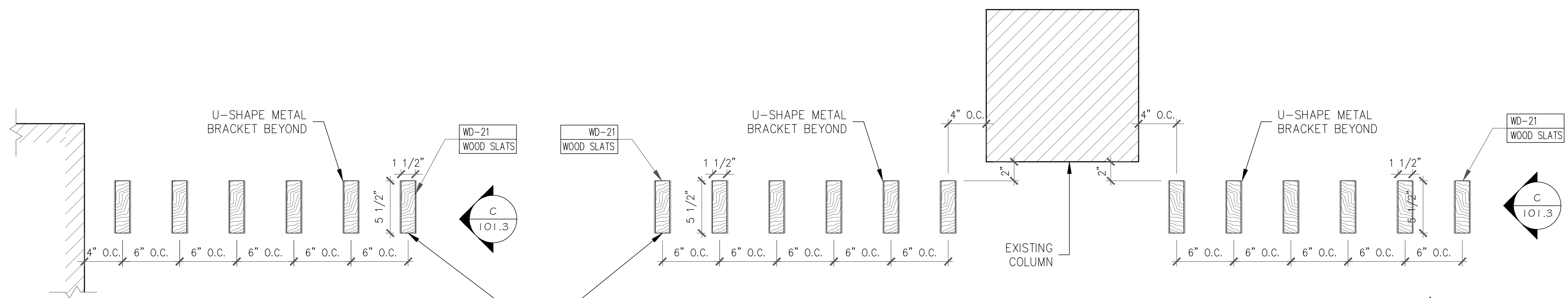
REVISIONS	BY

LEVEL 2
 WOOD SLATS
 CLUBHOUSE ENTRY LOBBY

PROJECT **MAUI BAY VILLAS**
 LOCATION **KIHEI, MAUI, HAWAII**

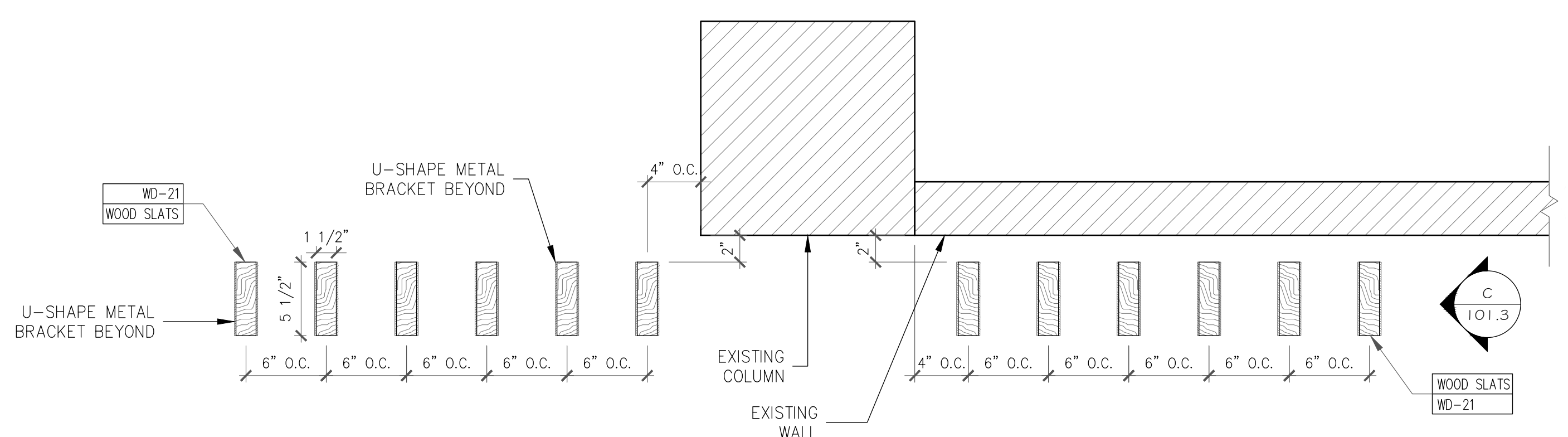
DRAWN	HD
CHECKED	RT
DATE	10/10/2019
SCALE	AS NOTED
JOB NO.	2129
SHEET	101.2
1 of 2	

REVISIONS	BY

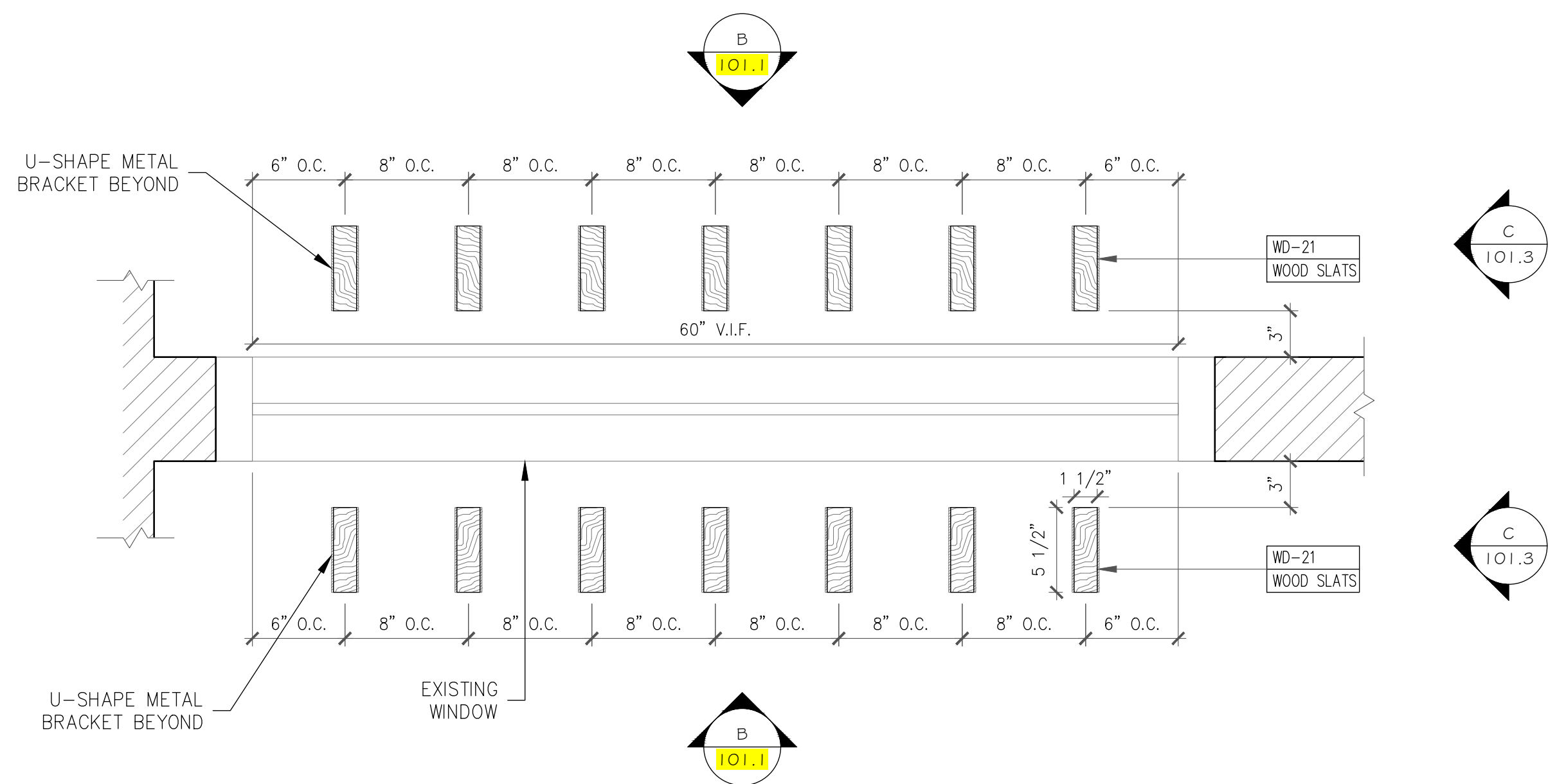


1 SECTION
REF: 4/1D-CH2-DT-2.09 SCALE: 1-1/2" = 1'-0"

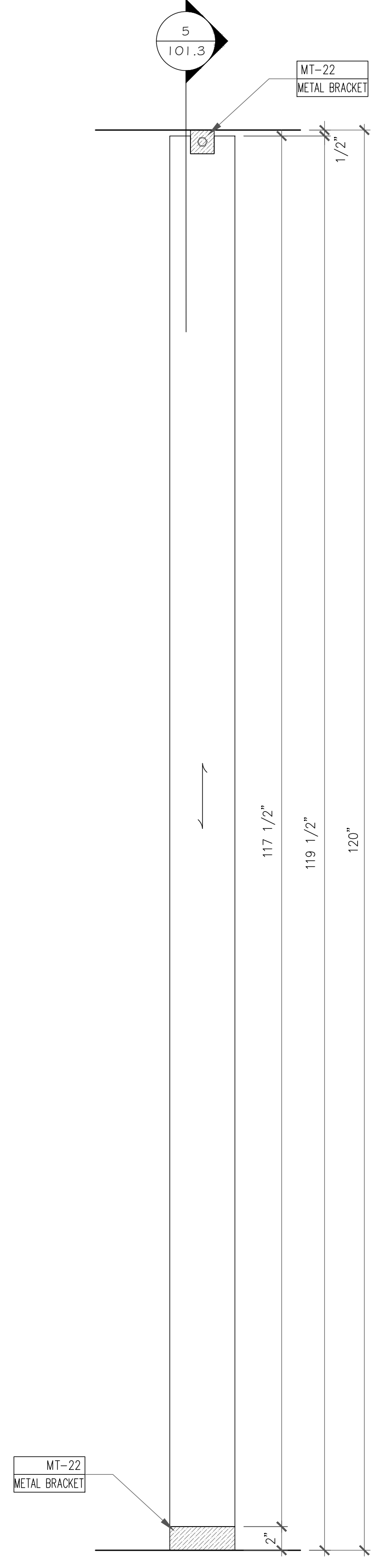
2 SECTION
REF: 4/1D-CH2-DT-2.09 SCALE: 1-1/2" = 1'-0"



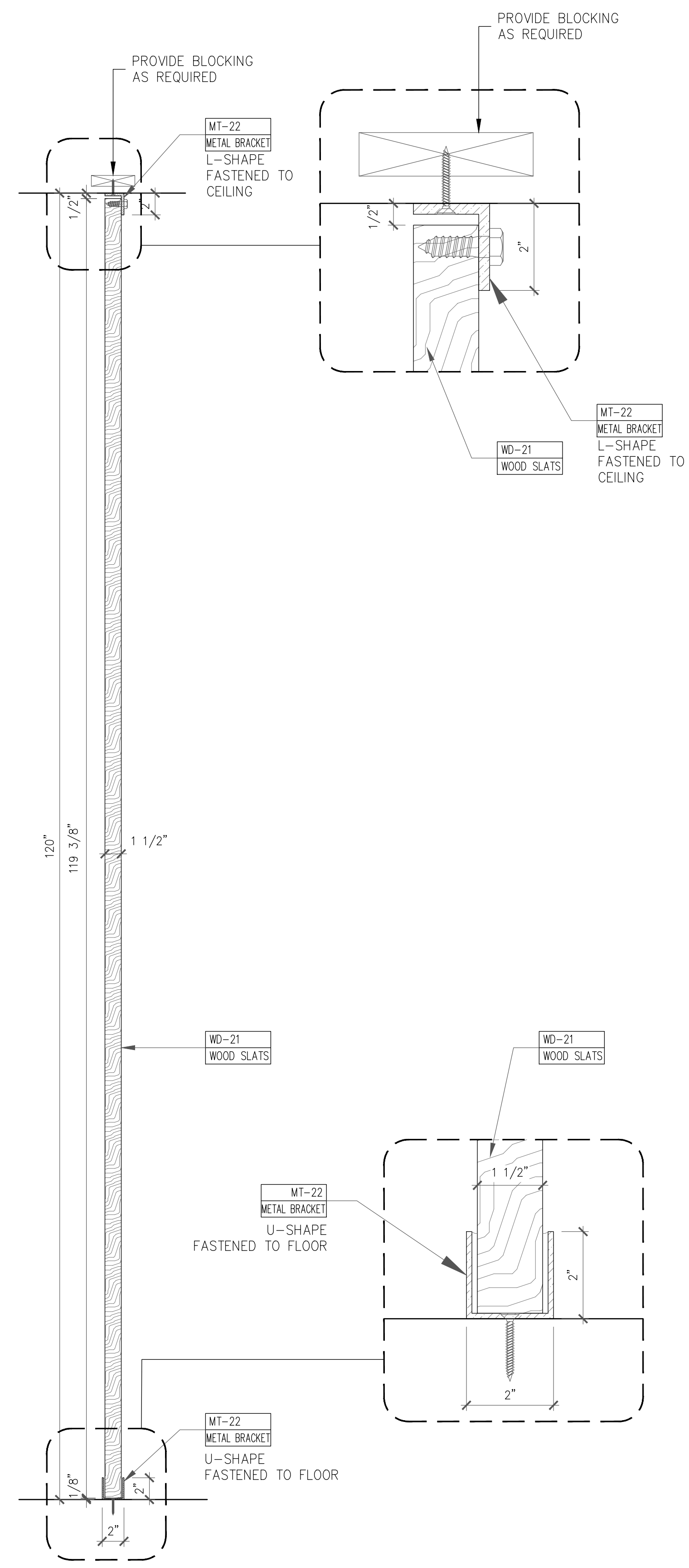
3 SECTION
REF: 4/1D-CH2-DT-2.09 SCALE: 1-1/2" = 1'-0"



4 SECTION
REF: 4/1D-CH2-DT-2.09 SCALE: 1-1/2" = 1'-0"



C ELEVATION
REF: 3/1D-CH2-DT-2.09 SCALE: 1-1/2" = 1'-0"



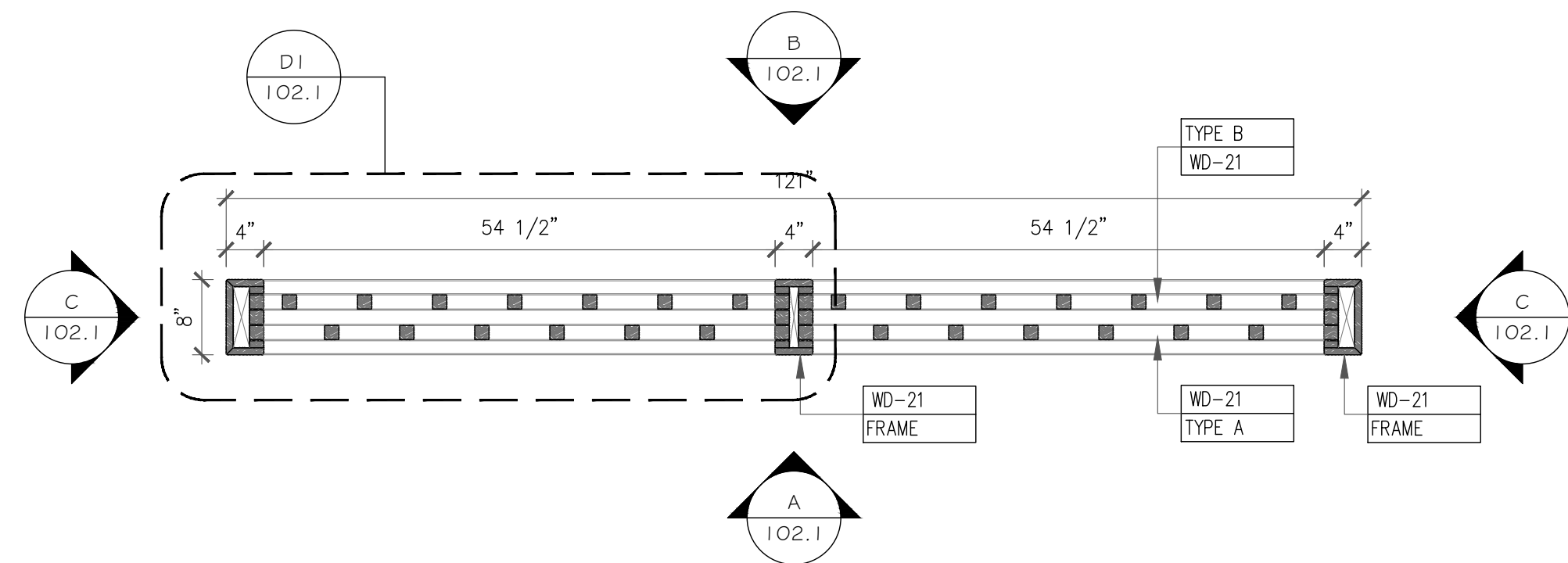
5 ELEVATION
REF: 3/1D-CH2-DT-2.09 SCALE: 1-1/2" = 1'-0"

PROJECT	MAUI BAY VILLAS
LOCATION	KIHEI, MAUI, HAWAII

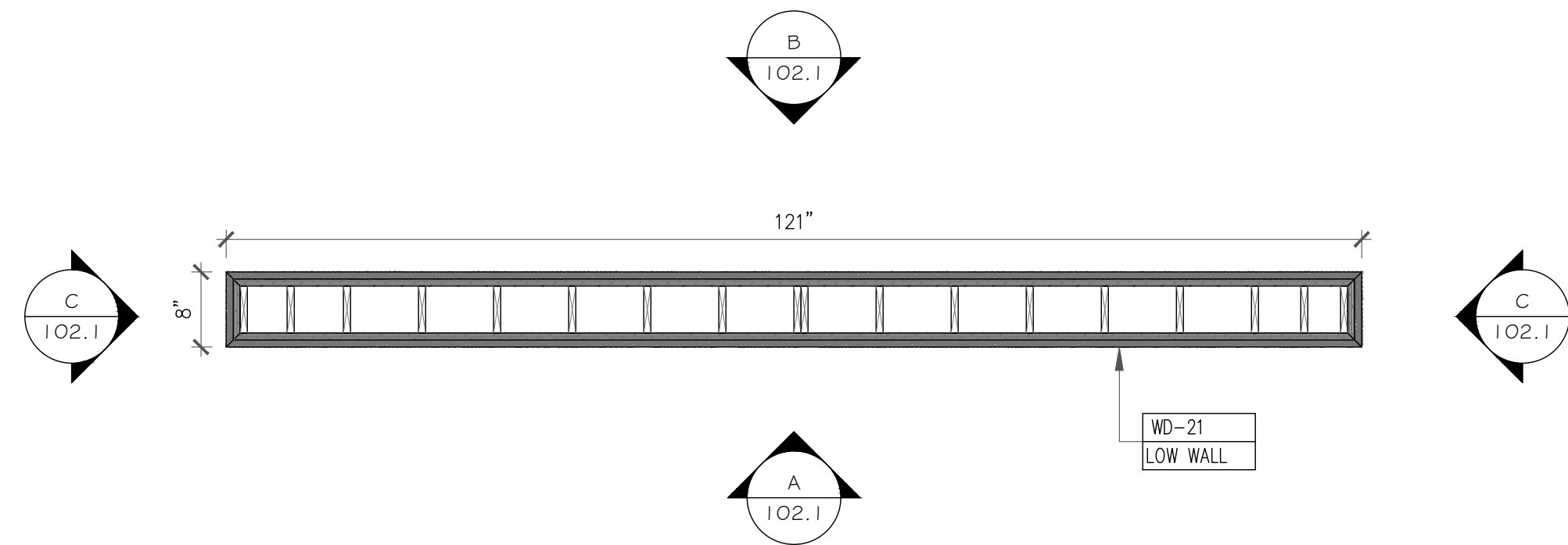
ITEM	LEVEL 2 WOOD SLATS CLUBHOUSE ENTRY LOBBY
------	--

DRAWN	HD
CHECKED	RT
DATE	10/10/2019
SCALE	AS NOTED
JOB NO.	2129

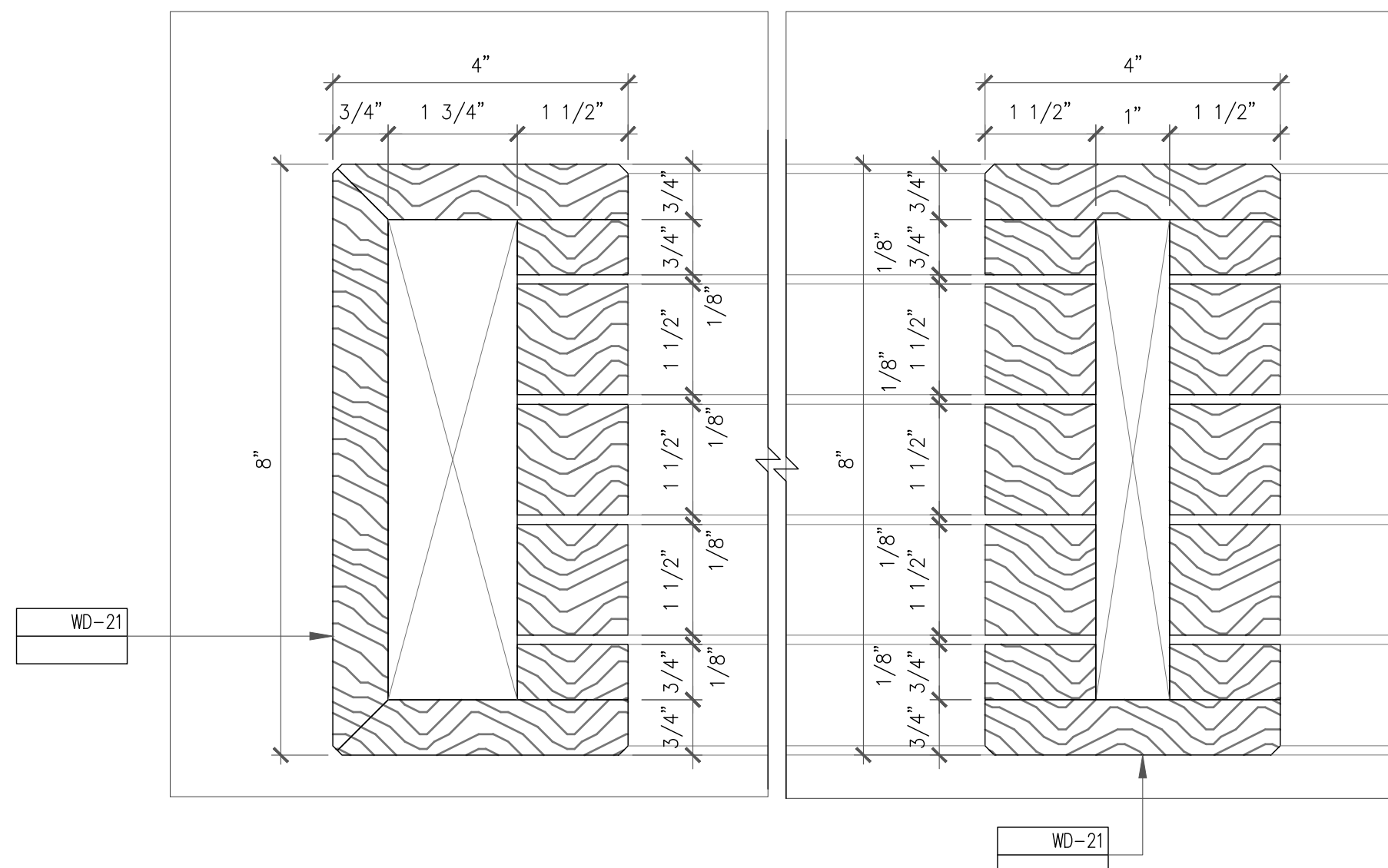
SHEET	101.3
1 of 2	



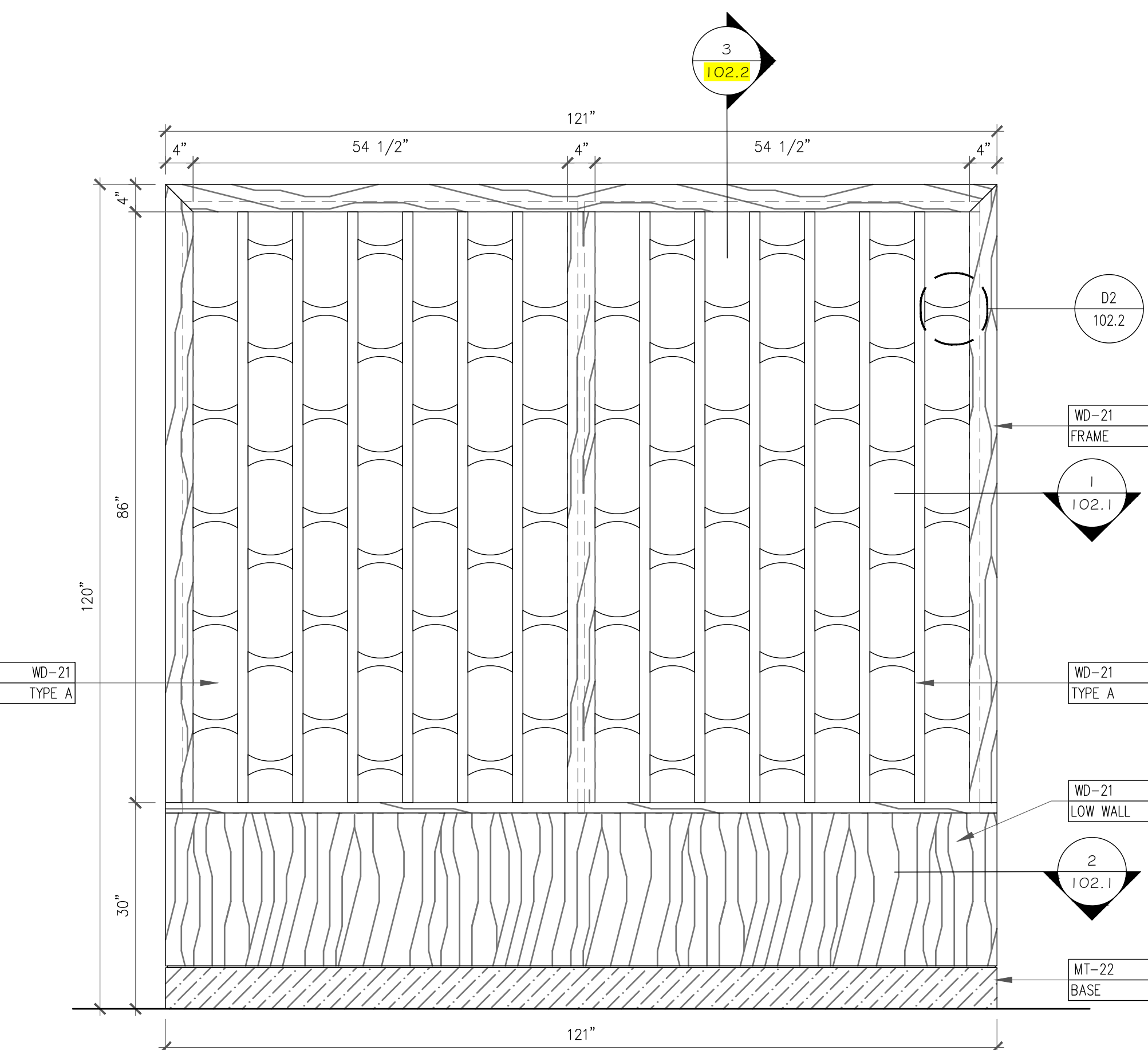
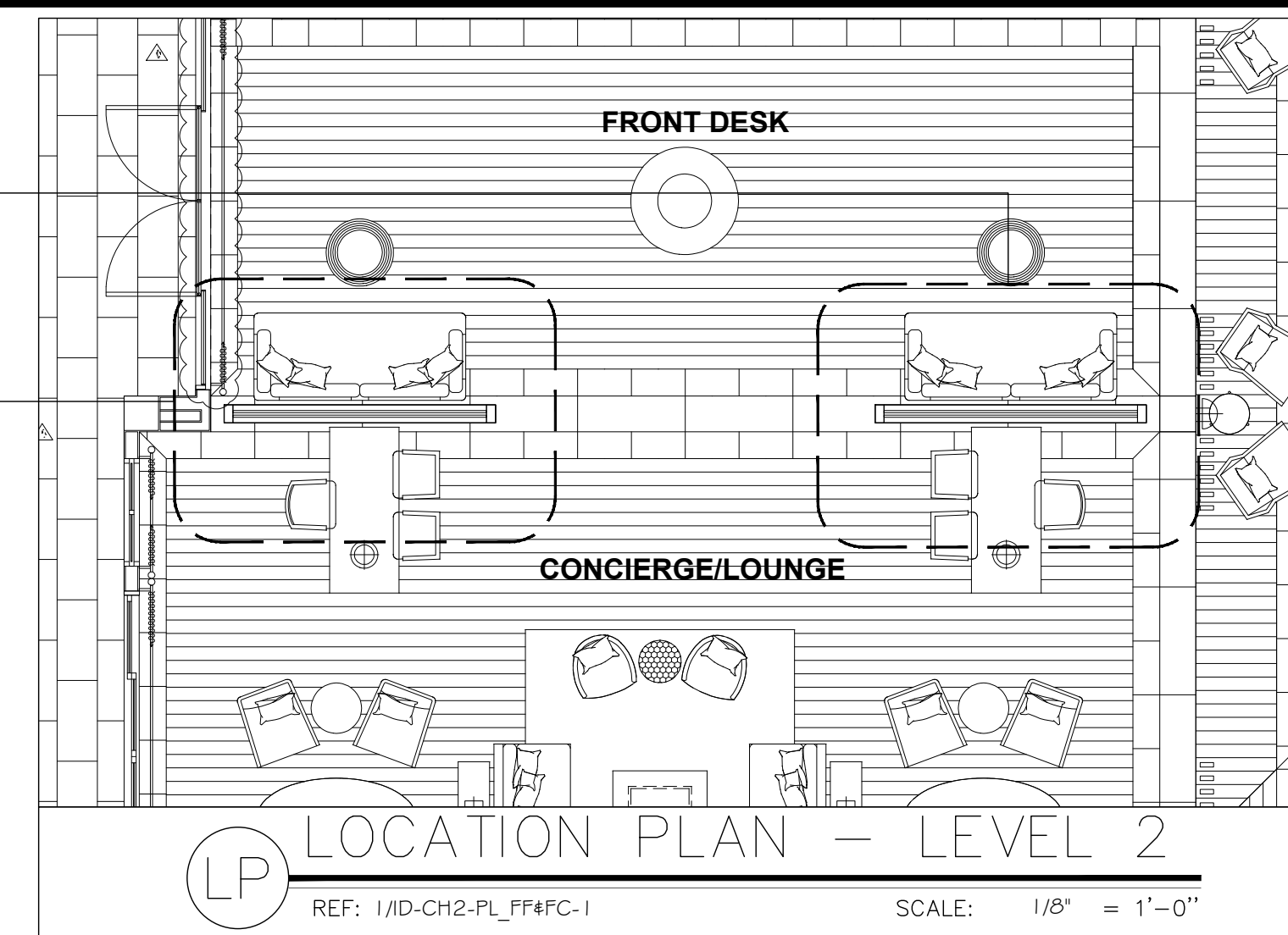
1 PLAN SECTION: DECORATIVE SCREEN
REF: 7/ID-CH2-DT-2.09 SCALE: 3/4" = 1'-0"



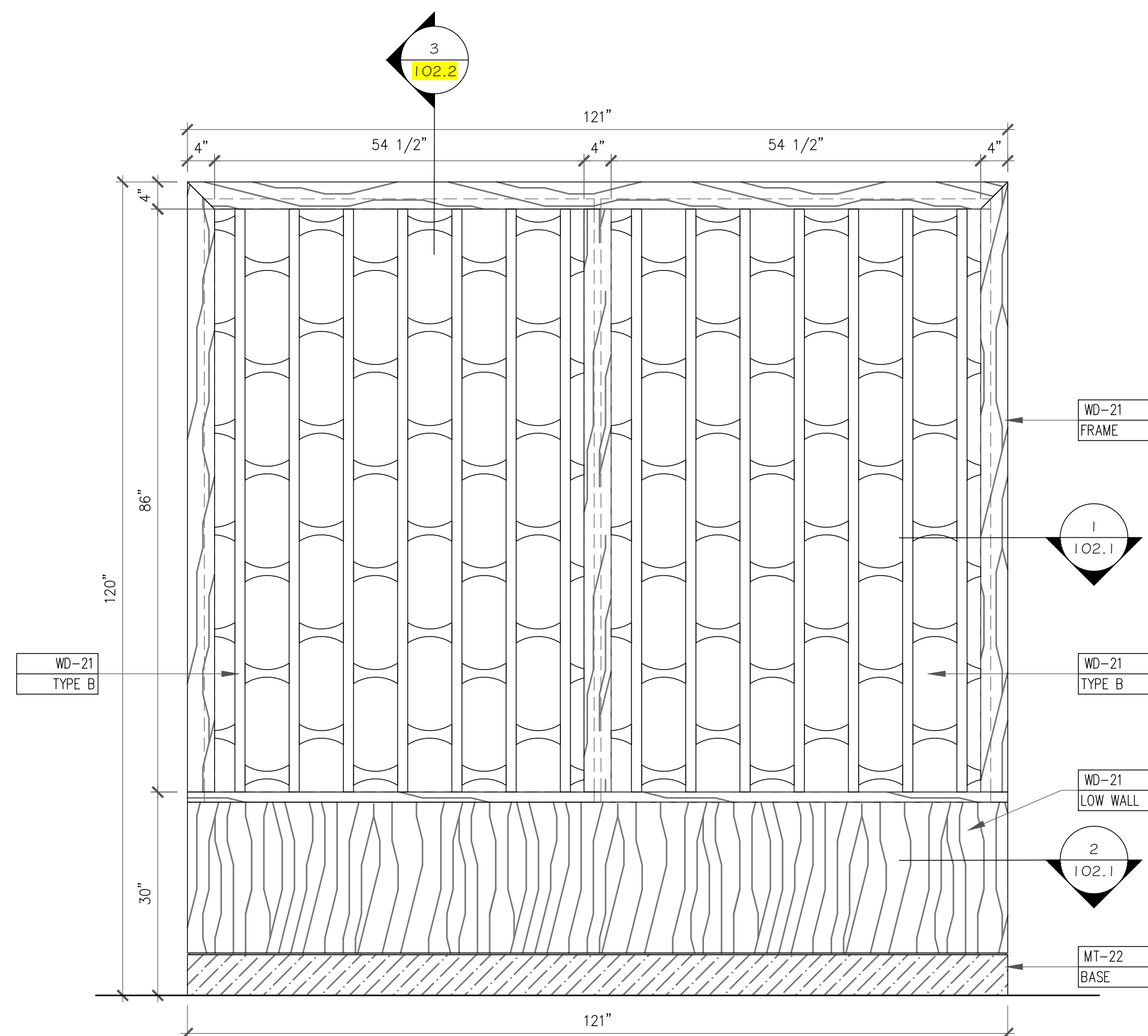
2 PLAN SECTION: DECORATIVE SCREEN
REF: 7/ID-CH2-DT-2.09 SCALE: 3/4" = 1'-0"



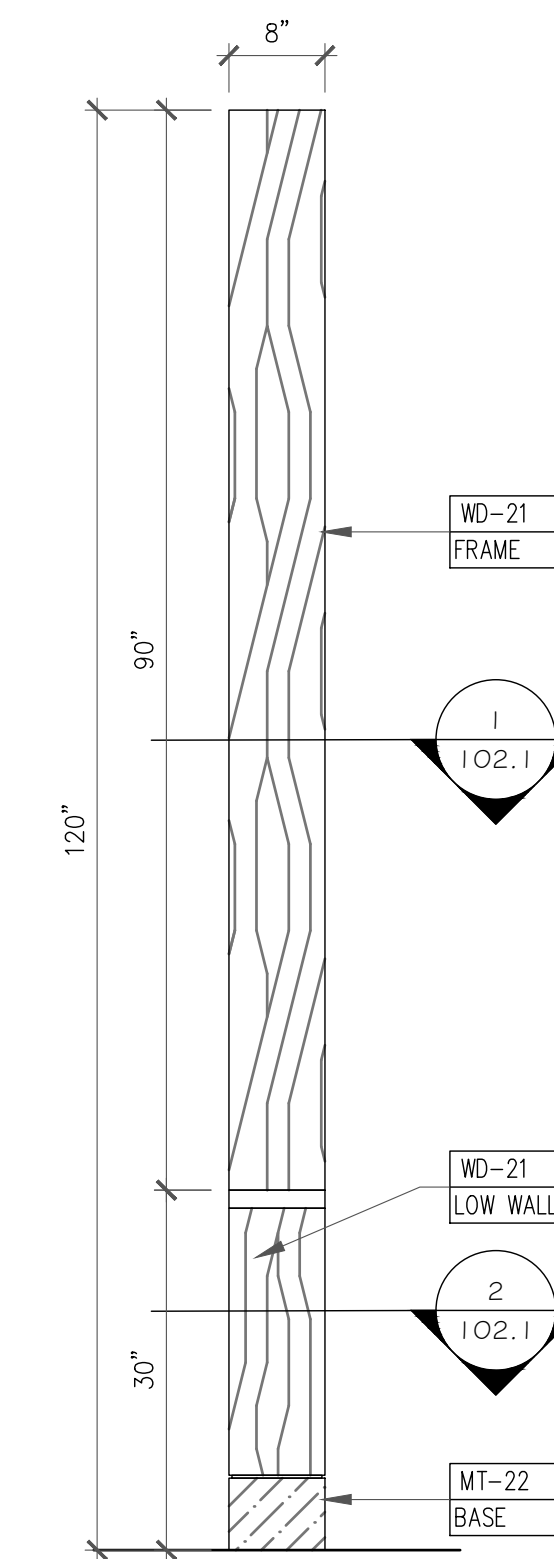
D1 DETAIL
REF: 8/ID-CH2-DT-2.09 SCALE: 6" = 1'-0"



A ELEVATION: DECORATIVE SCREEN
REF: 9/ID-CH2-DT-2.09 SCALE: 3/4" = 1'-0"



B ELEVATION: DECORATIVE SCREEN
REF: 9/ID-CH2-DT-2.09 SCALE: 3/4" = 1'-0"



C ELEVATION: DECORATIVE SCREEN
REF: 10/ID-CH2-DT-2.09 SCALE: 3/4" = 1'-0"

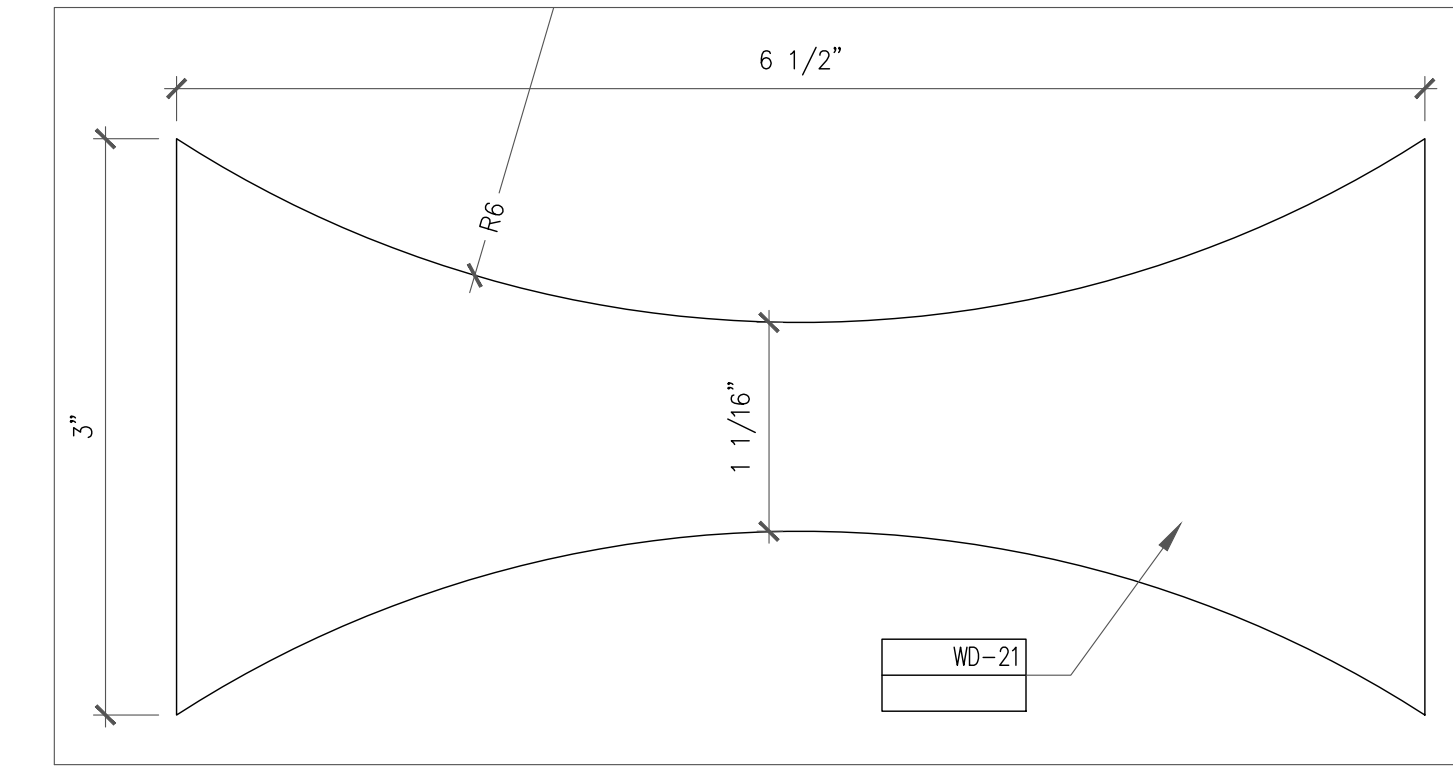
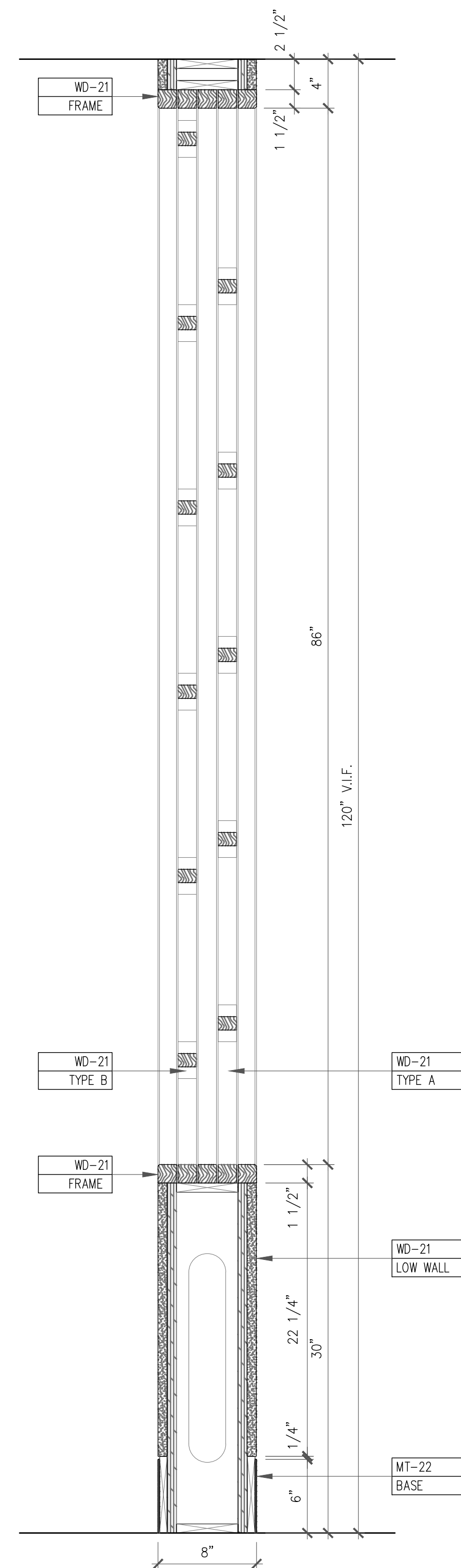
REVISIONS	BY

LEVEL 2
CLUBHOUSE CONCIERGE
DECORATIVE SCREENS

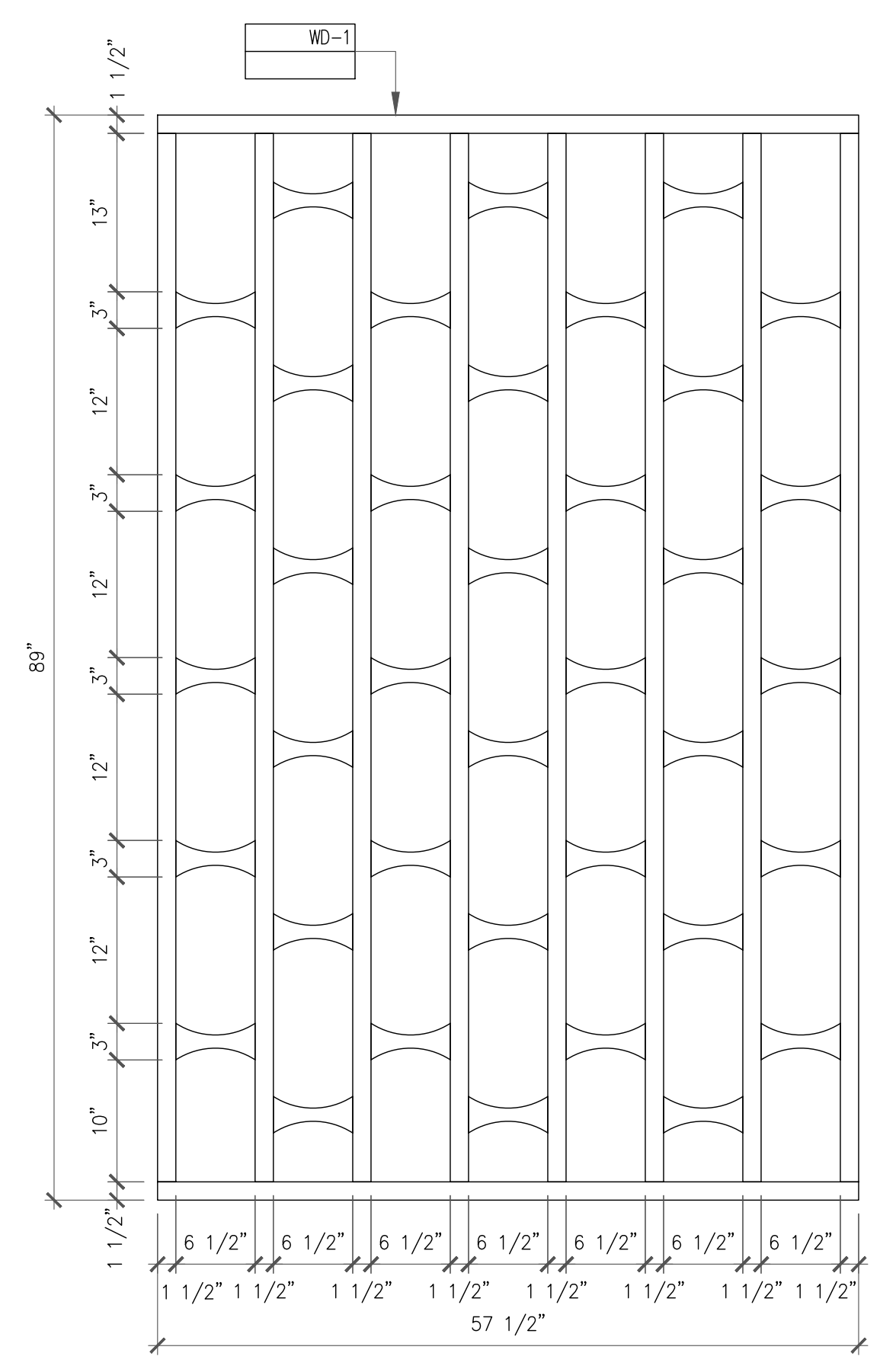
PROJECT
MAUI BAY VILLAS
LOCATION
KIHEI, MAUI, HAWAII

DRAWN	HD
CHECKED	RT
DATE	10/10/2019
SCALE	
AS NOTED	JOB NO.
2129	
SHEET	102.1
1 of 2	

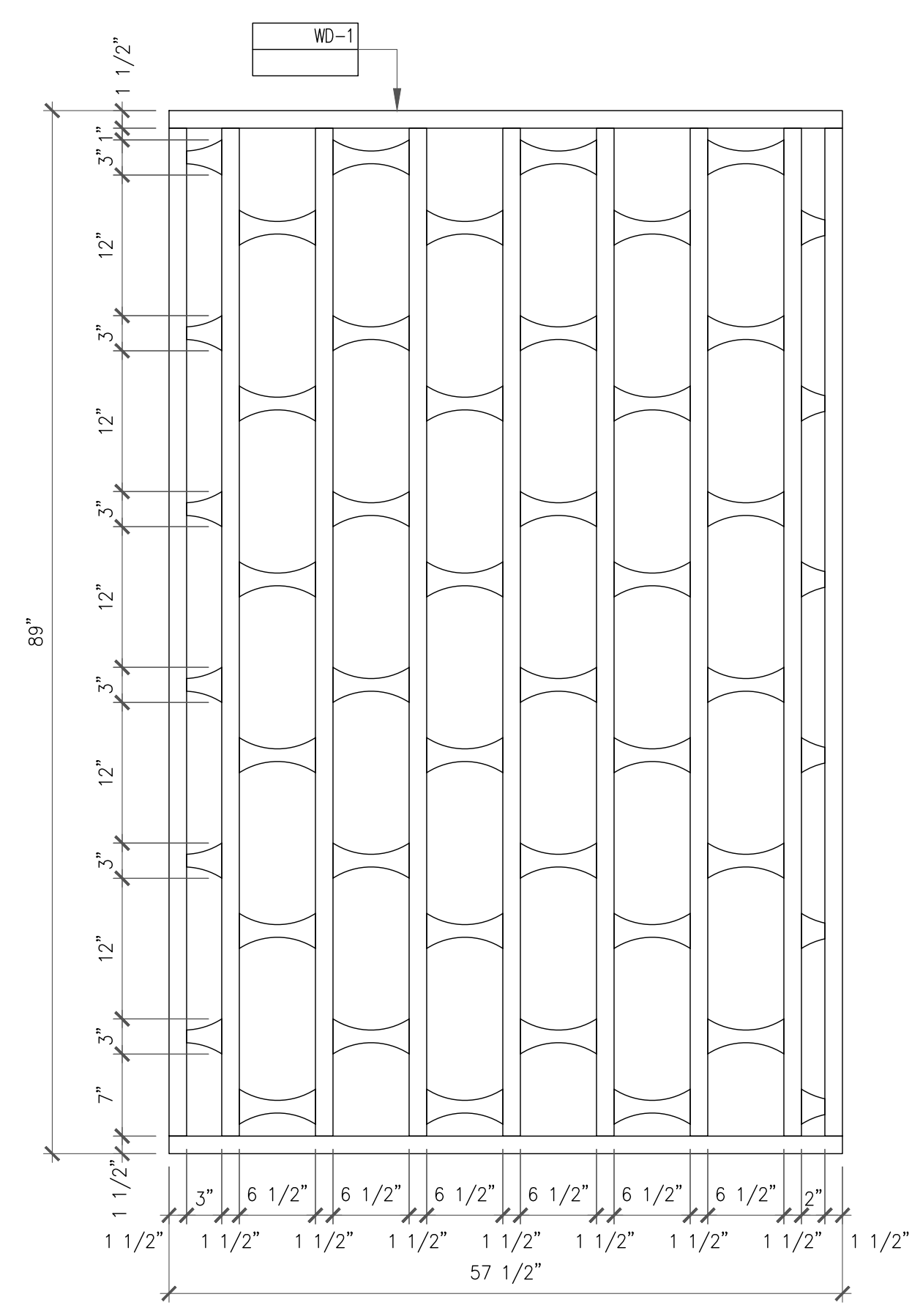
REVISIONS	BY



D2 DETAIL
 REF: 14/ID-CH2-DT-2.09 SCALE: 1" = 1'-0"



D ELEVATION: DECORATIVE SCREEN - TYPE A
 REF: 12/ID-CH2-DT-2.09 SCALE: 1" = 1'-0"



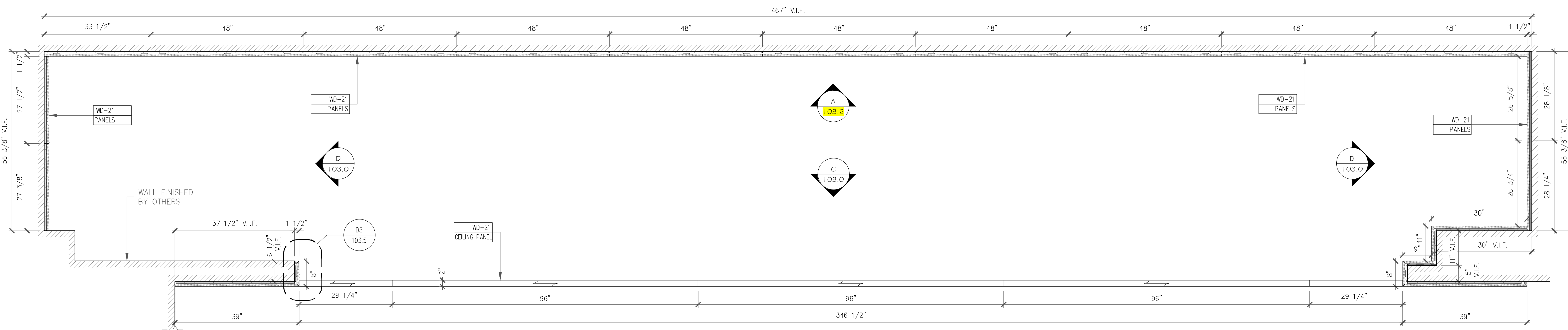
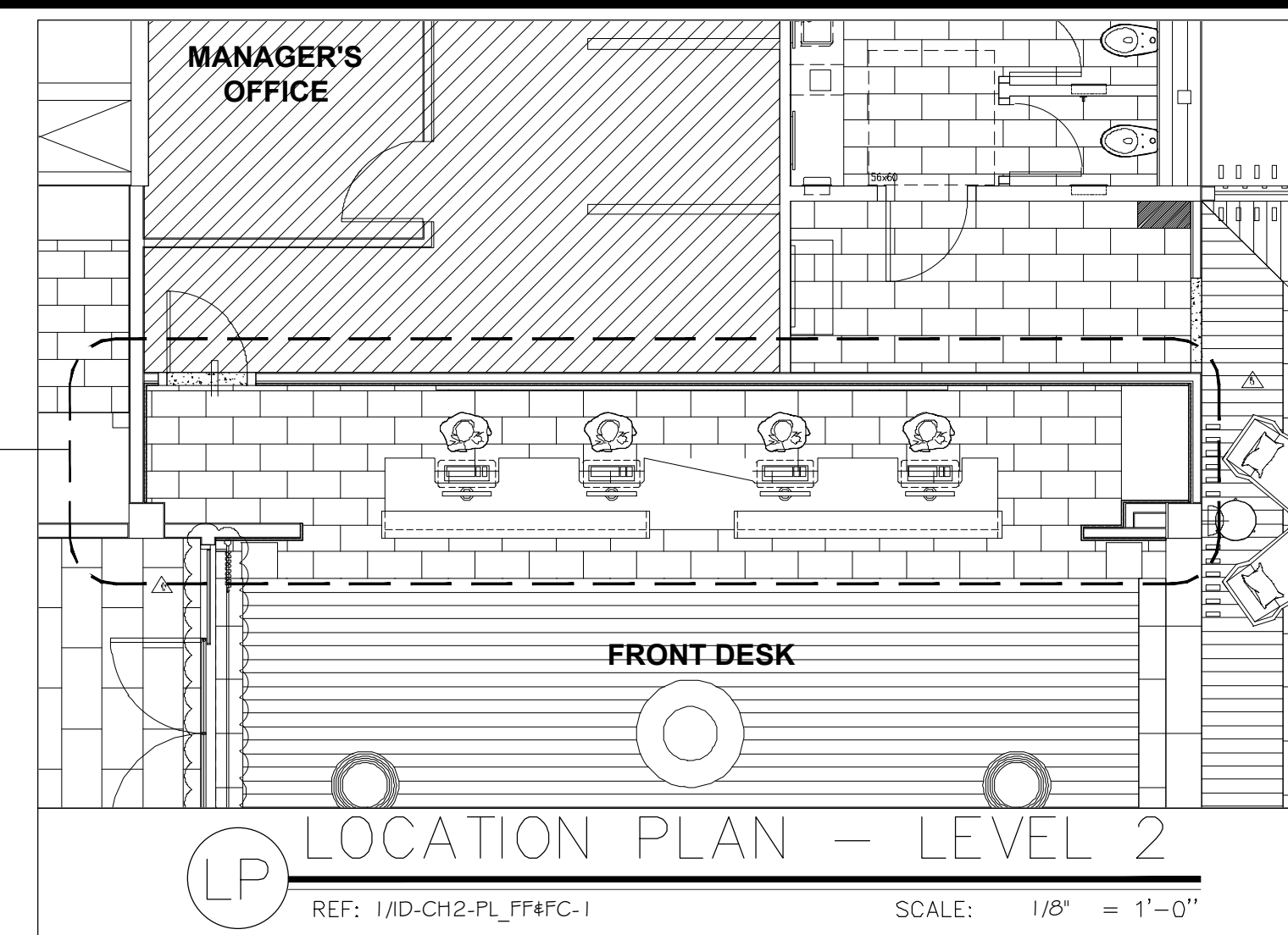
E ELEVATION: DECORATIVE SCREEN - TYPE B
 REF: 13/ID-CH2-DT-2.09 SCALE: 1" = 1'-0"

PROJECT
MAUI BAY VILLAS

LOCATION
KIHEI, MAUI, HAWAII

ITEM
 LEVEL 2
 CLUBHOUSE CONCERGE
 DECORATIVE SCREENS

DRAWN	HD
CHECKED	RT
DATE	10/10/2019
SCALE	AS NOTED
JOB NO.	2129
SHEET	102.2
2 of 2	



1 PLAN SECTION: WALL PANELING @ CLUBHOUSE BEHIND FRONT DESK

REF: NONE

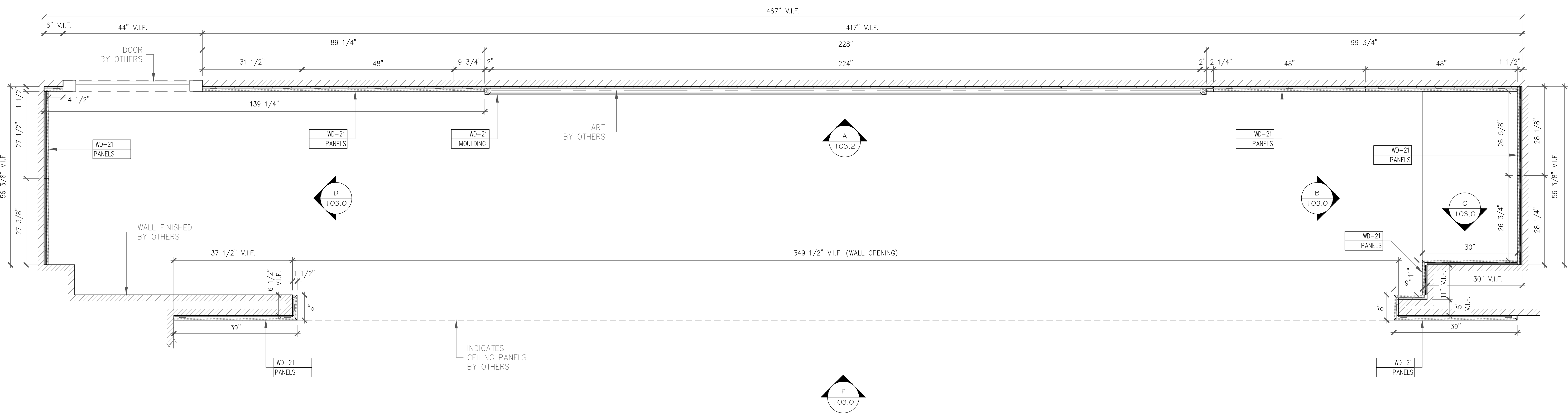
SCALE: 3/4" = 1'-0"

REVISIONS	BY

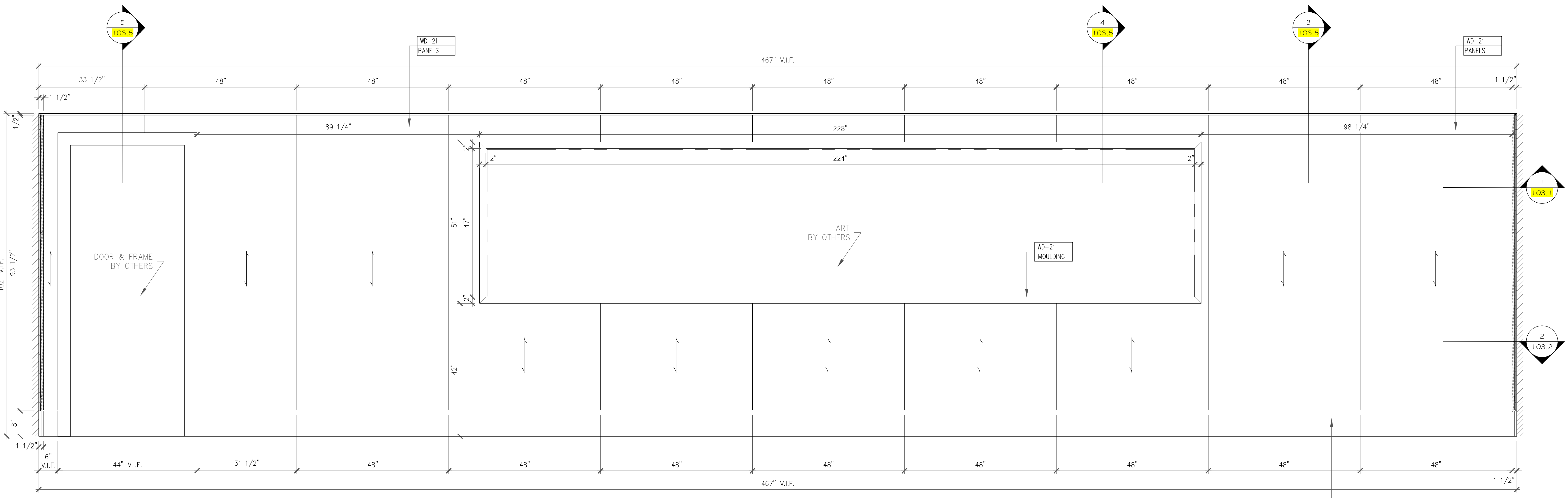
LEVEL 2
WALL PANELING
CLUBHOUSE BEHIND FRONT DESK

PROJECT
MAUI BAY VILLAS
LOCATION
KIHEI, MAUI, HAWAII

DRAWN	HD
CHECKED	RT
DATE	10/10/2019
SCALE	AS NOTED
JOB NO.	
2129	
SHEET	103.1
1 of 2	



2 PLAN SECTION: WALL PANELING @ CLUBHOUSE BEHIND FRONT DESK
 REF: 1/ID-CH2-PL_FF#FC-1 SCALE: 3/4" = 1'-0"



A ELEVATION: WALL PANELING @ CLUBHOUSE BEHIND FRONT DESK
 REF: 5/ID-CH2-DT-2.08 SCALE: 3/4" = 1'-0"

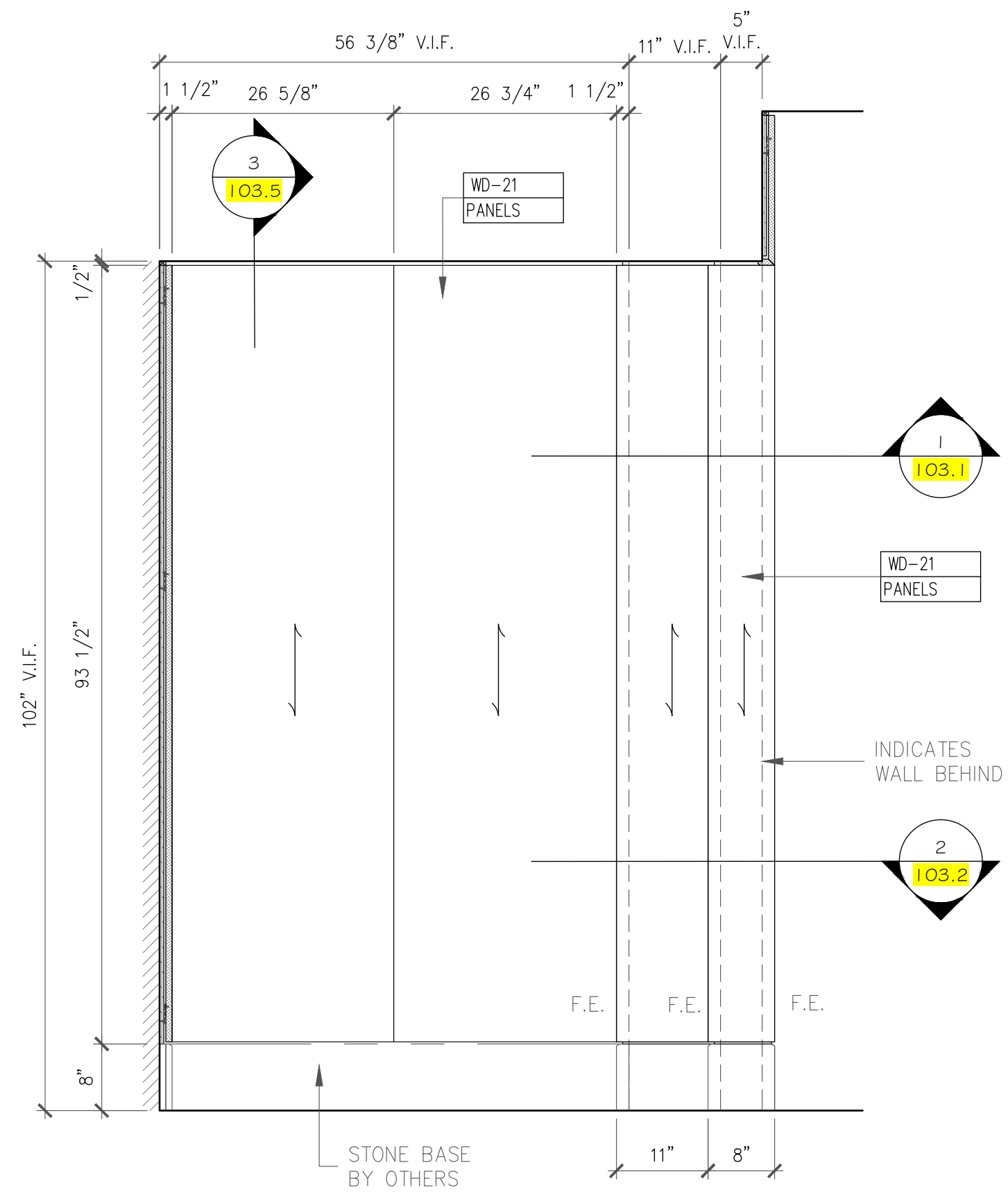
REVISIONS	BY

--

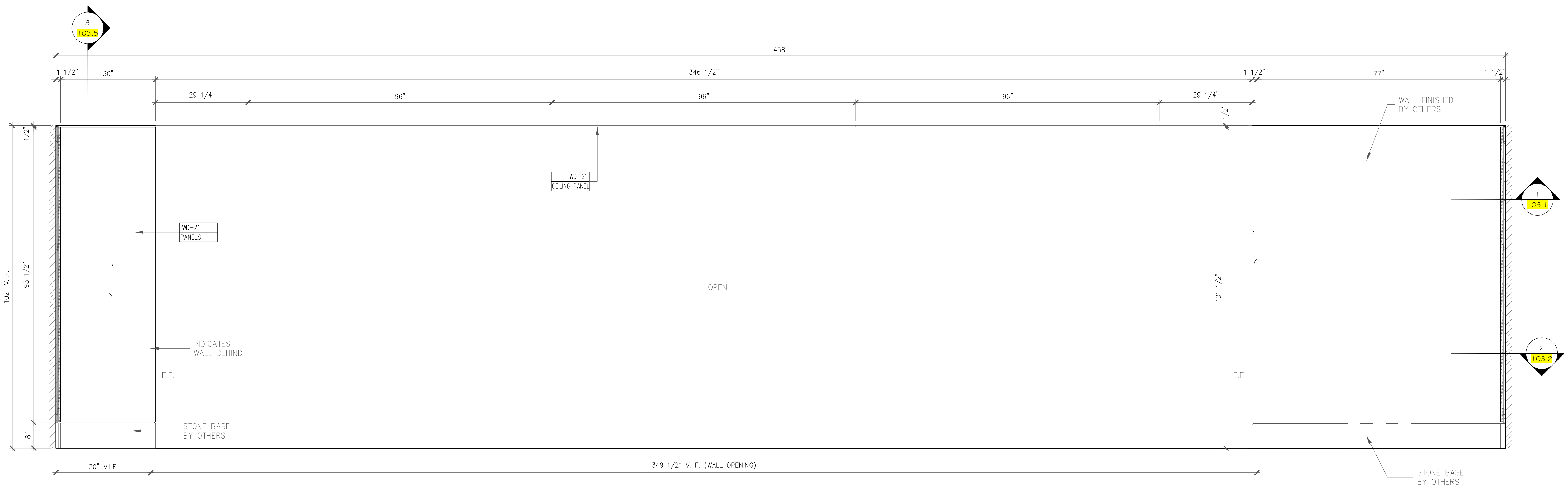
ITEM LEVEL 2
 WALL PANELING
 CLUBHOUSE BEHIND FRONT DESK

PROJECT MAUI BAY VILLAS
 LOCATION KIHEI, MAUI, HAWAII

DRAWN	HD
CHECKED	RT
DATE	10/10/2019
SCALE	AS NOTED
JOB NO.	2129
SHEET	103.2
1 of 2	

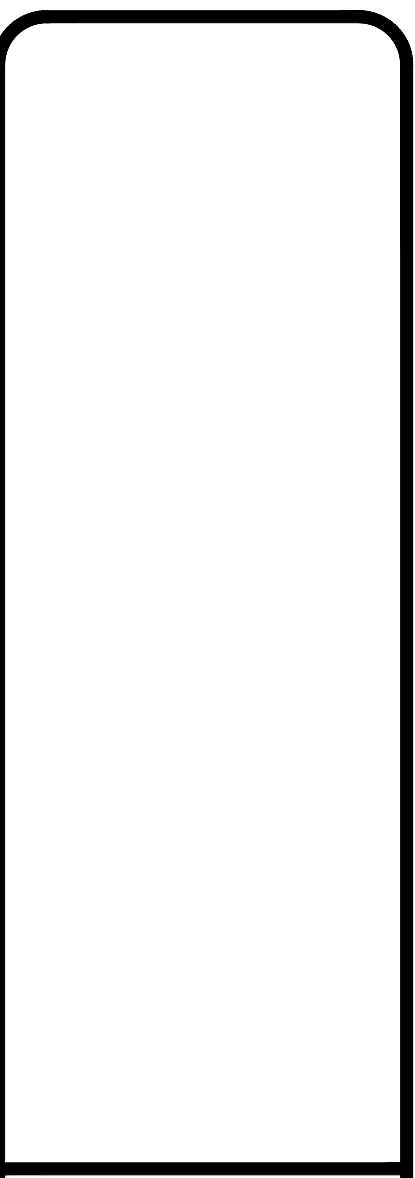


B ELEVATION: WALL PANELING @ CLUBHOUSE BEHIND FRONT DESK
 REF: NONE SCALE: 3/4" = 1'-0"



C ELEVATION: WALL PANELING @ CLUBHOUSE BEHIND FRONT DESK
 REF: 5/10-CH2-DT-2.08 SCALE: 3/4" = 1'-0"

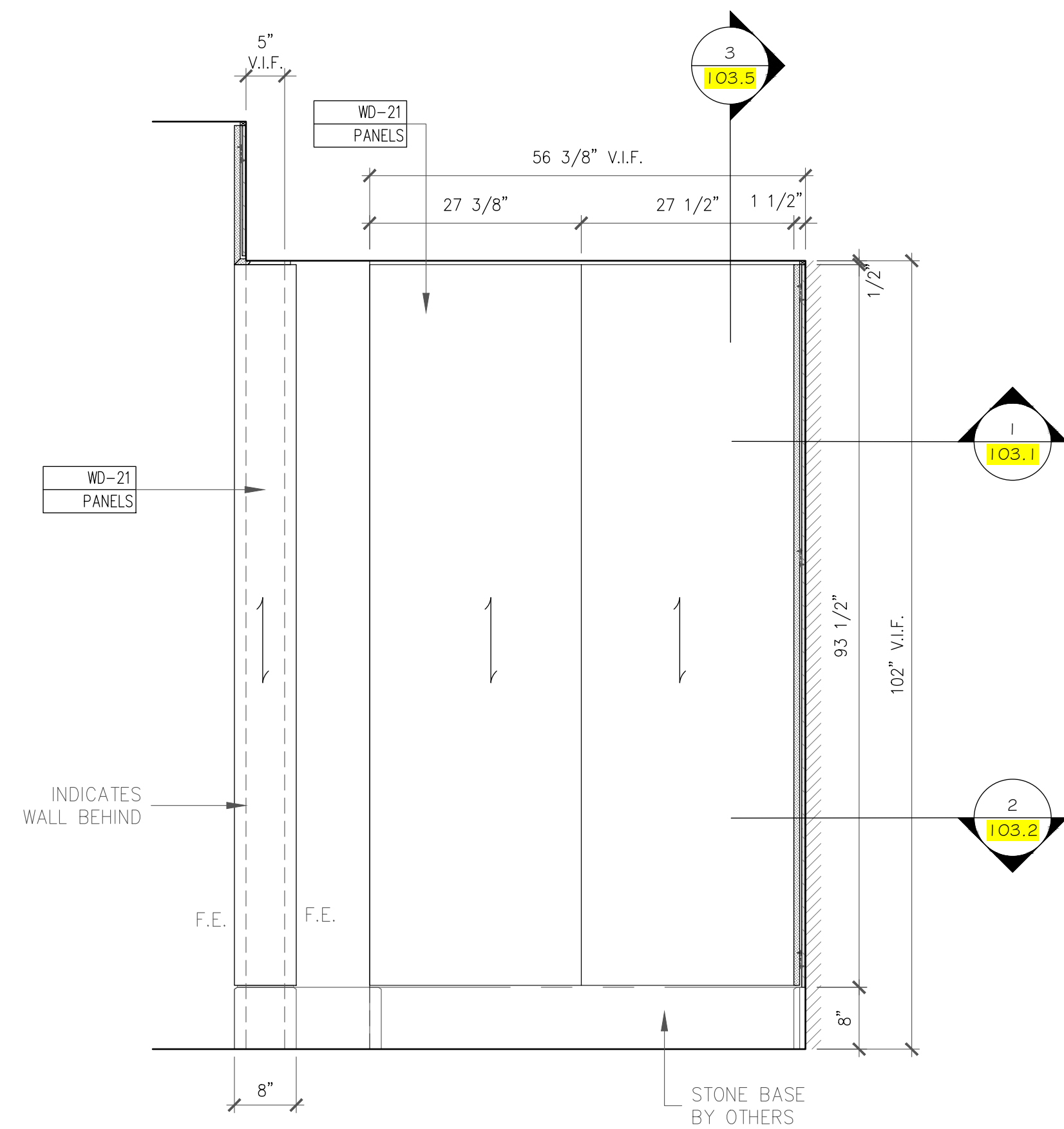
REVISIONS	BY



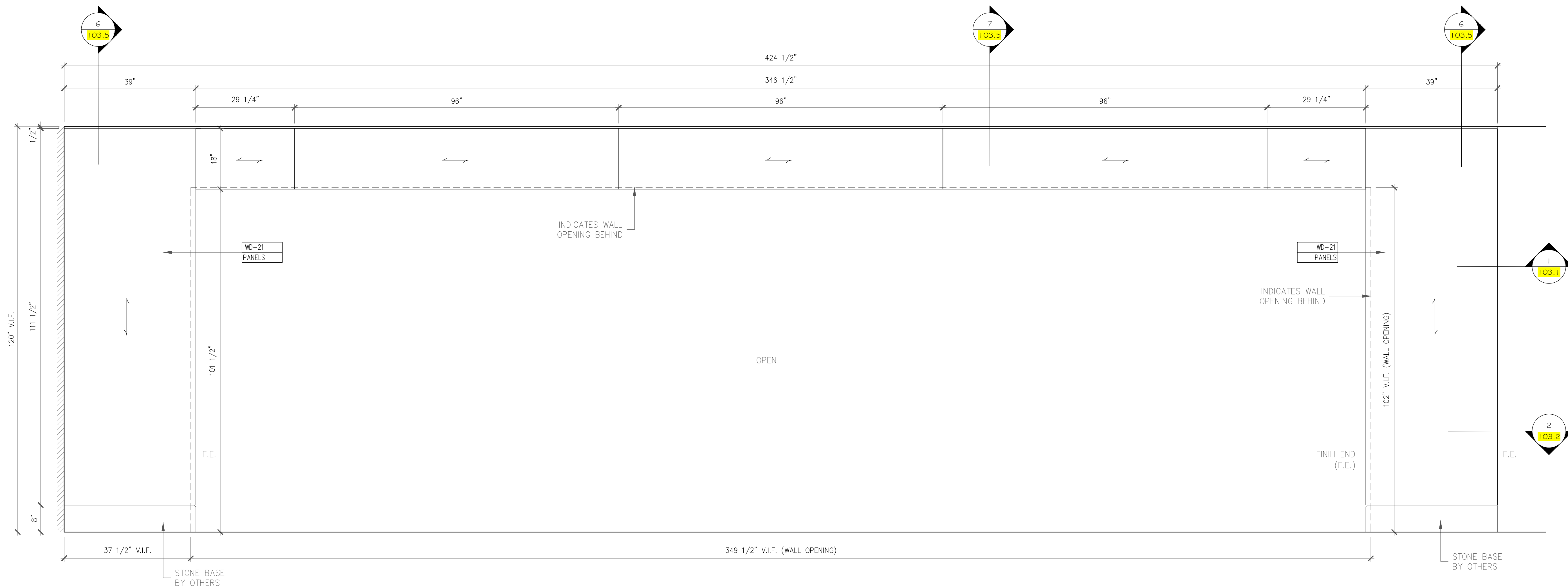
LEVEL 2
 WALL PANELING
 CLUBHOUSE BEHIND FRONT DESK

PROJECT
MAUI BAY VILLAS
 LOCATION
KIHEI, MAUI, HAWAII

DRAWN	HD
CHECKED	RT
DATE	10/10/2019
SCALE	AS NOTED
JOB NO.	2129
SHEET	103.3
1 of 2	

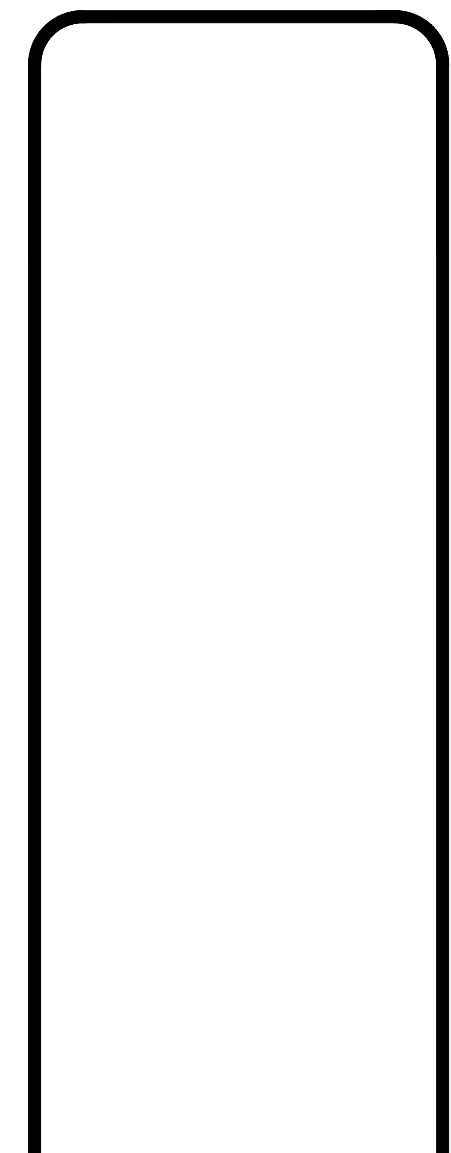


D ELEVATION: WALL PANELING @ CLUBHOUSE BEHIND FRONT DESK
 REF: NONE SCALE: 3/4" = 1'-0"



E ELEVATION: WALL PANELING @ CLUBHOUSE BEHIND FRONT DESK
 REF: 5/ID-CH2-DT-2.08 SCALE: 3/4" = 1'-0"

REVISIONS	BY

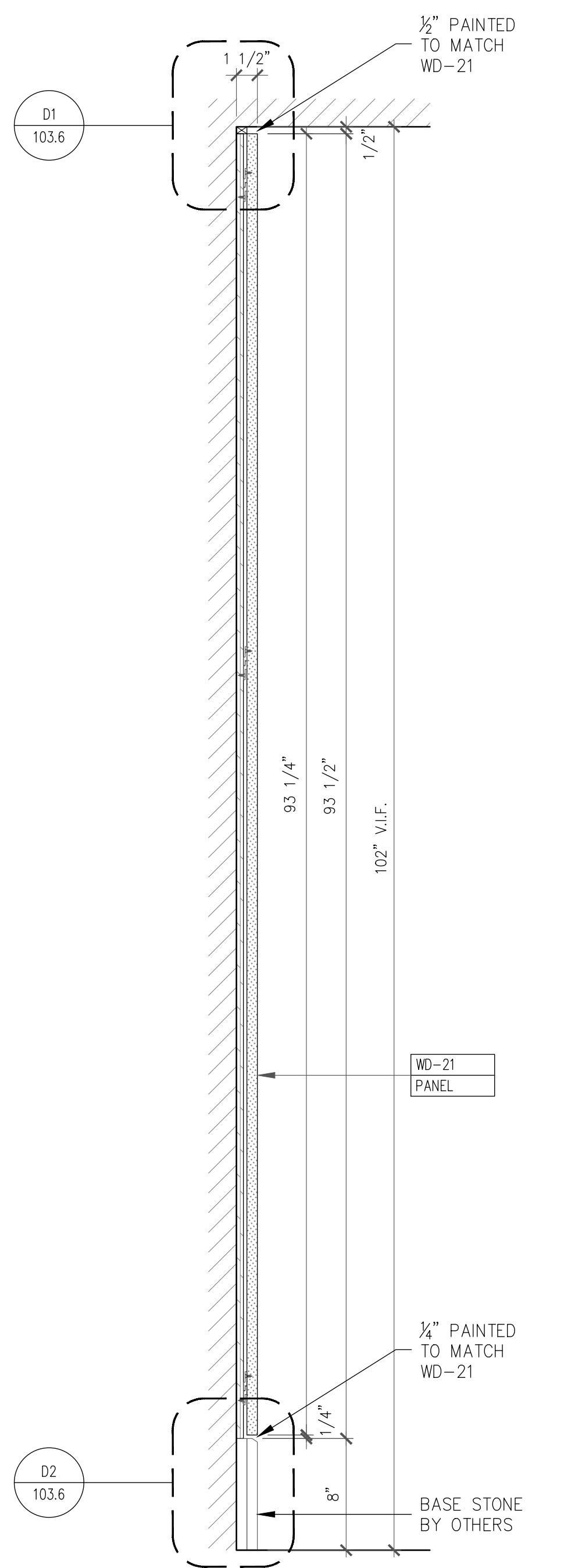


ITEM
 LEVEL 2
 WALL PANELING
 CLUBHOUSE BEHIND FRONT DESK

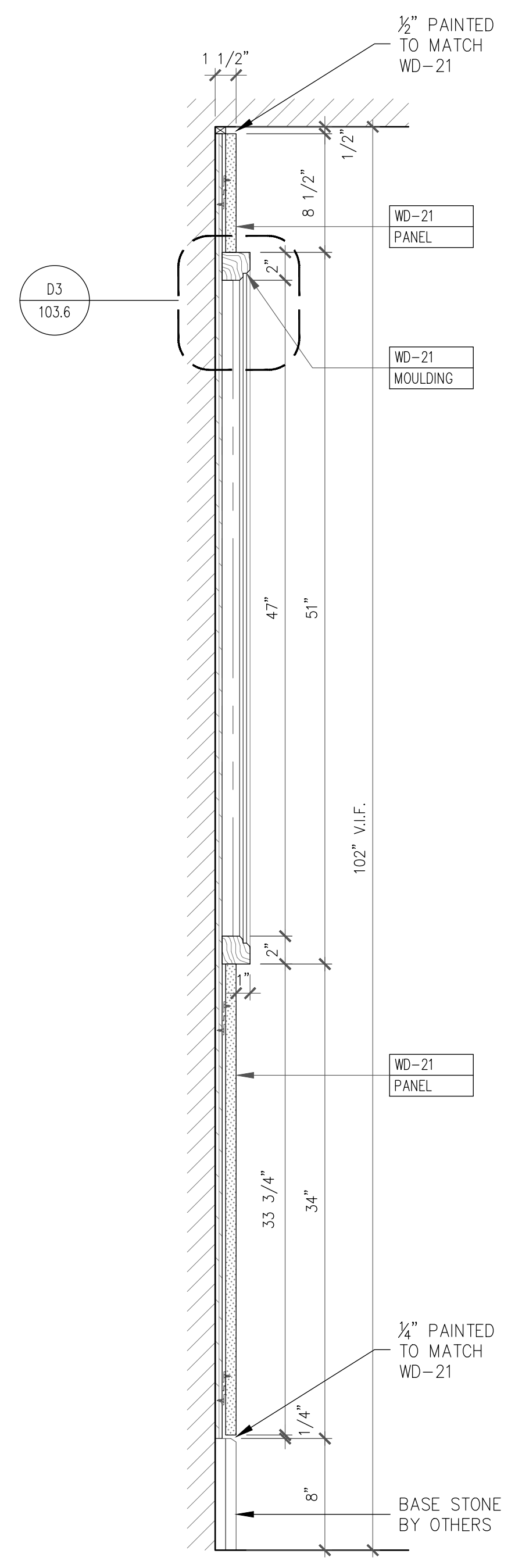
PROJECT
MAUI BAY VILLAS
 LOCATION
KIHEI, MAUI, HAWAII

DRAWN	HD
CHECKED	RT
DATE	10/10/2019
SCALE	AS NOTED
JOB NO.	2129
SHEET	103.4
1 of 2	

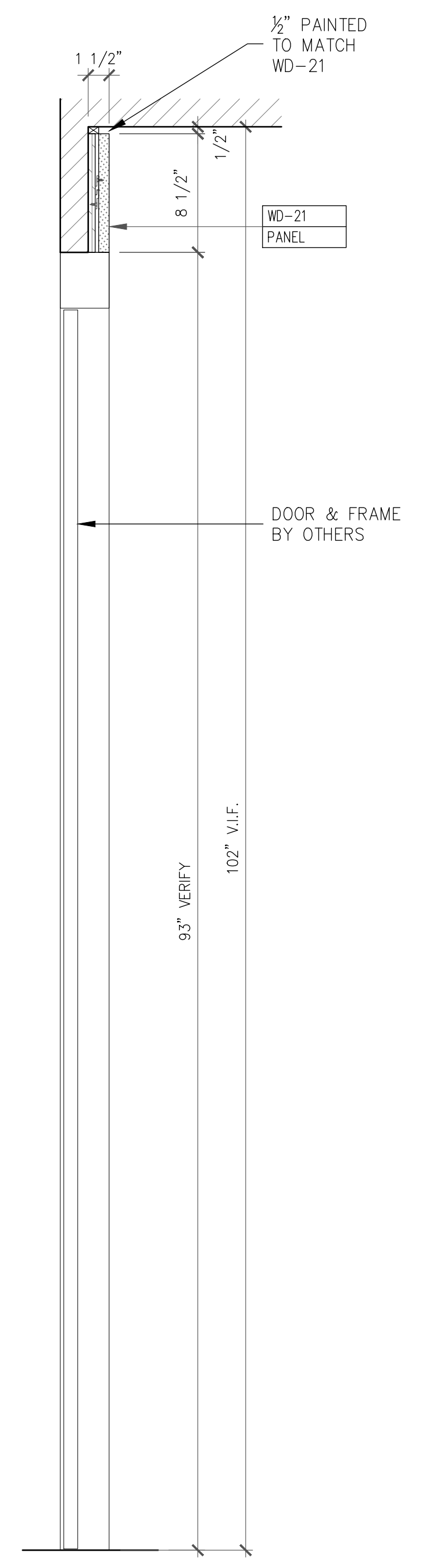
REVISIONS	BY



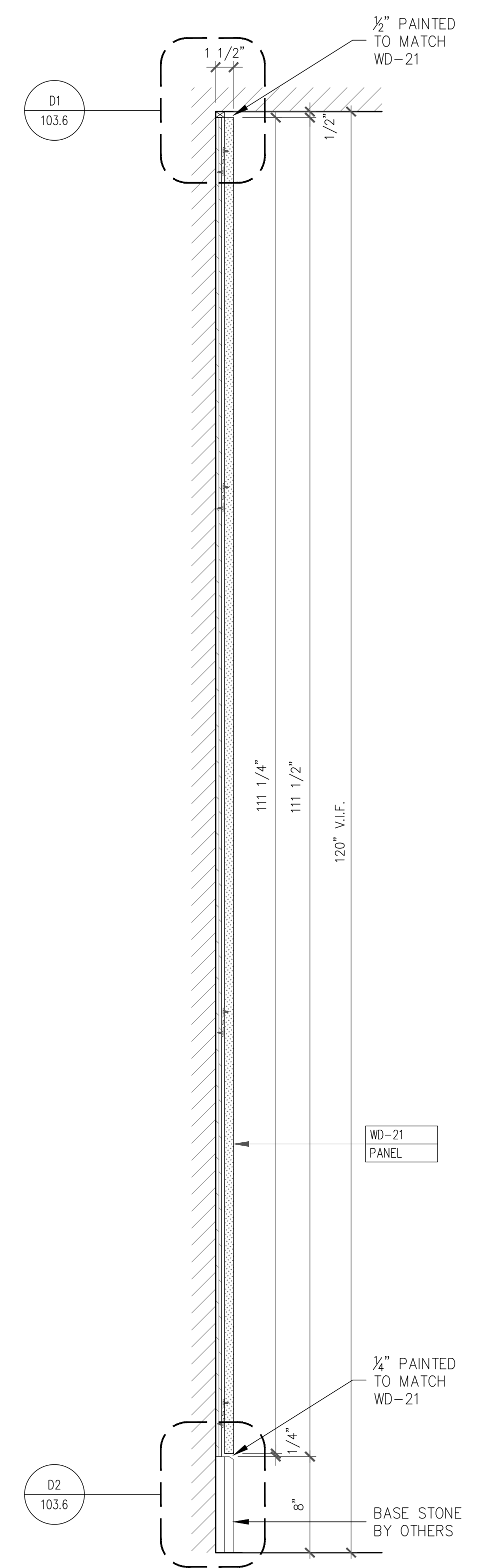
3 SECTION
REF: 8/1D-CH2-DT-2.08 SCALE: 1-1/2" = 1'-0"



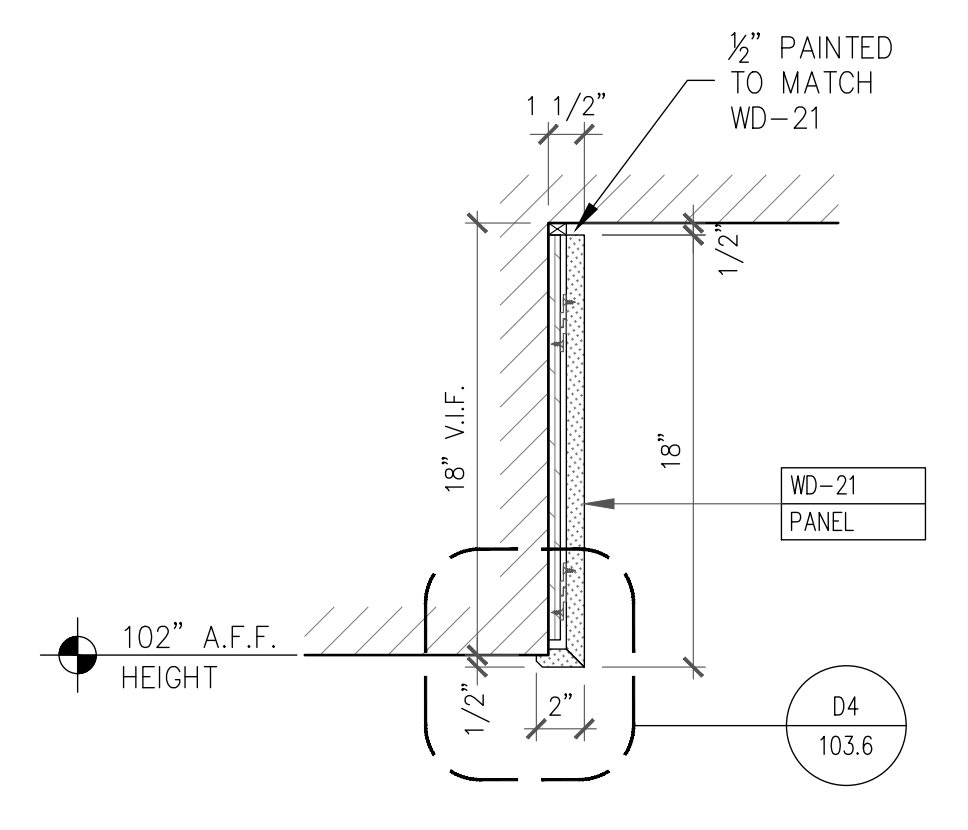
4 SECTION
REF: 9/1D-CH2-DT-2.08 SCALE: 1-1/2" = 1'-0"



5 SECTION
REF: NONE SCALE: 1-1/2" = 1'-0"



6 SECTION
REF: 8/1D-CH2-DT-2.08 SCALE: 1-1/2" = 1'-0"



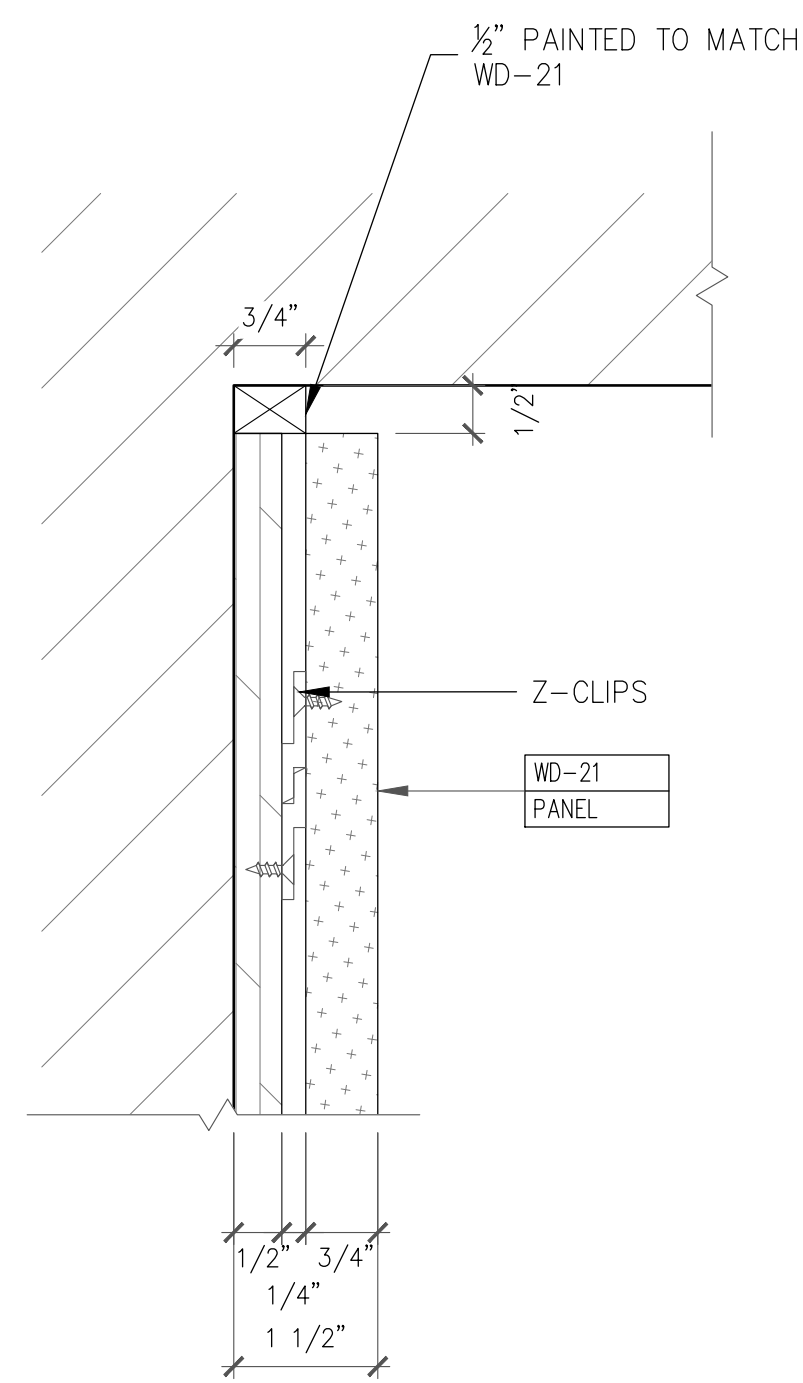
7 SECTION
REF: 8/1D-CH2-DT-2.08 SCALE: 1-1/2" = 1'-0"

PROJECT **MAUI BAY VILLAS**
LOCATION **KIHEI, MAUI, HAWAII**

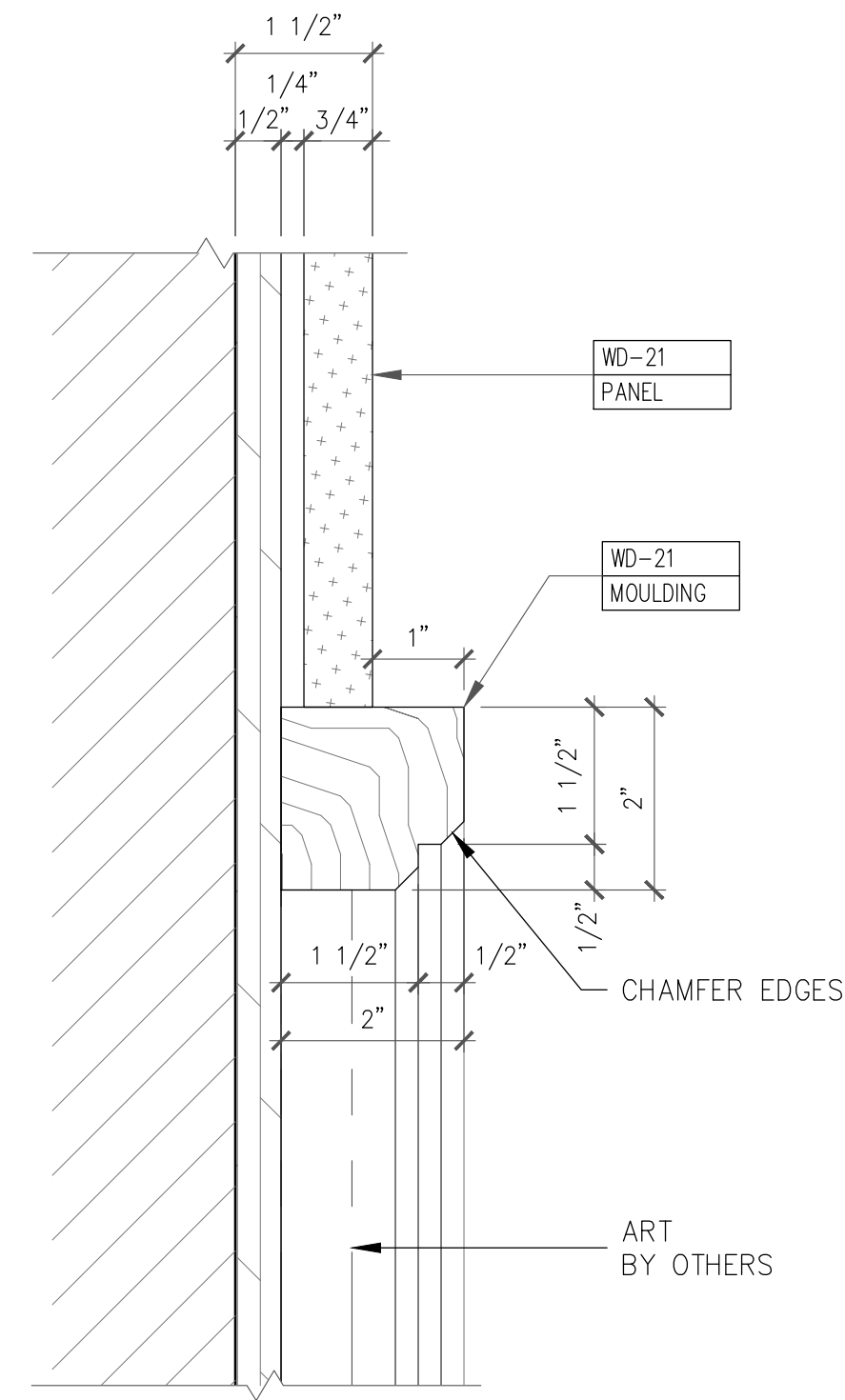
ITEM **LEVEL 2 WALL PANELING CLUBHOUSE BEHIND FRONT DESK**

DRAWN **HD**
CHECKED **RT**
DATE **10/10/2019**
SCALE **AS NOTED**
JOB NO. **2129**

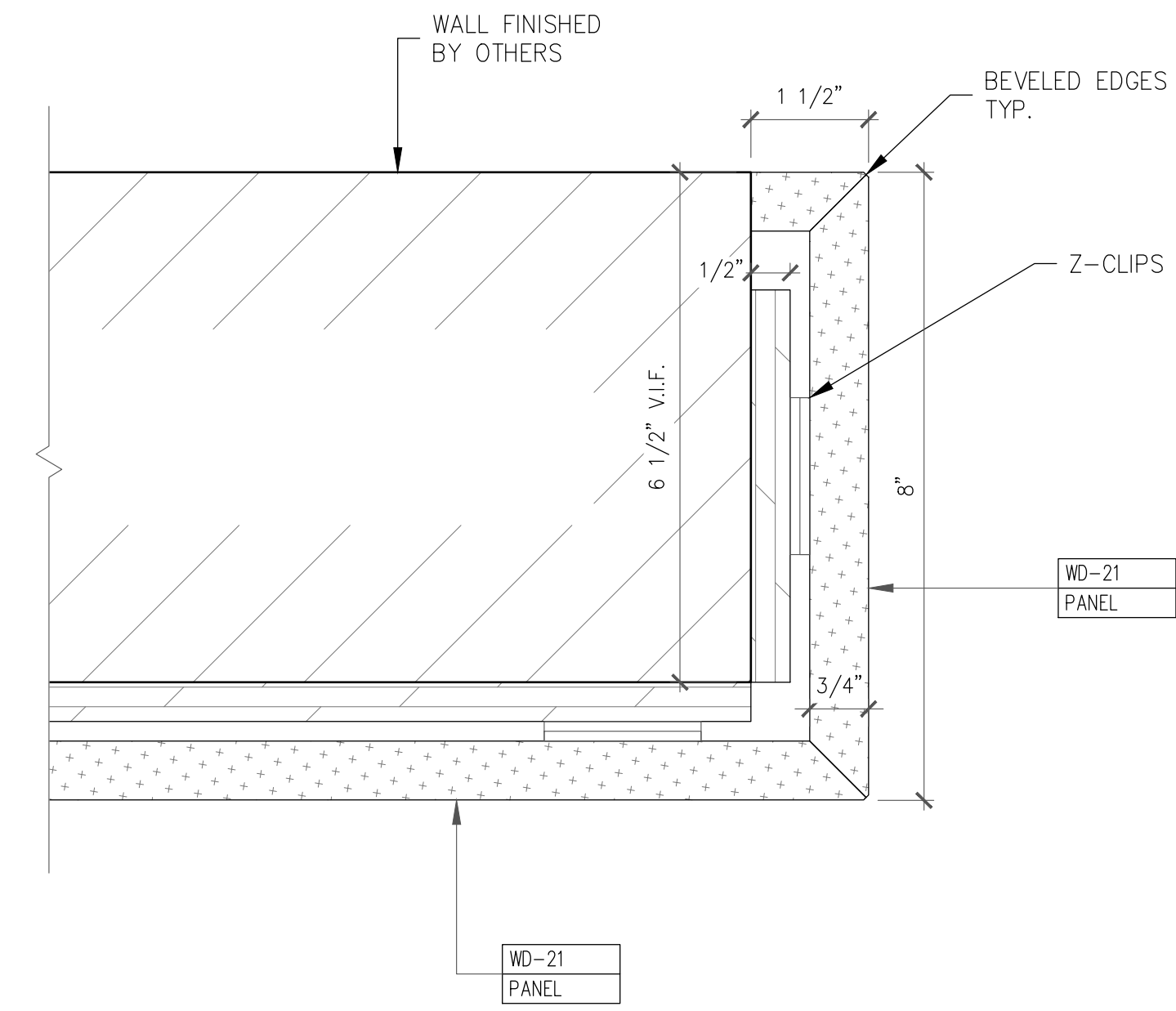
SHEET **103.5**
1 of 2



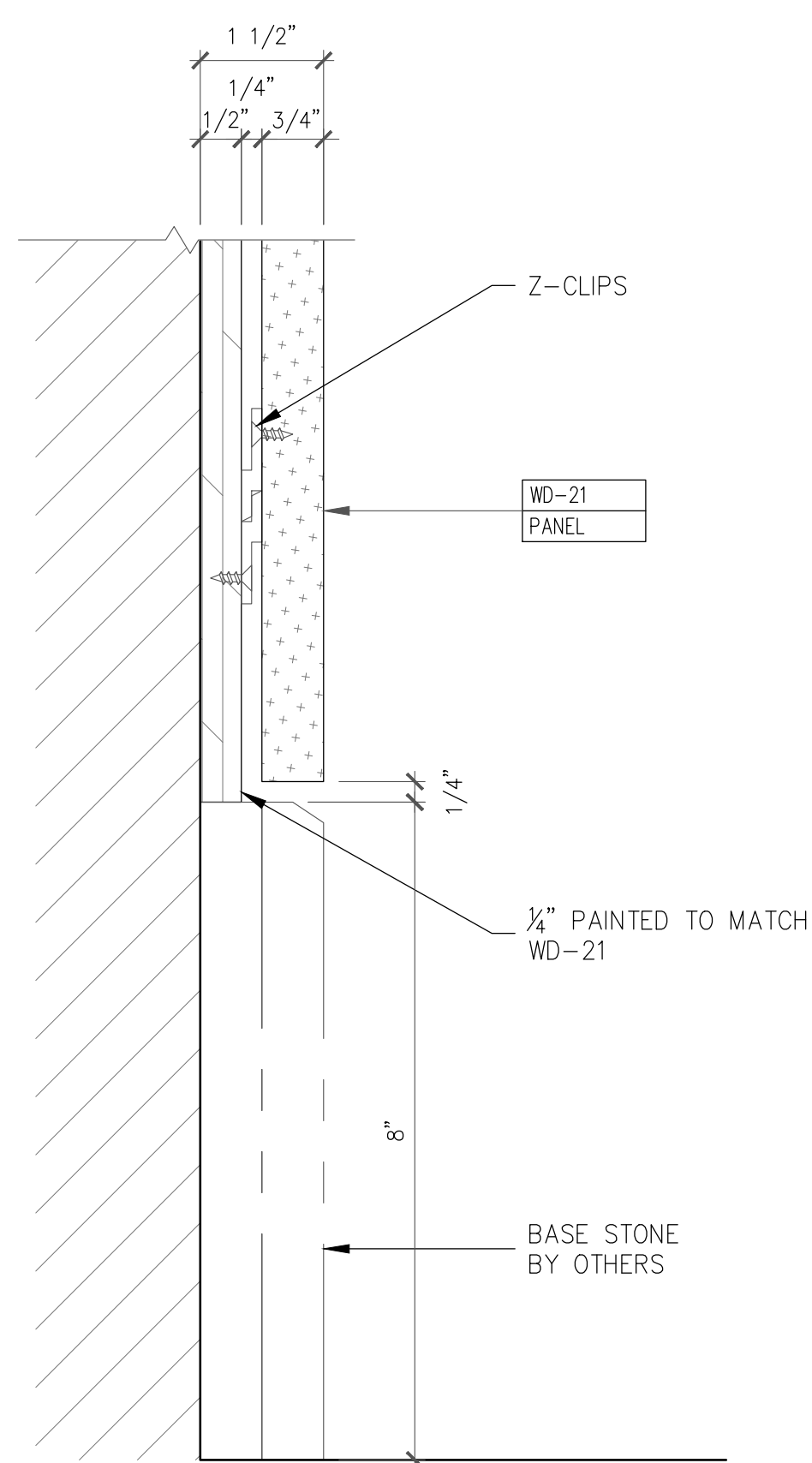
D1 DETAIL
REF: NONE SCALE: 6" = 1'-0"



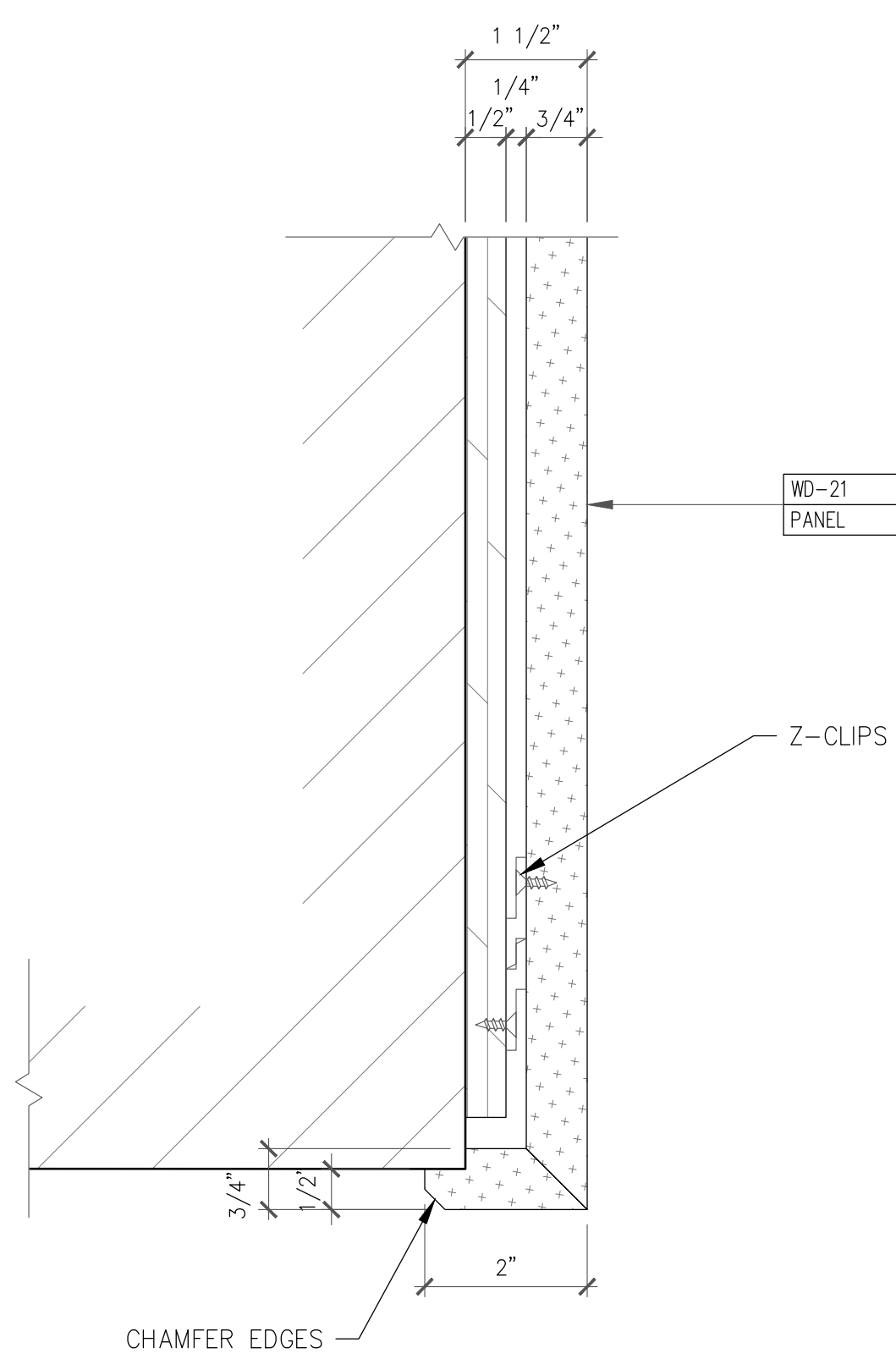
D3 DETAIL
REF: NONE SCALE: 6" = 1'-0"



D5 DETAIL
REF: 6/10-CH12-DT-2.08 SCALE: 6" = 1'-0"

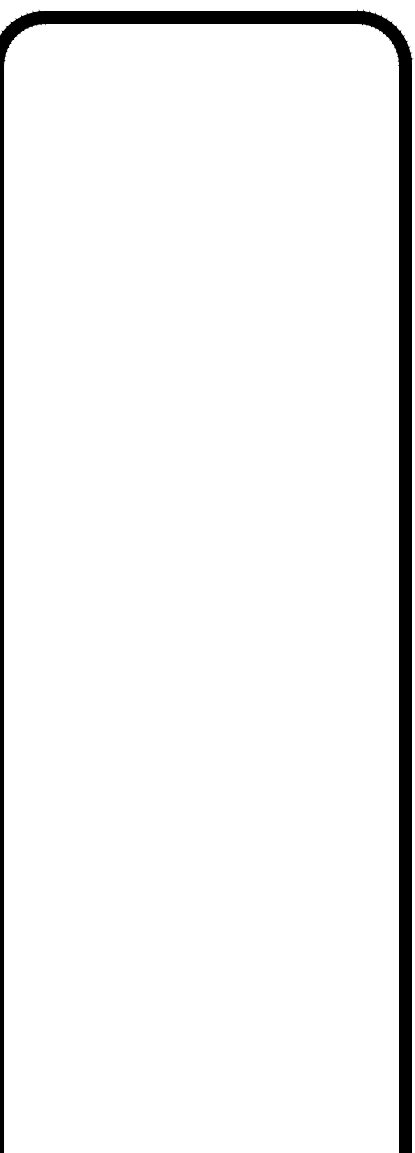


D2 DETAIL
REF: NONE SCALE: 6" = 1'-0"



D4 DETAIL
REF: NONE SCALE: 6" = 1'-0"

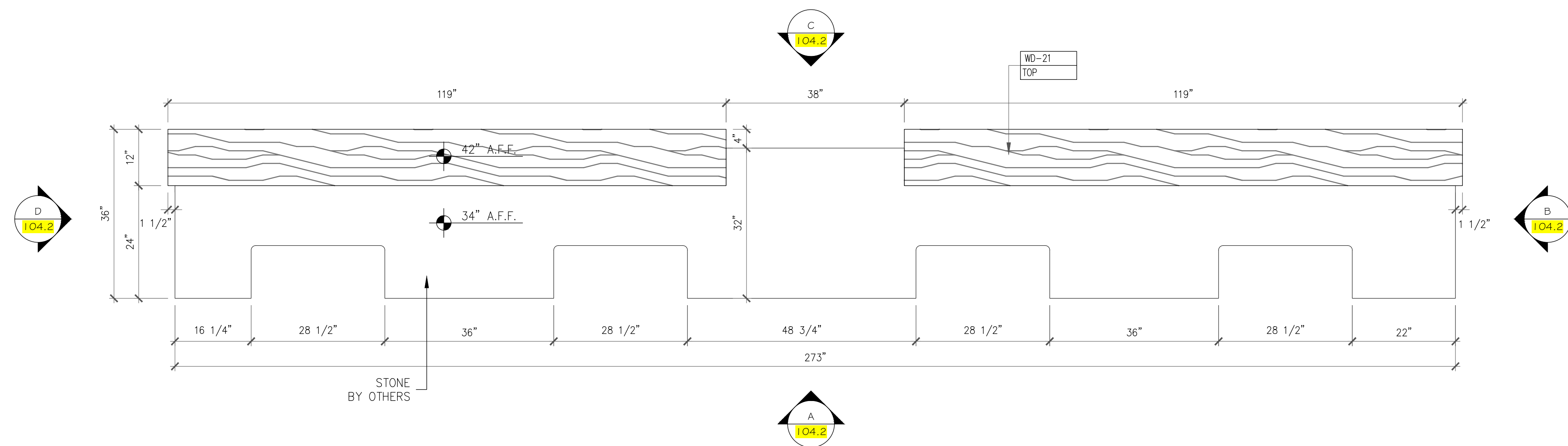
REVISIONS	BY



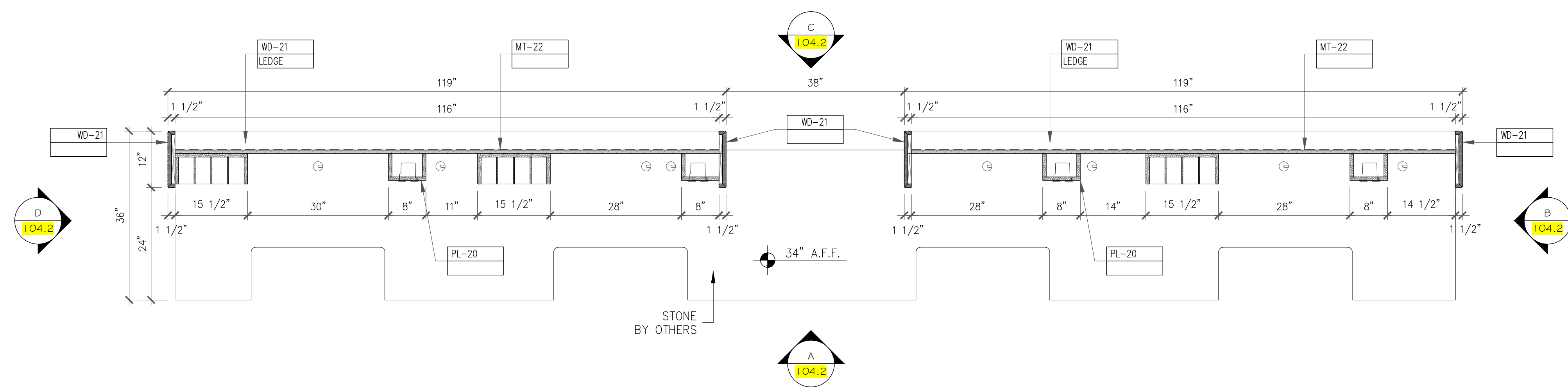
LEVEL 2
WALL PANELING
CLUBHOUSE BEHIND FRONT DESK

PROJECT
MAUI BAY VILLAS
LOCATION
KIHEI, MAUI, HAWAII

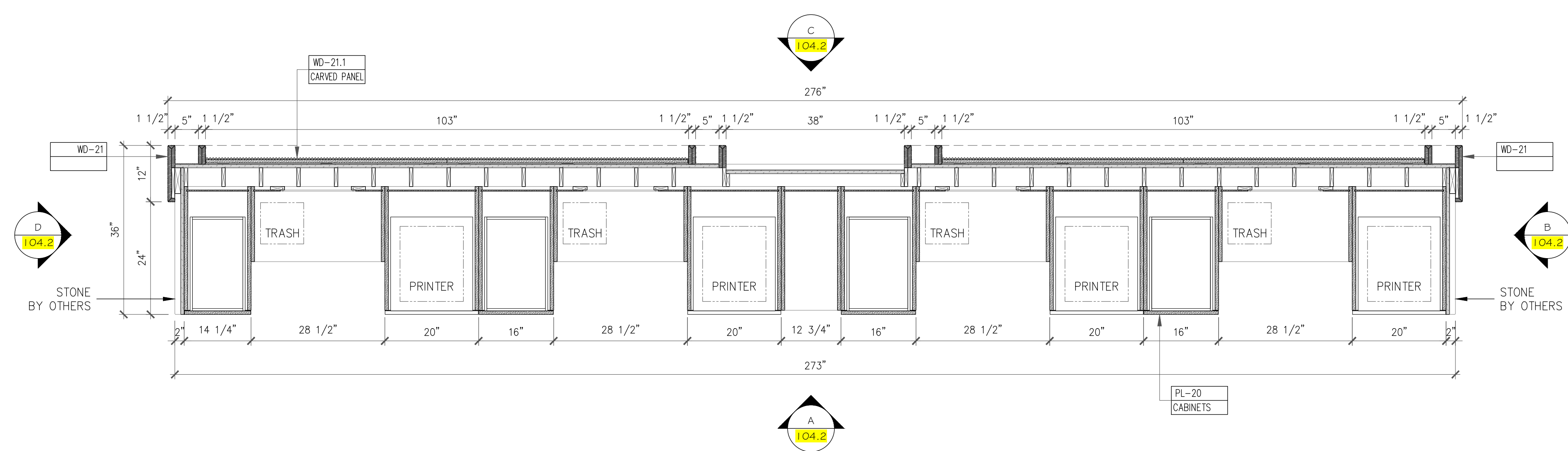
DRAWN	HD
CHECKED	RT
DATE	10/10/2019
SCALE	AS NOTED
JOB NO.	2129
SHEET	103.6
1 of 2	



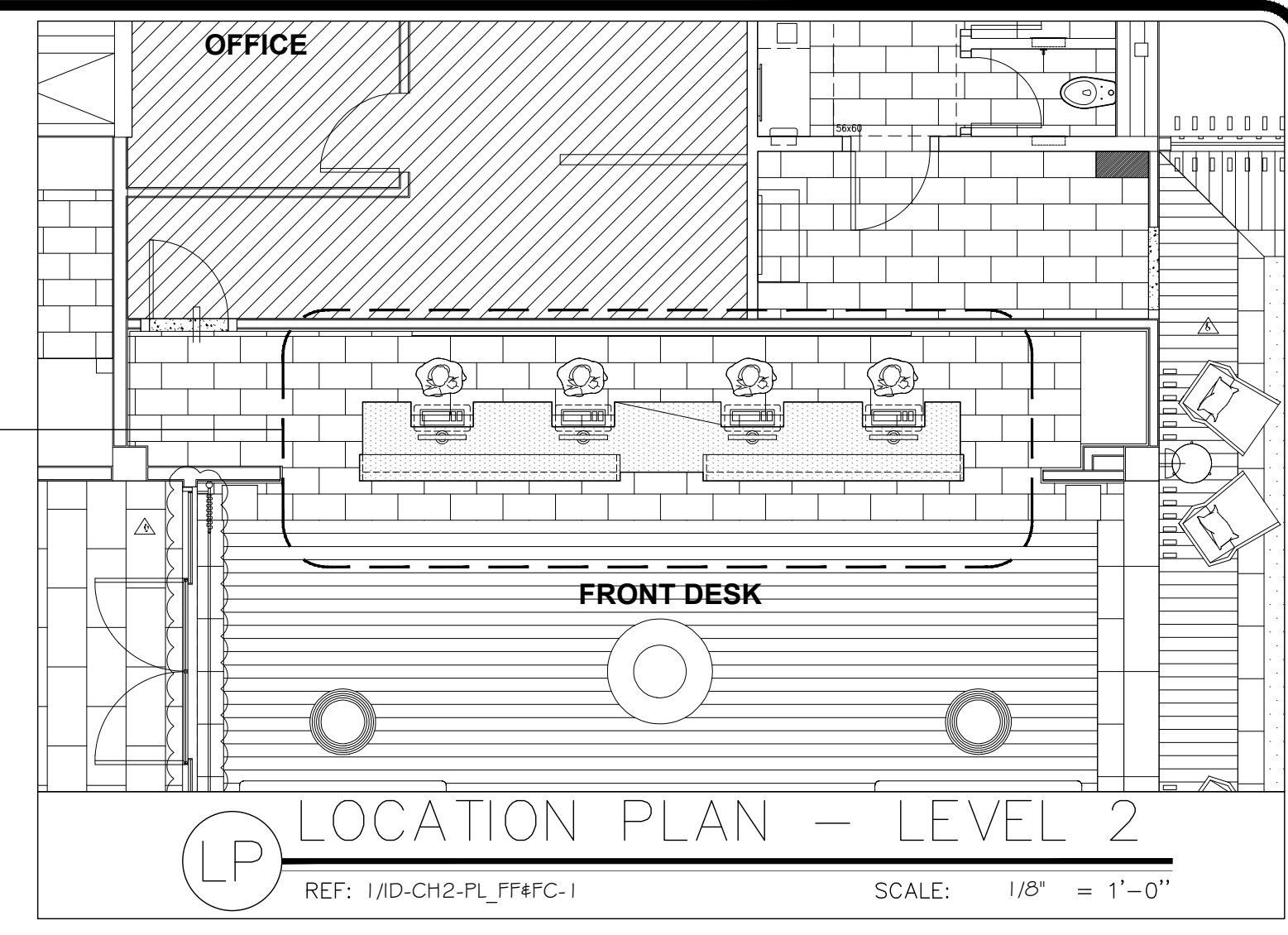
1 PLAN VIEW: RECEPTION DESK
 REF: 1/ID-CH2-DT-2.07 SCALE: 3/4" = 1'-0"



2 PLAN SECTION: RECEPTION DESK
 REF: 4/ID-CH2-DT-2.07 SCALE: 3/4" = 1'-0"



3 PLAN SECTION: RECEPTION DESK
 REF: 4/ID-CH2-DT-2.07 SCALE: 3/4" = 1'-0"



LP LOCATION PLAN - LEVEL 2
 REF: 1/ID-CH2-PL_FF#FC-1 SCALE: 1/8" = 1'-0"

REVISIONS	BY

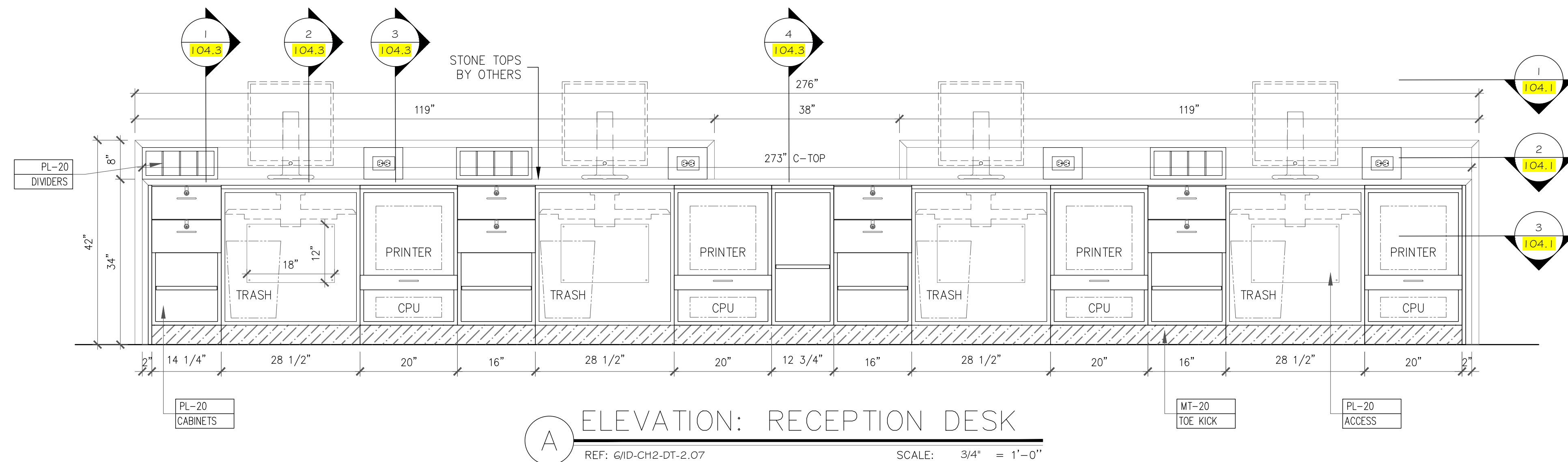
LEVEL 2
 CLUBHOUSE
 RECEPTION DESK

PROJECT
MAUI BAY VILLAS

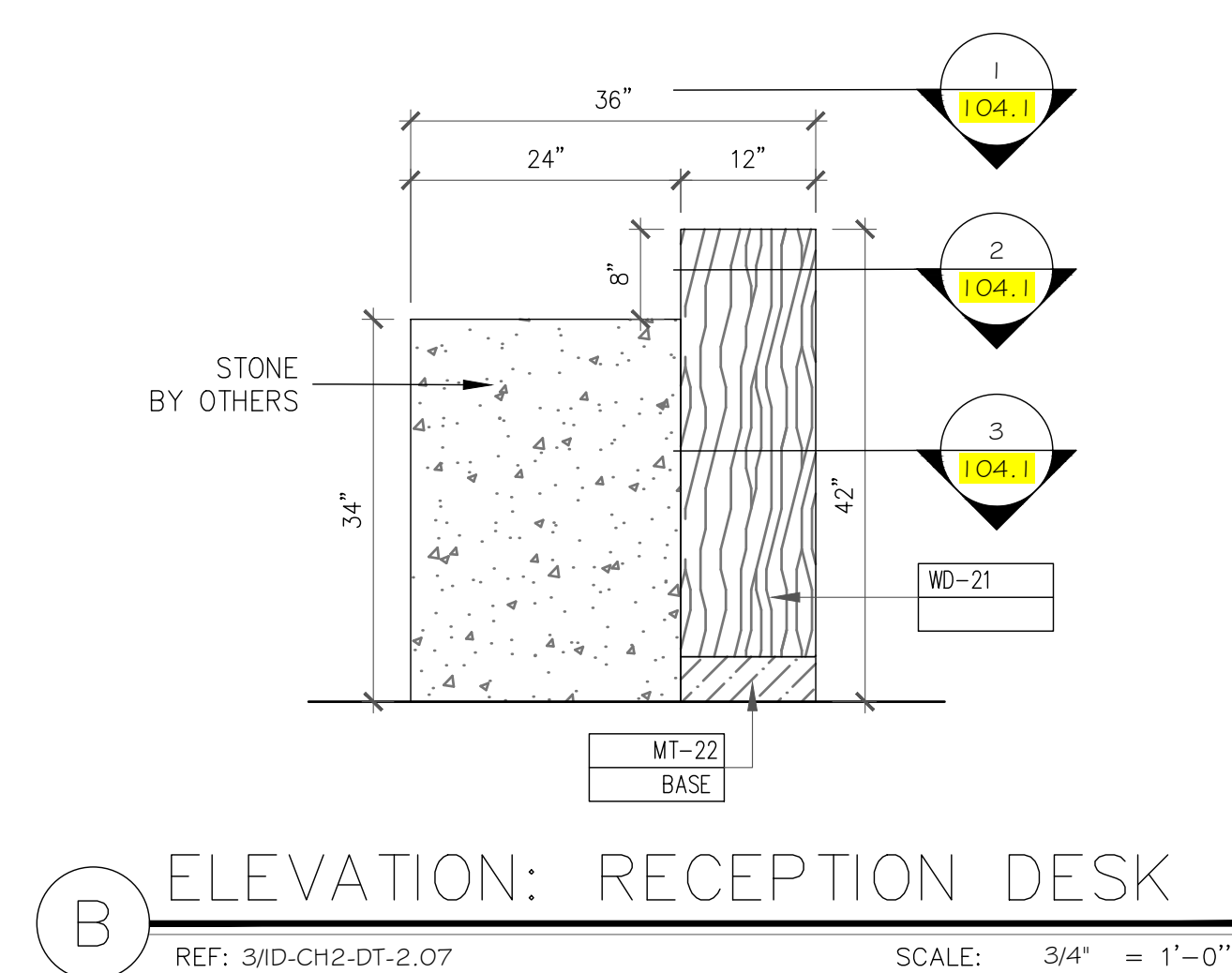
LOCATION
KIHEI, MAUI, HAWAII

DRAWN	HD
CHECKED	RT
DATE	10/10/2019
SCALE	AS NOTED
JOB NO.	2129
SHEET	104.1
1 of 3	

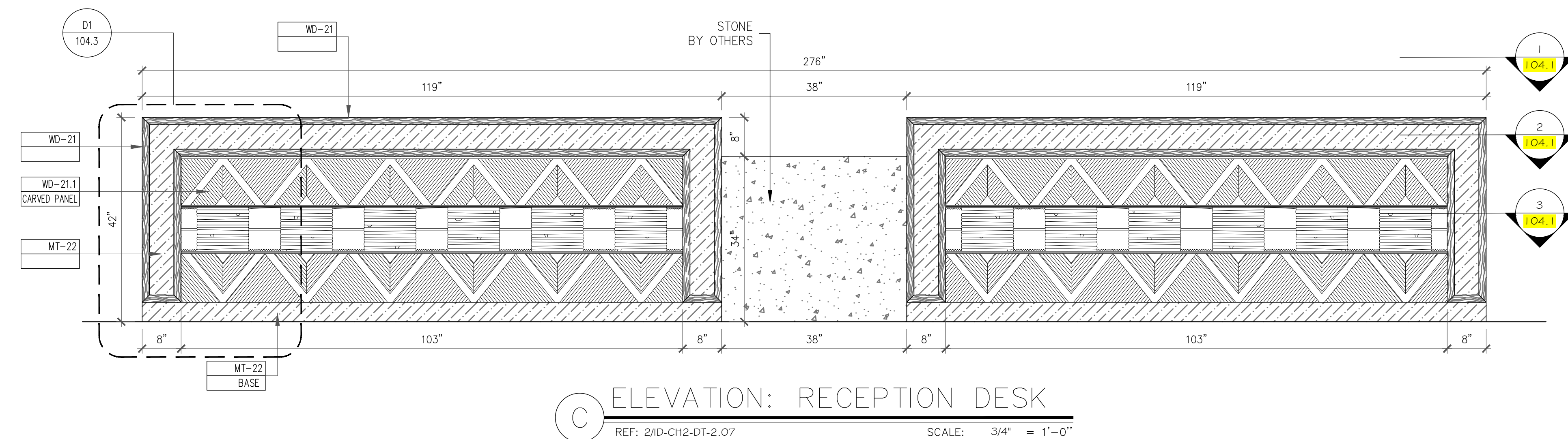
REVISIONS	BY



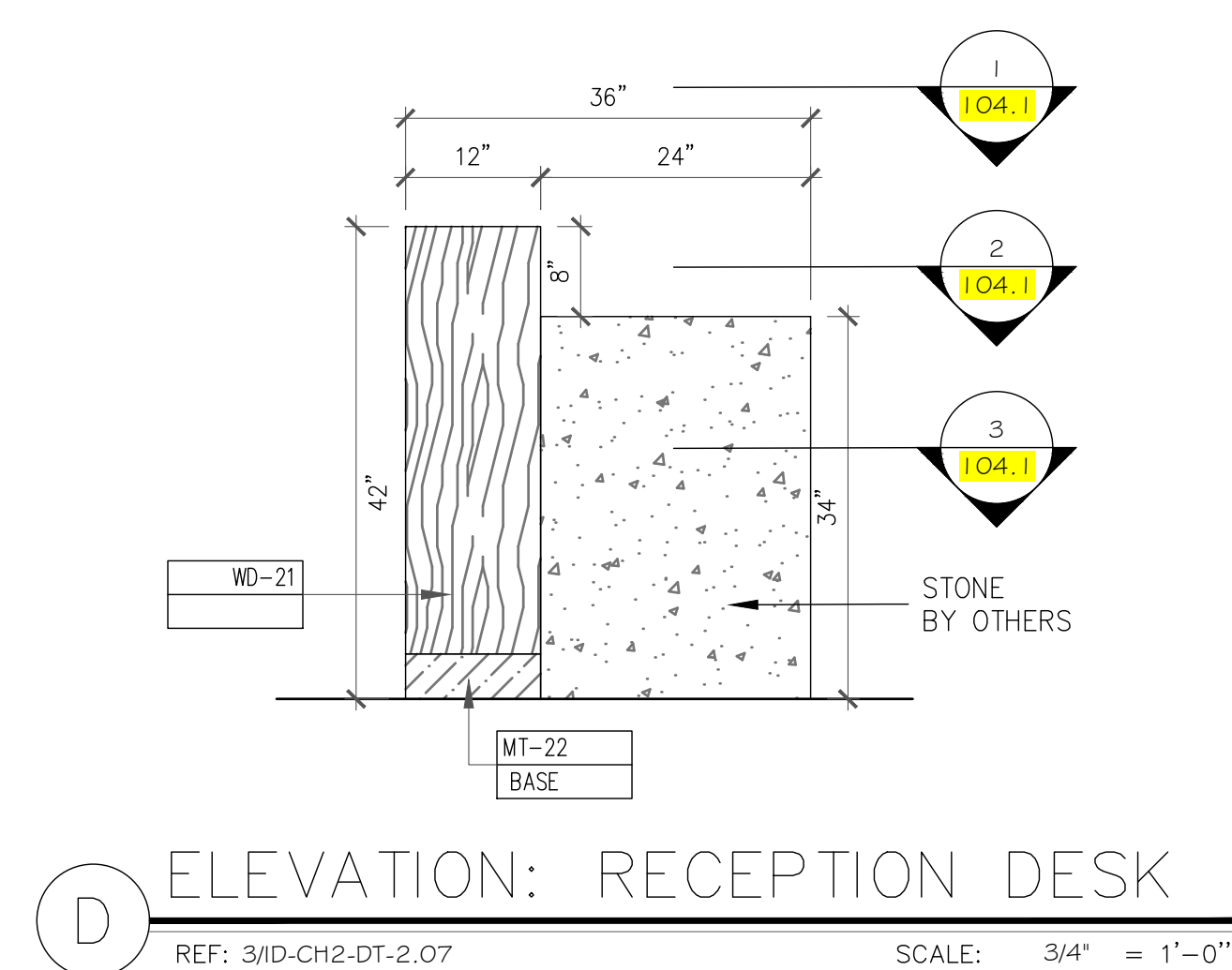
A ELEVATION: RECEPTION DESK
 REF: 6/D-CH2-DT-2.07 SCALE: 3/4" = 1'-0"



B ELEVATION: RECEPTION DESK
 REF: 3/D-CH2-DT-2.07 SCALE: 3/4" = 1'-0"



C ELEVATION: RECEPTION DESK
 REF: 2/D-CH2-DT-2.07 SCALE: 3/4" = 1'-0"



D ELEVATION: RECEPTION DESK
 REF: 3/D-CH2-DT-2.07 SCALE: 3/4" = 1'-0"

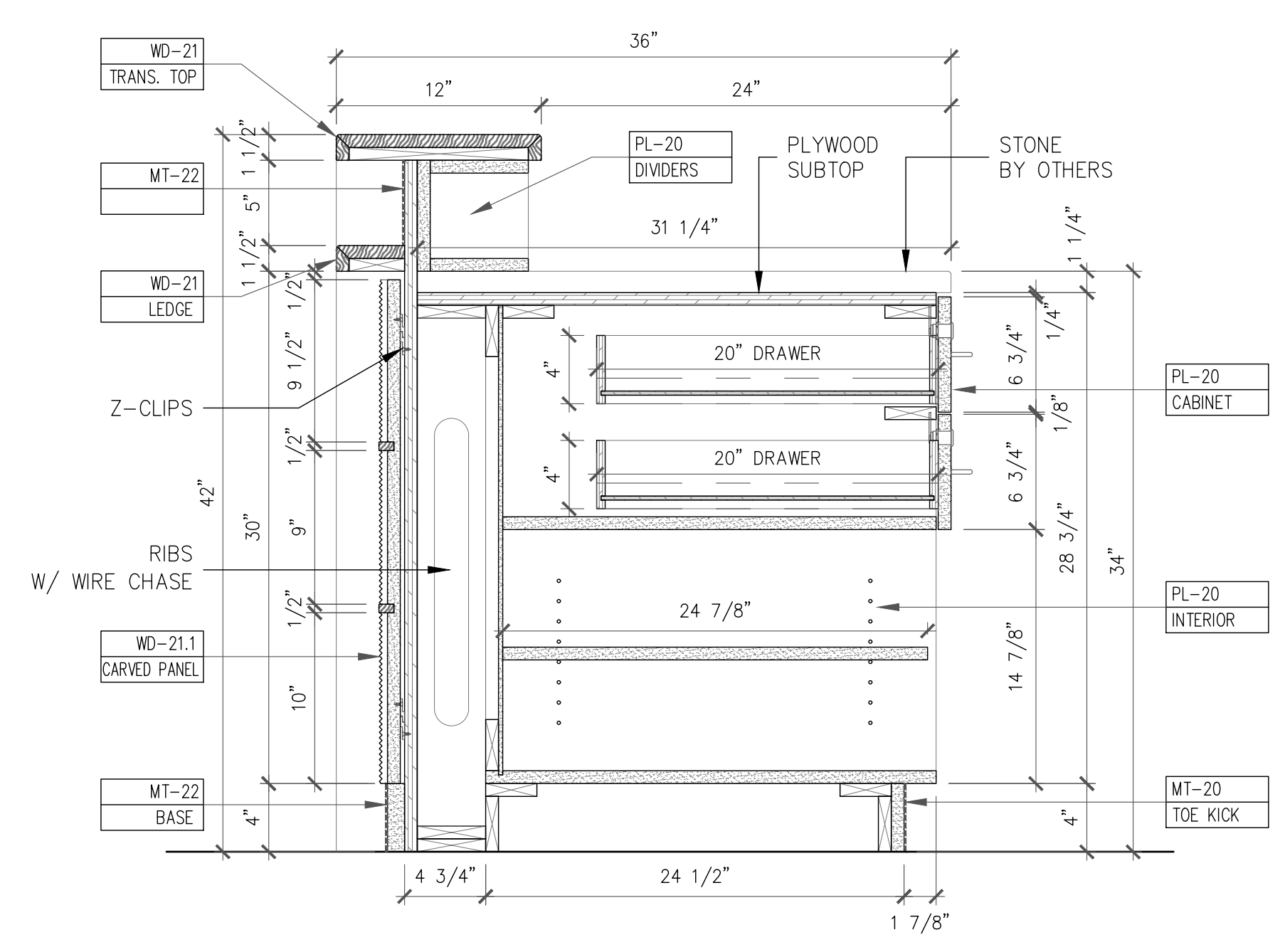
LEVEL 2
 CLUBHOUSE
 RECEPTION DESK

PROJECT
MAUI BAY VILLAS

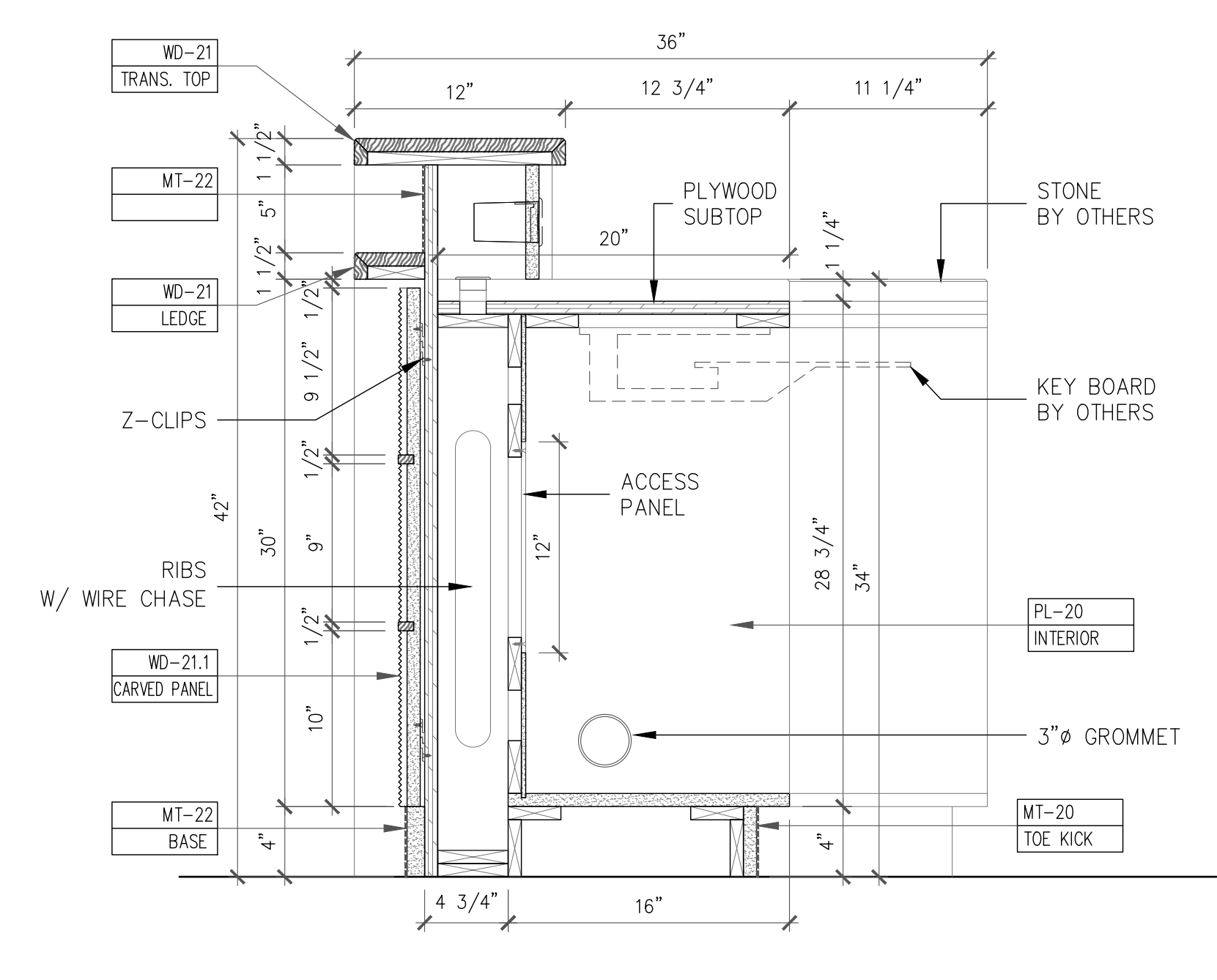
LOCATION
KIHEI, MAUI, HAWAII

DRAWN	HD
CHECKED	RT
DATE	10/10/2019
SCALE	AS NOTED
JOB NO.	2129
SHEET	104.2
2 of 3	

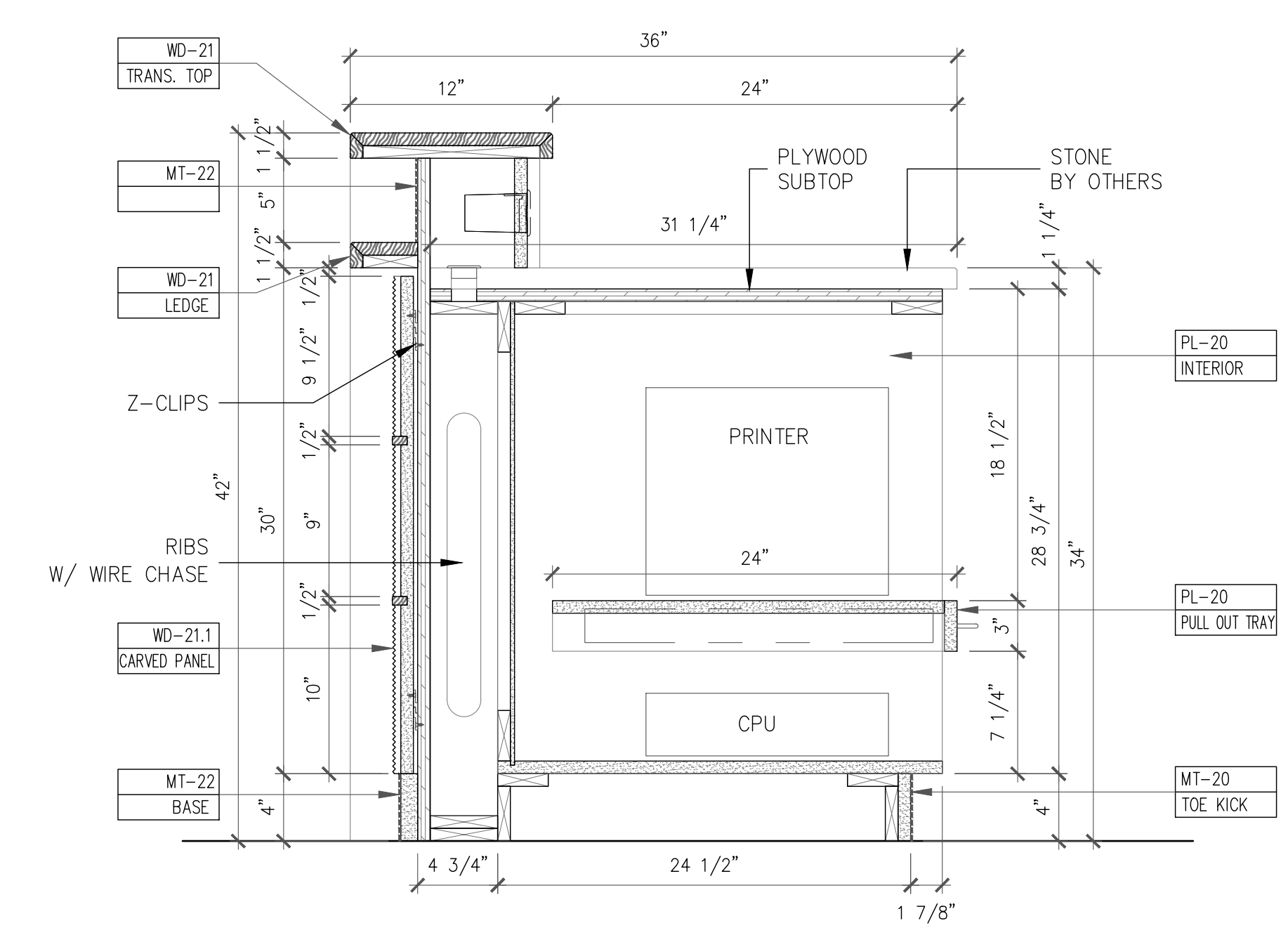
REVISIONS	BY



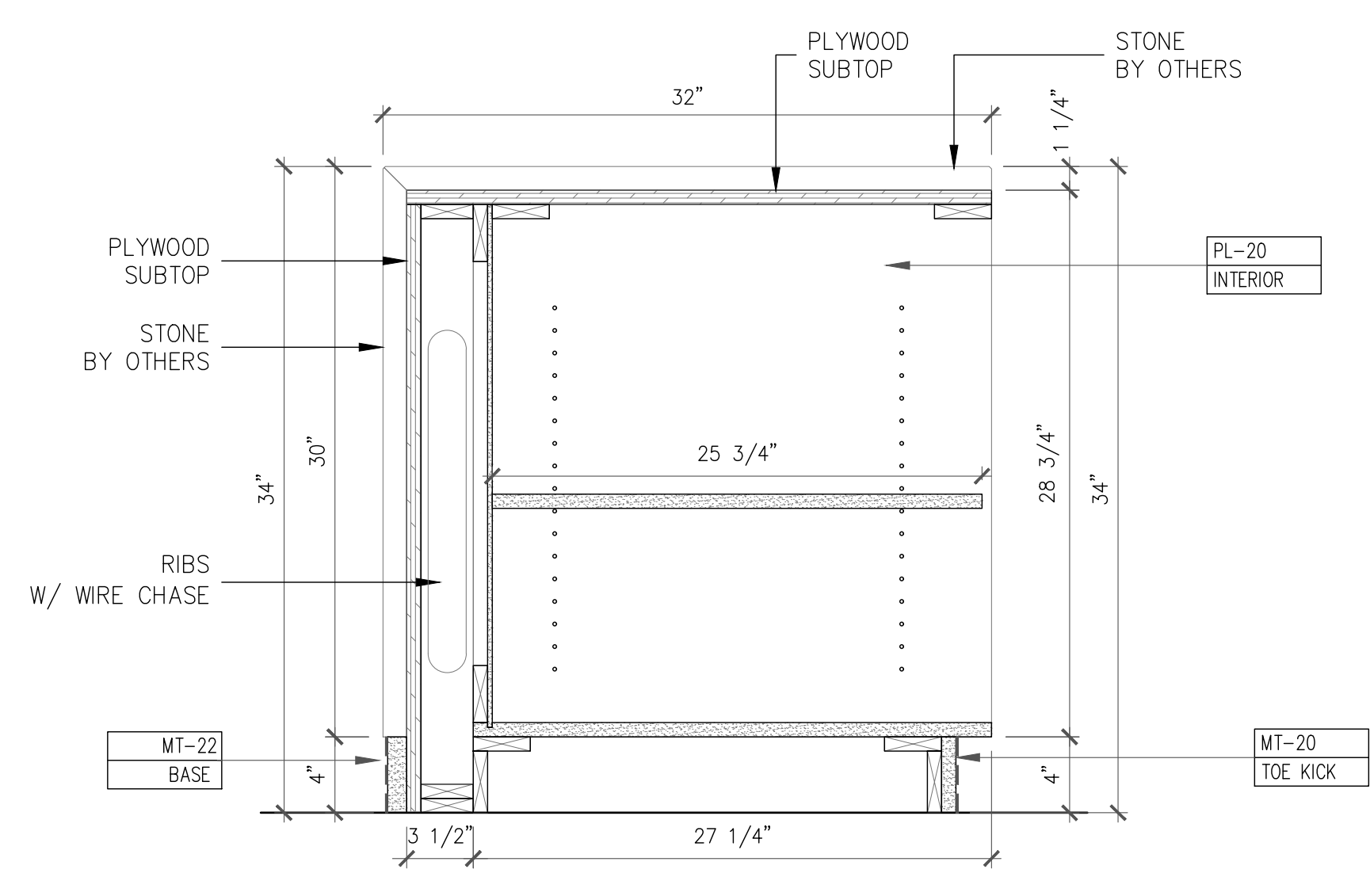
1 SECTION
 REF: 9/1D-CH2-DT-2.07 SCALE: 1-1/2" = 1'-0"



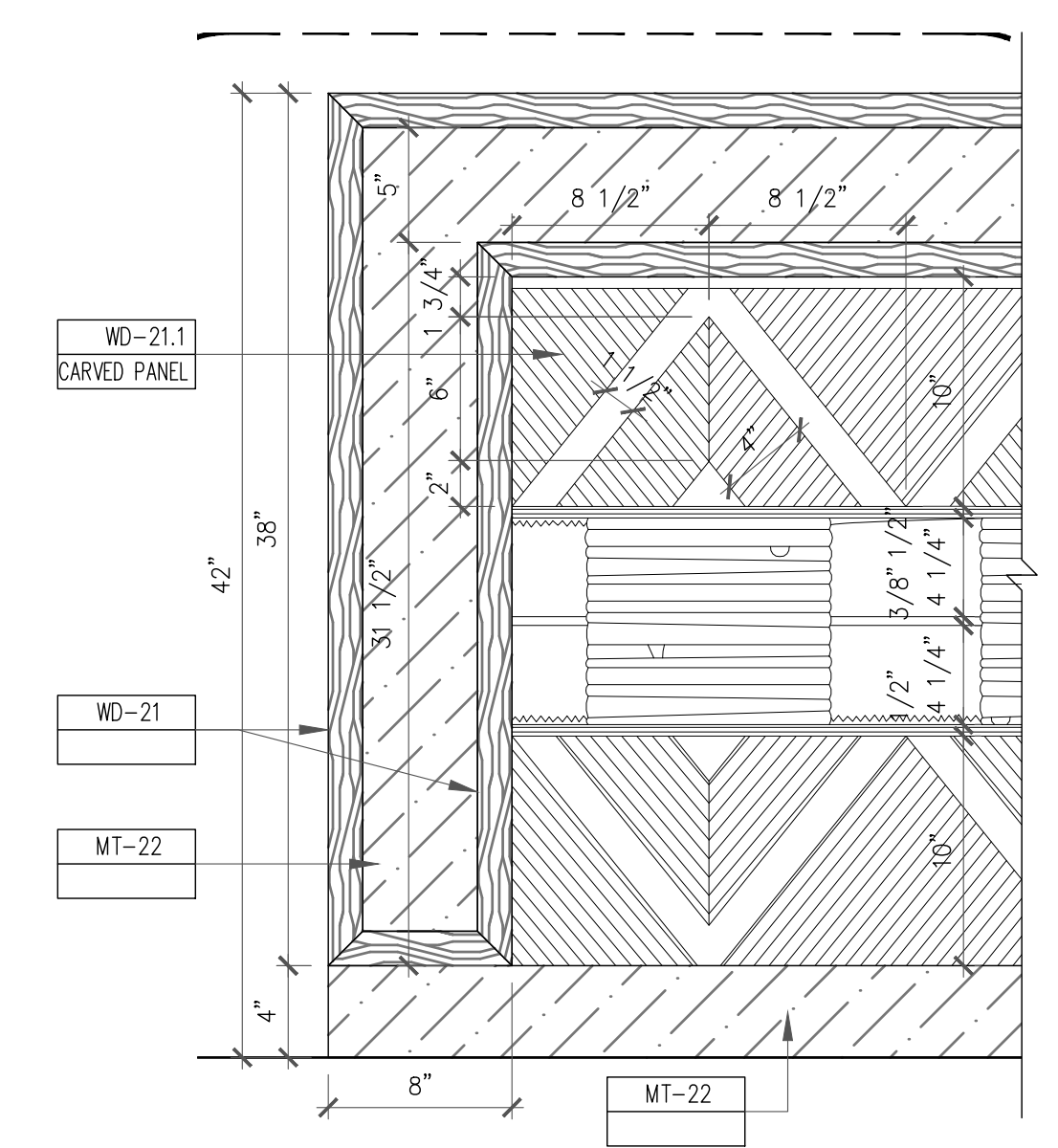
2 SECTION
 REF: 10/1D-CH2-DT-2.07 SCALE: 1-1/2" = 1'-0"



3 SECTION
 REF: 11/1D-CH2-DT-2.07 SCALE: 1-1/2" = 1'-0"



4 SECTION
 REF: 12/1D-CH2-DT-2.07 SCALE: 1-1/2" = 1'-0"



D1 DETAIL
 REF: 8/1D-CH2-DT-2.07 SCALE: 1 1/2" = 1'-0"

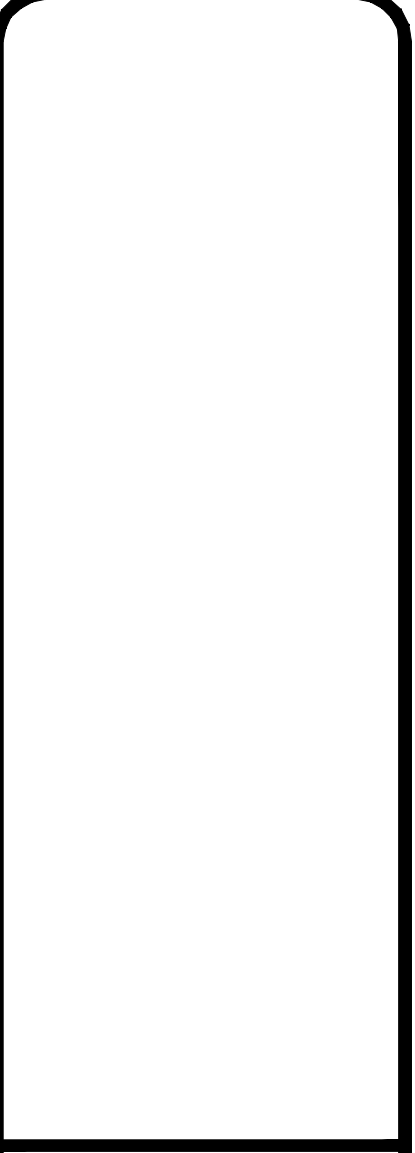
PROJECT
MAUI BAY VILLAS
 LOCATION
KIHEI, MAUI, HAWAII

ITEM
 LEVEL 2
 CLUBHOUSE
 RECEPTION DESK

DRAWN
 HD
 CHECKED
 RT
 DATE
 10/10/2019
 SCALE
 AS NOTED
 JOB NO.

2129
 SHEET
104.3
 3 of 3

REVISIONS	BY

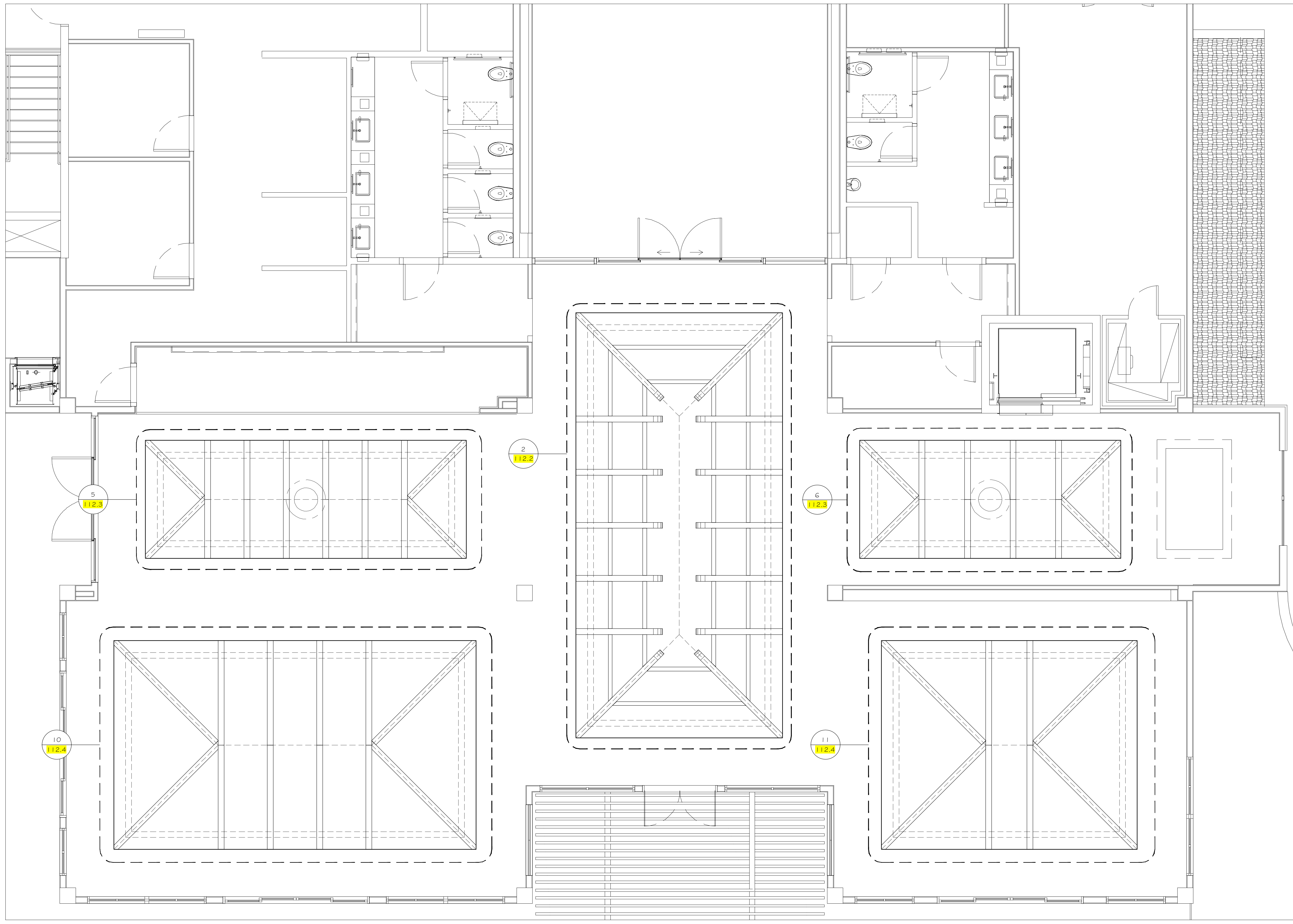


LEVEL 2
CLUBHOUSE
CEILING BEAMS

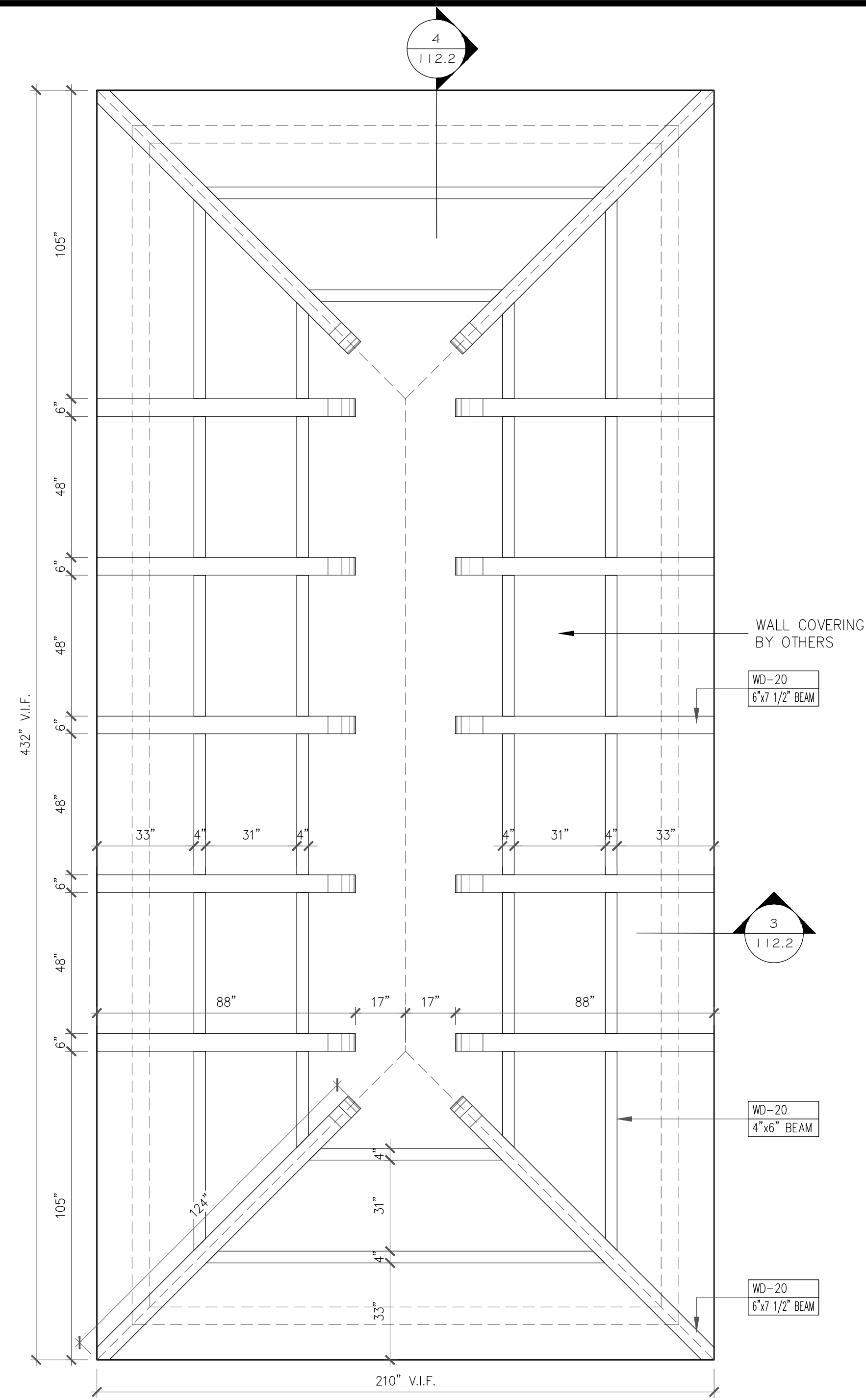
PROJECT
MAUI BAY VILLAS
LOCATION
KIHEI, MAUI, HAWAII

DRAWN
HD
CHECKED
RT
DATE
10/10/2019
SCALE
AS NOTED
JOB NO.

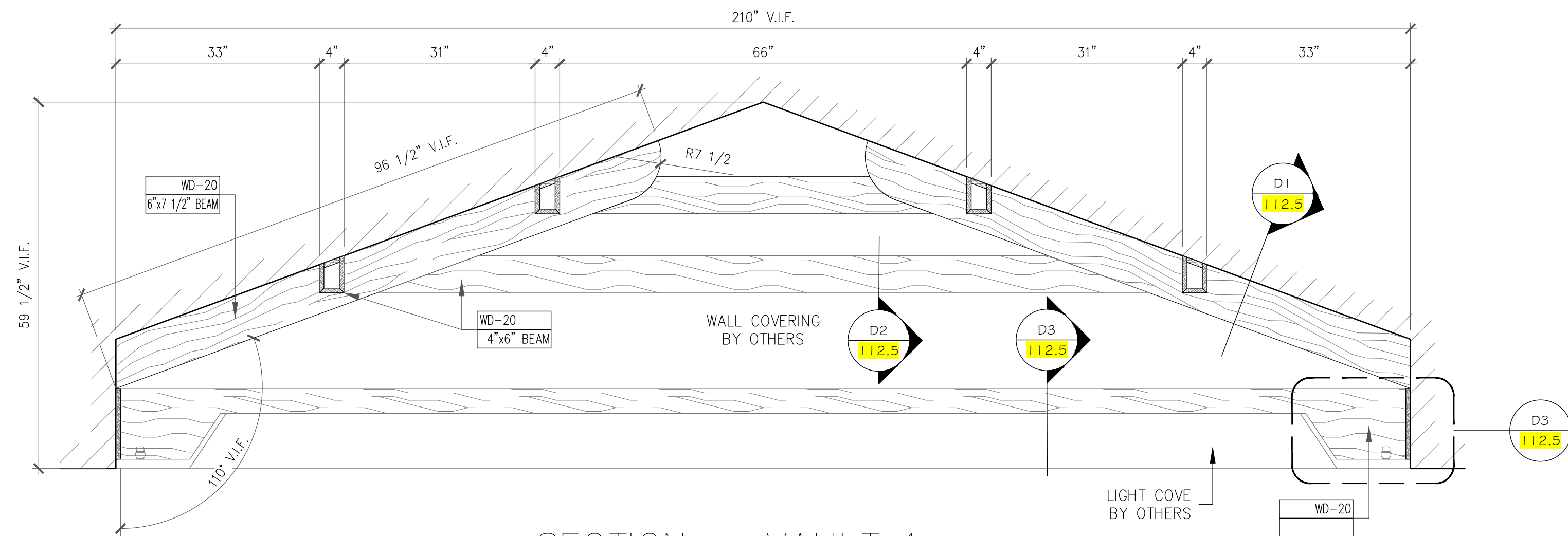
2129
SHEET
112.1
1 of 5



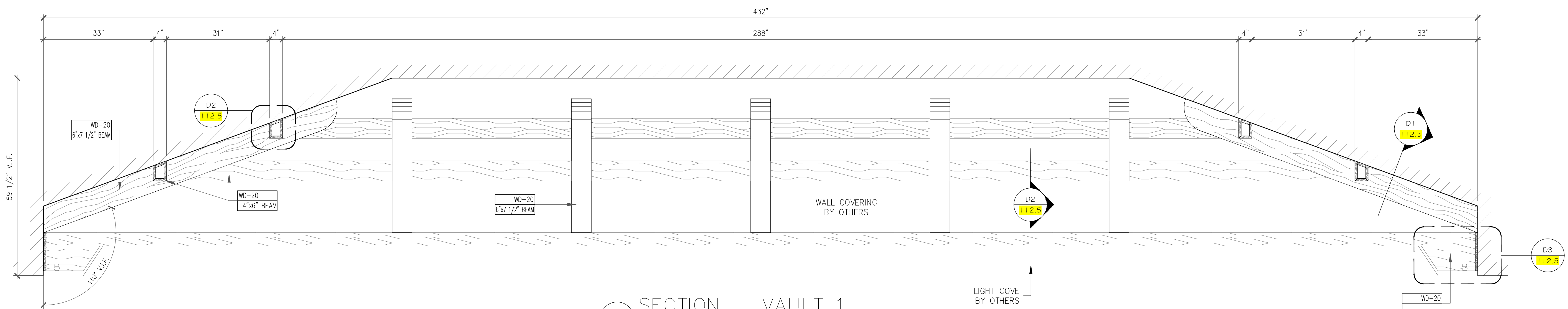
1 LOCATION PLAN - CLUBHOUSE
REF: 1/ID-CH2-DT-1.01 SCALE: 1/4" = 1'-0"



2 RCP - VAULT 1
REF: 2/ID-CH2-DT-1.01 SCALE: 3/8" = 1'-0"



3 SECTION - VAULT 1
REF: 2/ID-CH2-DT-1.01 SCALE: 3/4" = 1'-0"



4 SECTION - VAULT 1
REF: 9/ID-CH2-DT-1.01 SCALE: 3/4" = 1'-0"

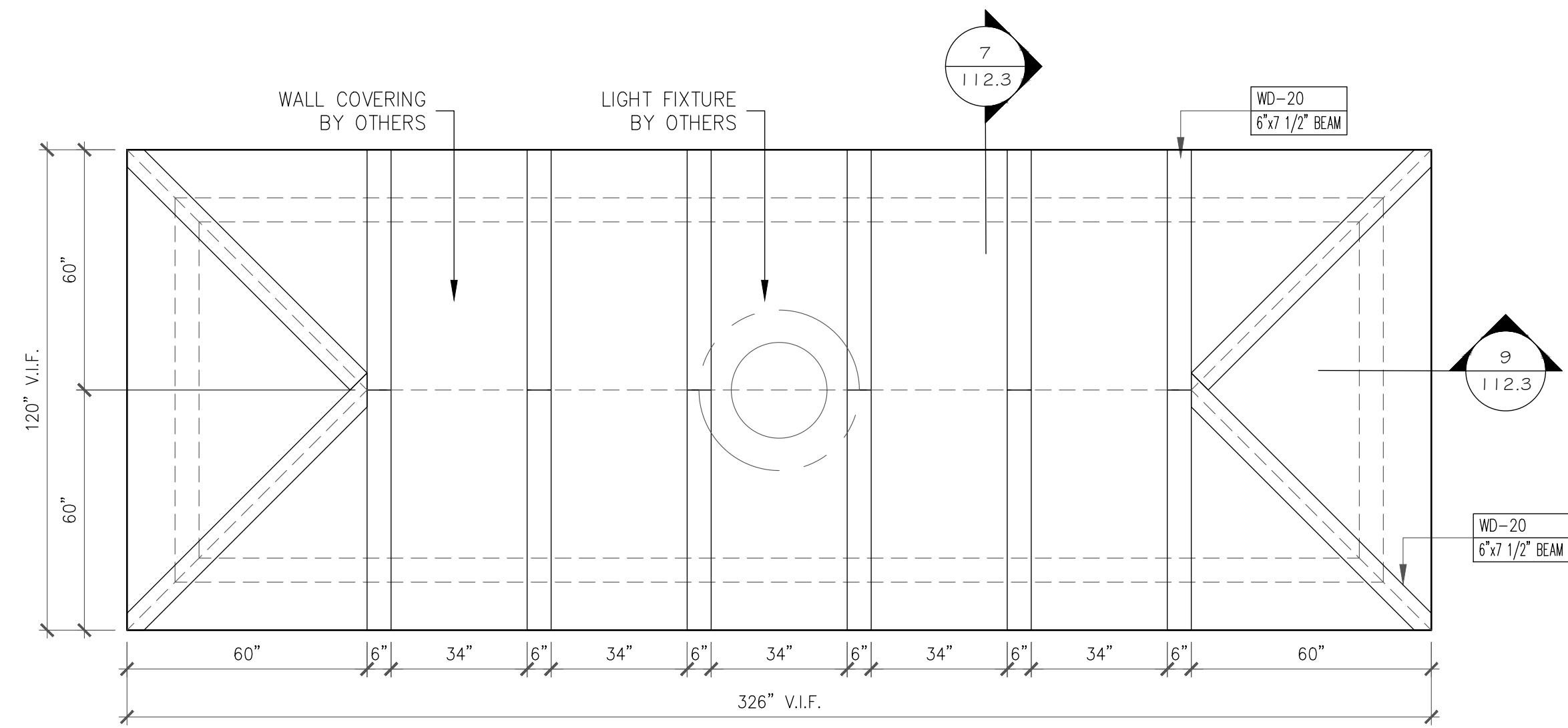
REVISIONS	BY

LEVEL 2
CLUBHOUSE
CEILING BEAMS

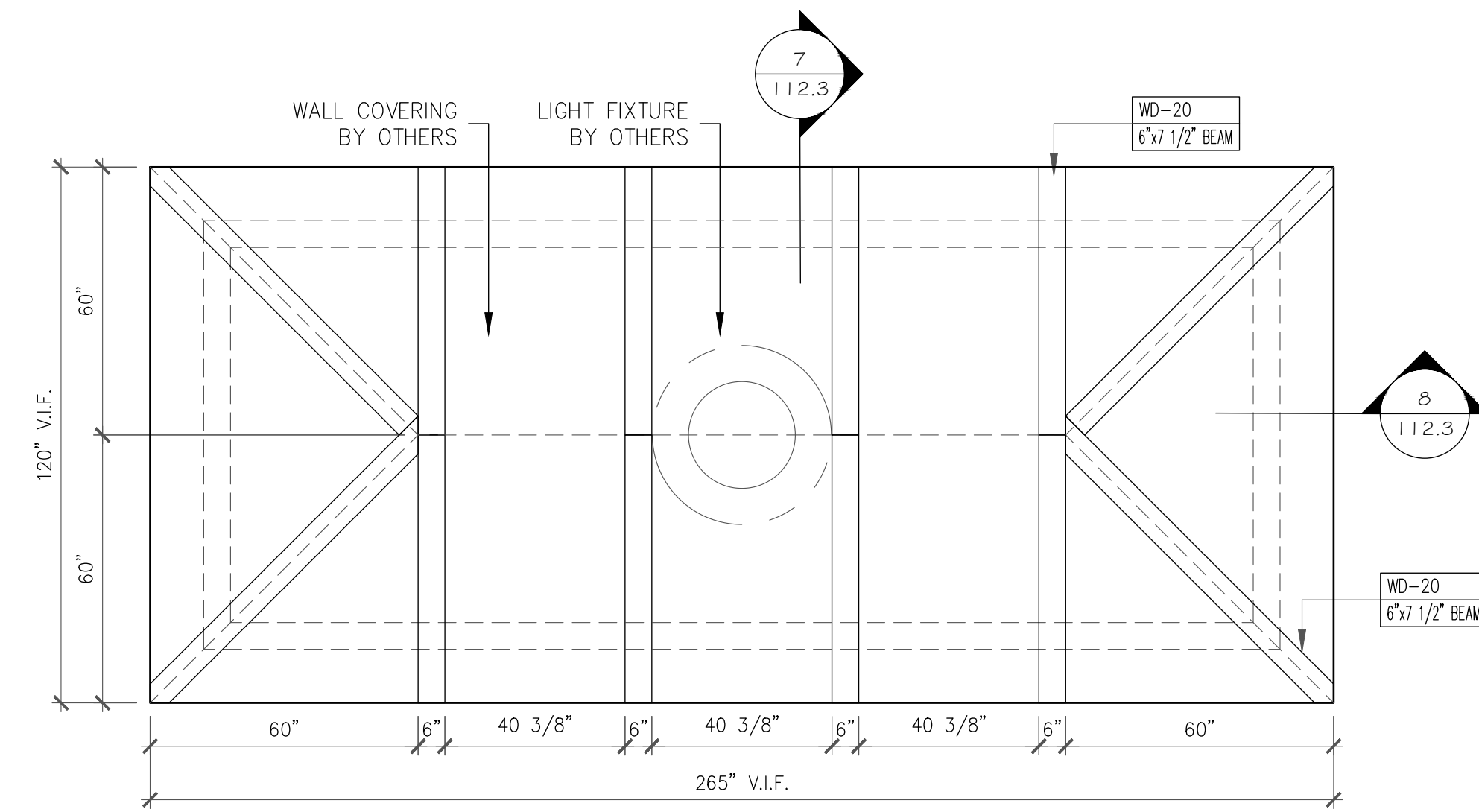
PROJECT
MAUI BAY VILLAS
LOCATION
KIHEI, MAUI, HAWAII

DRAWN
HD
CHECKED
RT
DATE
10/10/2019
SCALE
AS NOTED
JOB NO.

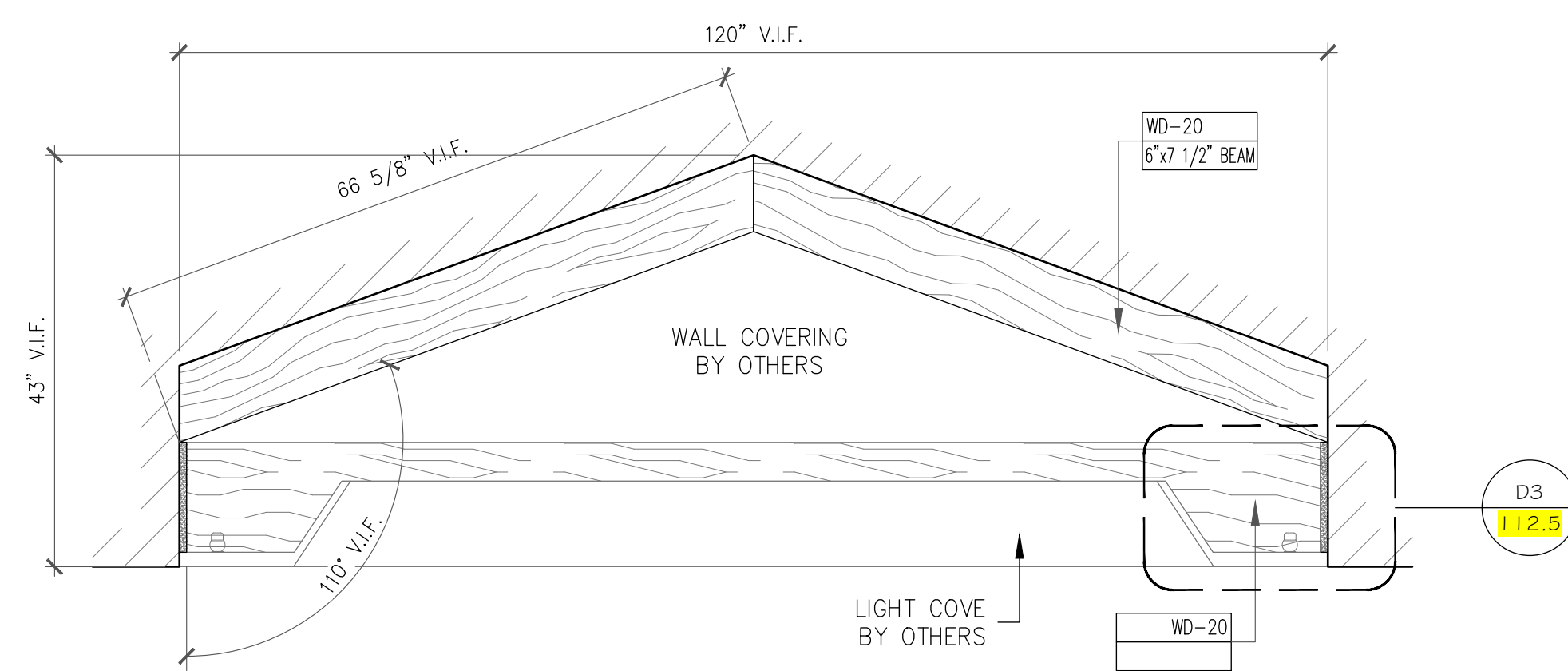
2129
SHEET
112.2
2 of 5



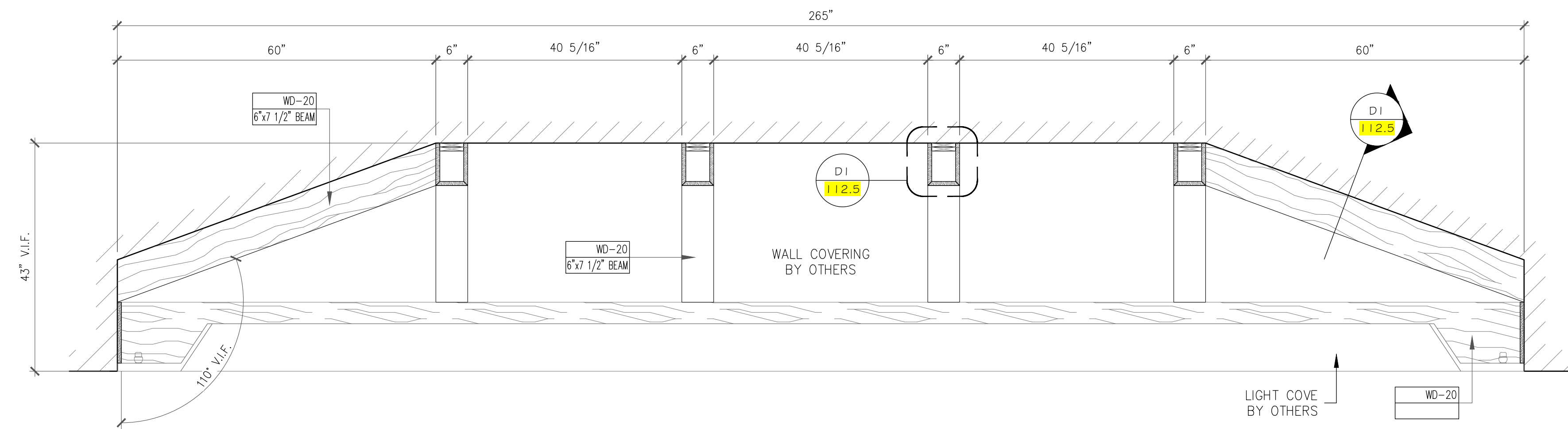
5 RCP - VAULT 2
 REF: 3/ID-CH2-DT-1.01 SCALE: 3/8" = 1'-0"



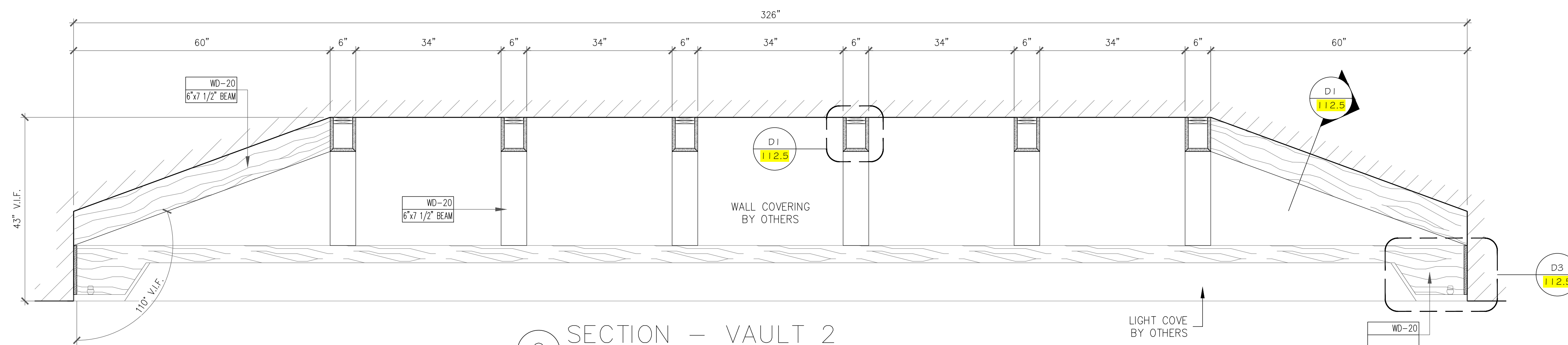
6 RCP - VAULT 3
 REF: 4/ID-CH2-DT-1.01 SCALE: 3/8" = 1'-0"



7 SECTION - VAULT 2 + 3
 REF: 10/ID-CH2-DT-1.01 SCALE: 3/4" = 1'-0"



8 SECTION - VAULT 3
 REF: 11/ID-CH2-DT-1.01 SCALE: 3/4" = 1'-0"



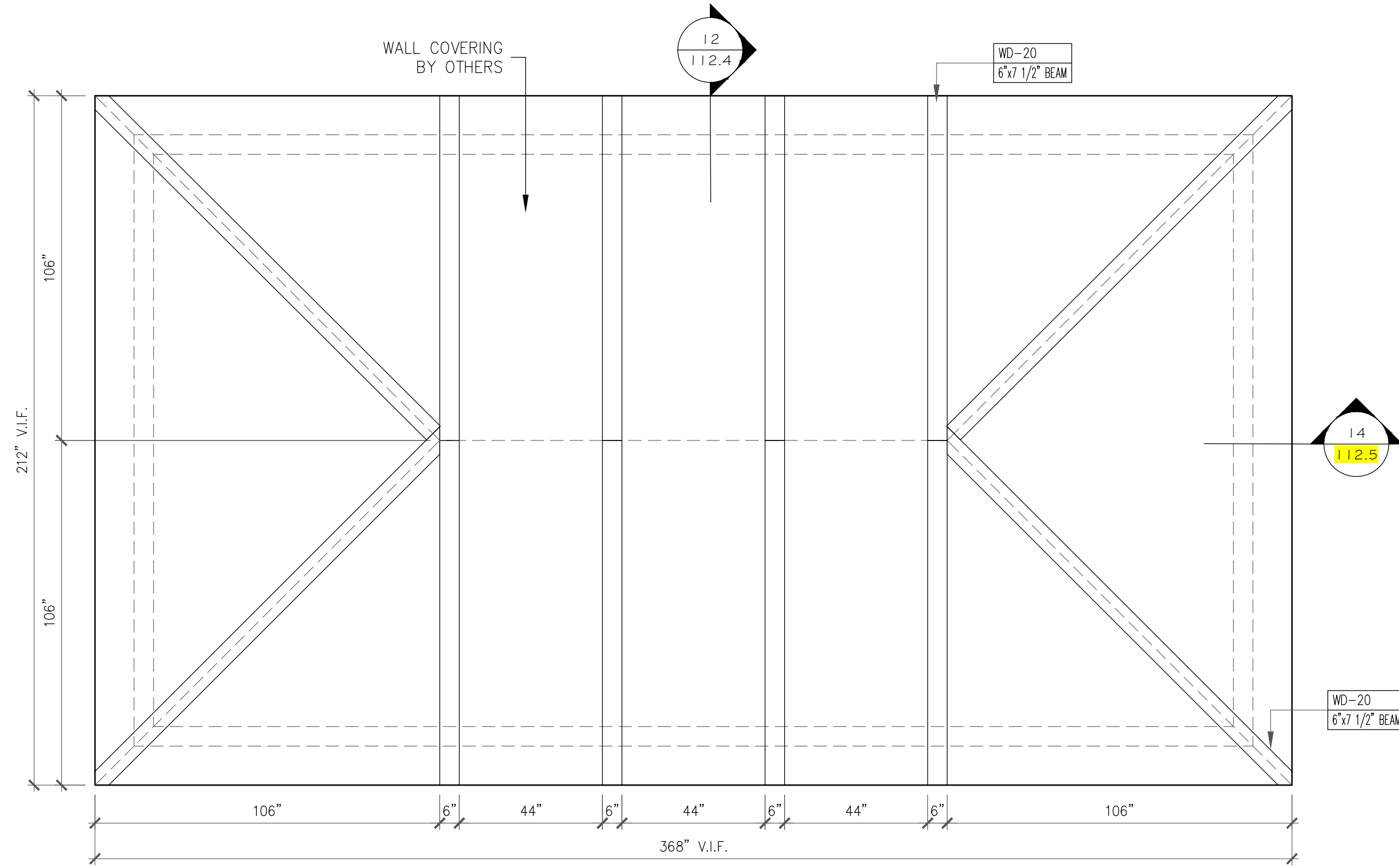
9 SECTION - VAULT 2
 REF: 11/ID-CH2-DT-1.01 SCALE: 3/4" = 1'-0"

REVISIONS	BY

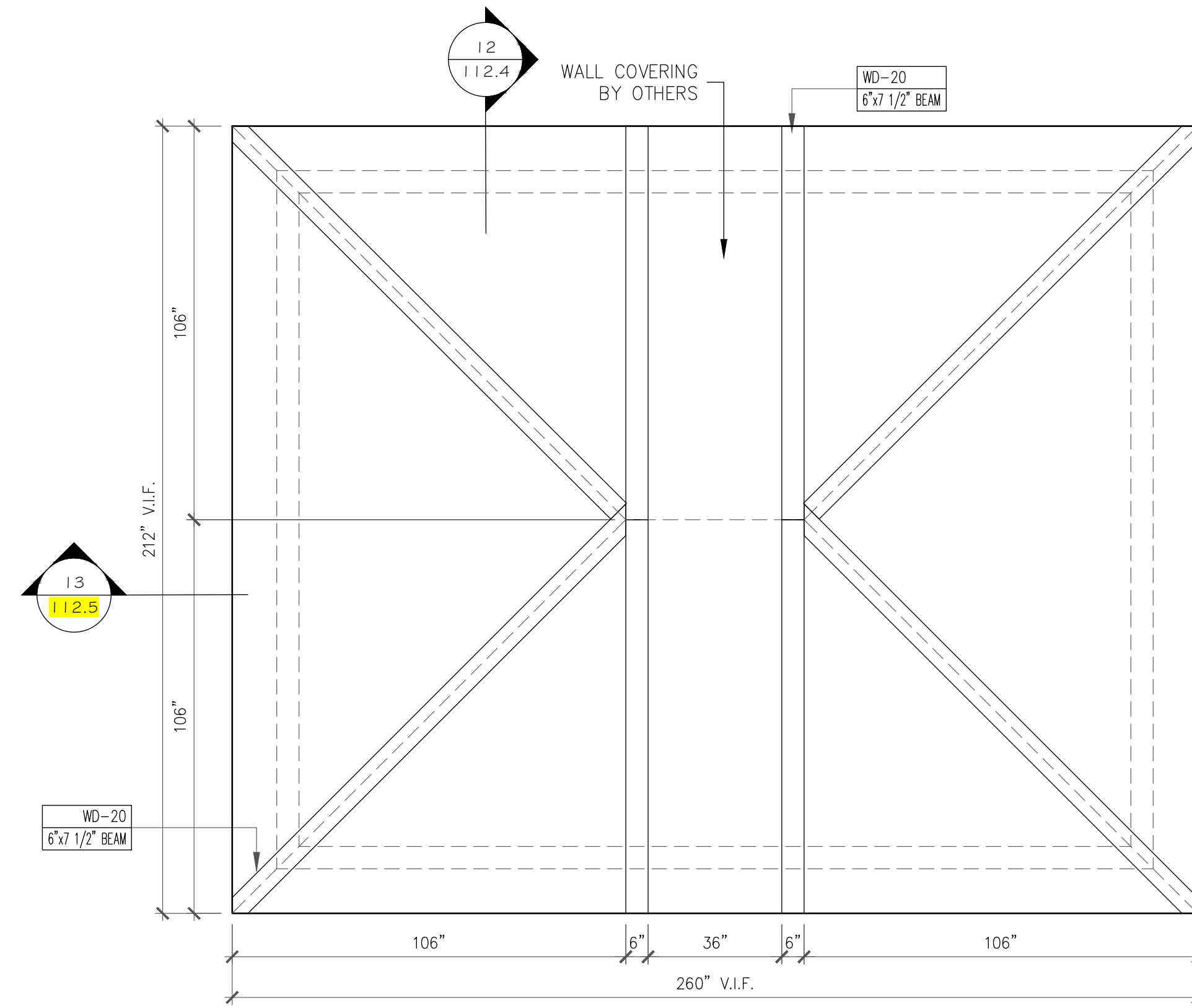
LEVEL 2
 CLUBHOUSE
 CEILING BEAMS

PROJECT
MAUI BAY VILLAS
 LOCATION
KIHEI, MAUI, HAWAII

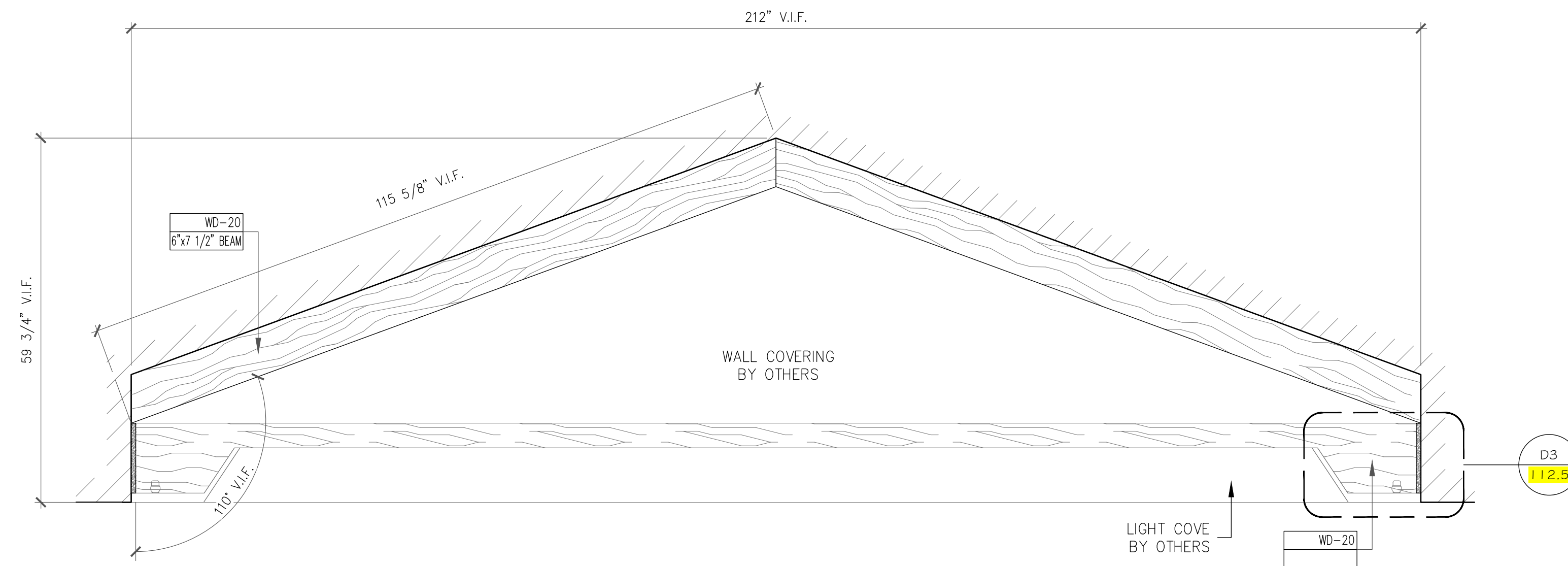
DRAWN	HD
CHECKED	RT
DATE	10/10/2019
SCALE	AS NOTED
JOB NO.	2129
SHEET	112.3
3 of 5	



10 RCP - VAULT 5
 REF: 6/D-CH2-DT-1.01 SCALE: 3/8" = 1'-0"



11 RCP - VAULT 6
 REF: 7/D-CH2-DT-1.01 SCALE: 3/8" = 1'-0"



12 SECTION - VAULT 5 + 6
 REF: 10/D-CH2-DT-1.01 SCALE: 3/4" = 1'-0"

REVISIONS	BY

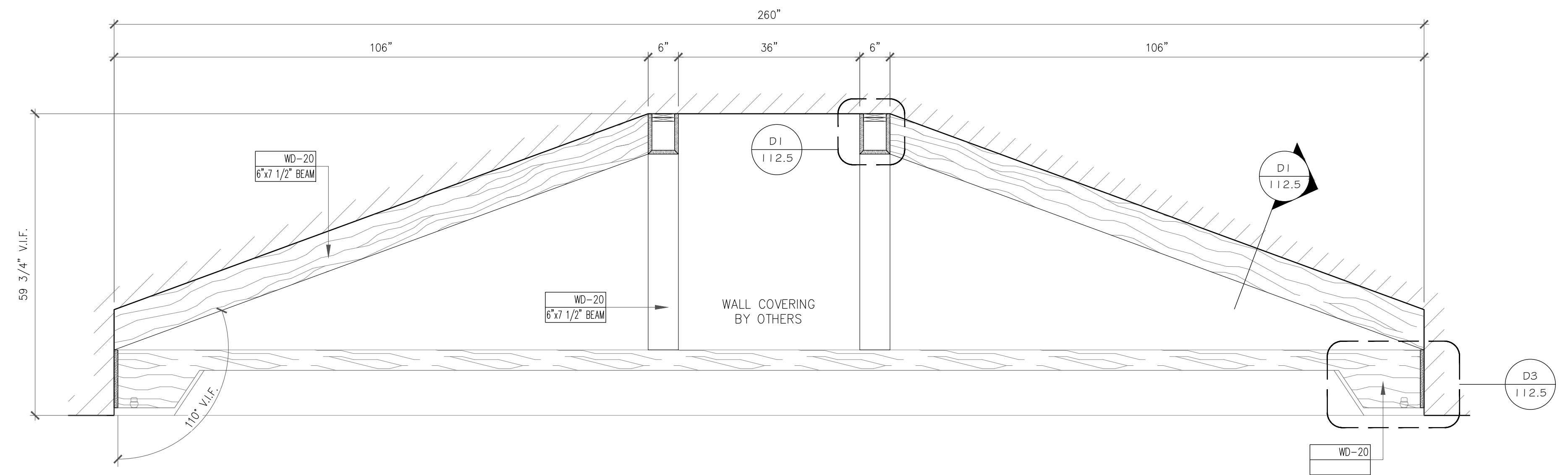
PROJECT
MAUI BAY VILLAS
 LOCATION
KIHEI, MAUI, HAWAII

ITEM
 LEVEL 2
 CLUBHOUSE
 CEILING BEAMS

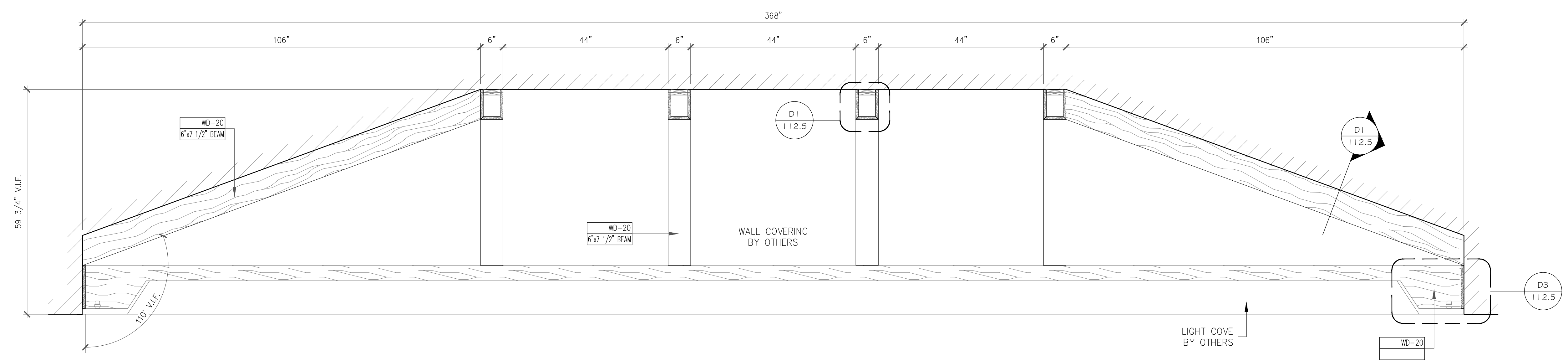
DRAWN
 HD
 CHECKED
 RT
 DATE
 10/10/2019
 SCALE
 AS NOTED
 JOB NO.

2129
 SHEET
112.4
 4 of 5

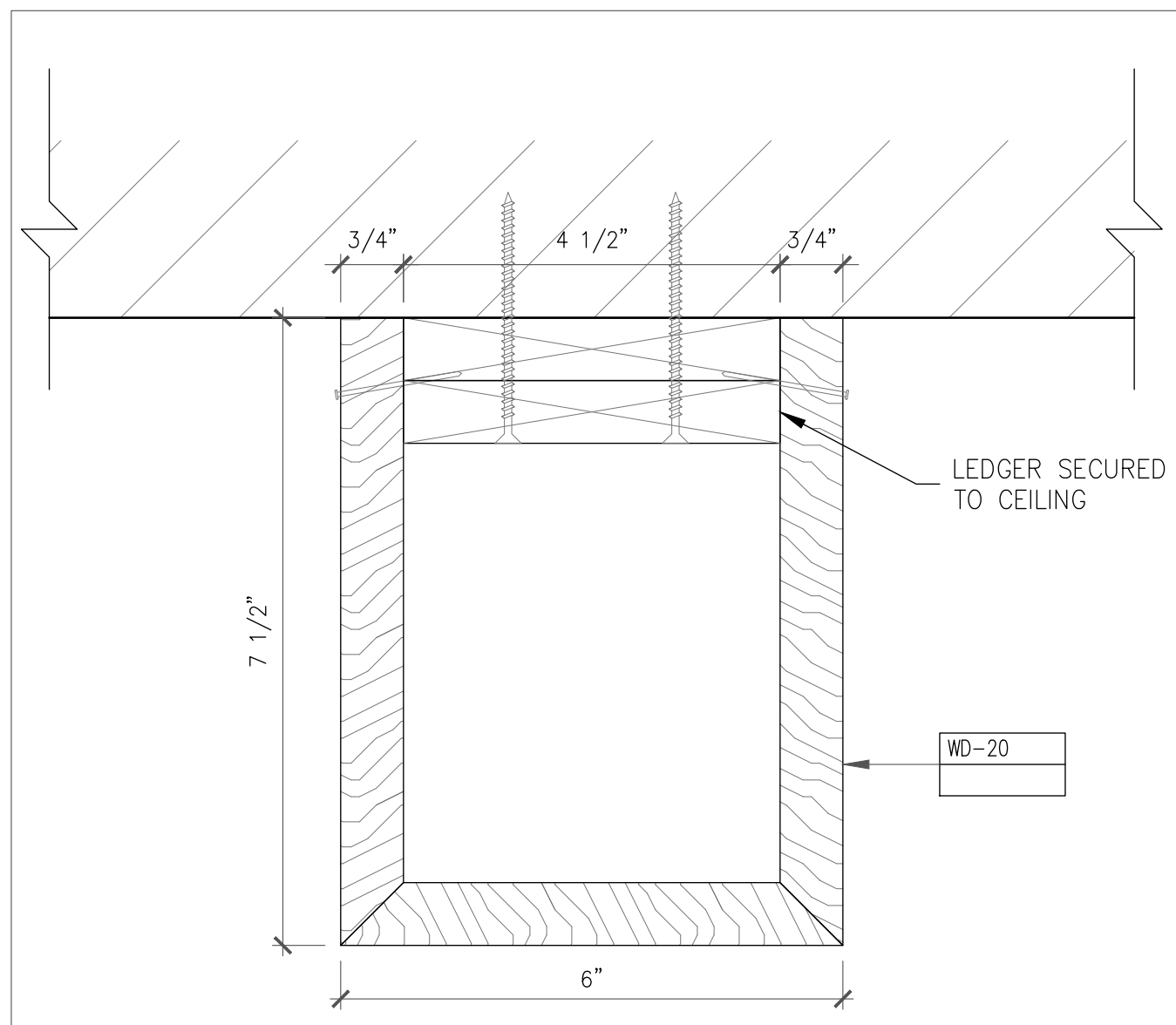
REVISIONS	BY



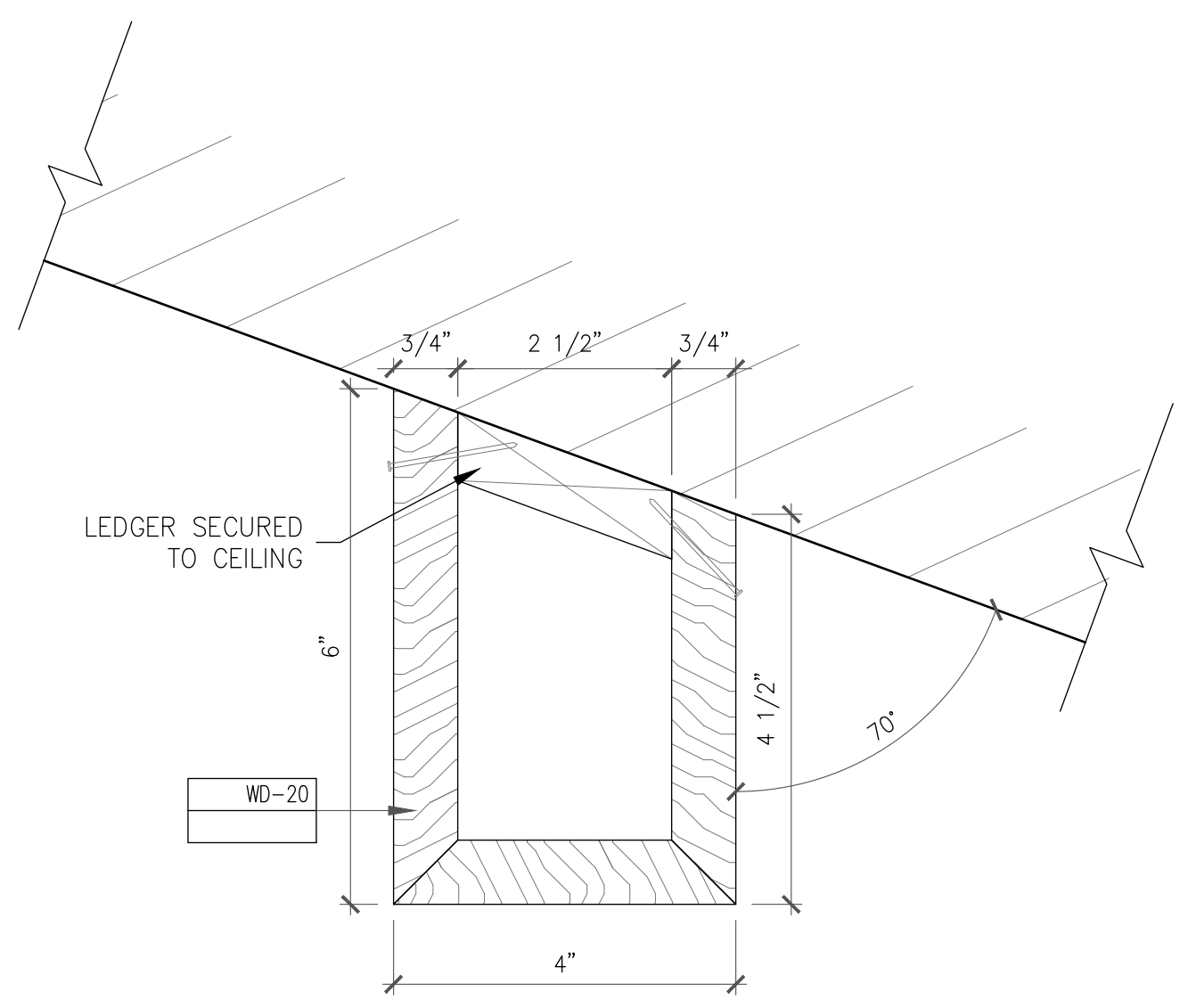
13 SECTION - VAULT 6
 REF: 11/AD-CH2-DT-1.01 SCALE: 3/4" = 1'-0"



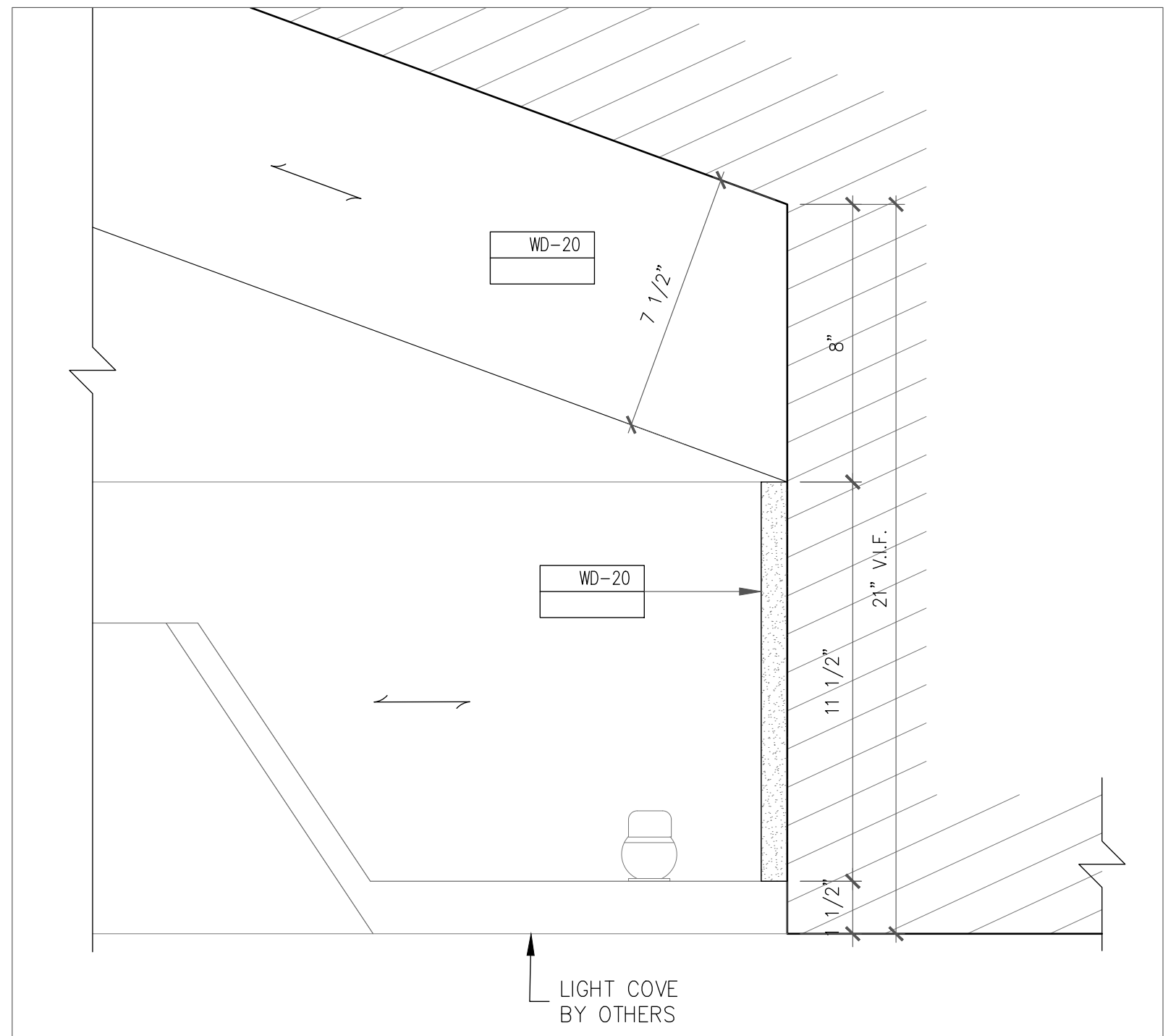
14 SECTION - VAULT 5
 REF: 11/AD-CH2-DT-1.01 SCALE: 3/4" = 1'-0"



D1 DETAIL
 REF: NONE SCALE: 6" = 1'-0"



D2 DETAIL
 REF: NONE SCALE: 6" = 1'-0"



D3 DETAIL
 REF: NONE SCALE: 3" = 1'-0"

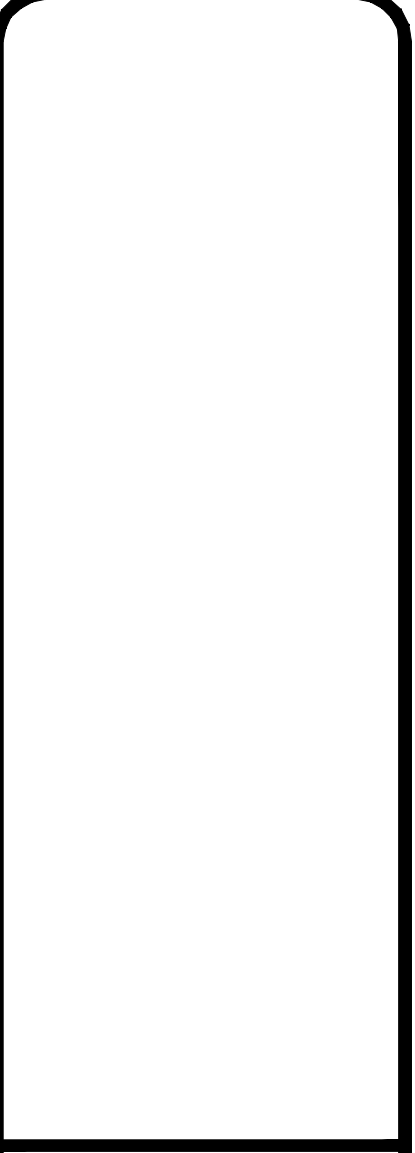
PROJECT
MAUI BAY VILLAS

LOCATION
KIHEI, MAUI, HAWAII

ITEM
 LEVEL 2
 CLUBHOUSE
 CEILING BEAMS

DRAWN	HD
CHECKED	RT
DATE	10/10/2019
SCALE	AS NOTED
JOB NO.	2129
SHEET	112.5
5 of 5	

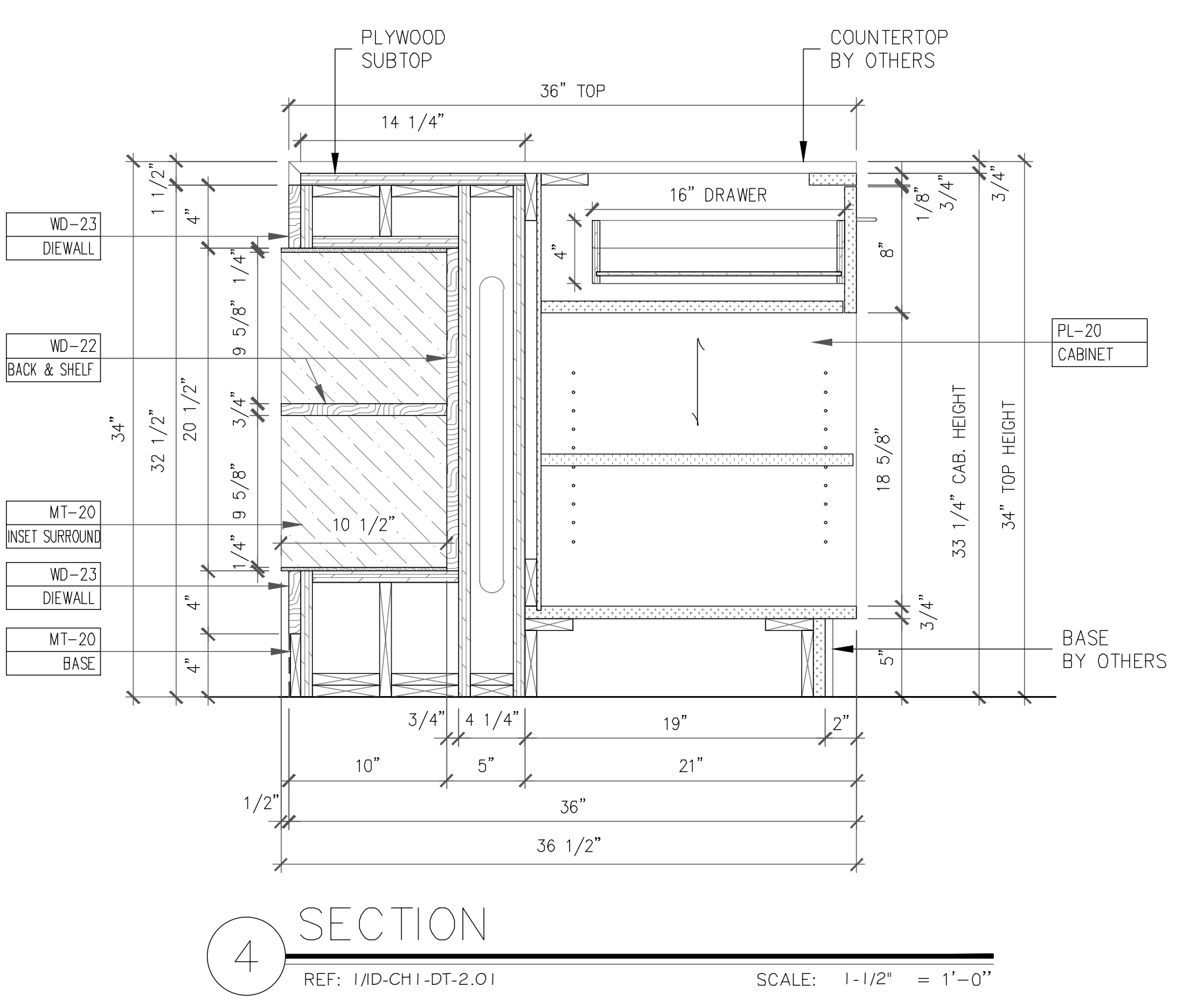
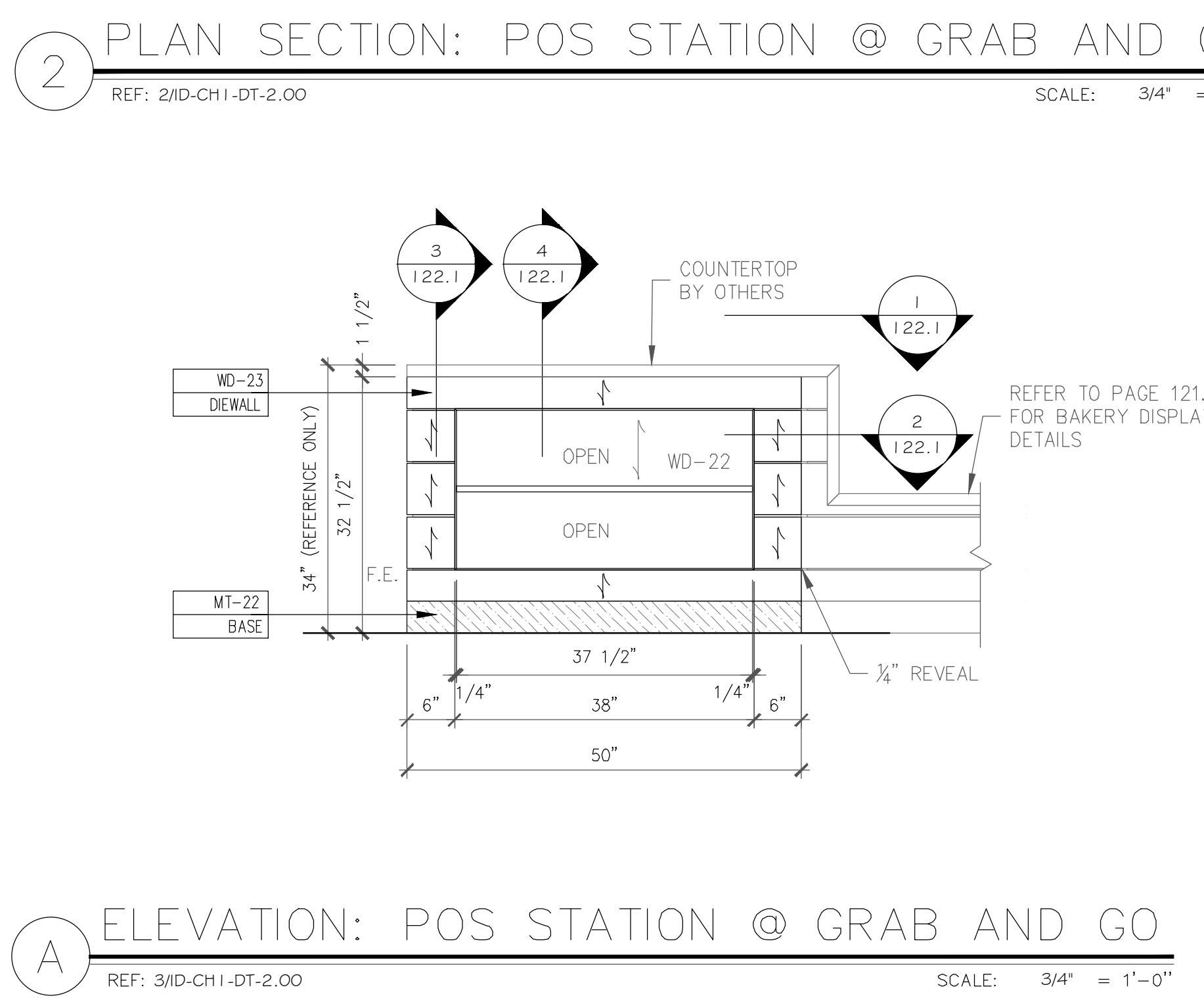
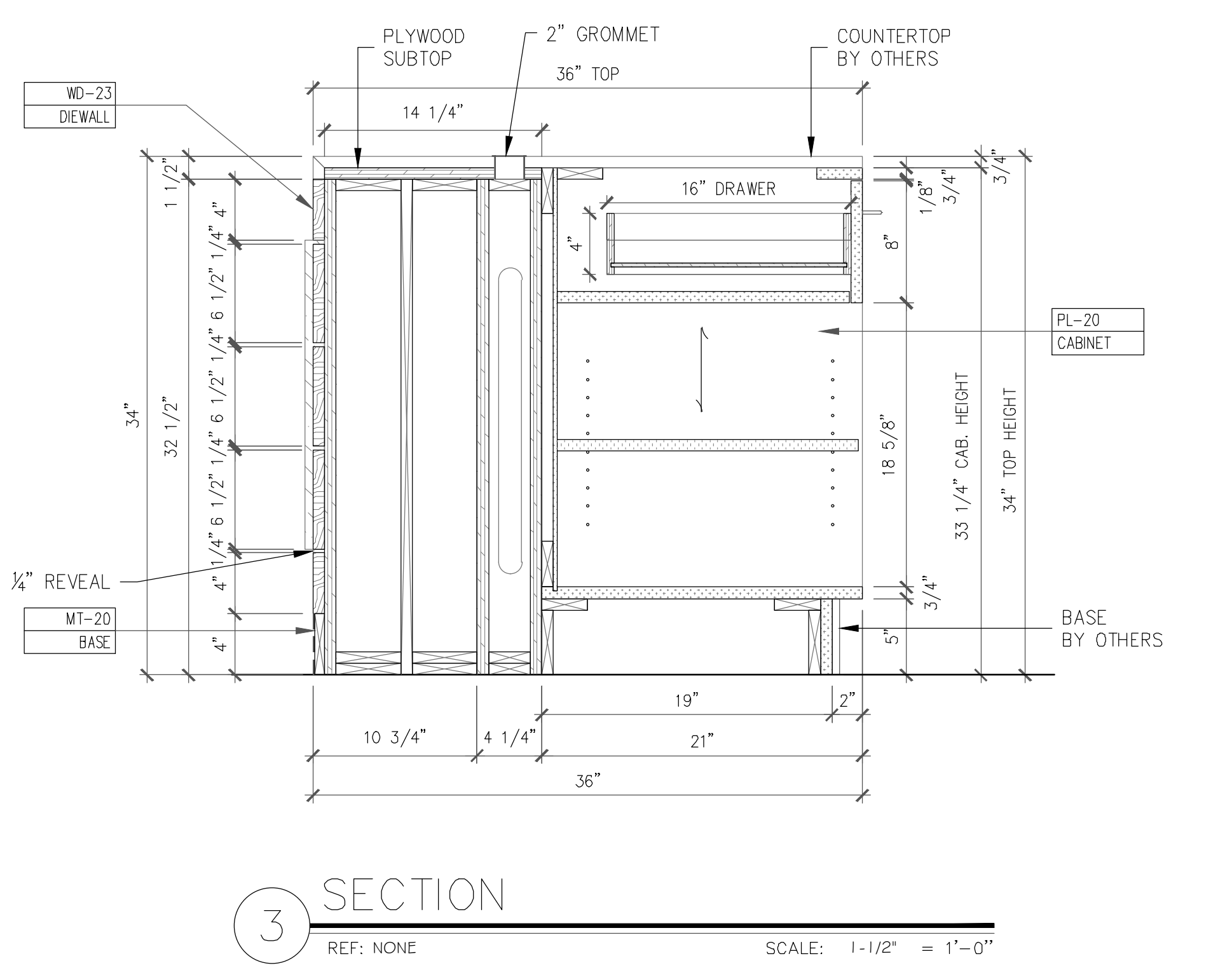
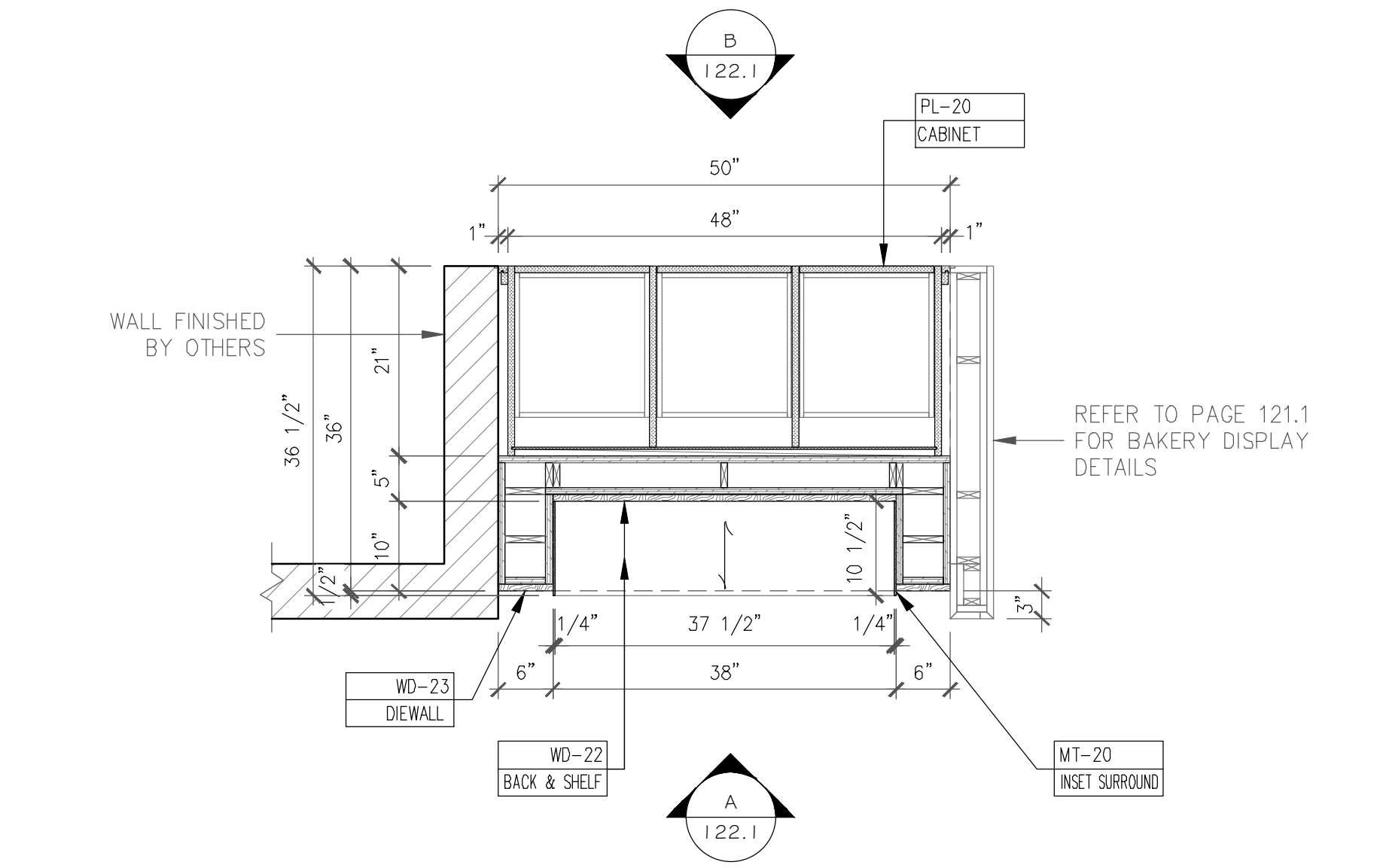
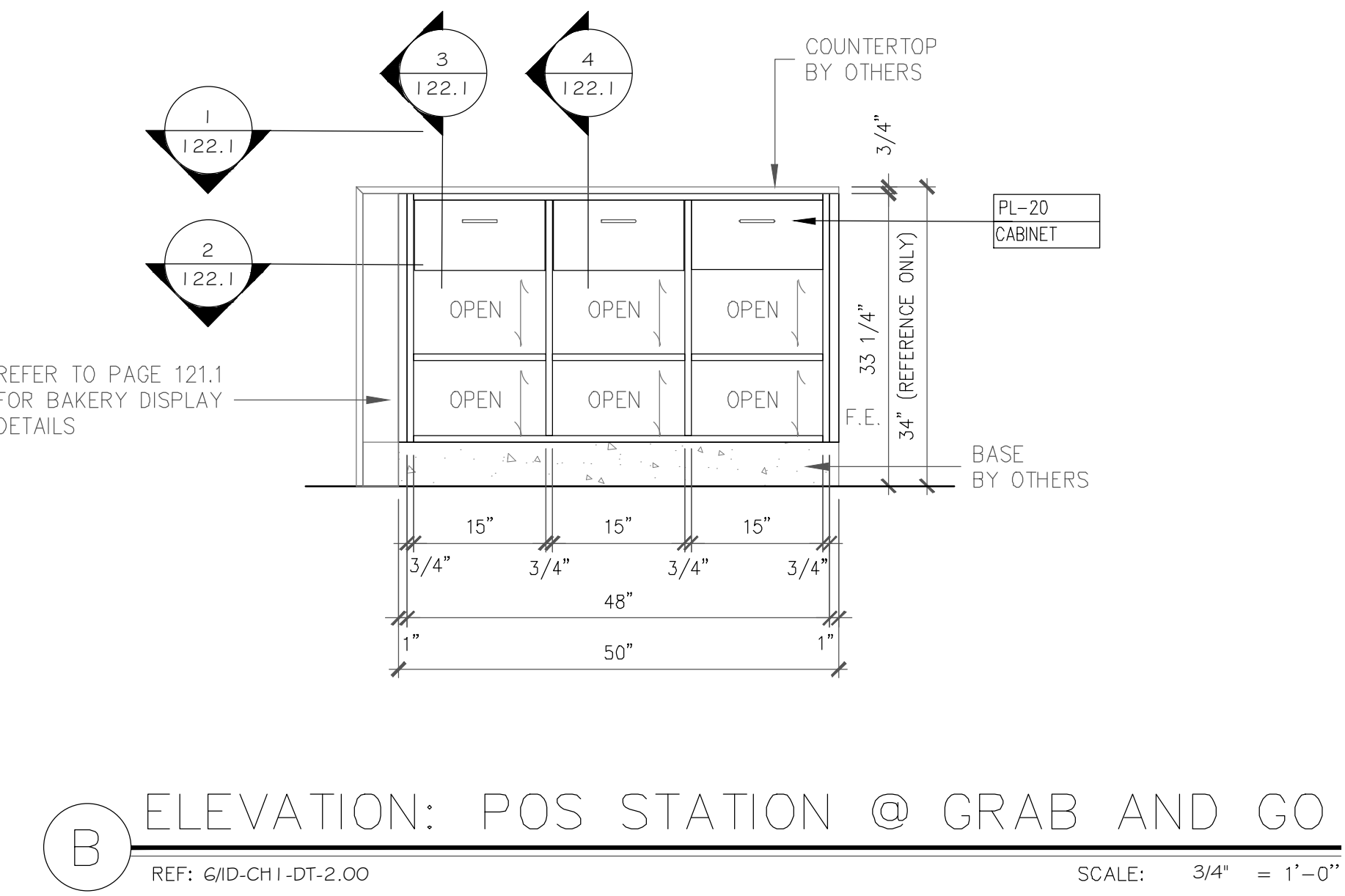
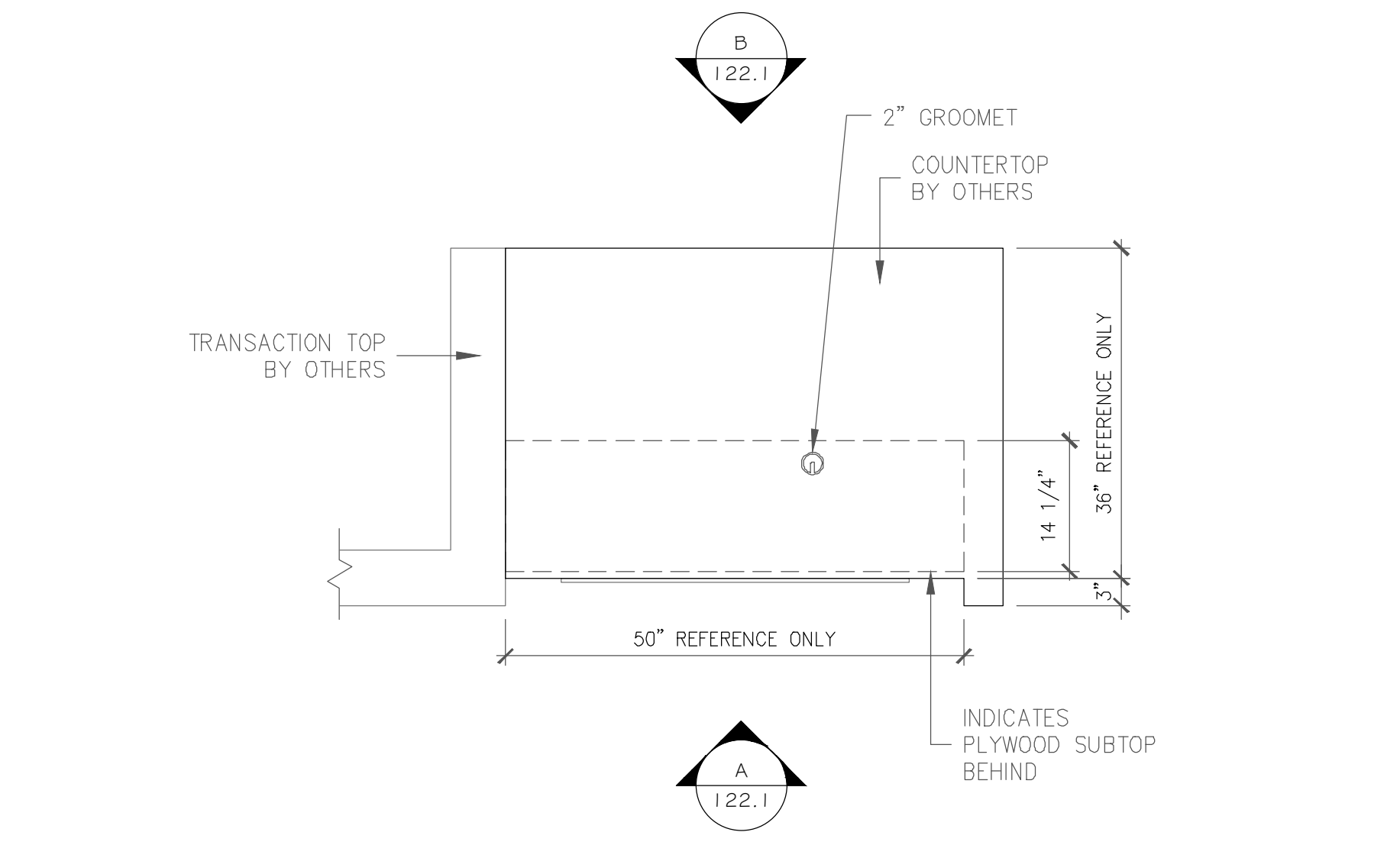
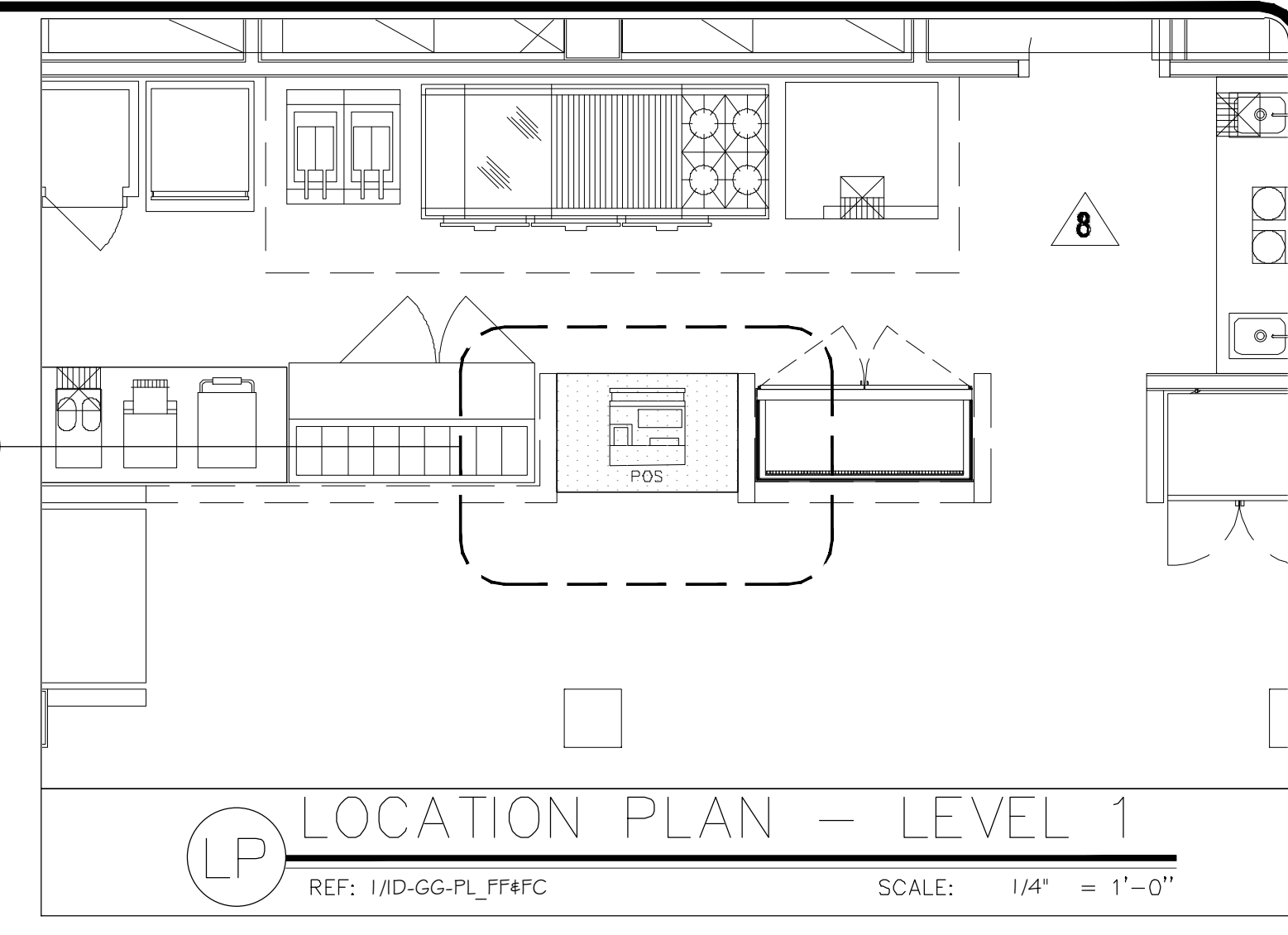
REVISIONS	BY

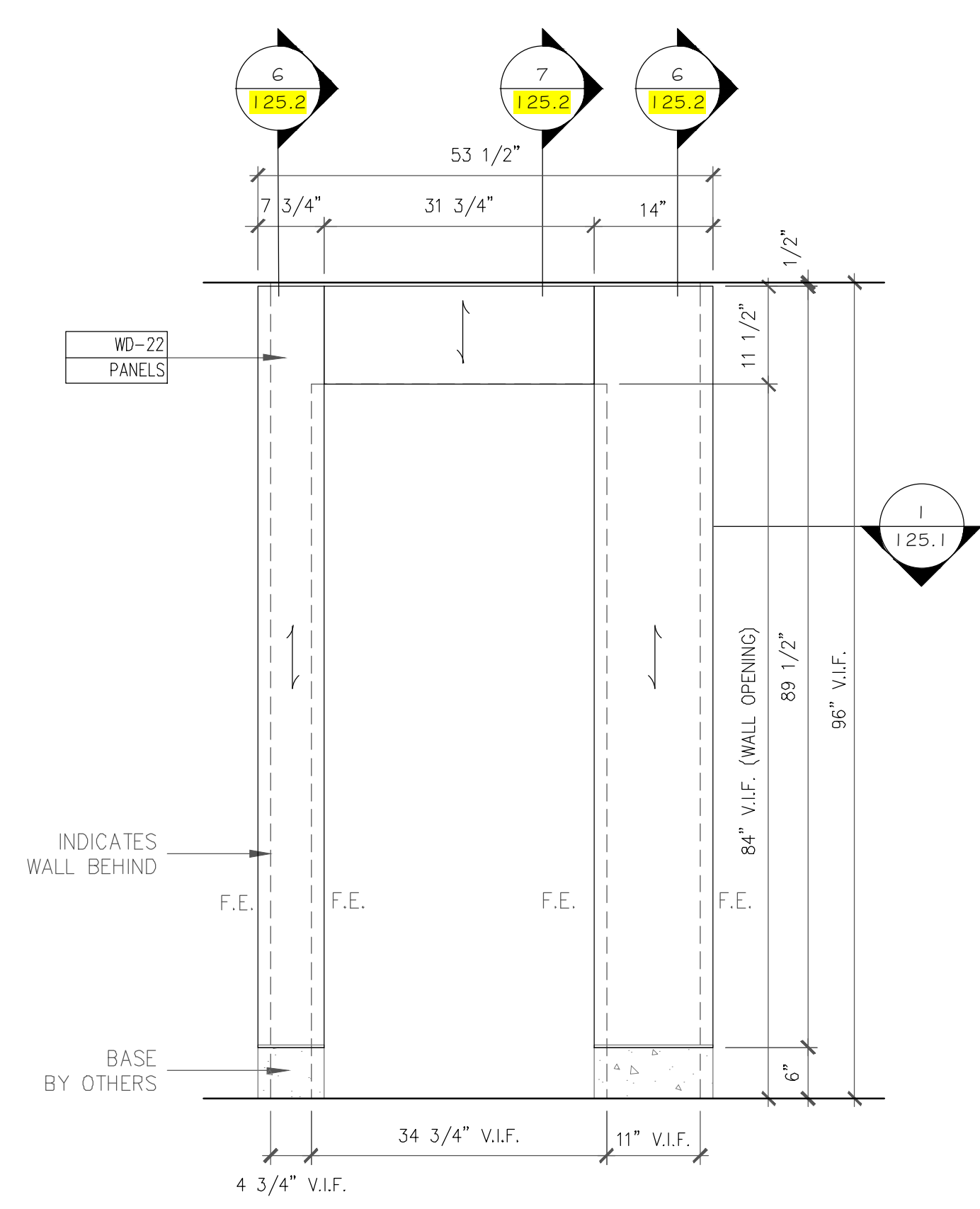
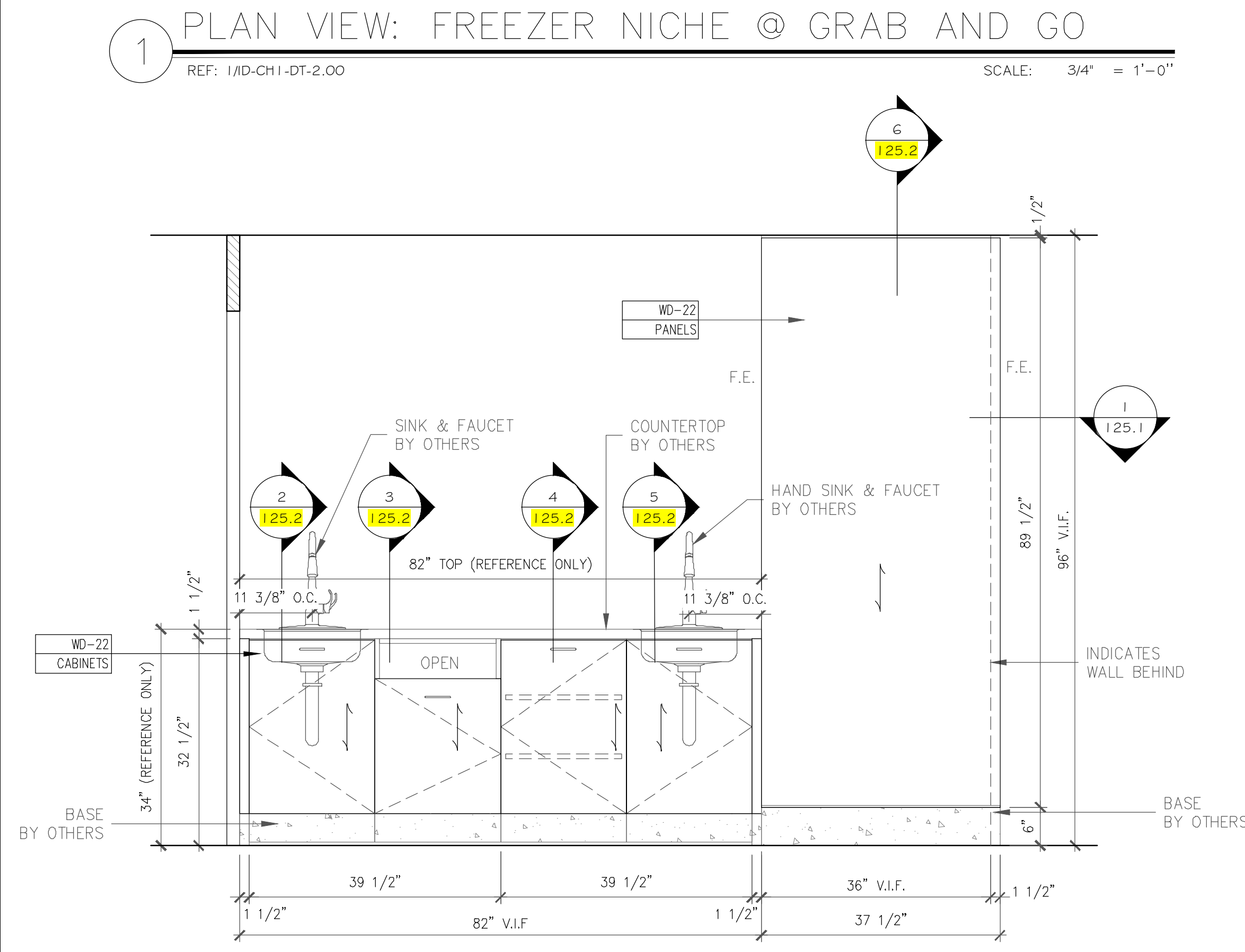
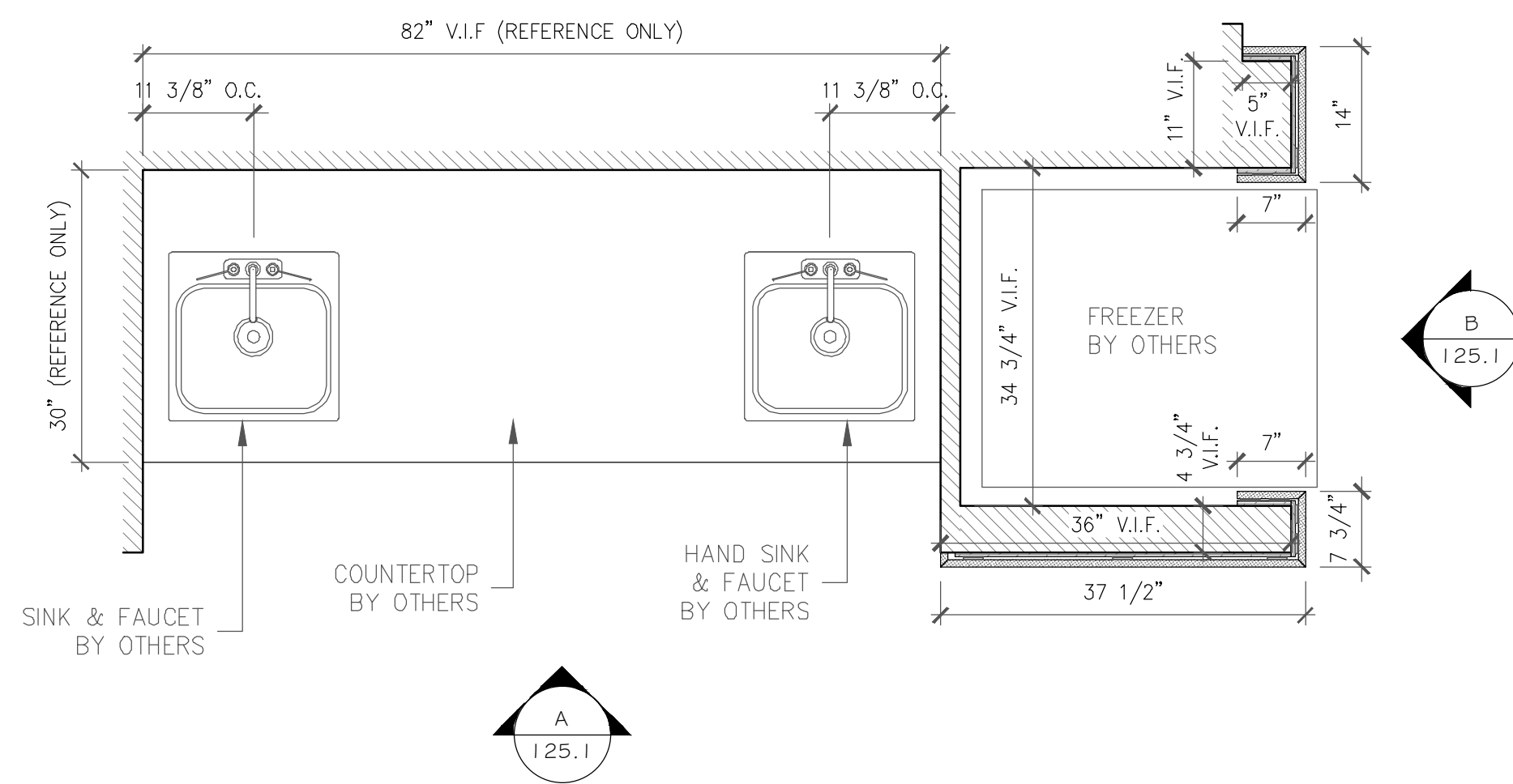
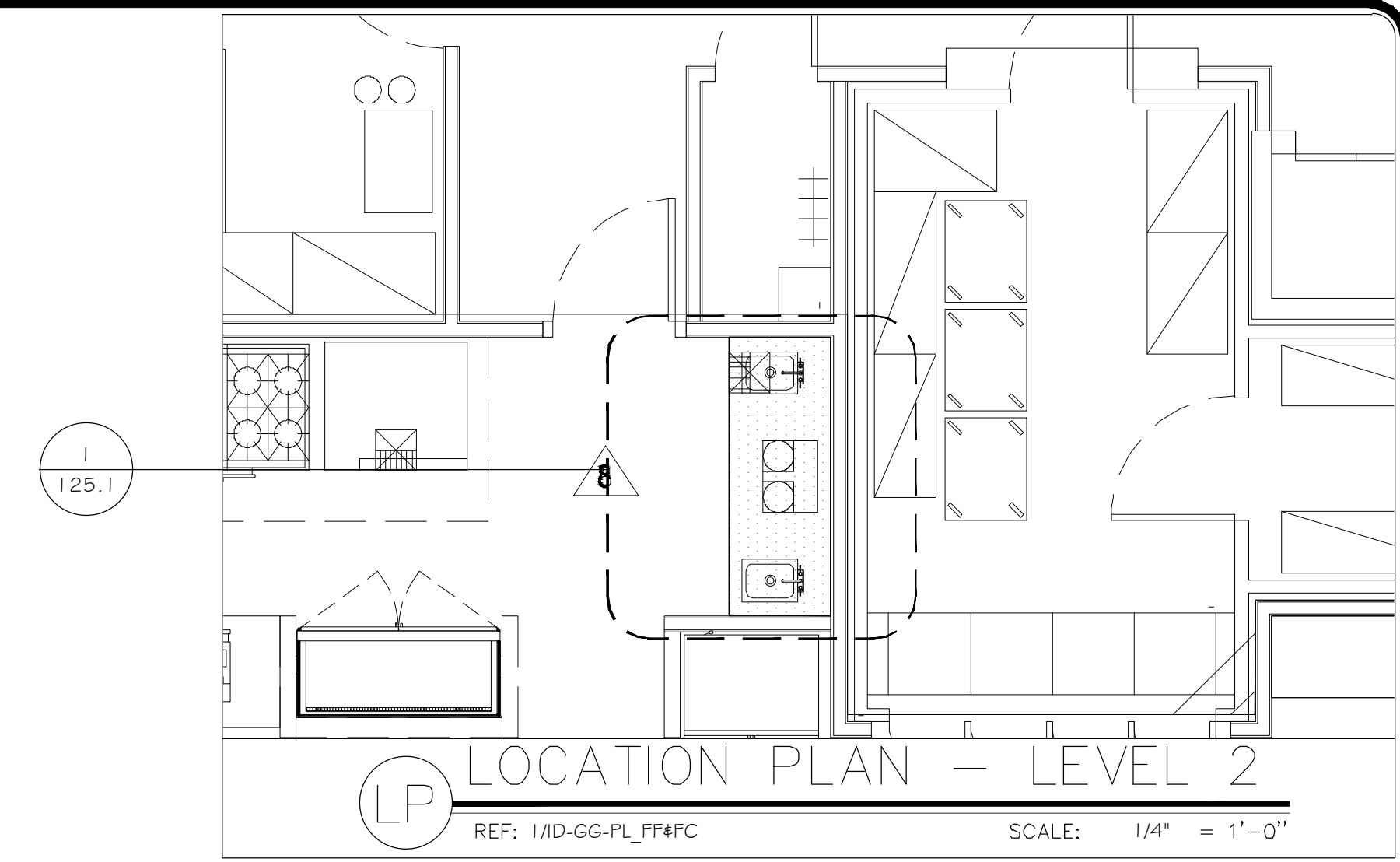


LEVEL 1
POS STATION
GRAB AND GO

PROJECT
MAUI BAY VILLAS
LOCATION
KIHEI, MAUI, HAWAII

DRAWN
HD
CHECKED
RT
DATE
10/10/2019
SCALE
AS NOTED
JOB NO.
2129
SHEET
122.1
1 of 2





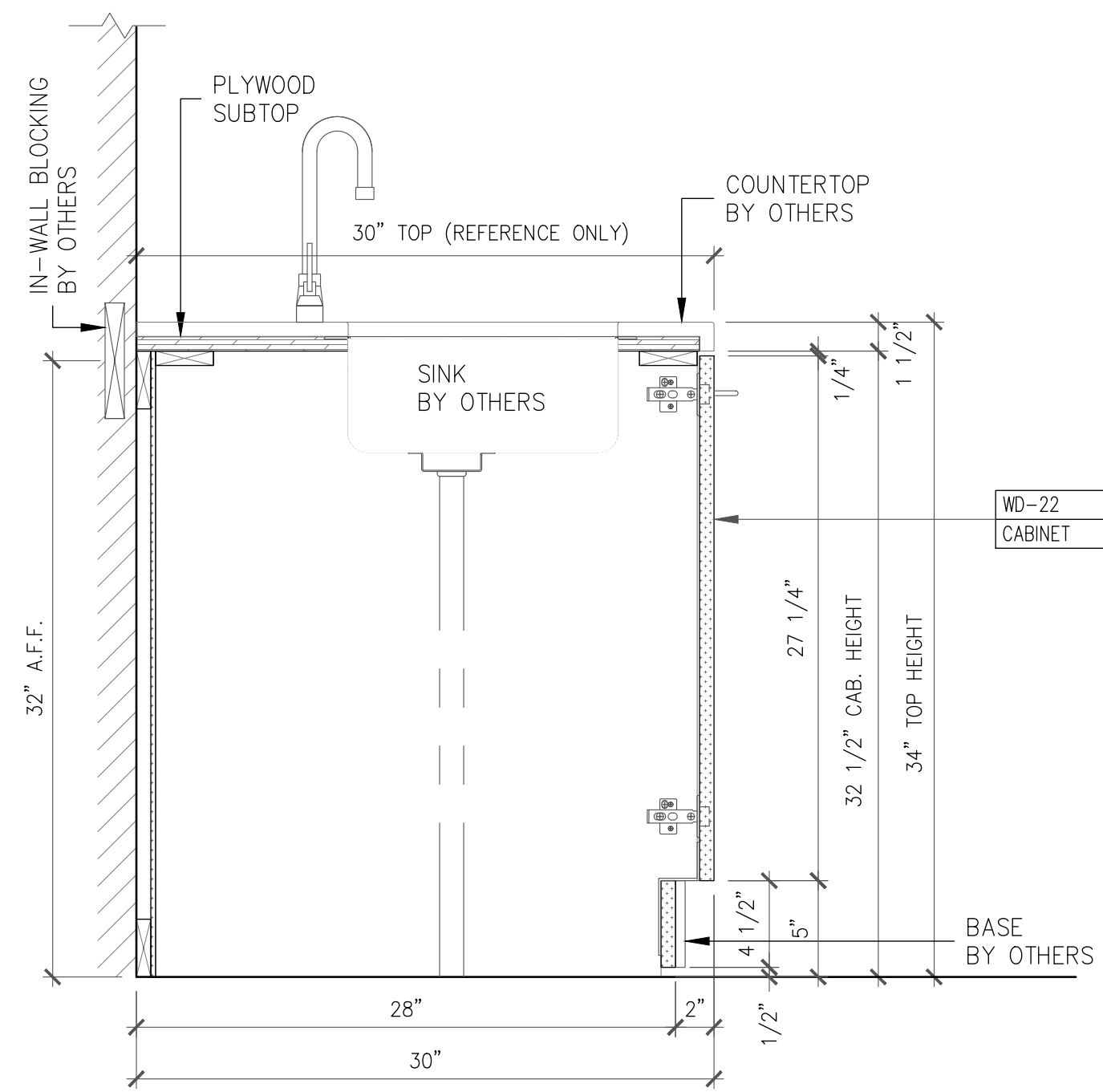
REVISIONS	BY

LEVEL 1
FREEZER NICHE
GRAB AND GO

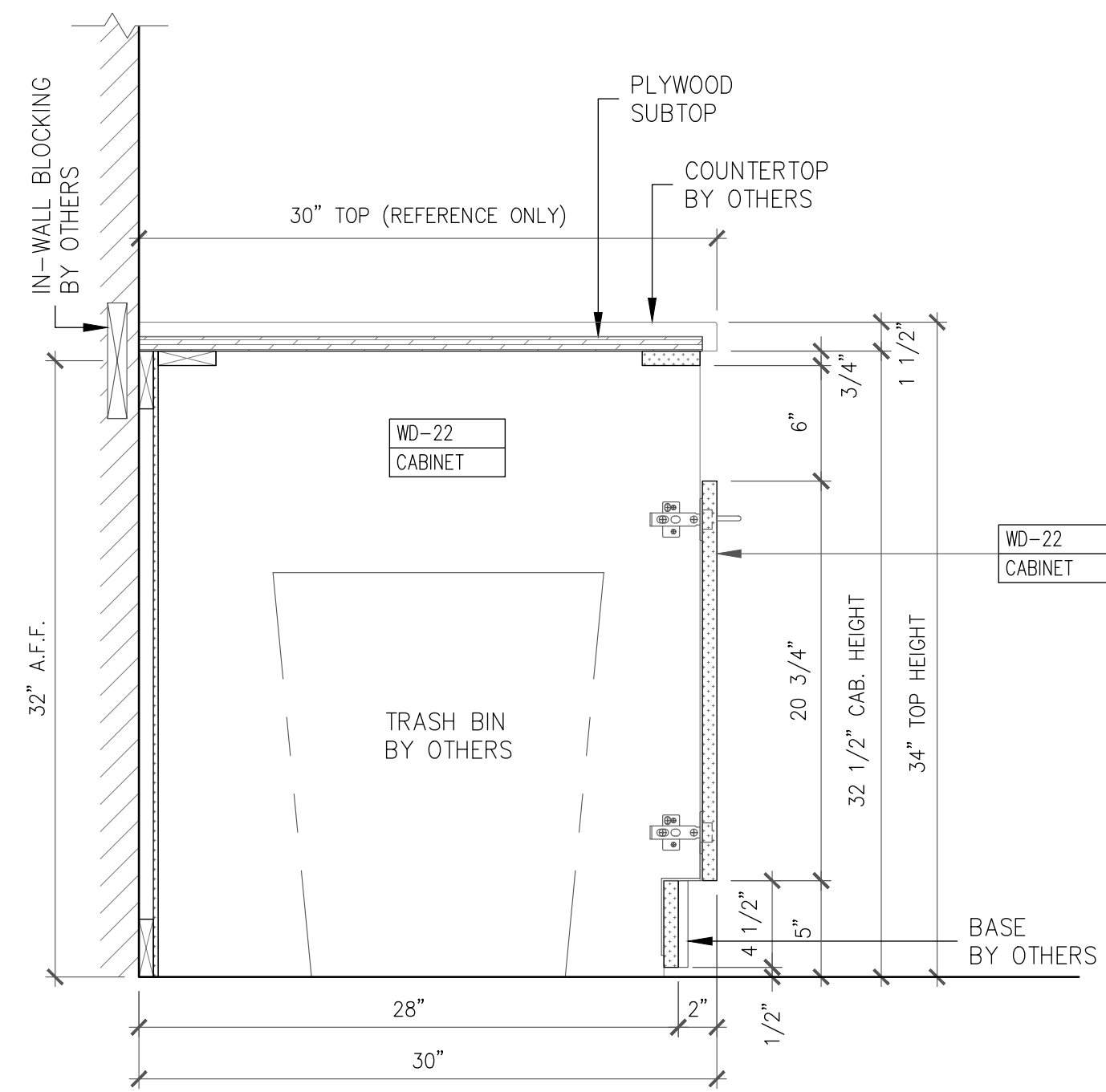
PROJECT
MAUI BAY VILLAS
LOCATION
KIHEI, MAUI, HAWAII

DRAWN
HD
CHECKED
RT
DATE
10/10/2019
SCALE
AS NOTED
JOB NO.

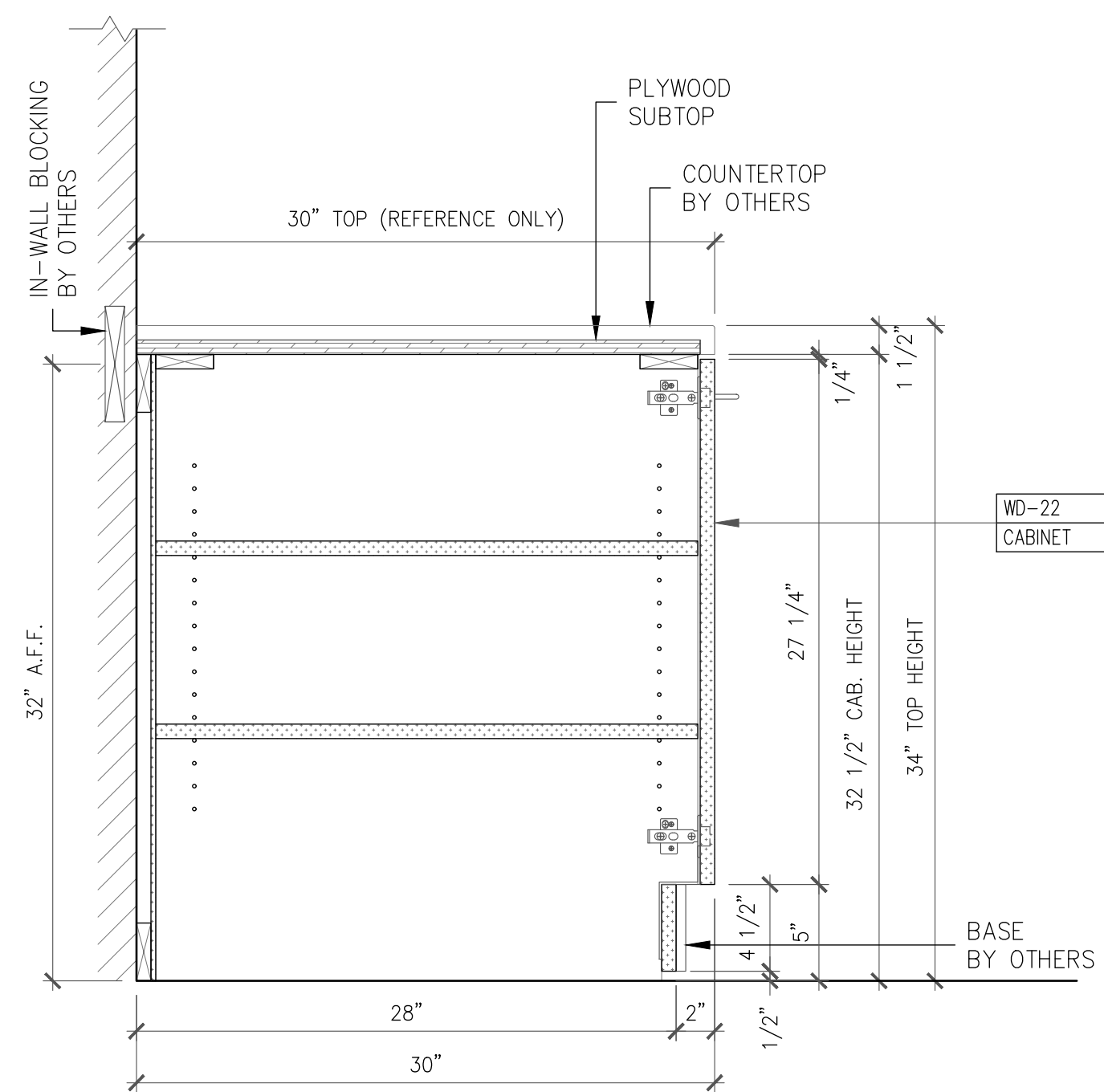
2129
SHEET
125.1
1 of 2



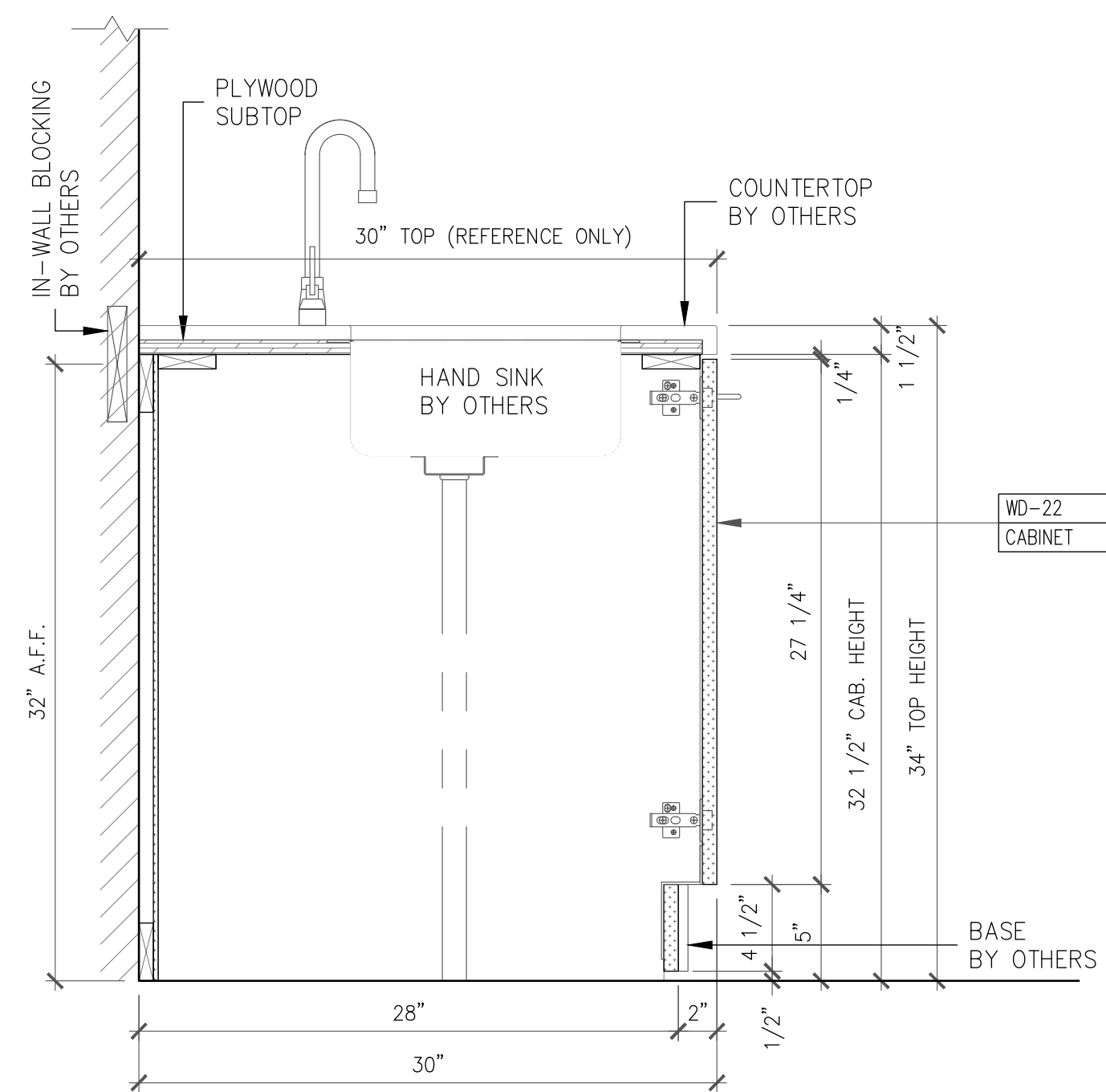
2 SECTION
REF: 6/D-CH1-DT-2.01 SCALE: 1-1/2" = 1'-0"



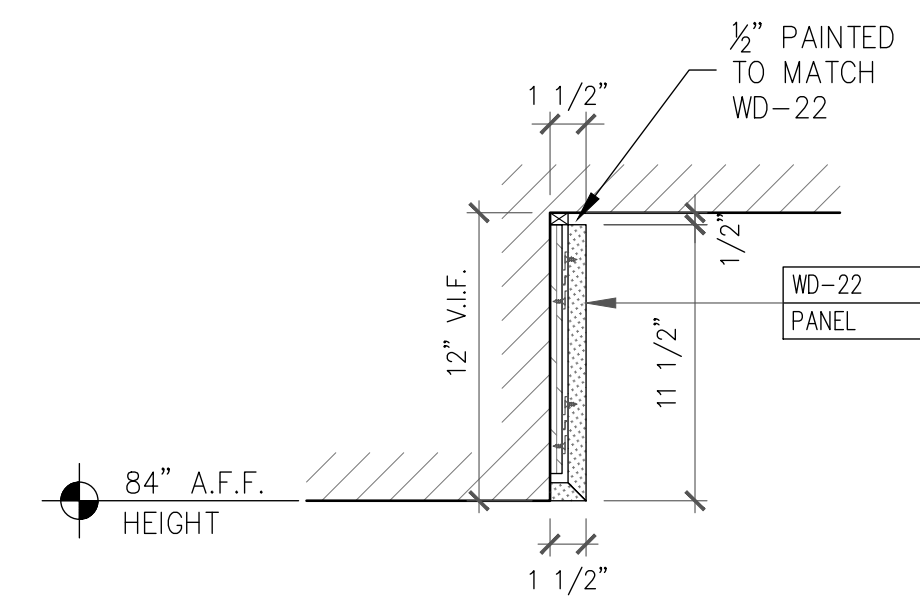
3 SECTION
REF: 5/D-CH1-DT-2.01 SCALE: 1-1/2" = 1'-0"



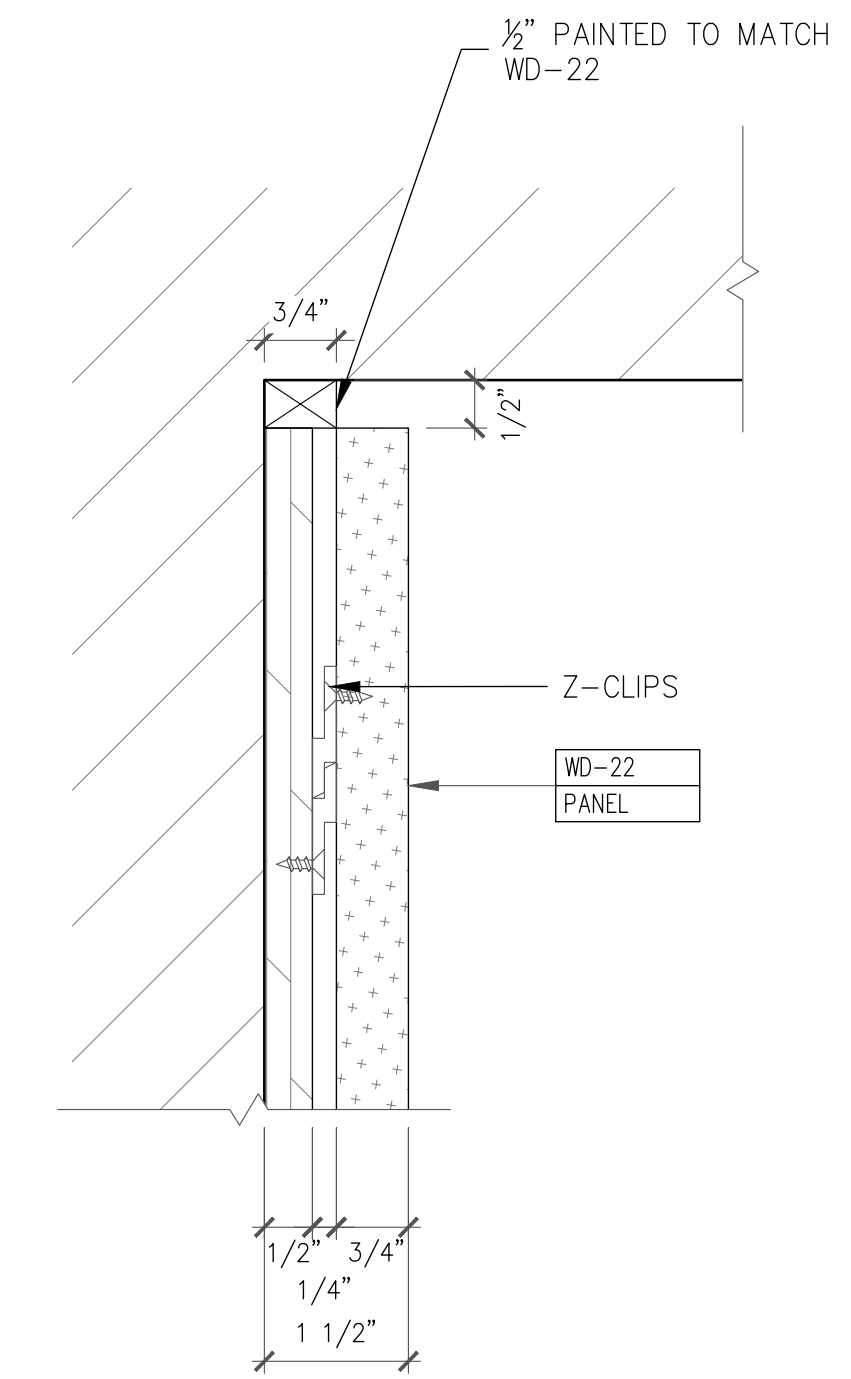
4 SECTION
REF: 6/D-CH1-DT-2.01 SCALE: 1-1/2" = 1'-0"



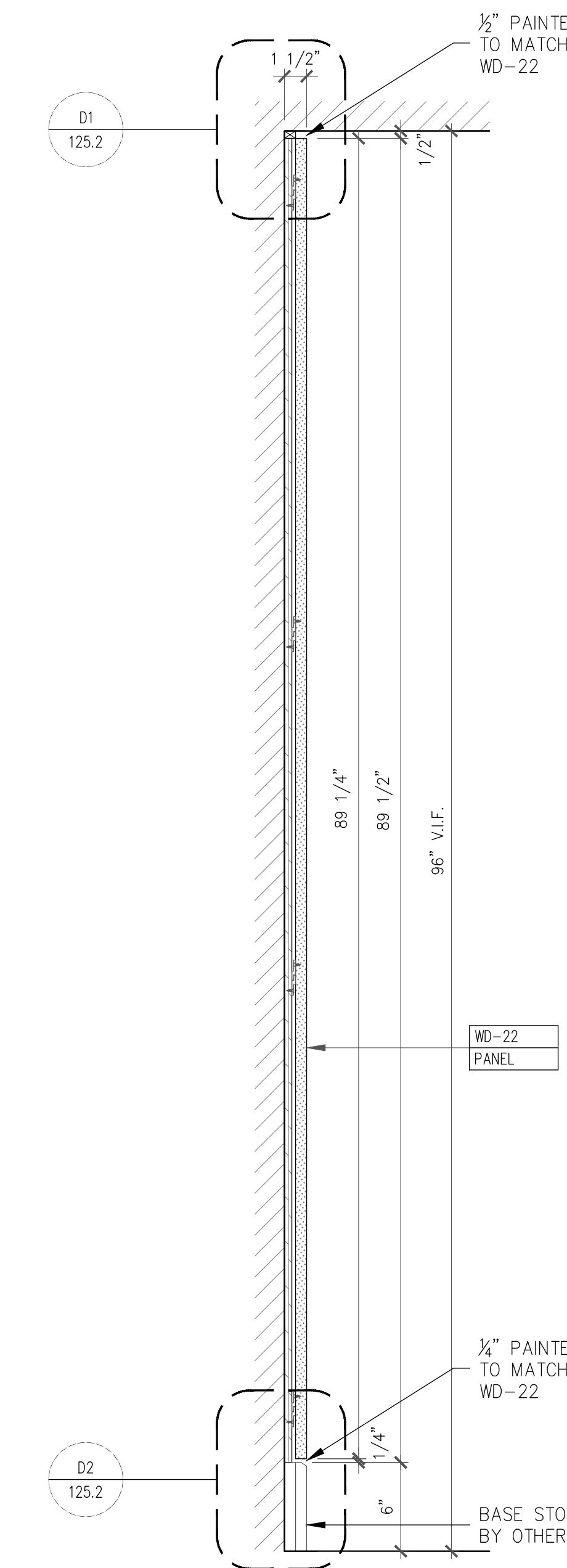
5 SECTION
REF: 6/D-CH1-DT-2.01 SCALE: 1-1/2" = 1'-0"



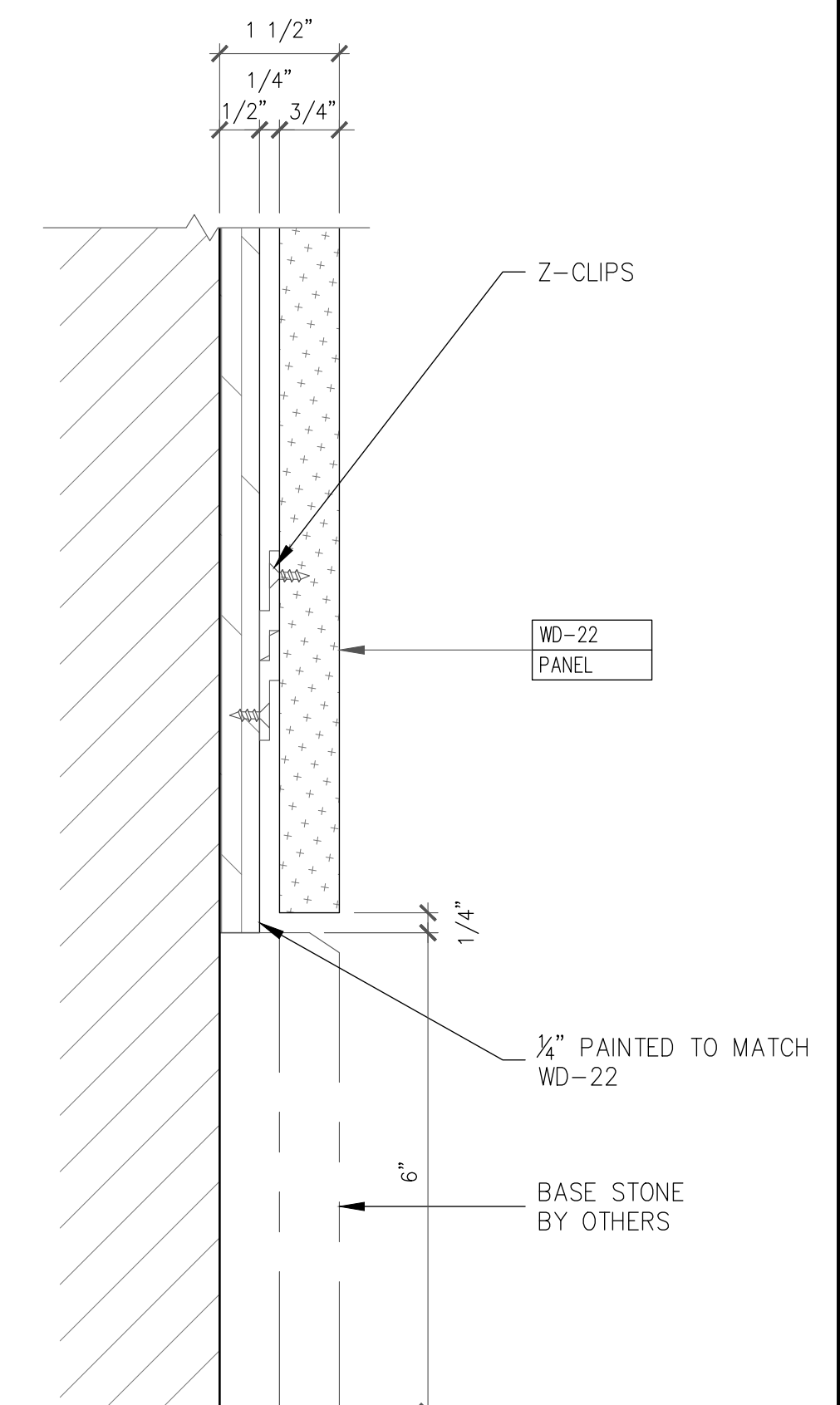
7 SECTION
REF: NONE SCALE: 1-1/2" = 1'-0"



D1 DETAIL
REF: NONE SCALE: 6" = 1'-0"



6 SECTION
REF: NONE SCALE: 1-1/2" = 1'-0"



D2 DETAIL
REF: NONE SCALE: 6" = 1'-0"

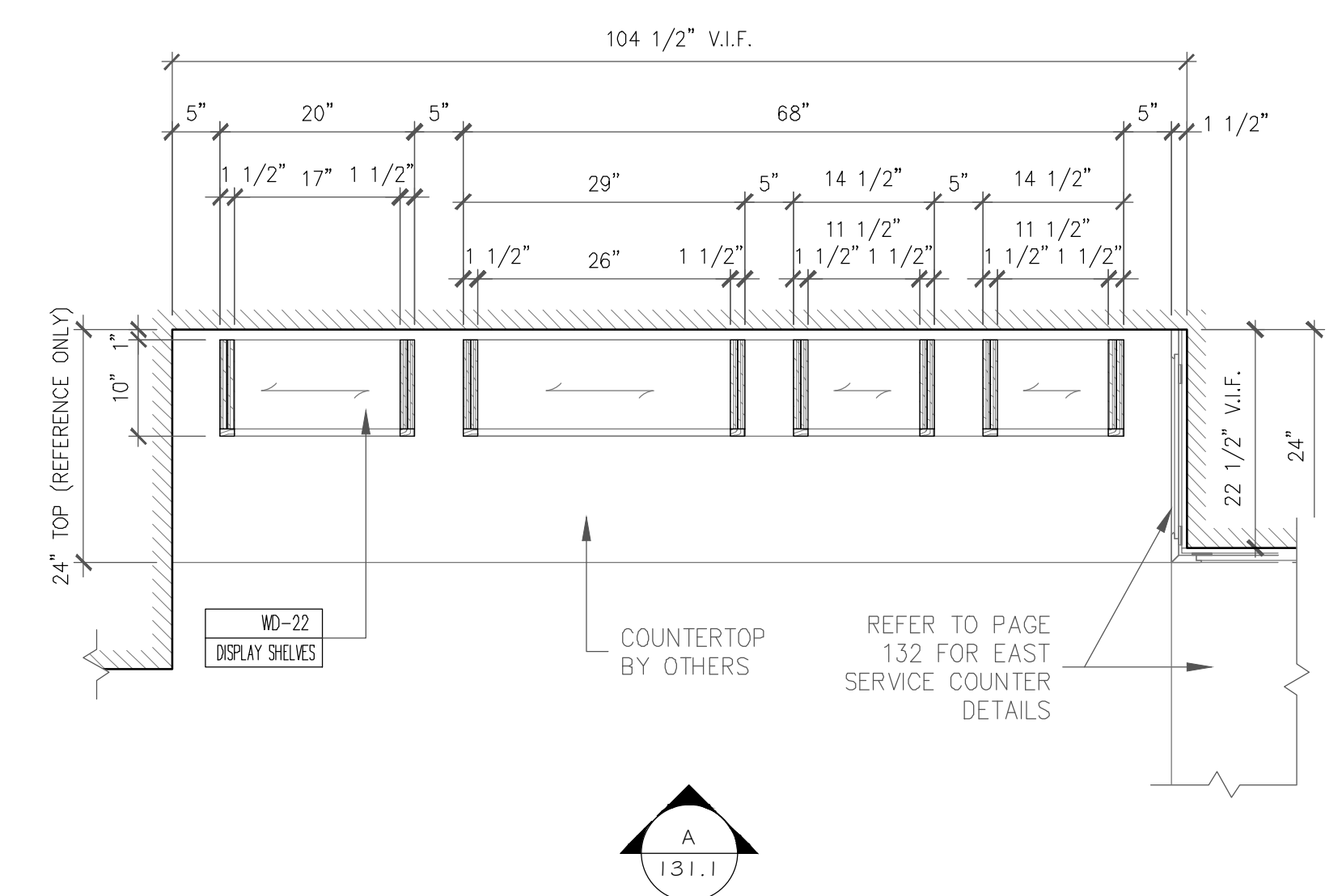
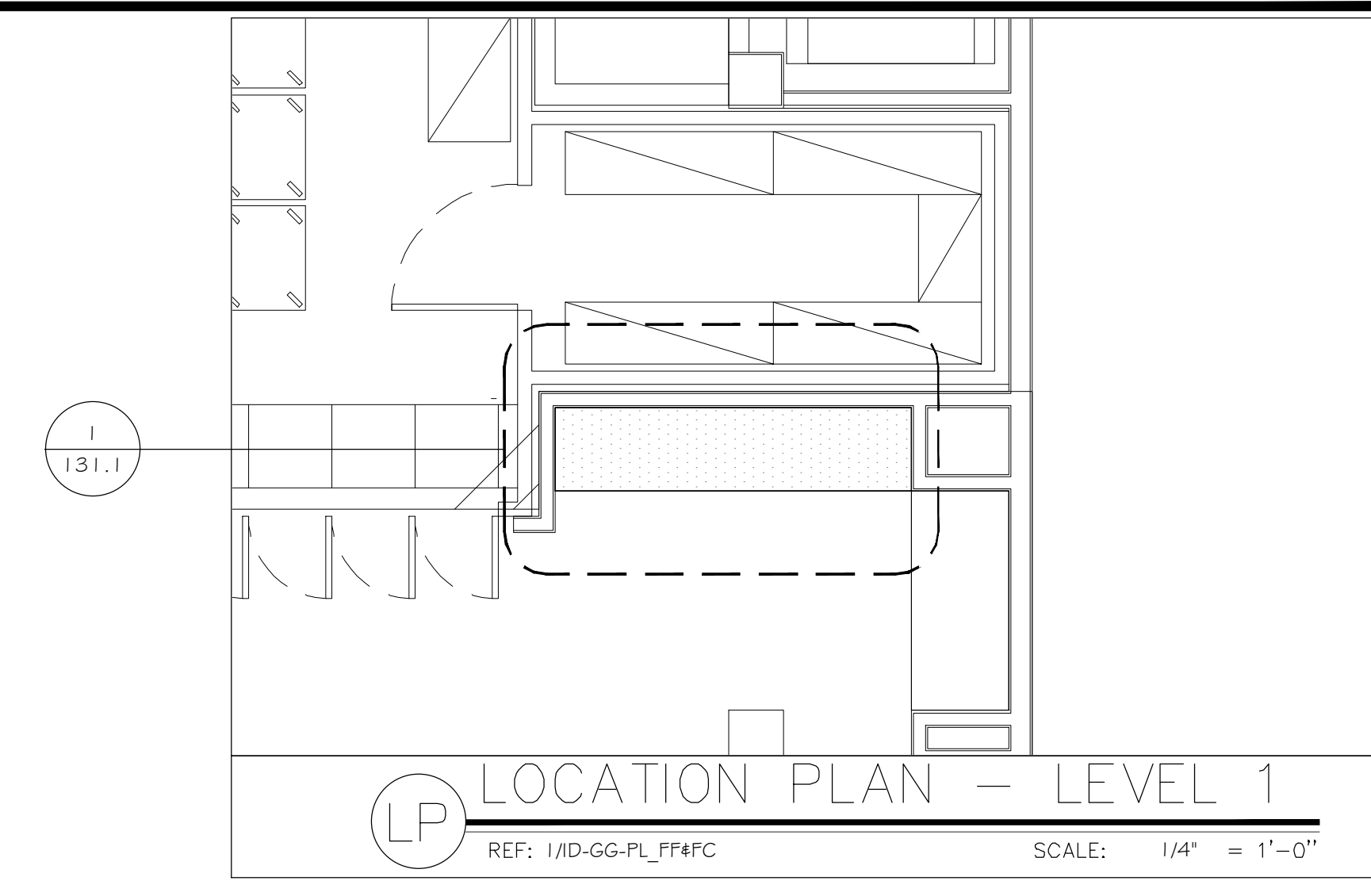
REVISIONS BY

LEVEL 1
FREEZER NICHE
GRAB AND GO

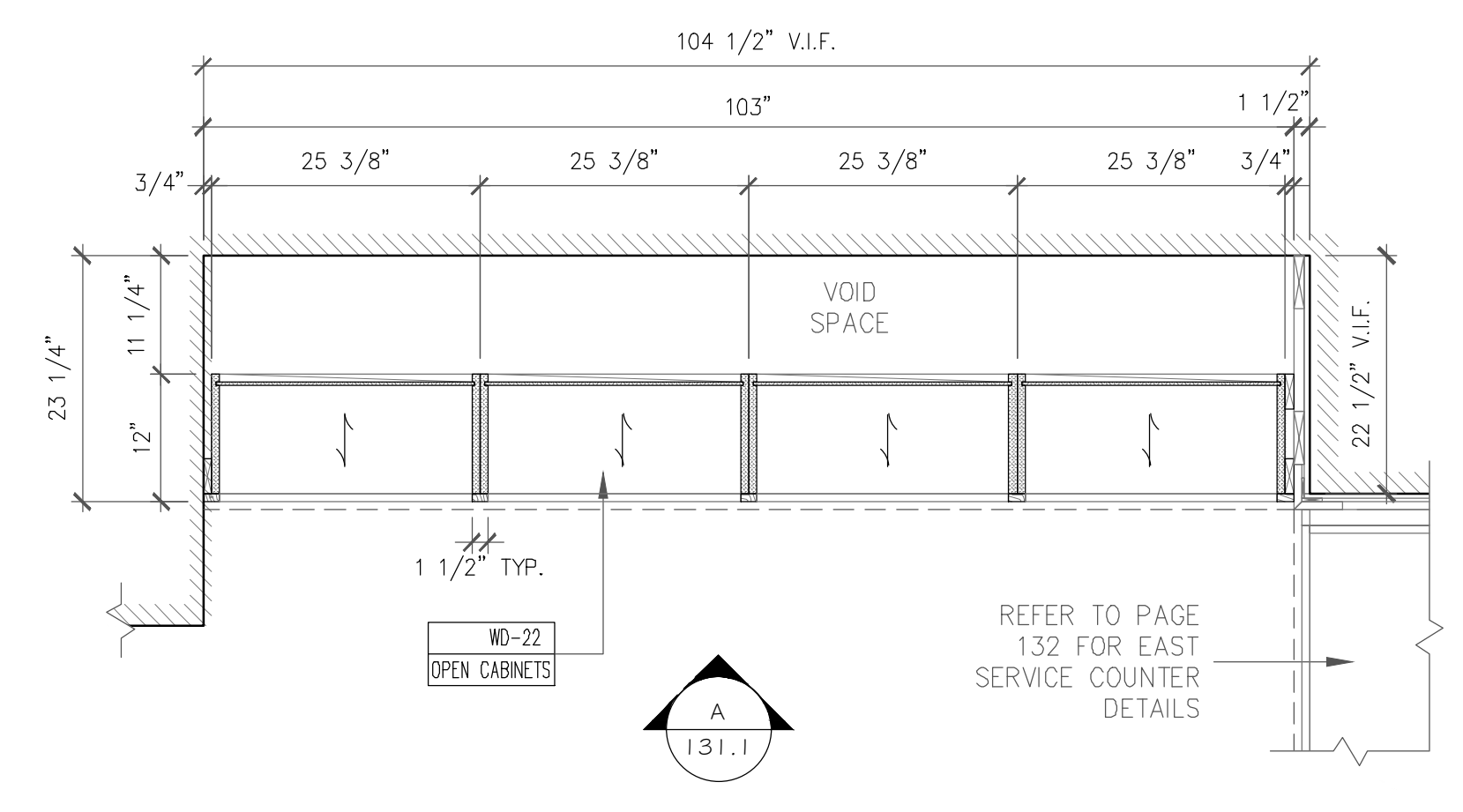
PROJECT
MAUI BAY VILLAS
LOCATION
KIHEI, MAUI, HAWAII

DRAWN
HD
CHECKED
RT
DATE
10/10/2019
SCALE
AS NOTED
JOB NO.

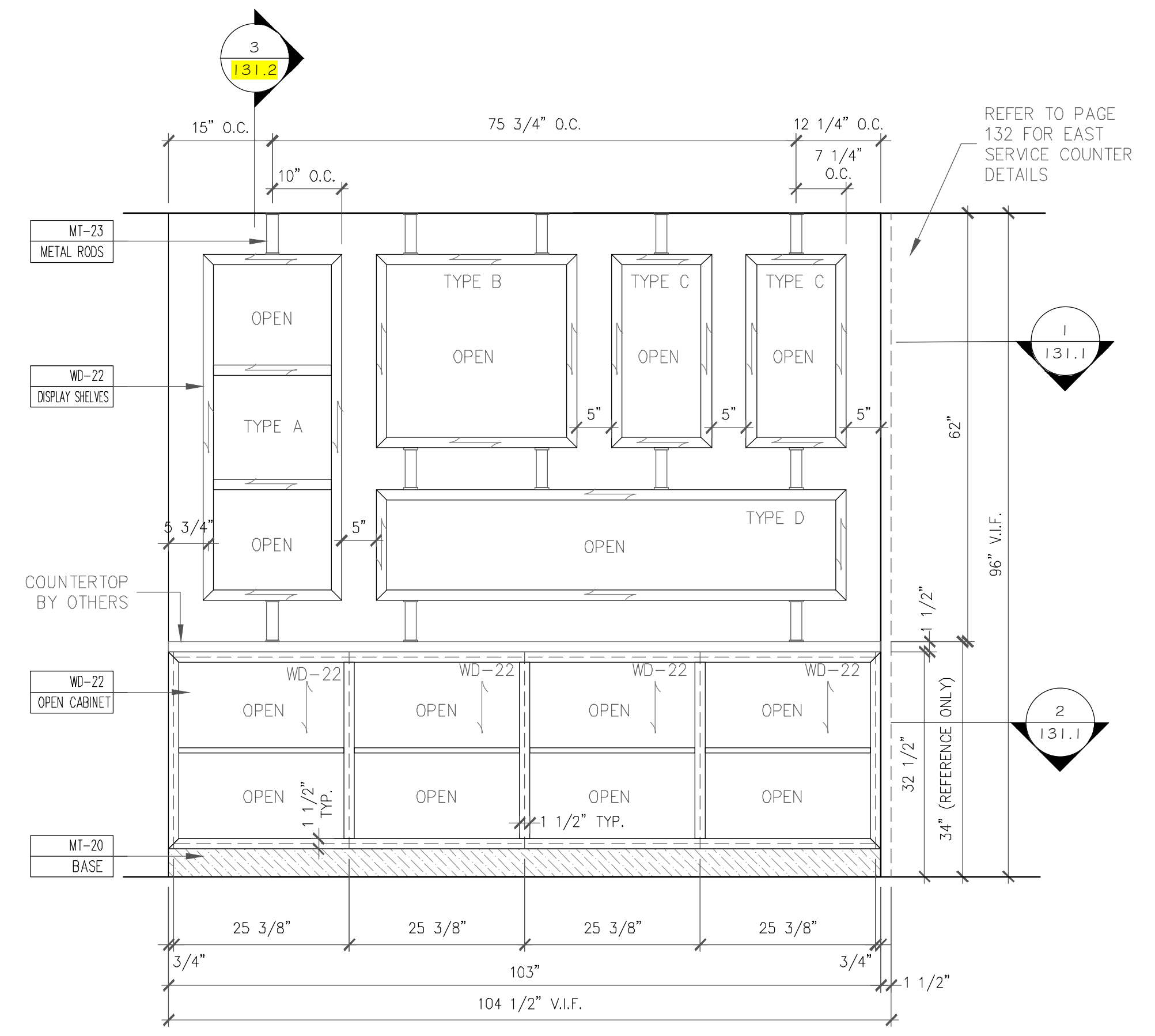
2129
SHEET
125.2
1 of 2



1 PLAN SECTION: NORTH SERVICE COUNTER
 REF: 1/ID-CH1-DT-2.04B SCALE: 3/4" = 1'-0"



2 PLAN SECTION: NORTH SERVICE COUNTER
 REF: NONE SCALE: 3/4" = 1'-0"



A ELEVATION: NORTH SERVICE COUNTER
 REF: 1D-CH1-EL-1, 2/ID-CH1-DT-2.04B SCALE: 3/4" = 1'-0"

REVISIONS	BY

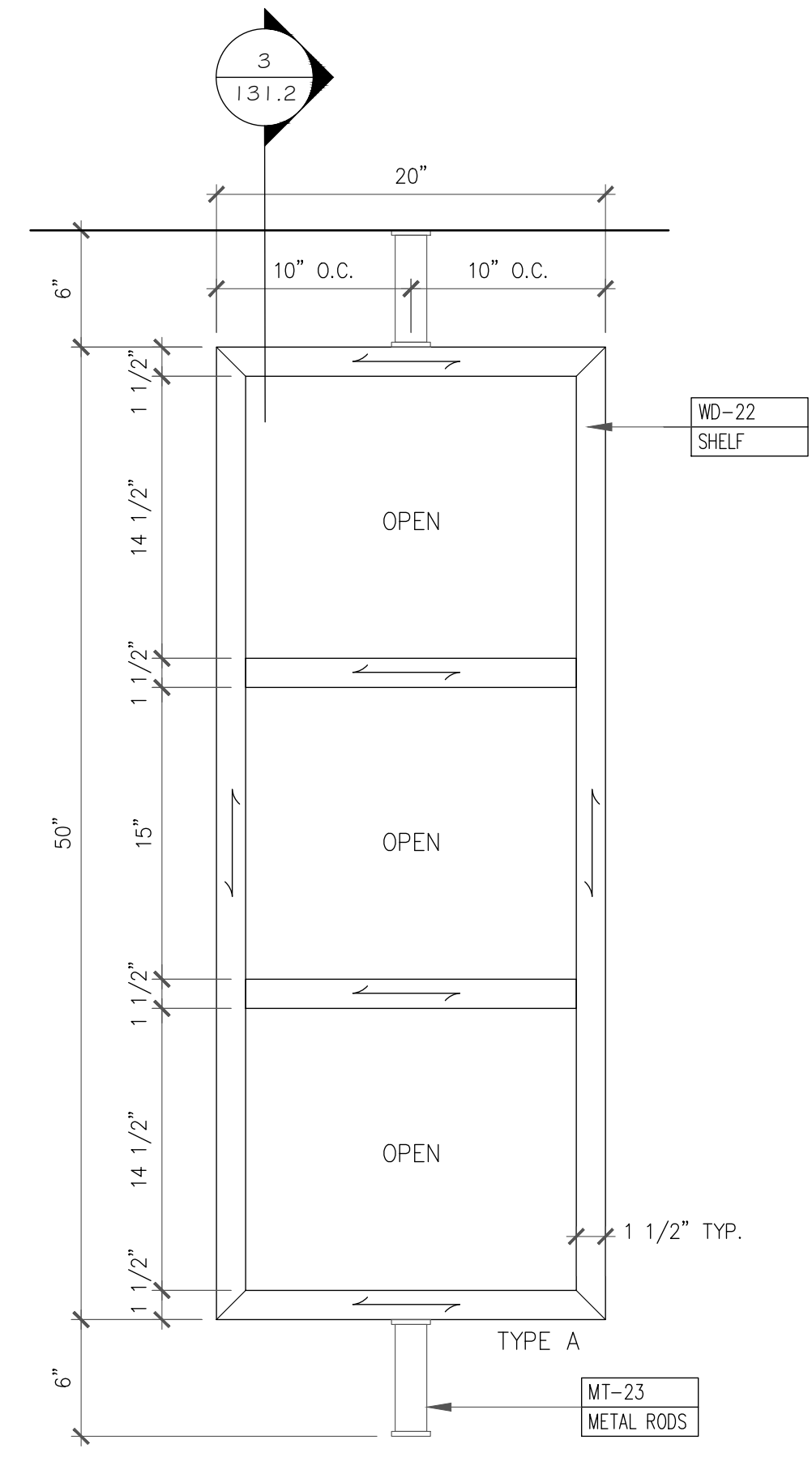
PROJECT
MAUI BAY VILLAS

ITEM
 LEVEL 1
 NORTH SERVICE COUNTER
 MARKET

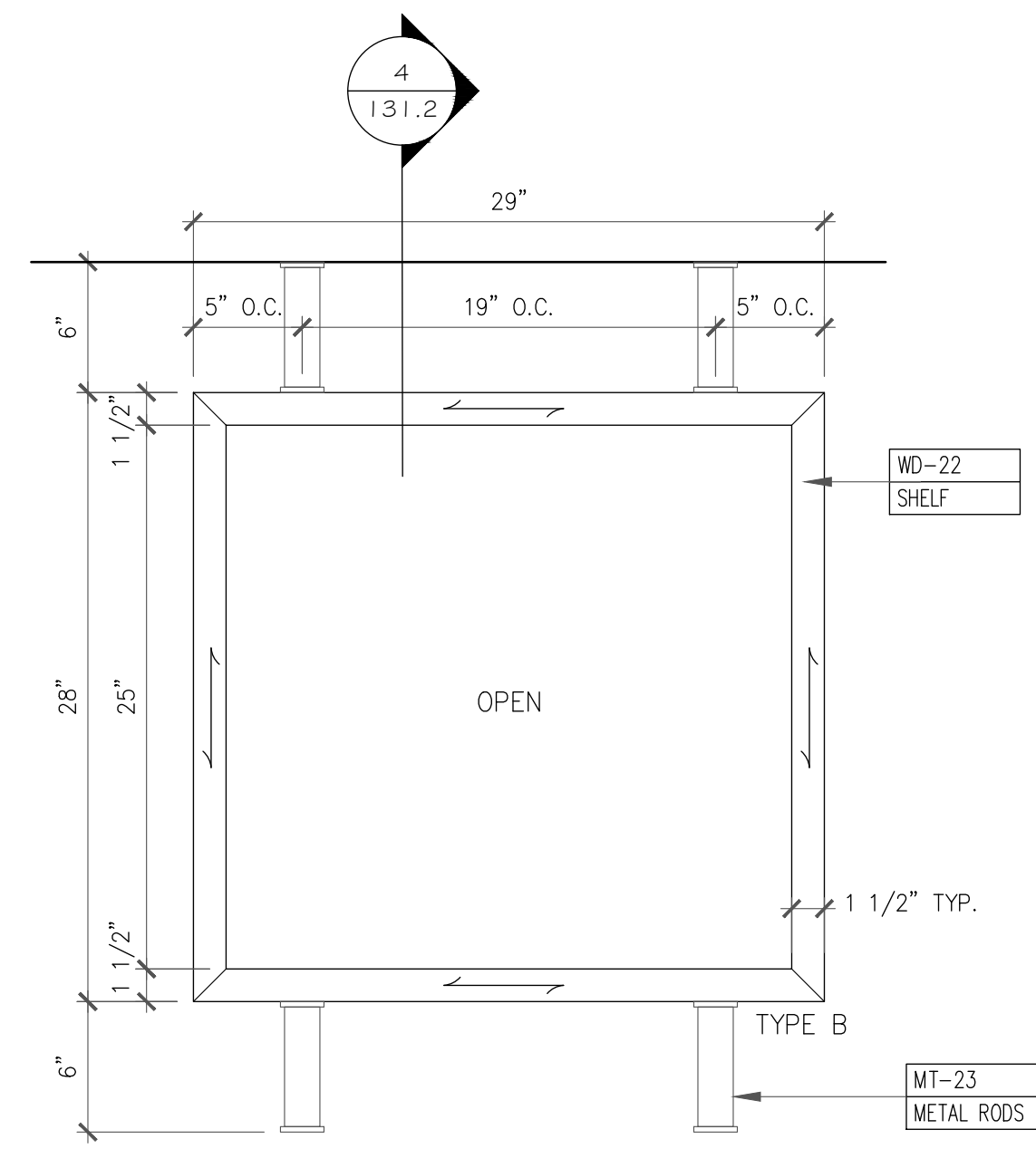
LOCATION
KIHEI, MAUI, HAWAII

DRAWN	HD
CHECKED	RT
DATE	10/10/2019
SCALE	AS NOTED
JOB NO.	2129
SHEET	131.1
1 of 2	

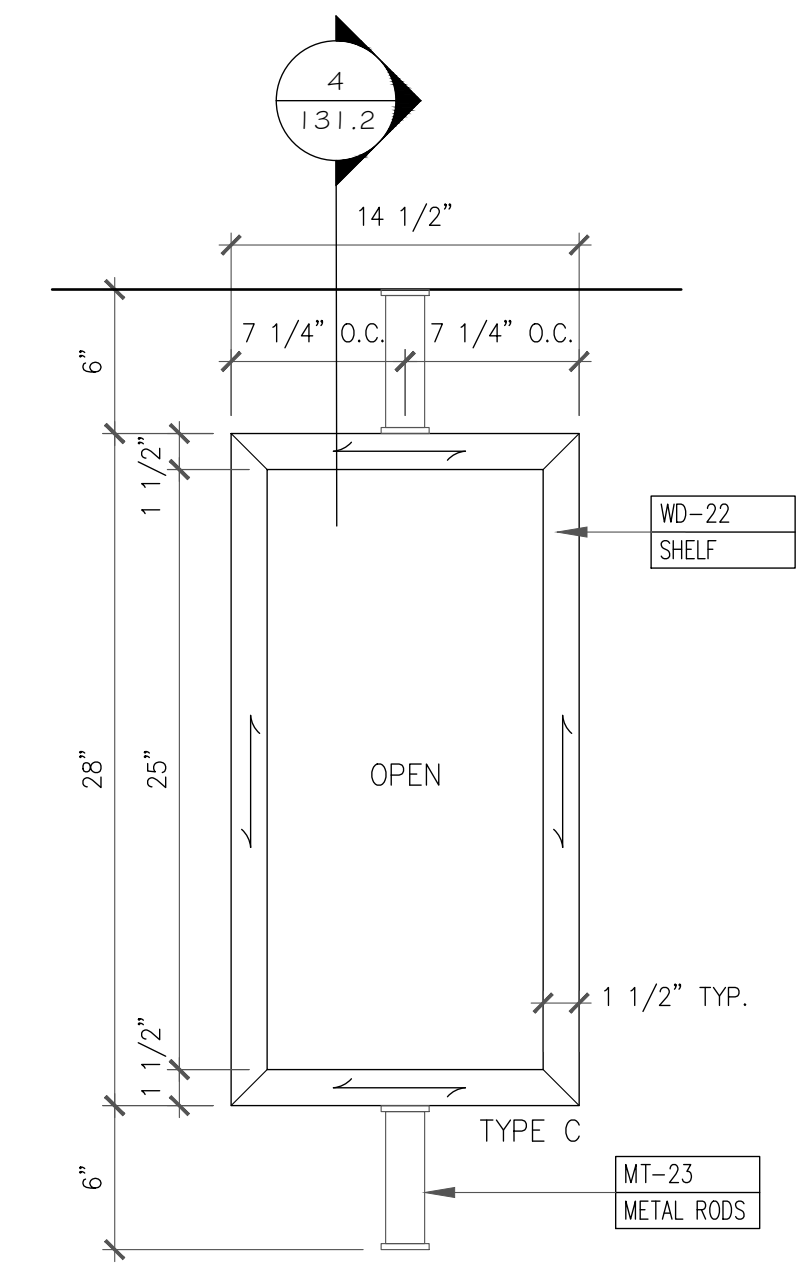
REVISIONS	BY



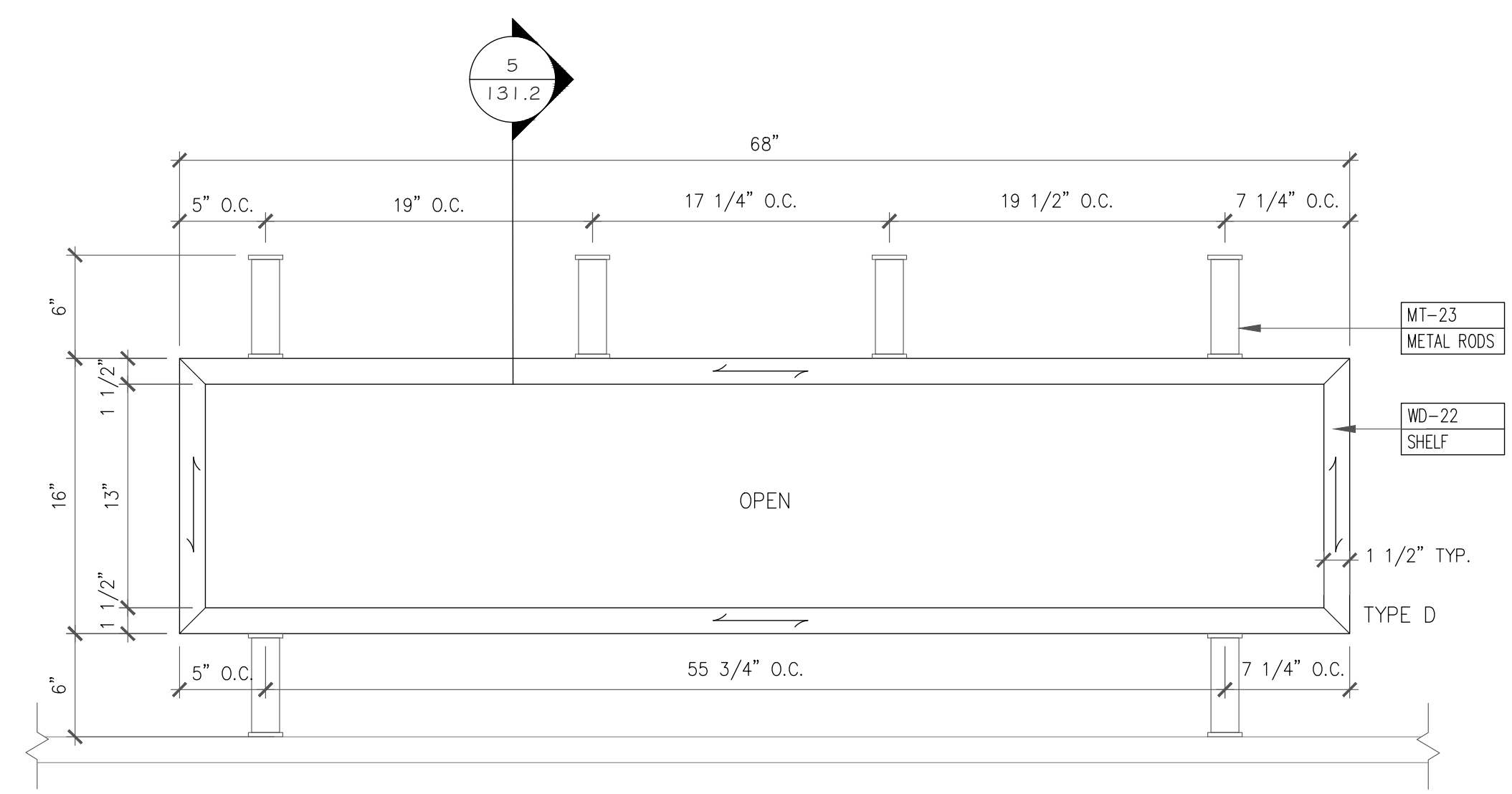
B TYPE A
REF: 8/ID-CH1-DT-2.04B SCALE: 1-1/2" = 1'-0"



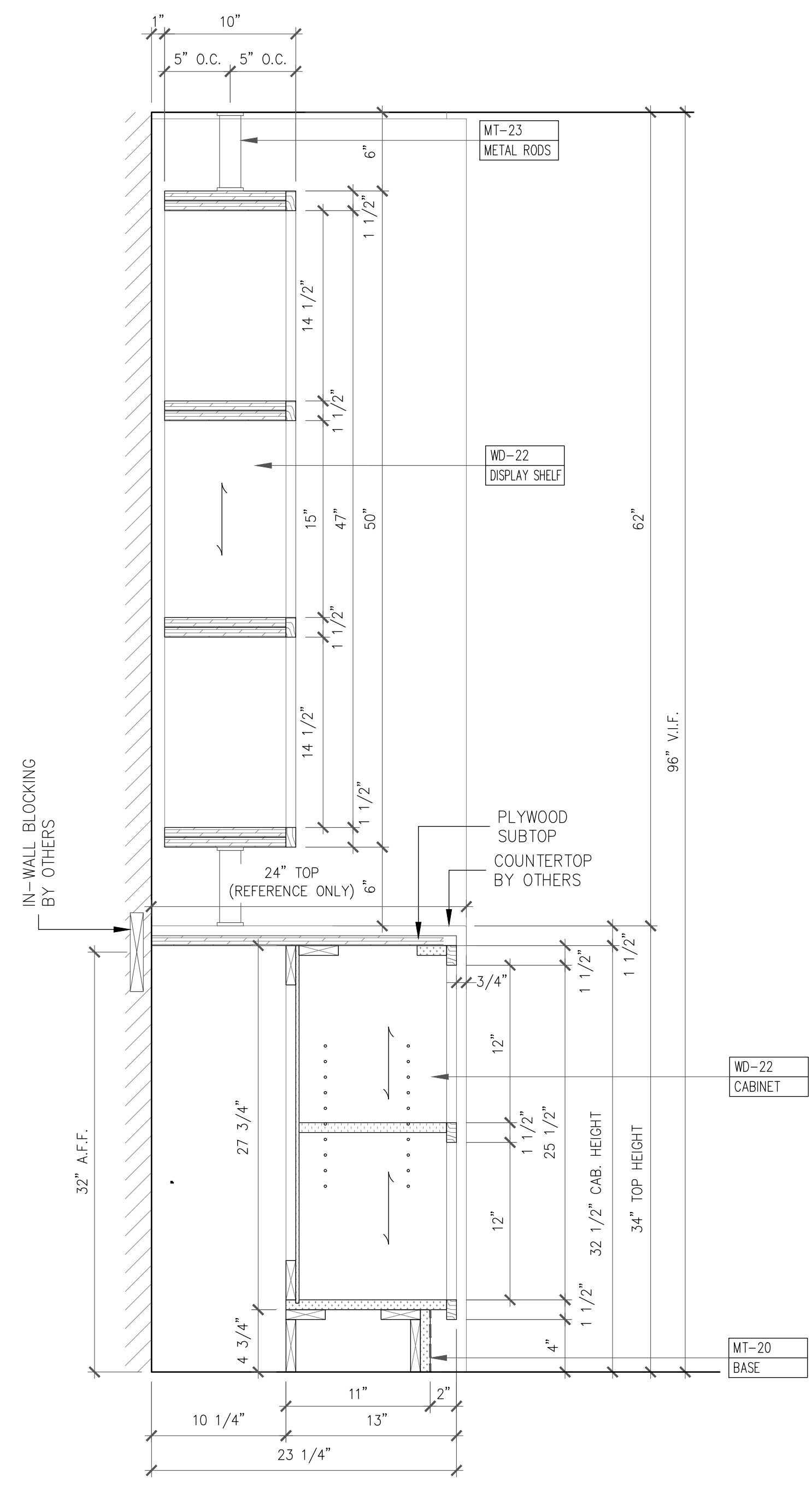
C TYPE B
REF: 9/ID-CH1-DT-2.04B SCALE: 1-1/2" = 1'-0"



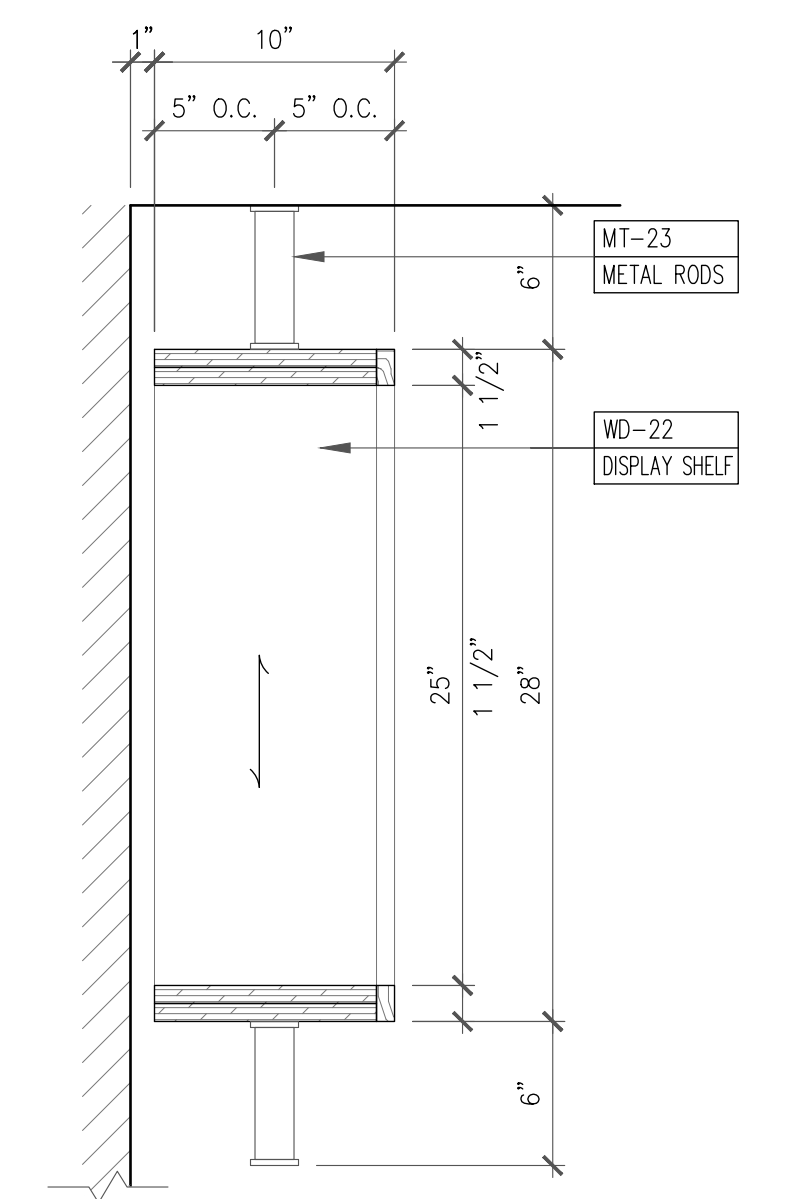
D TYPE C
REF: 10/ID-CH1-DT-2.04B SCALE: 1-1/2" = 1'-0"



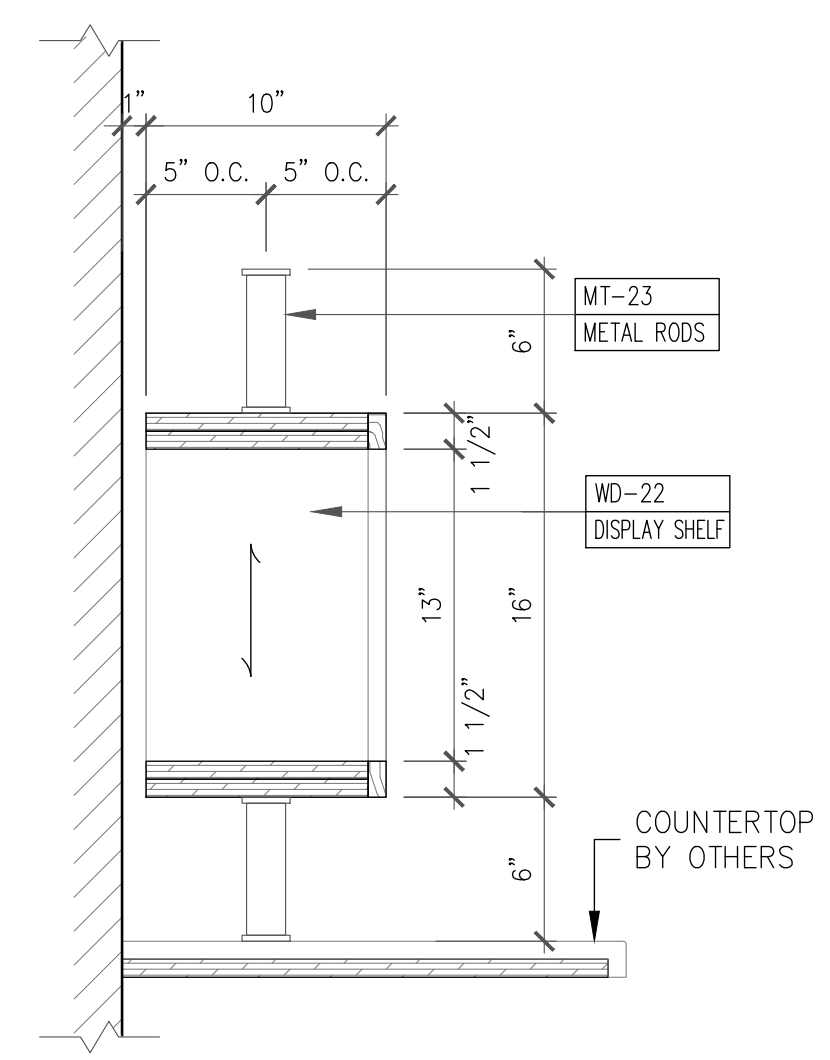
E TYPE D
REF: 8/ID-CH1-DT-2.04B SCALE: 1-1/2" = 1'-0"



3 SECTION CAB & TYPE A SHEVING
REF: NONE SCALE: 1-1/2" = 1'-0"



4 15/ID-CH1-DR-2.04B
REF: NONE SCALE: 1-1/2" = 1'-0"

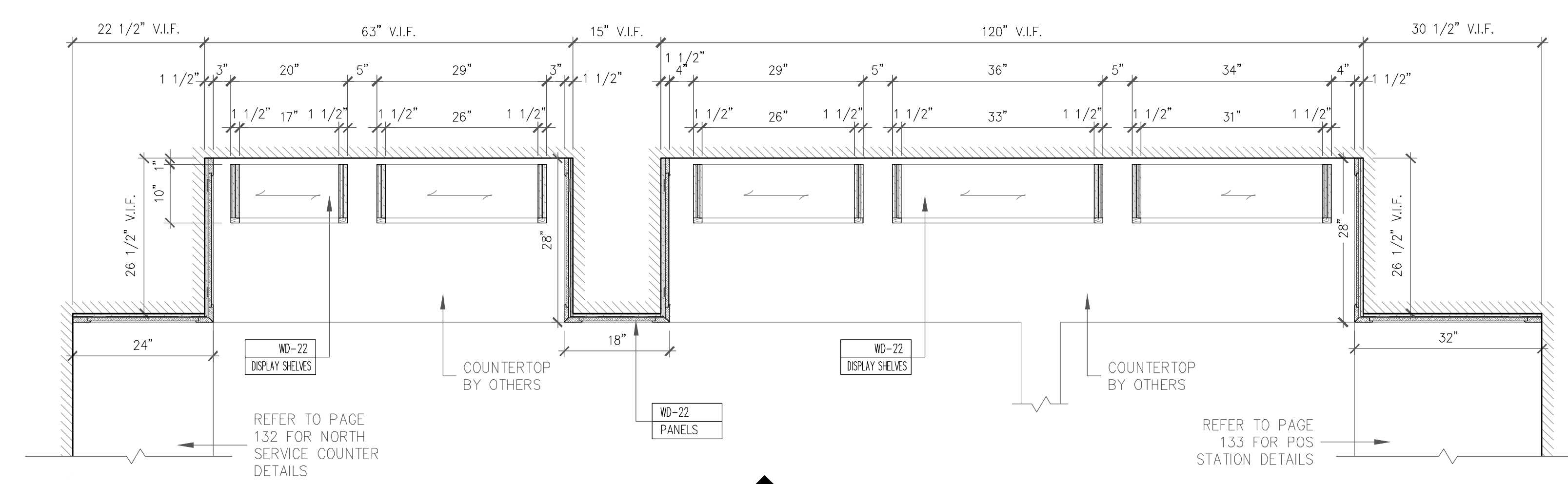
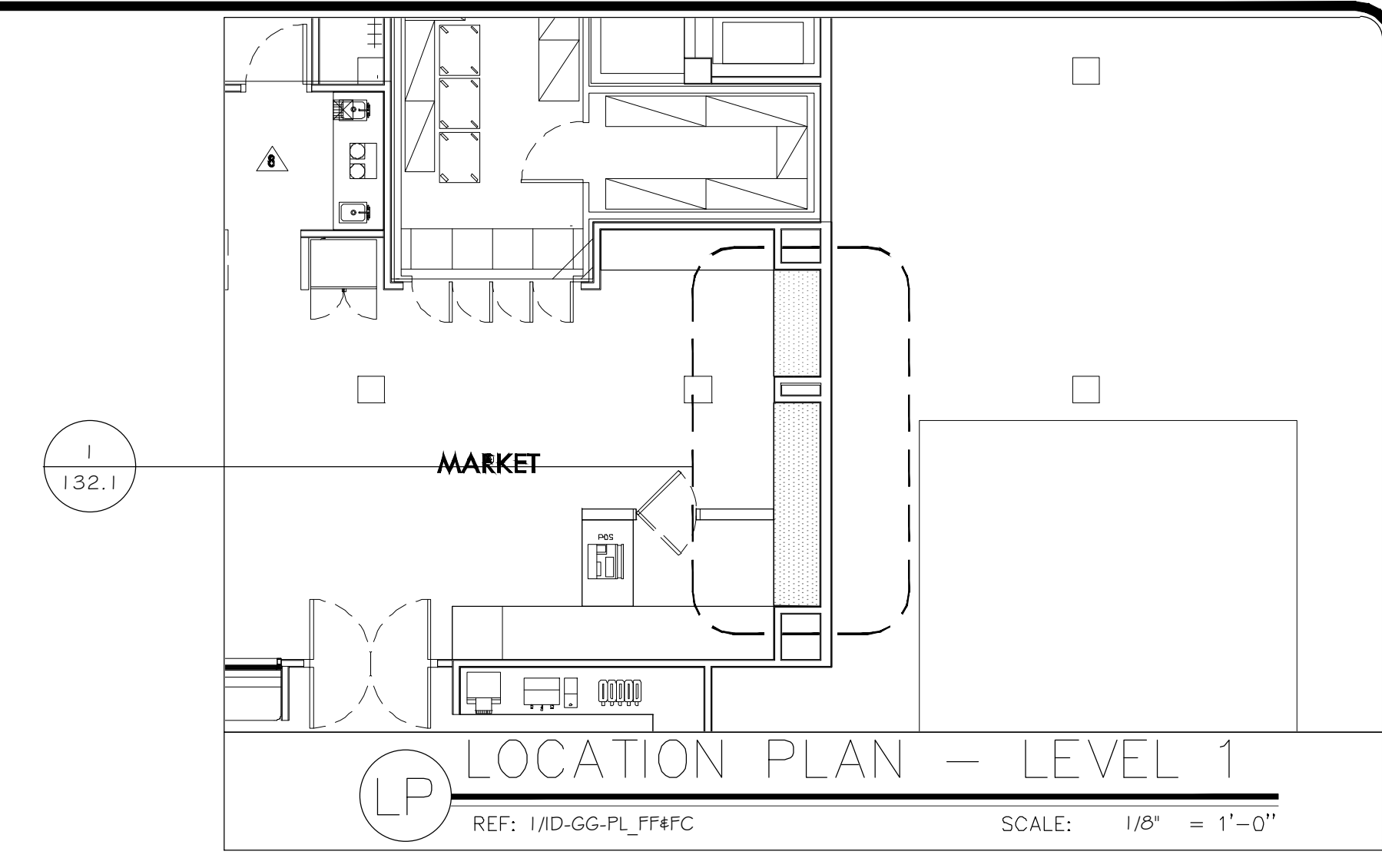


5 TYPE D
REF: NONE SCALE: 1-1/2" = 1'-0"

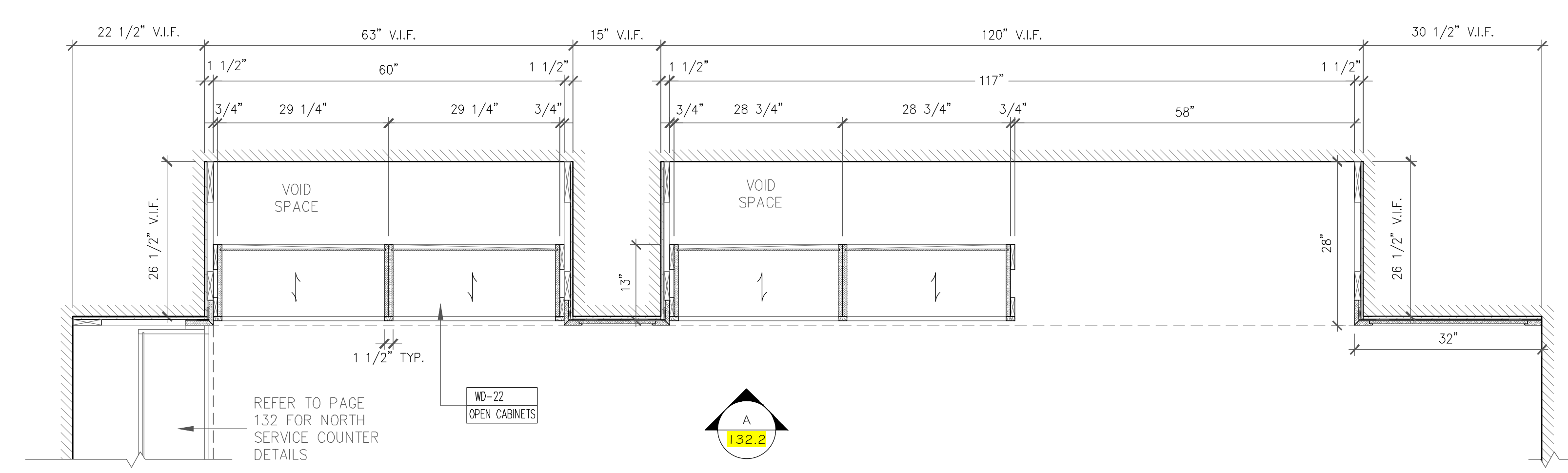
PROJECT **MAUI BAY VILLAS**
LOCATION **KIHEI, MAUI, HAWAII**
ITEM **LEVEL 1 NORTH SERVICE COUNTER MARKET**

DRAWN HD
CHECKED RT
DATE 10/10/2019
SCALE
AS NOTED
JOB NO.

2129
SHEET
131.2
1 of 2



1 PLAN SECTION: EAST SERVICE COUNTER
 REF: 1/ID-CH1-DT-2.02 SCALE: 3/4" = 1'-0"



2 PLAN SECTION: EAST SERVICE COUNTER
 REF: 2/ID-CH1-DT-2.02 SCALE: 3/4" = 1'-0"

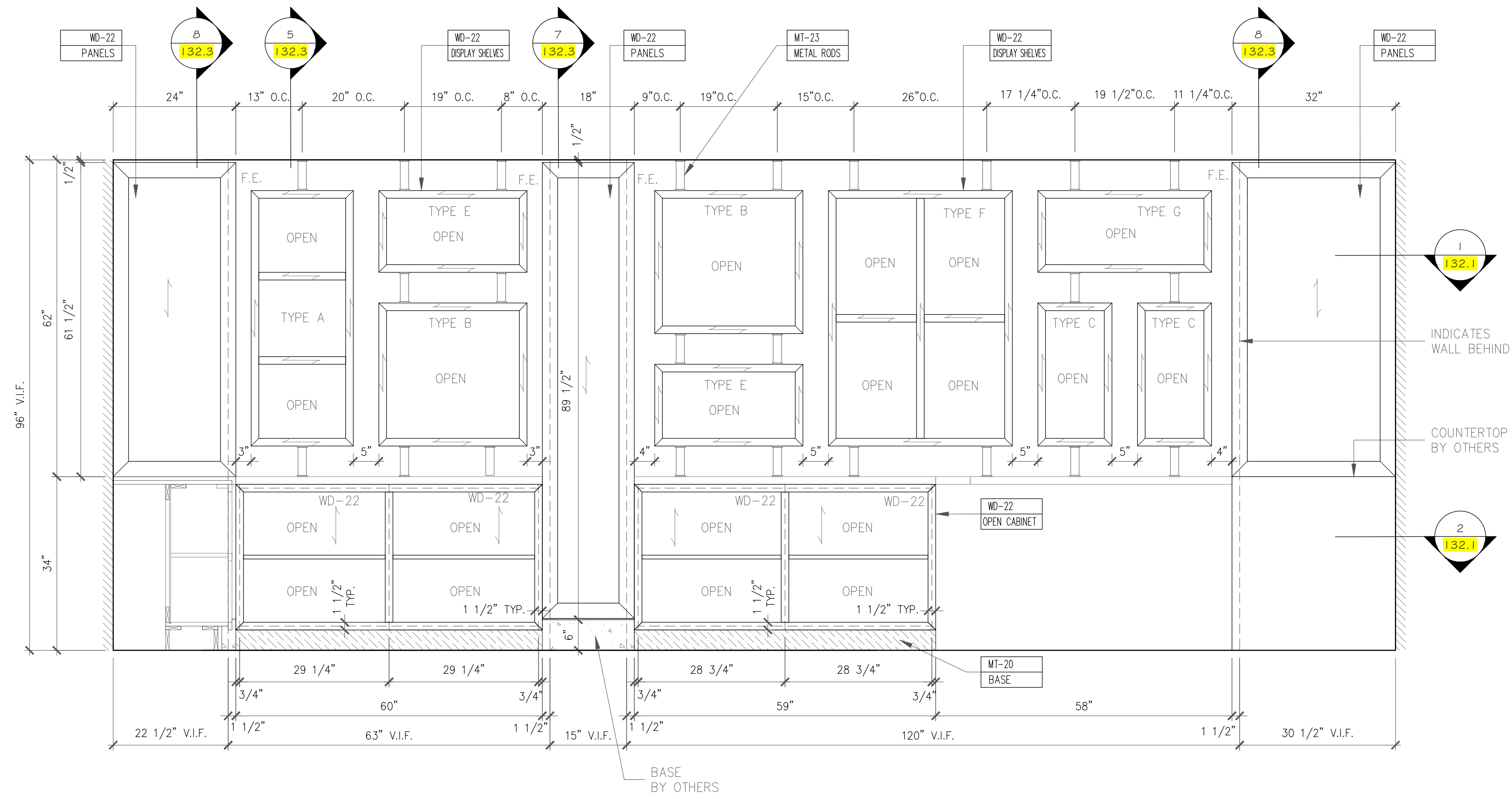
REVISIONS	BY

PROJECT
MAUI BAY VILLAS

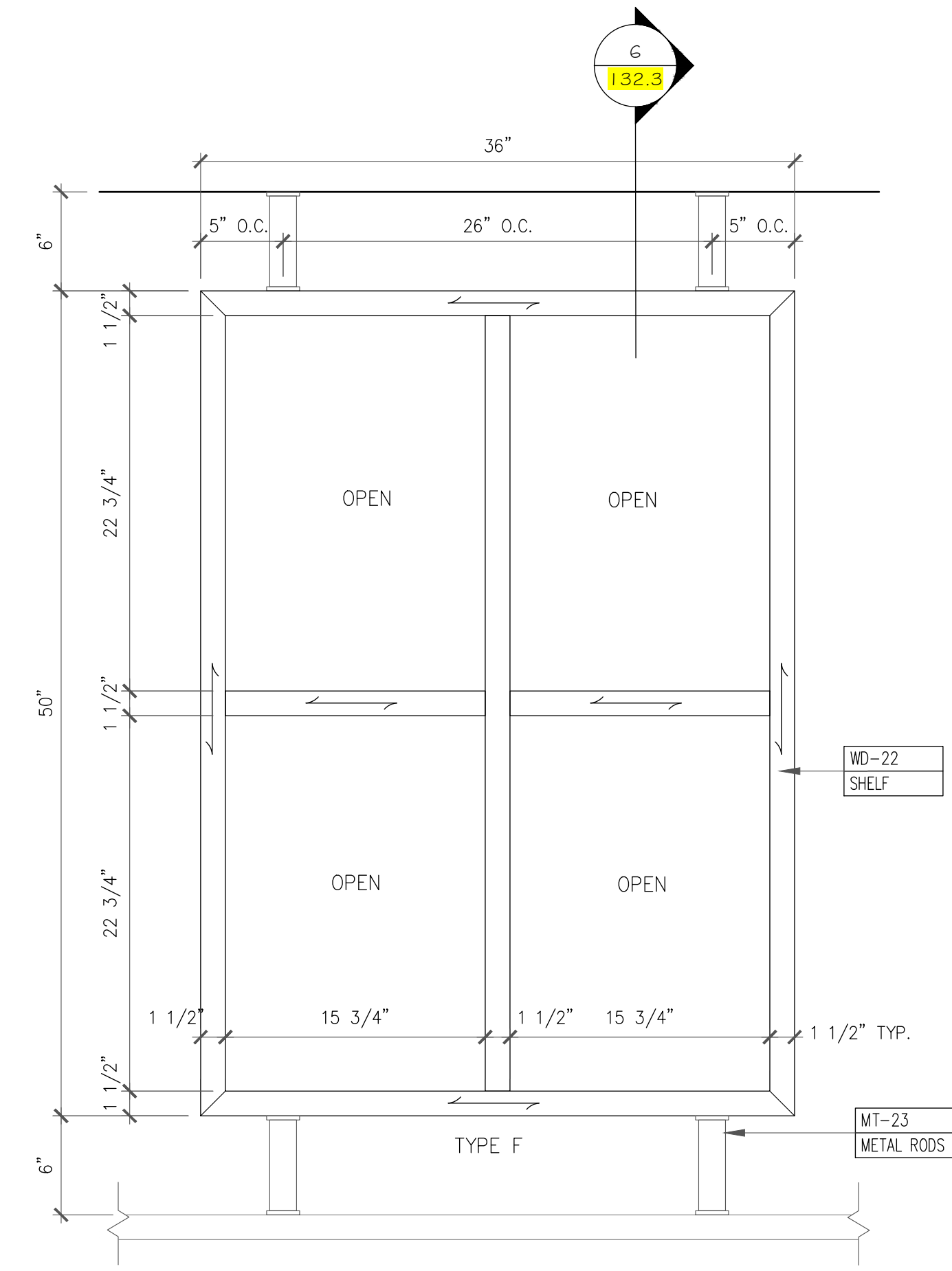
ITEM
 LEVEL 1
 EAST SERVICE COUNTER
 MARKET

LOCATION
KIHEI, MAUI, HAWAII

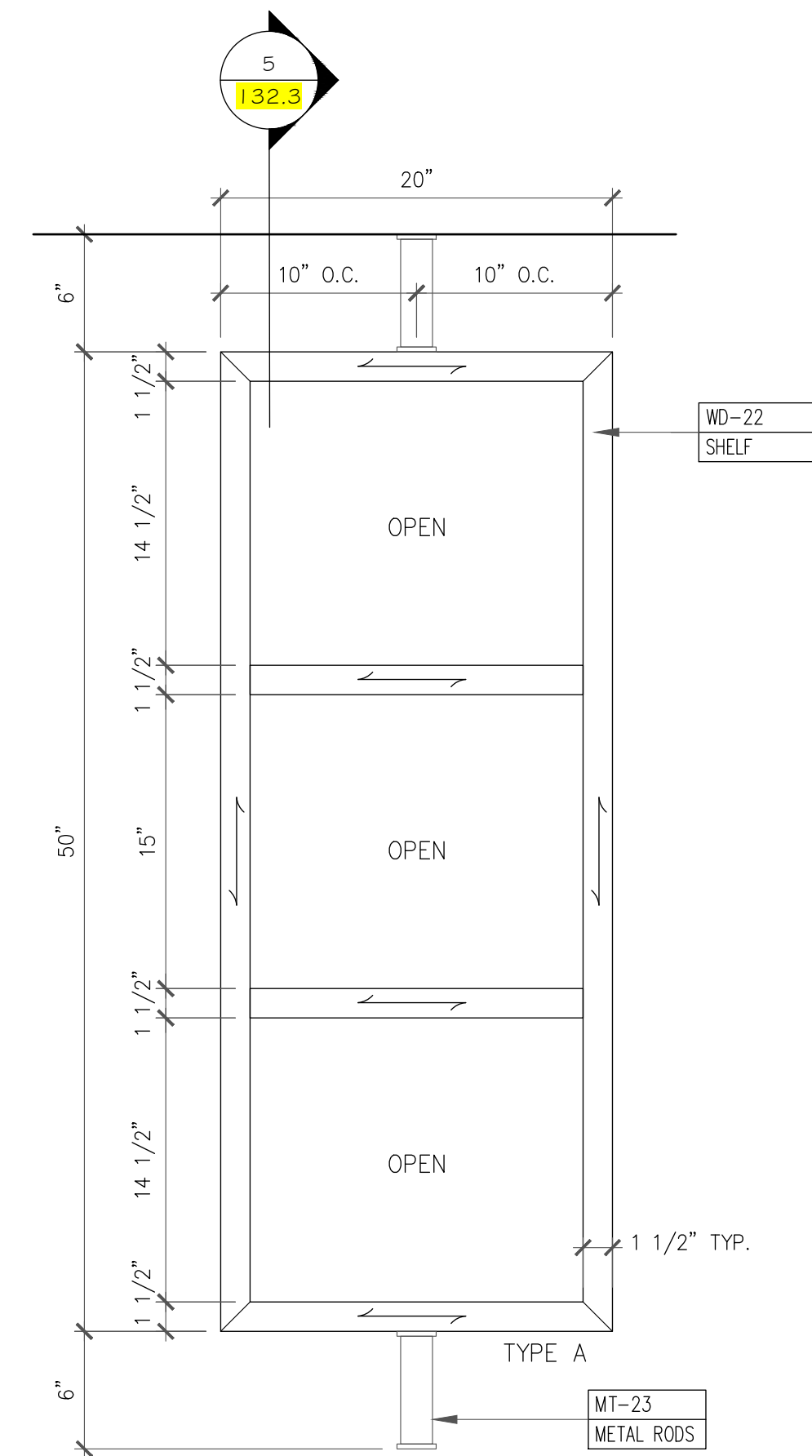
DRAWN	HD
CHECKED	RT
DATE	10/10/2019
SCALE	AS NOTED
JOB NO.	2129
SHEET	132.1
1 of 2	



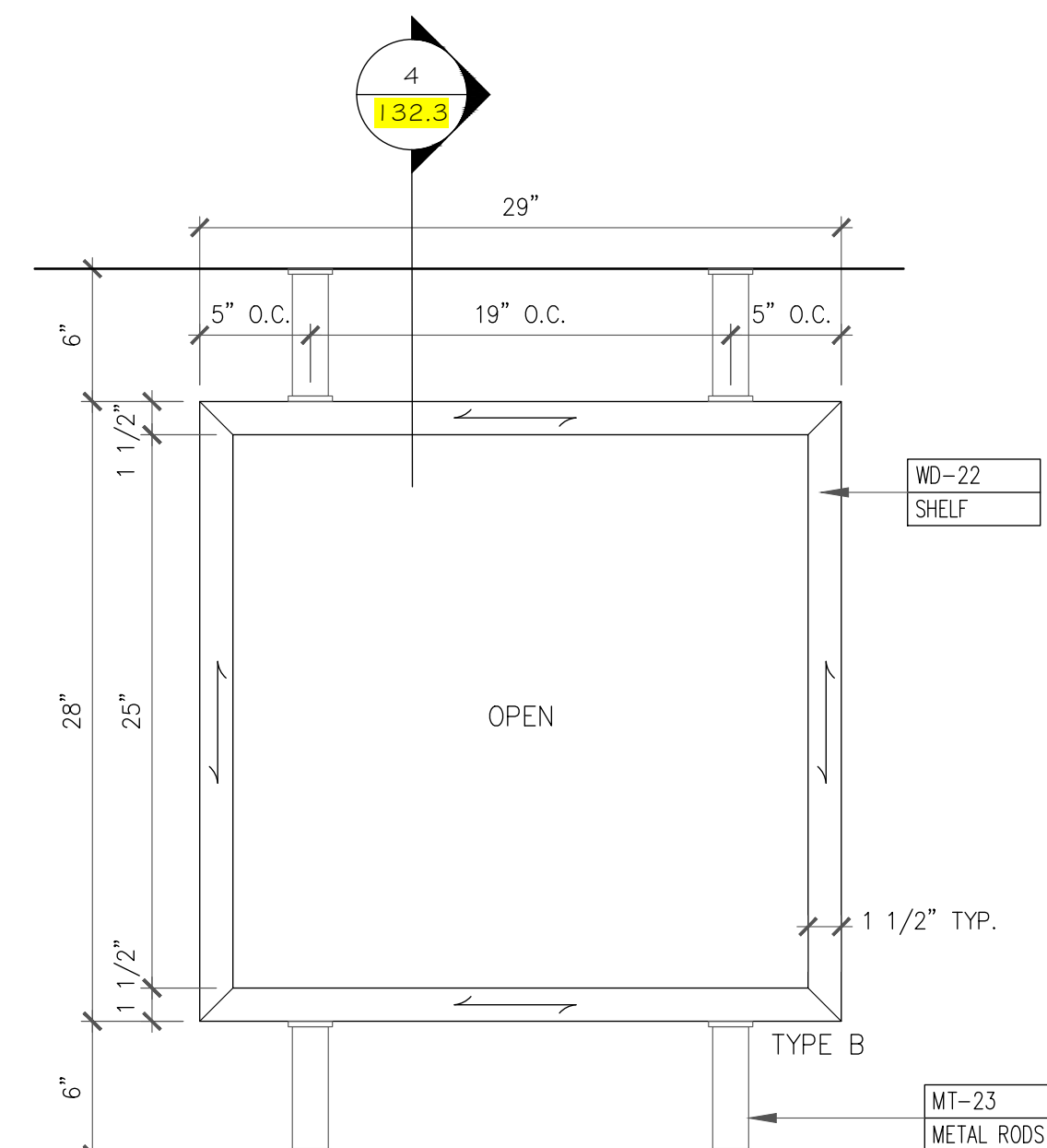
A ELEVATION: EAST SERVICE COUNTER
 REF: 1D-CH1-EL-1, 2/D-CH1-DT-2.04B SCALE: 3/4" = 1'-0"



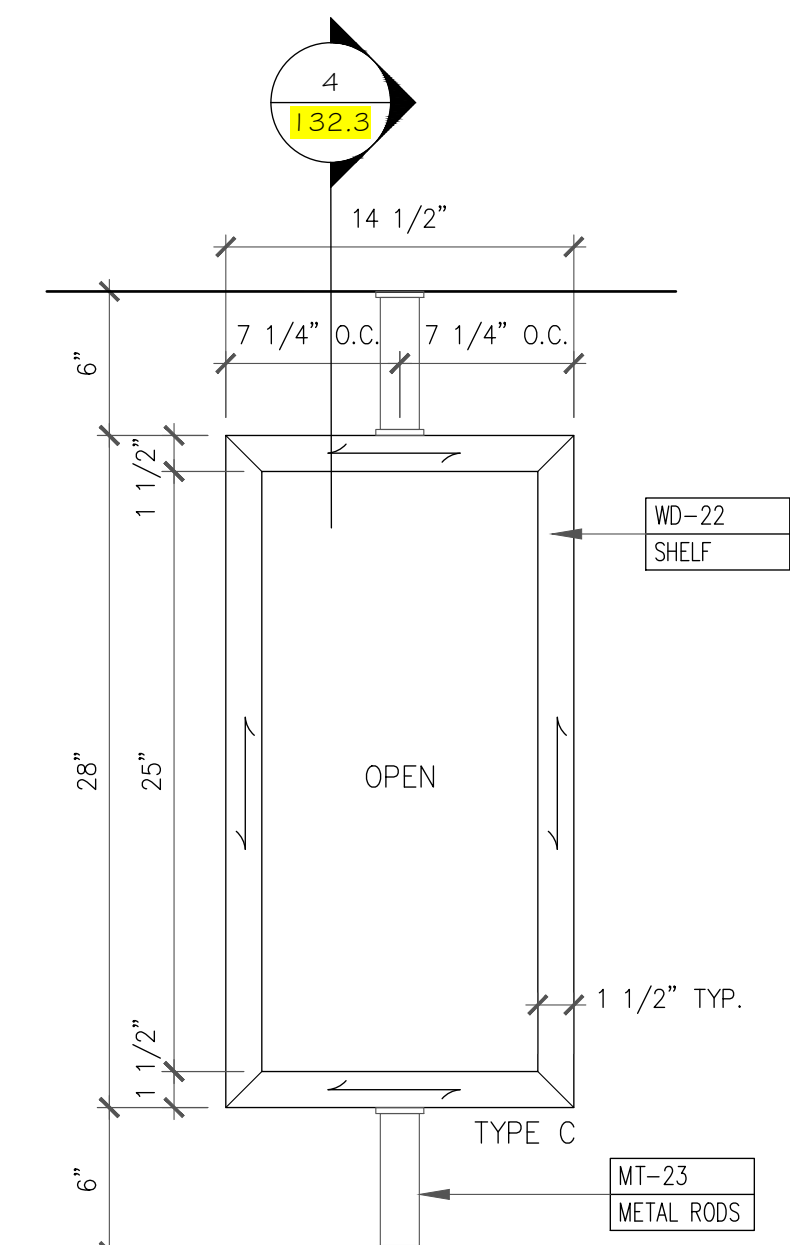
F TYPE F
 REF: 13/D-CH1-DT-2.04B SCALE: 1-1/2" = 1'-0"



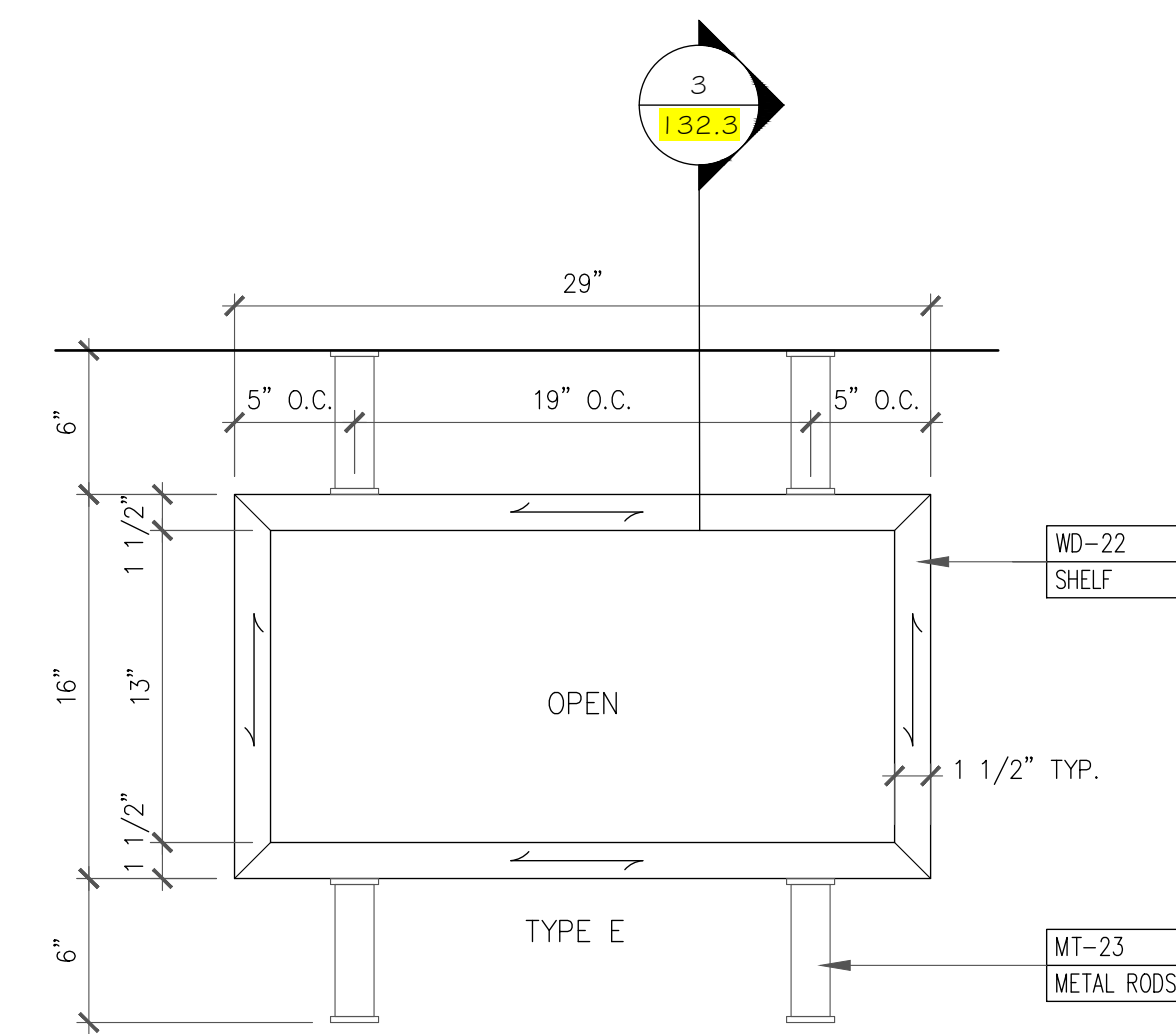
B TYPE A
 REF: 8/D-CH1-DT-2.04B SCALE: 1-1/2" = 1'-0"



C TYPE B
 REF: 9/D-CH1-DT-2.04B SCALE: 1-1/2" = 1'-0"



D TYPE C
 REF: 10/D-CH1-DT-2.04B SCALE: 1-1/2" = 1'-0"



E TYPE E
 REF: 12/D-CH1-DT-2.04B SCALE: 1-1/2" = 1'-0"

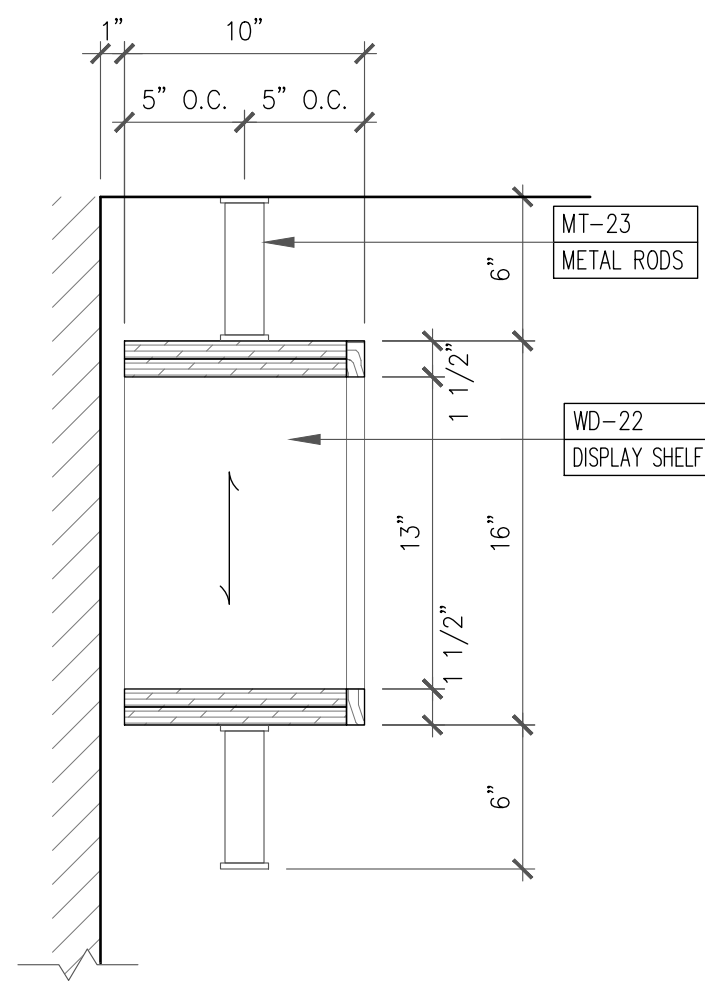
REVISIONS	BY

PROJECT
MAUI BAY VILLAS
 LOCATION
KIHEI, MAUI, HAWAII

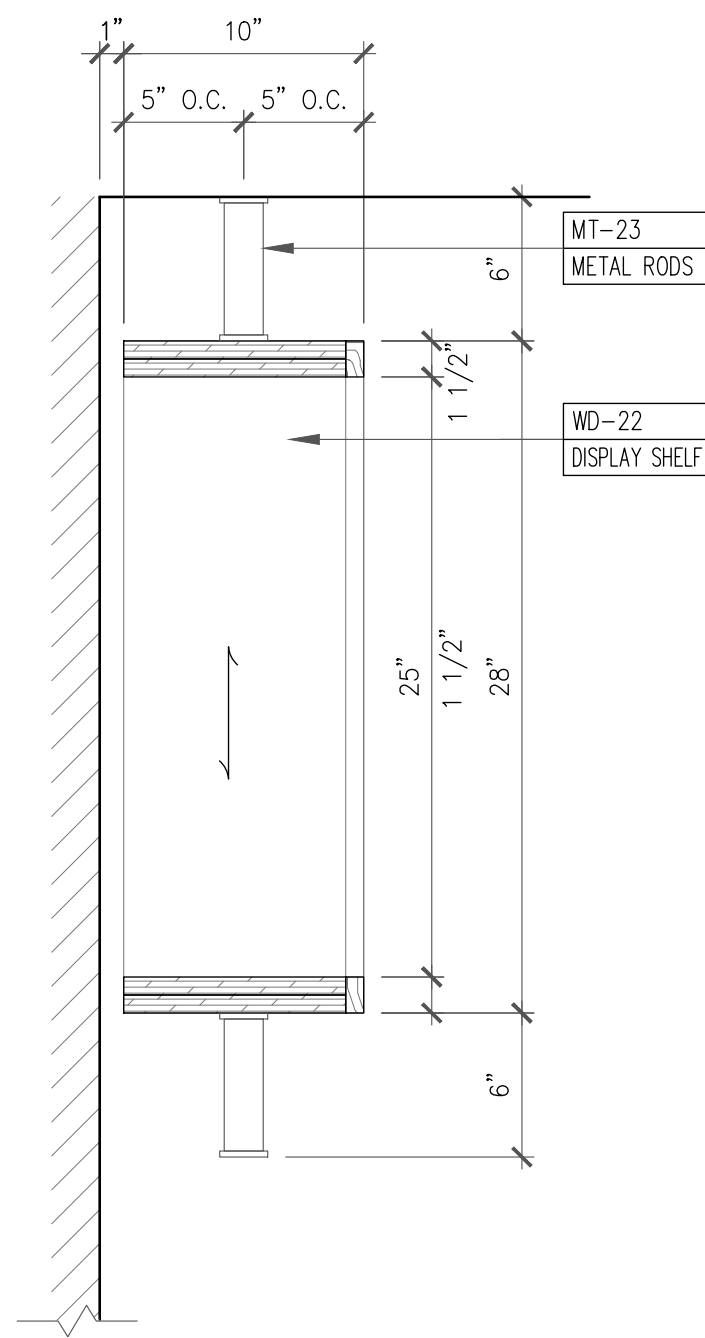
ITEM
 LEVEL 1
 EAST SERVICE COUNTER
 MARKET

DRAWN
 HD
 CHECKED
 RT
 DATE
 10/10/2019
 SCALE
 AS NOTED
 JOB NO.

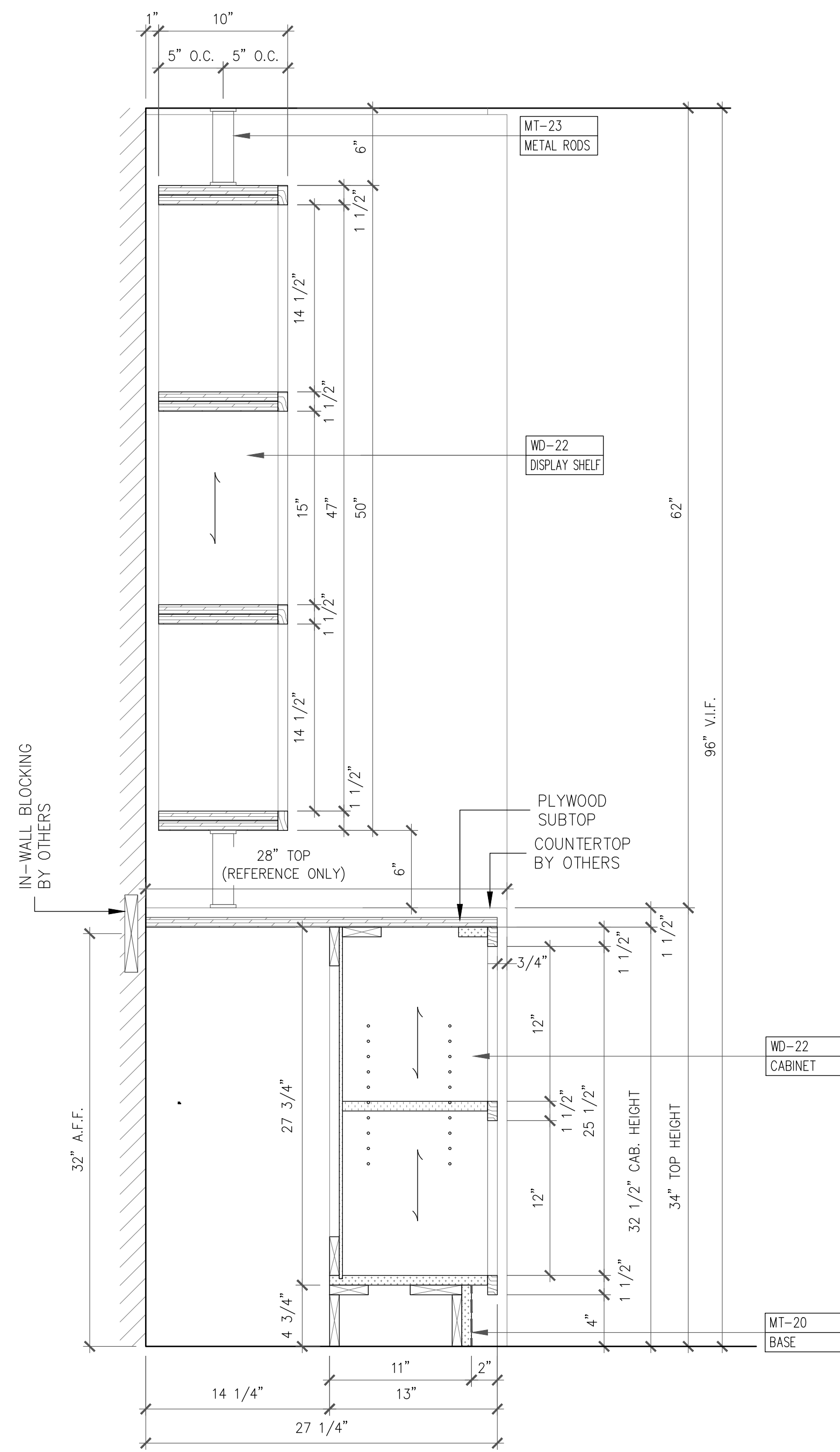
2129
 SHEET
132.2
 1 of 2



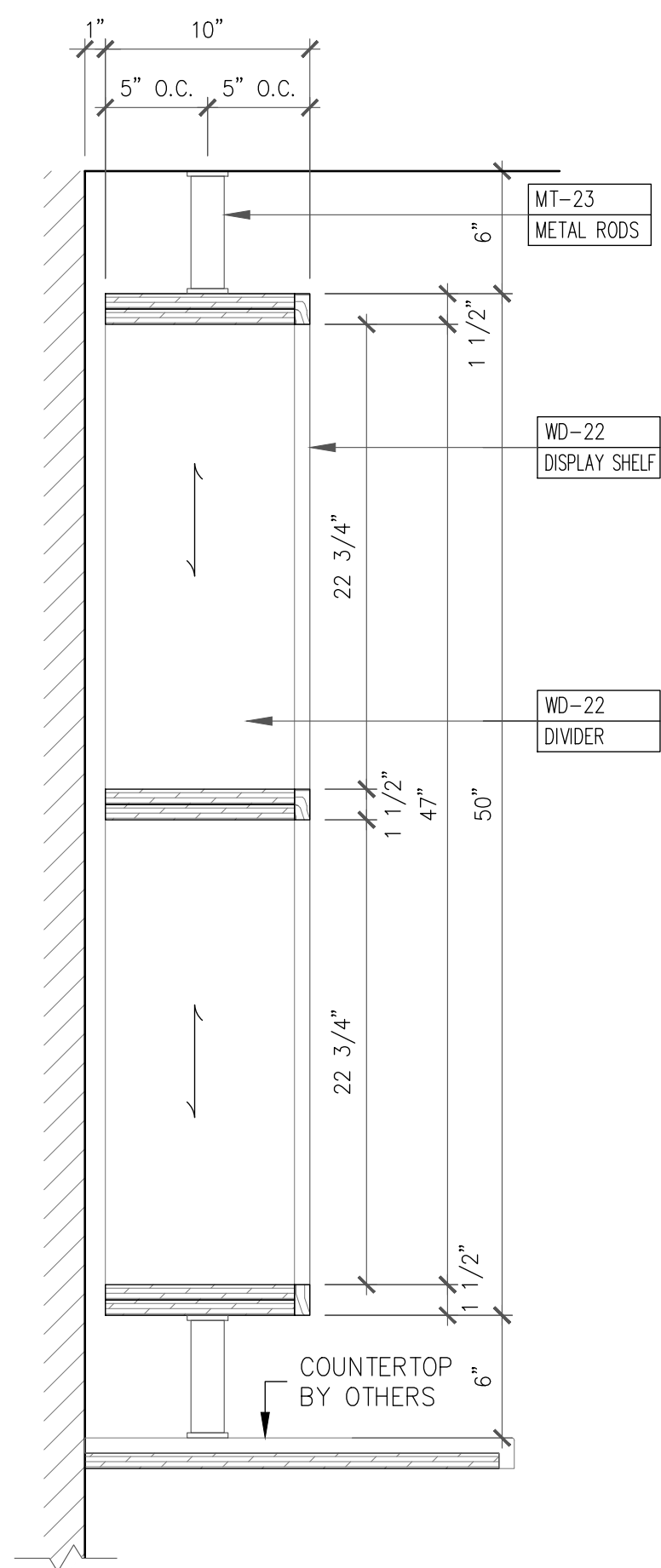
3 TYPE E
REF: NONE SCALE: 1-1/2" = 1'-0"



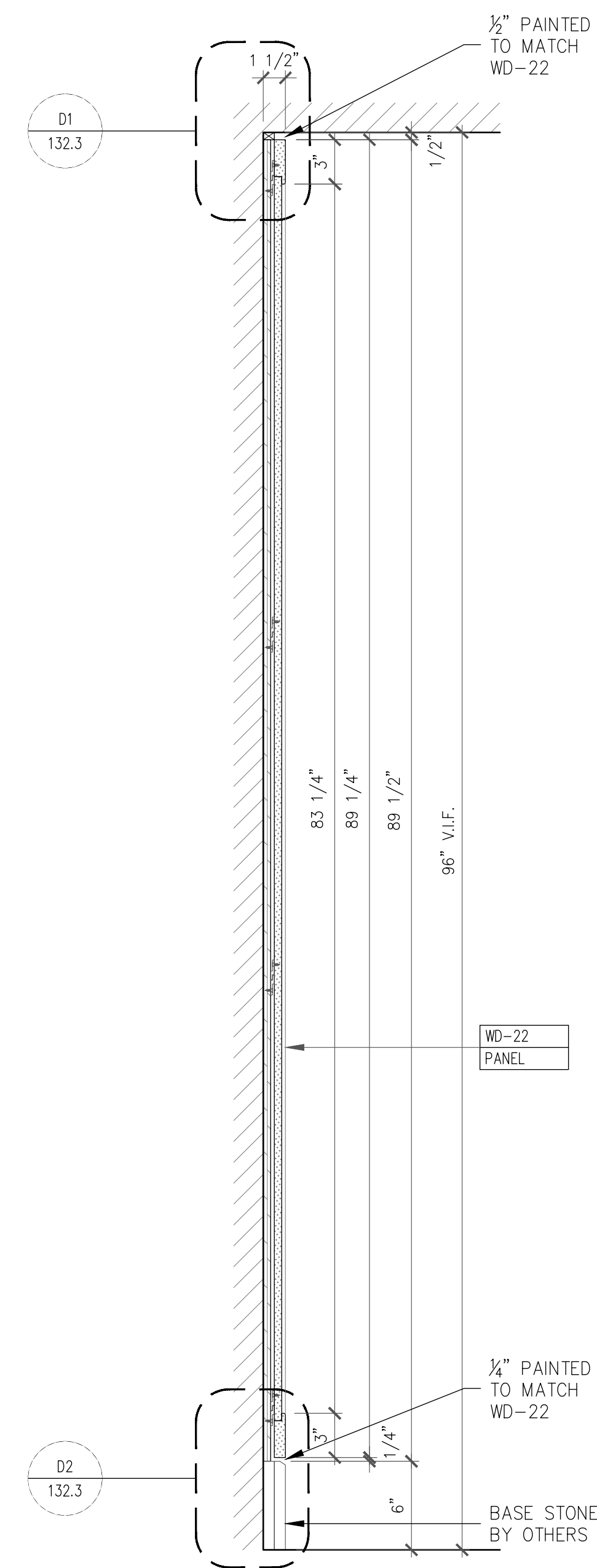
4 TYPE B & TYPE C
REF: 15/ID-CH1-DR-2.04B SCALE: 1-1/2" = 1'-0"



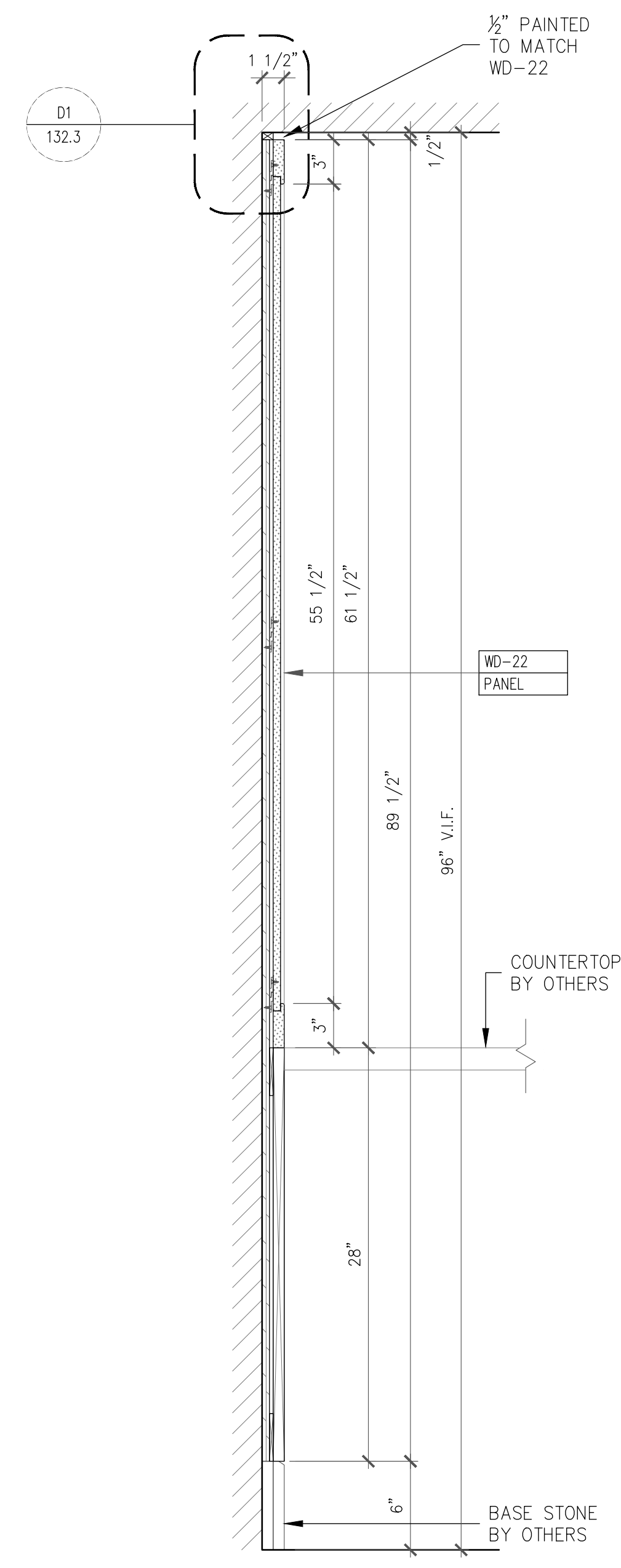
5 SECTION CAB & TYPE A SHEVING
REF: NONE SCALE: 1-1/2" = 1'-0"



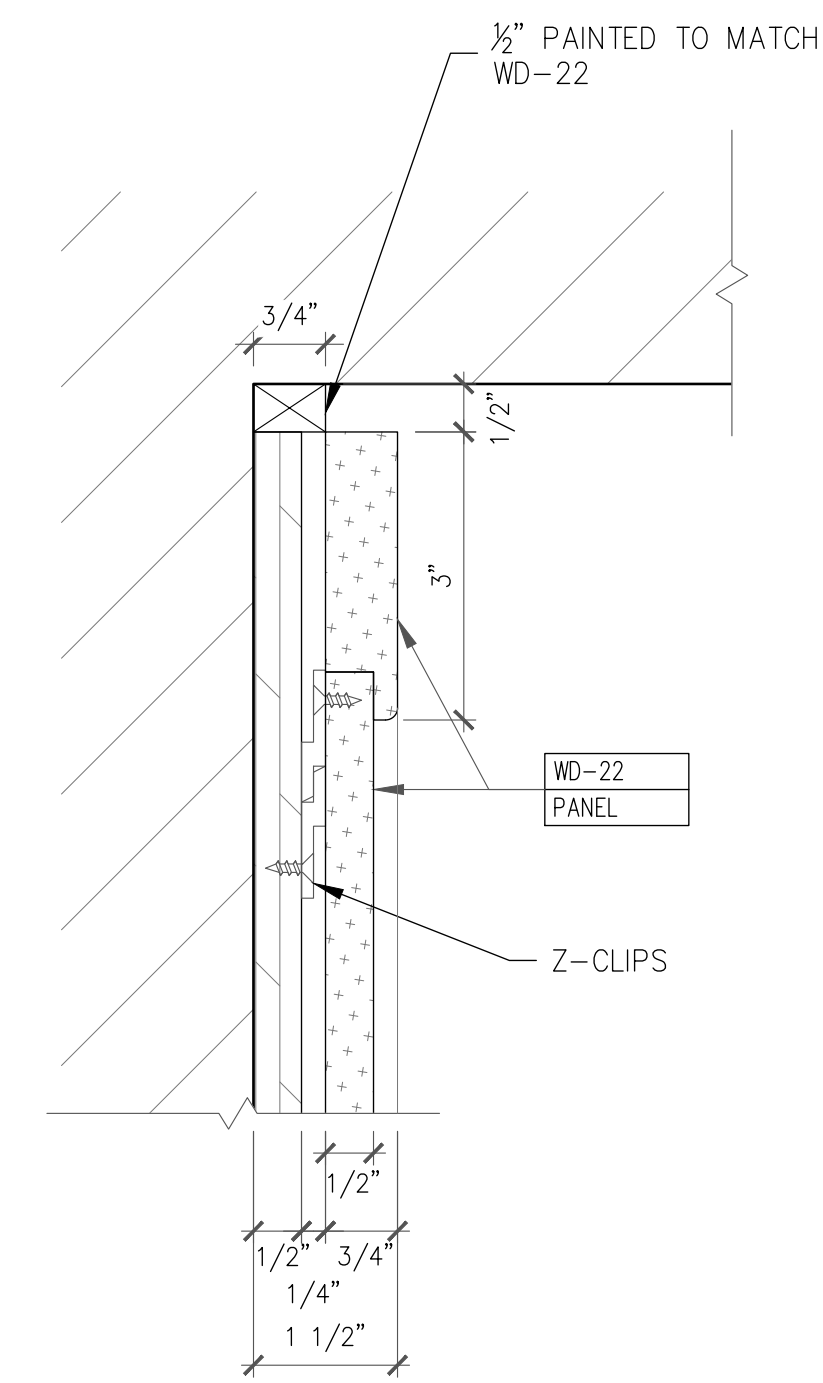
6 TYPE E
REF: 16/ID-CH1-DR-2.04B SCALE: 1-1/2" = 1'-0"



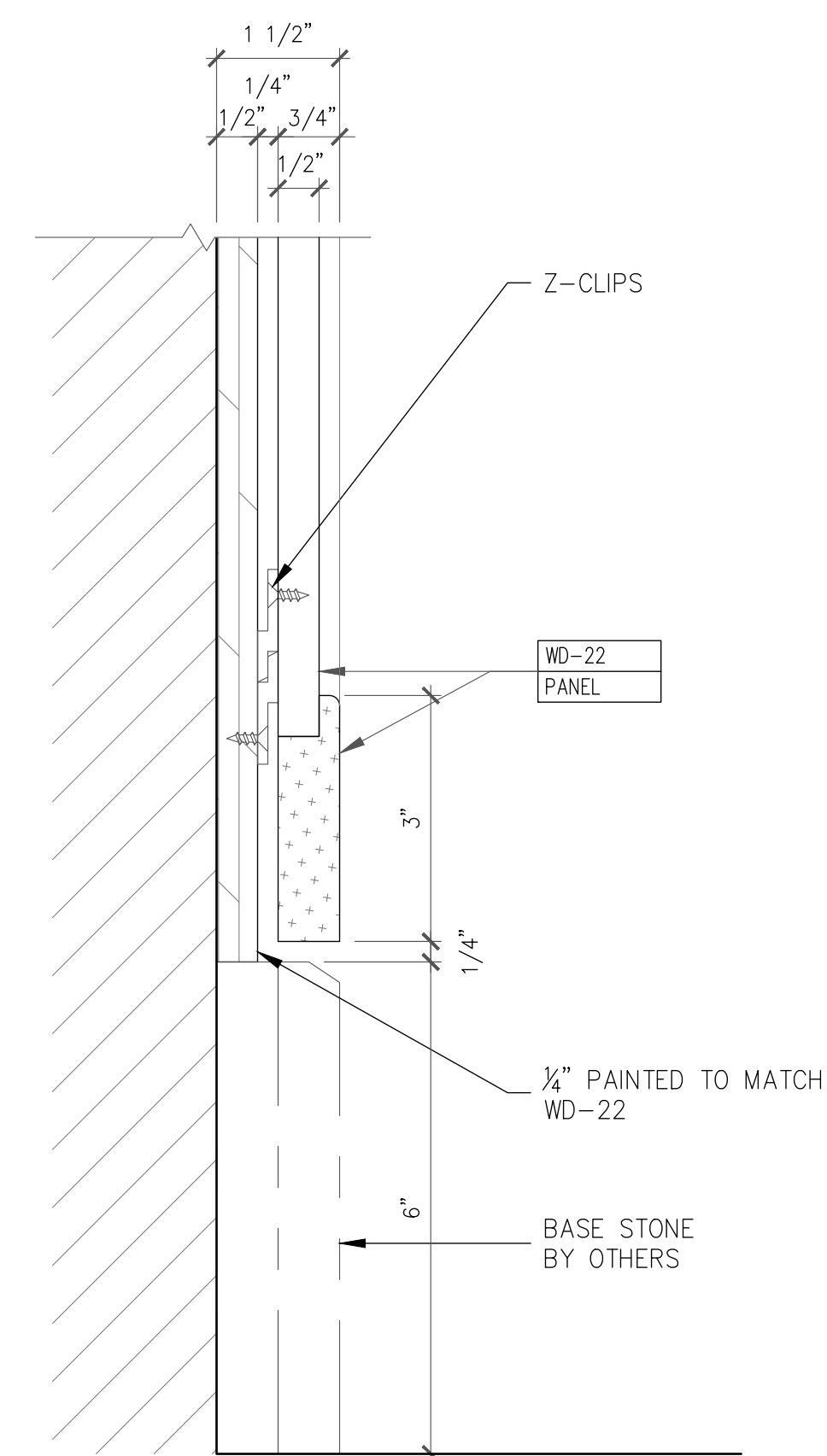
7 SECTION
REF: 13/ID-CH1-DT-2.04 SCALE: 1-1/2" = 1'-0"



8 SECTION
REF: NONE SCALE: 1-1/2" = 1'-0"



D1 DETAIL
REF: NONE SCALE: 6" = 1'-0"



D2 DETAIL
REF: NONE SCALE: 6" = 1'-0"

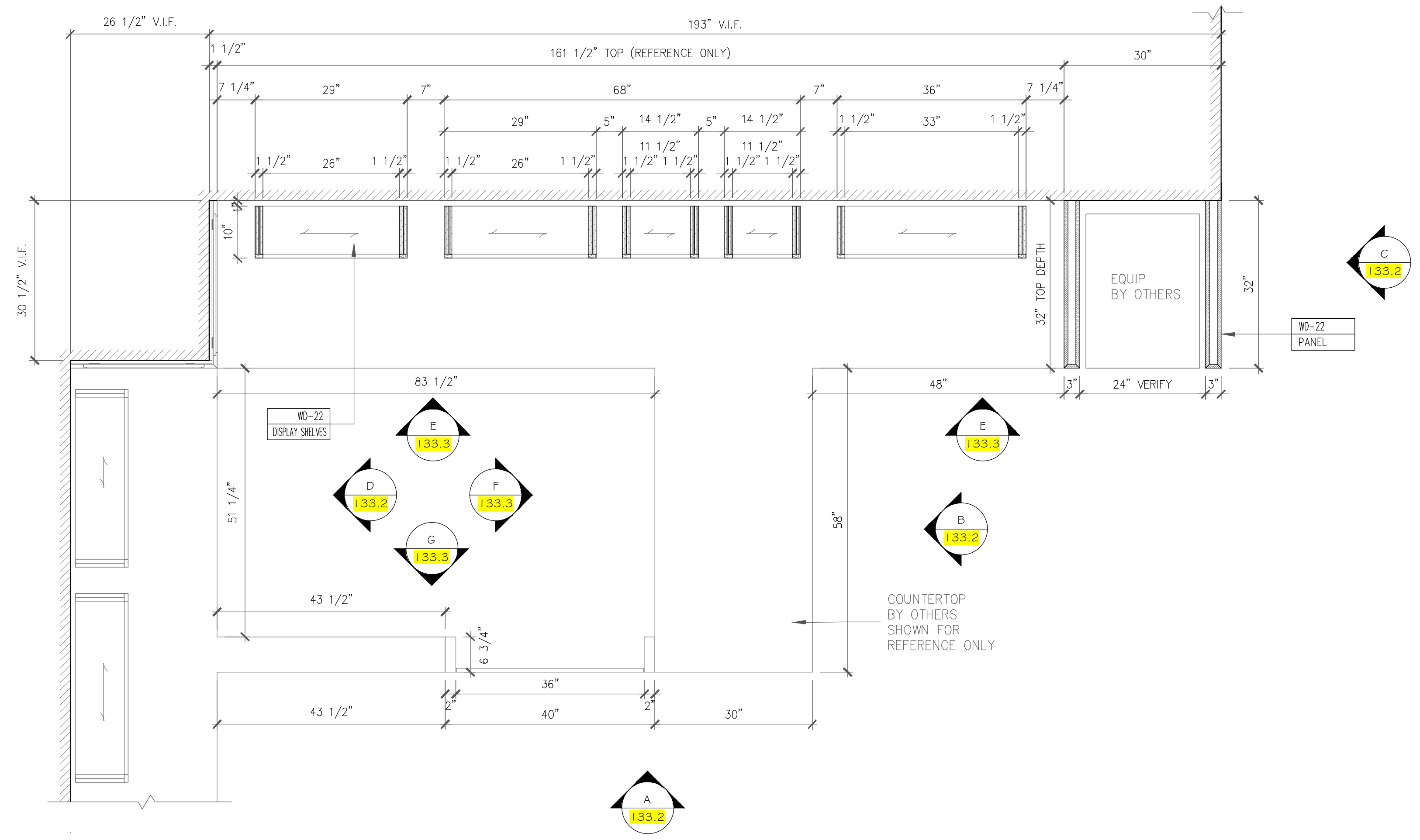
REVISIONS	BY

PROJECT
MAUI BAY VILLAS

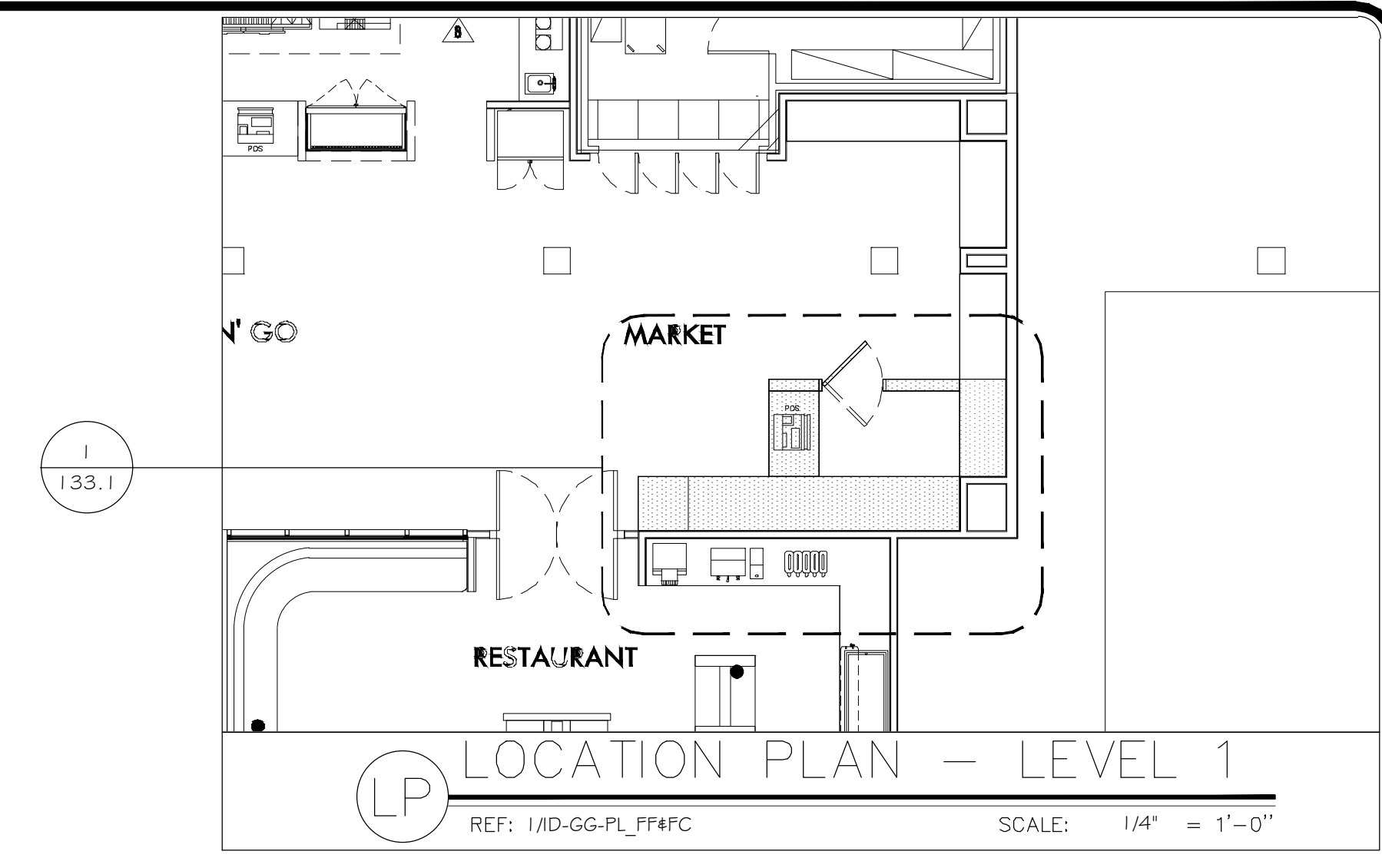
ITEM
LEVEL 1
EAST SERVICE COUNTER
MARKET

LOCATION
KIHEI, MAUI, HAWAII

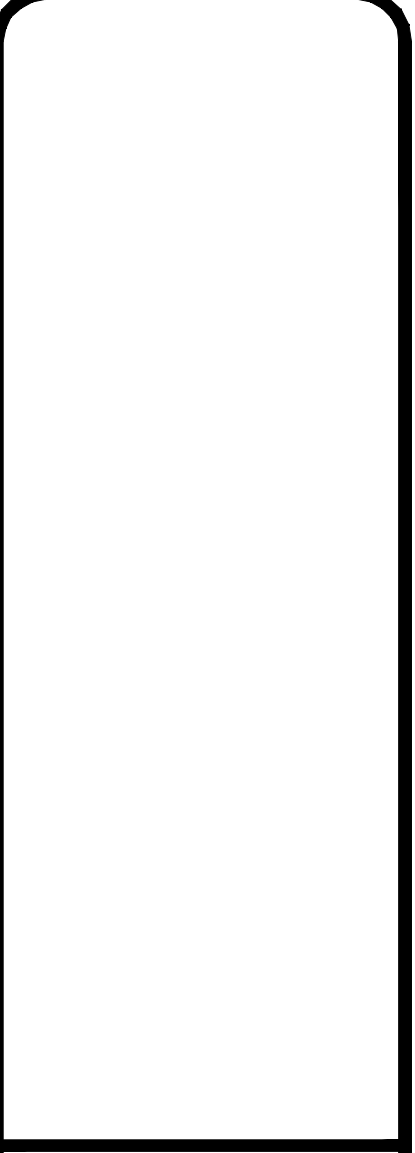
DRAWN	HD
CHECKED	RT
DATE	10/10/2019
SCALE	AS NOTED
AS NOTED	JOB NO.
2129	SHEET
132.3	1 of 2



1 PLAN SECTION: POS STATION
 REF: 1/MD-CHI-DT-2.02 SCALE: 3/4" = 1'-0"



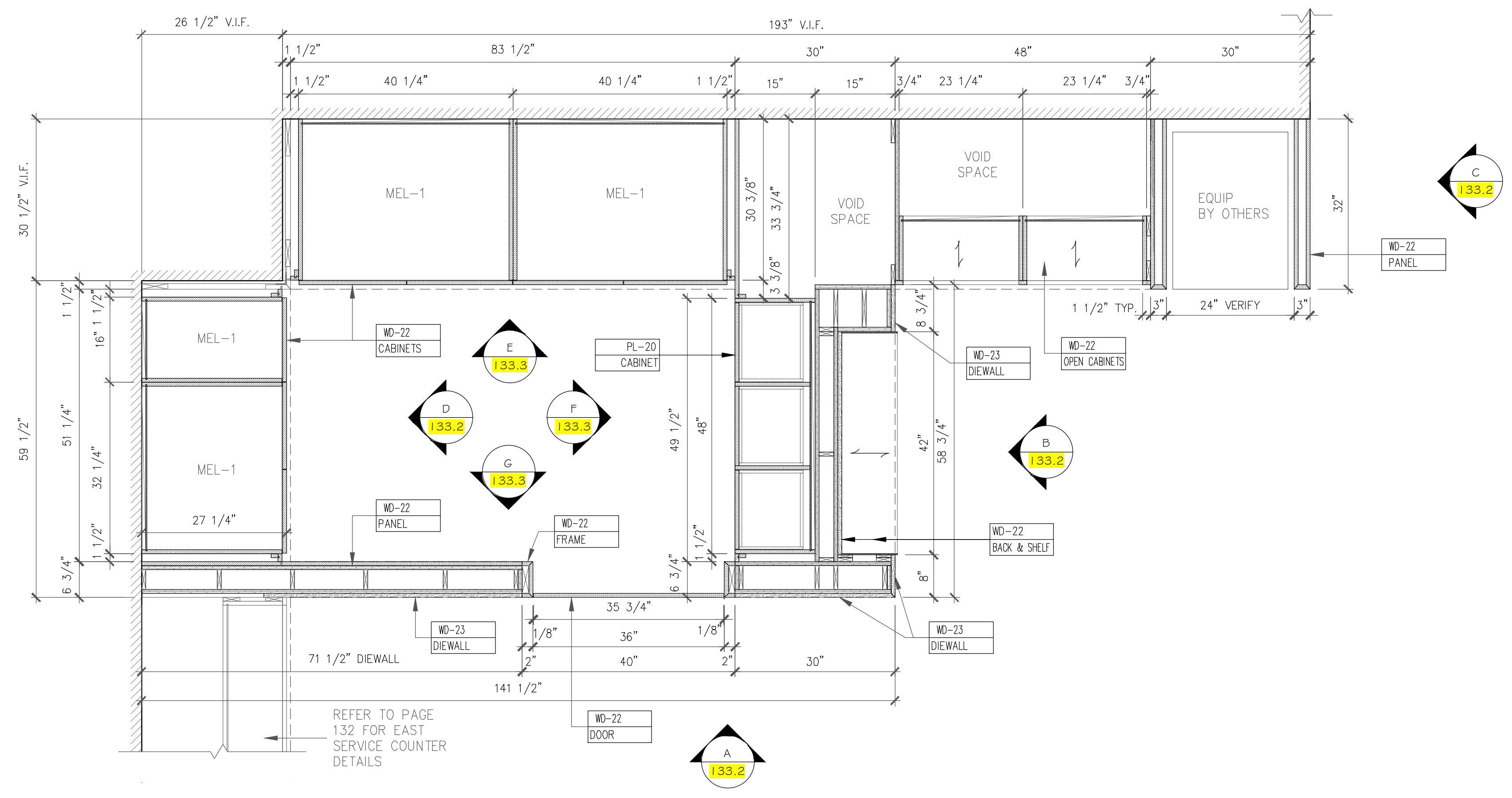
REVISIONS	BY



LEVEL 1
 POS STATION
 MARKET

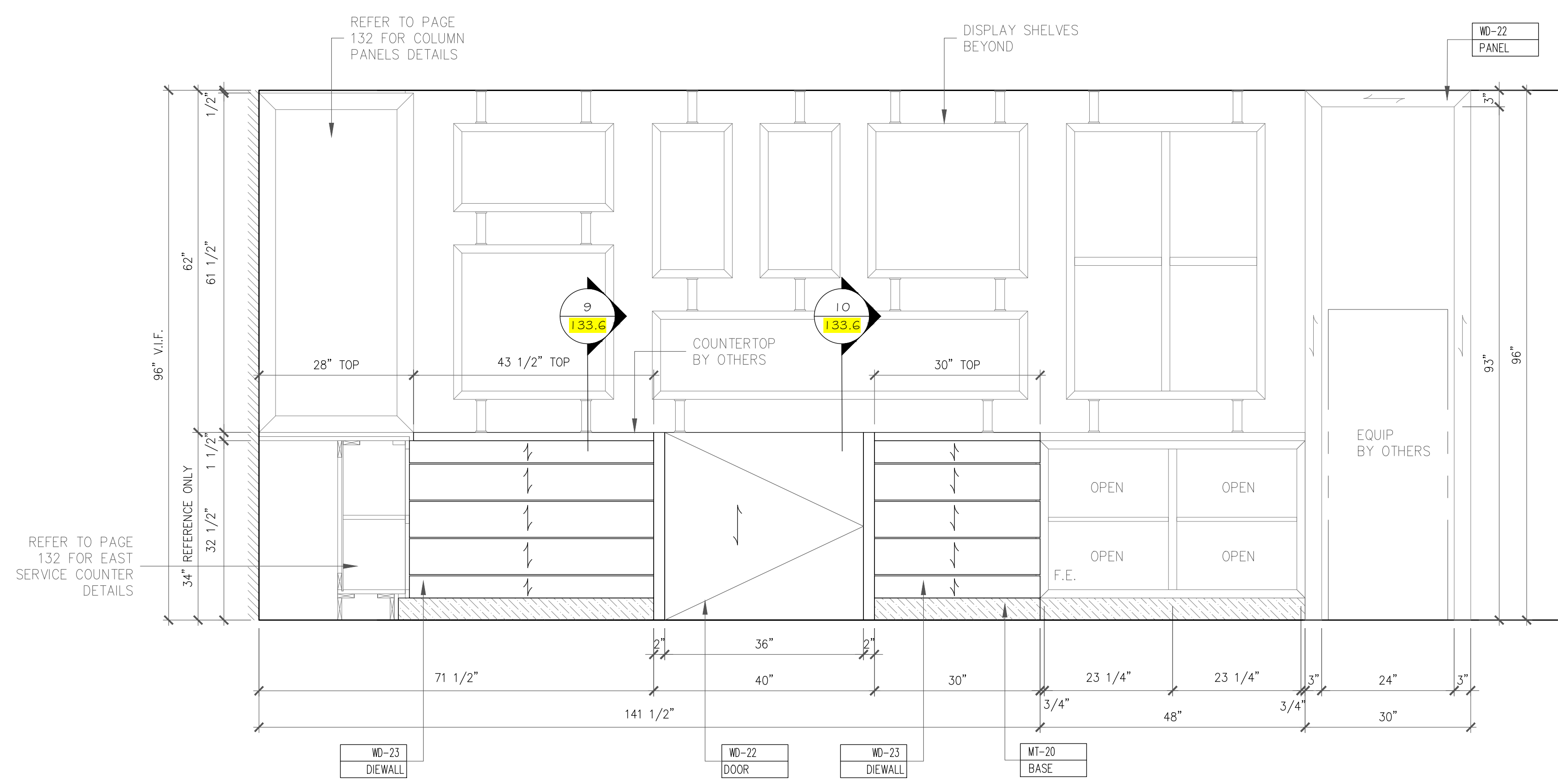
PROJECT
MAUI BAY VILLAS
 LOCATION
KIHEI, MAUI, HAWAII

DRAWN	HD
CHECKED	RT
DATE	10/10/2019
SCALE	AS NOTED
JOB NO.	2129
SHEET	133.1
1 of 2	

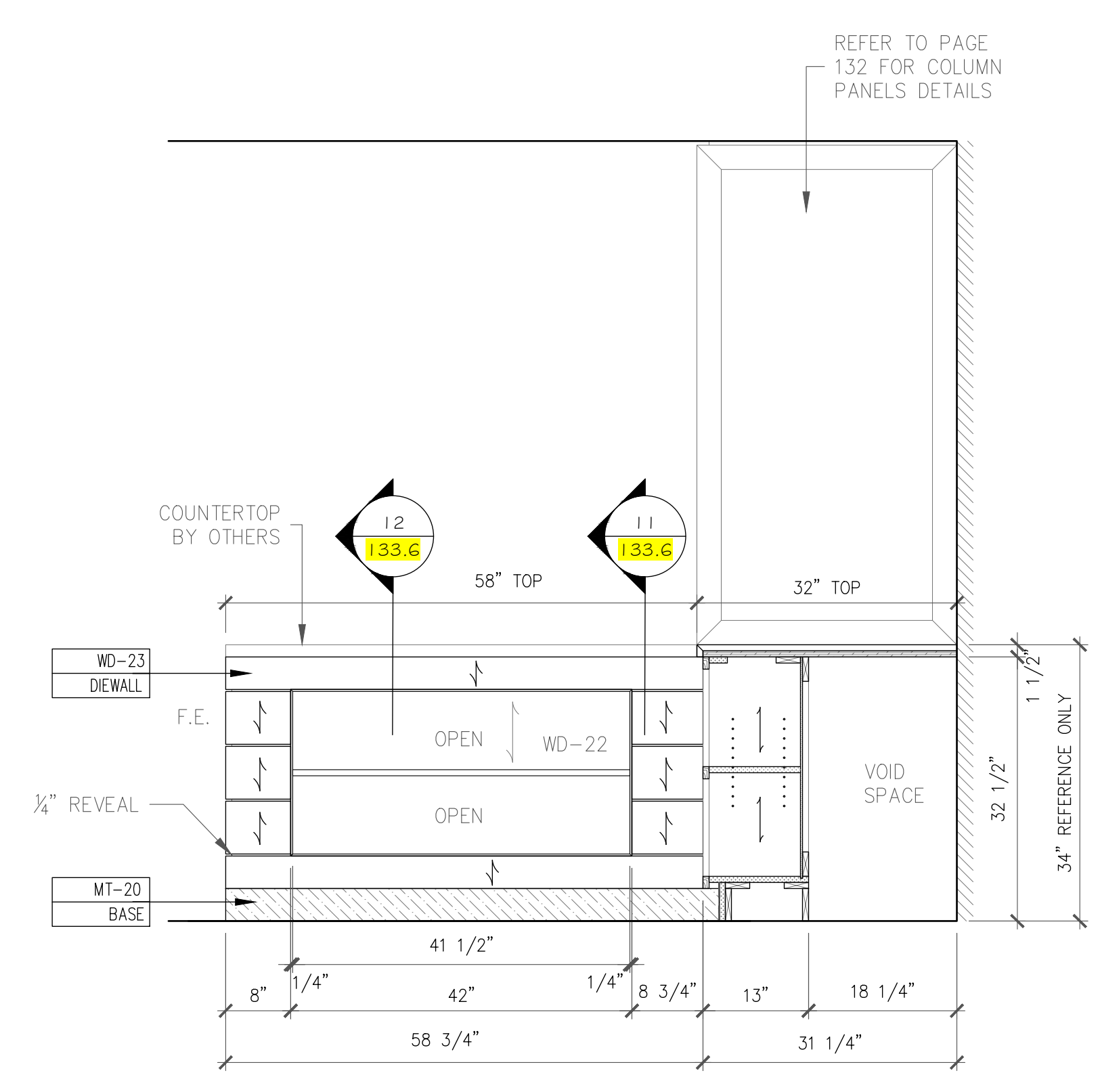


2 PLAN SECTION: POS STATION
 REF: 2/MD-CHI-DT-2.02 SCALE: 3/4" = 1'-0"

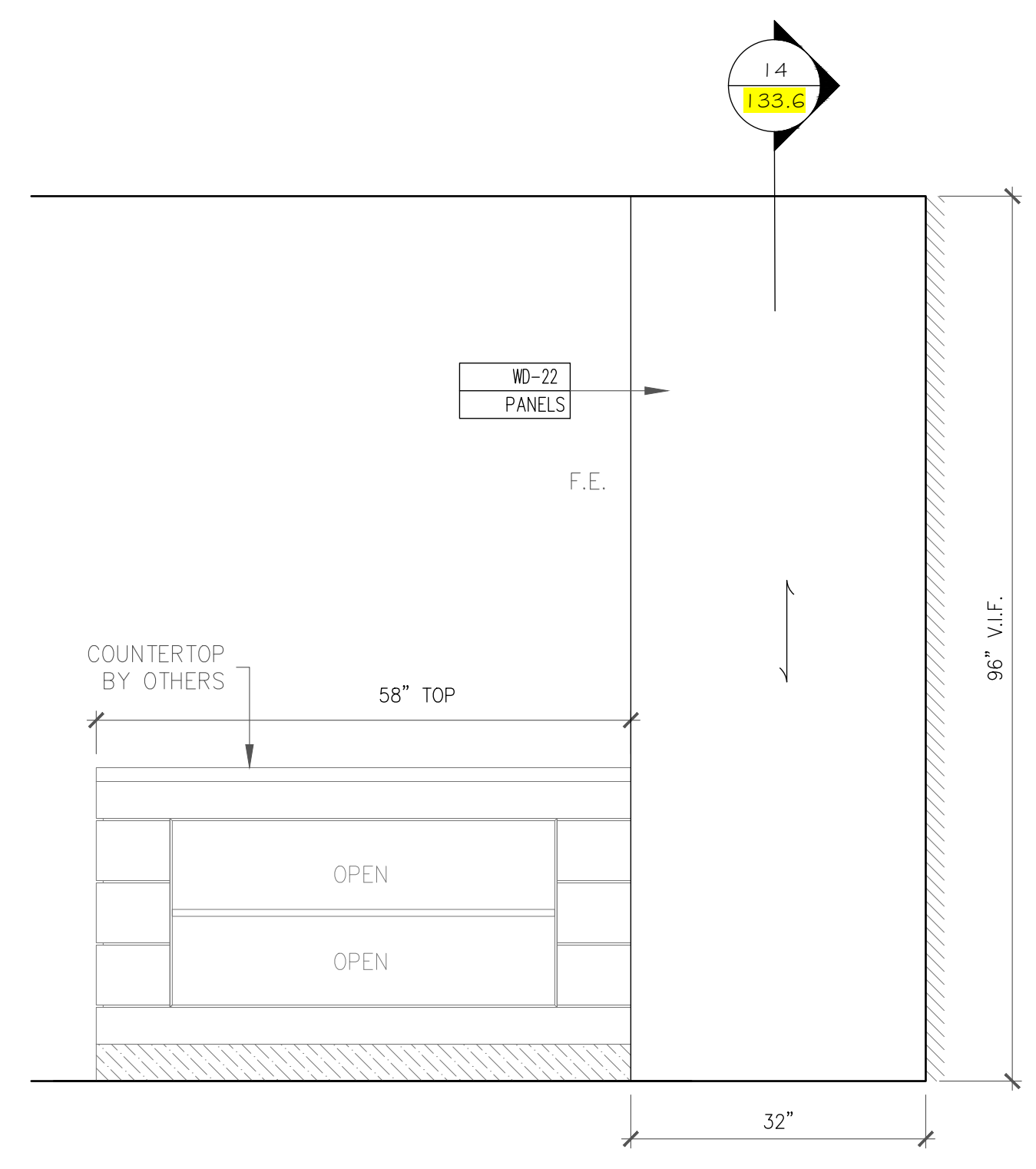
REVISIONS	BY



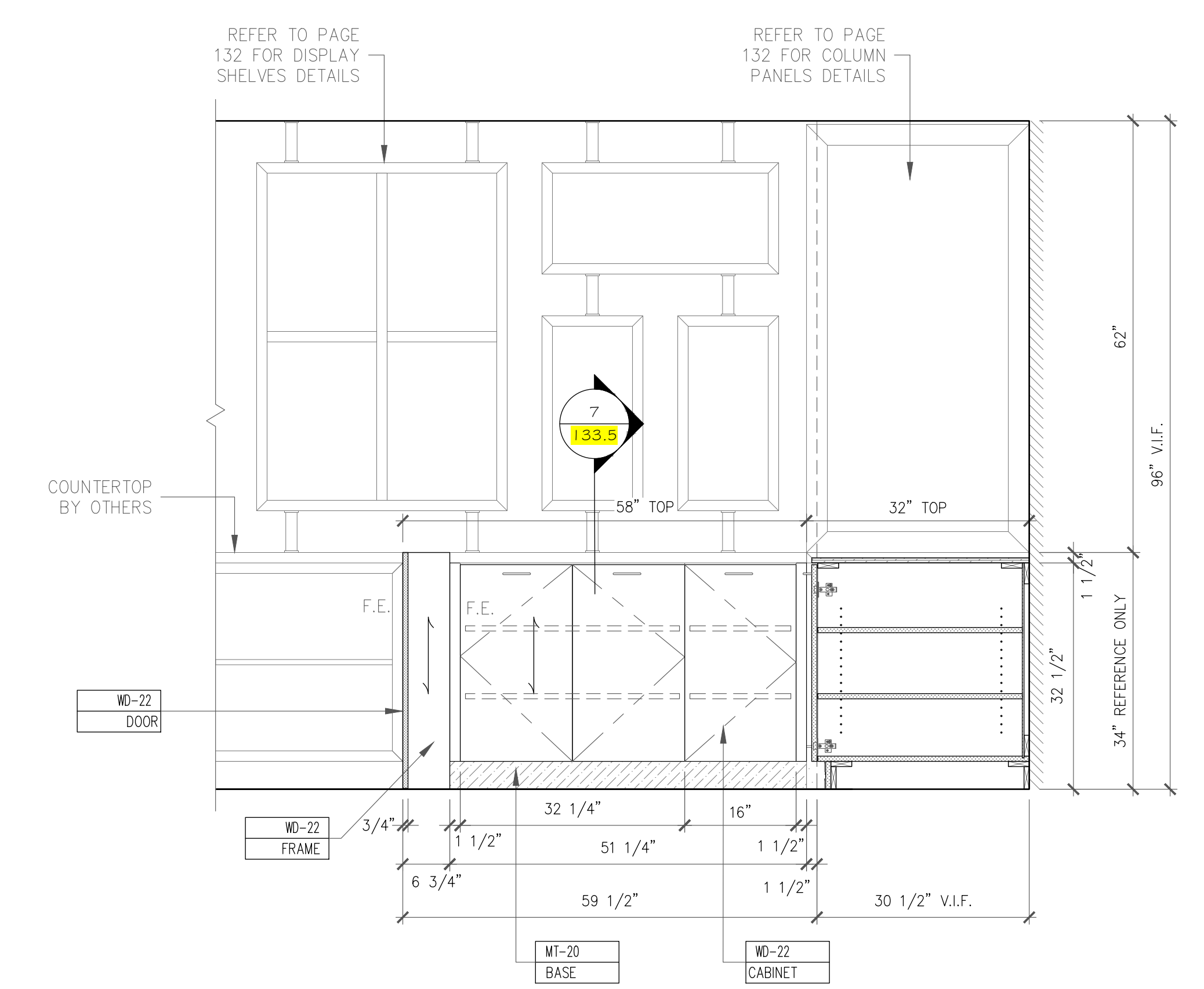
A ELEVATION: POS STATION
 REF: 5B/ID-CH1-DT-2.02 SCALE: 3/4" = 1'-0"



B ELEVATION: POS STATION
 REF: 4B/ID-CH1-DT-2.02 SCALE: 3/4" = 1'-0"



C ELEVATION: POS STATION
 REF: 4B/ID-CH1-DT-2.02 SCALE: 3/4" = 1'-0"



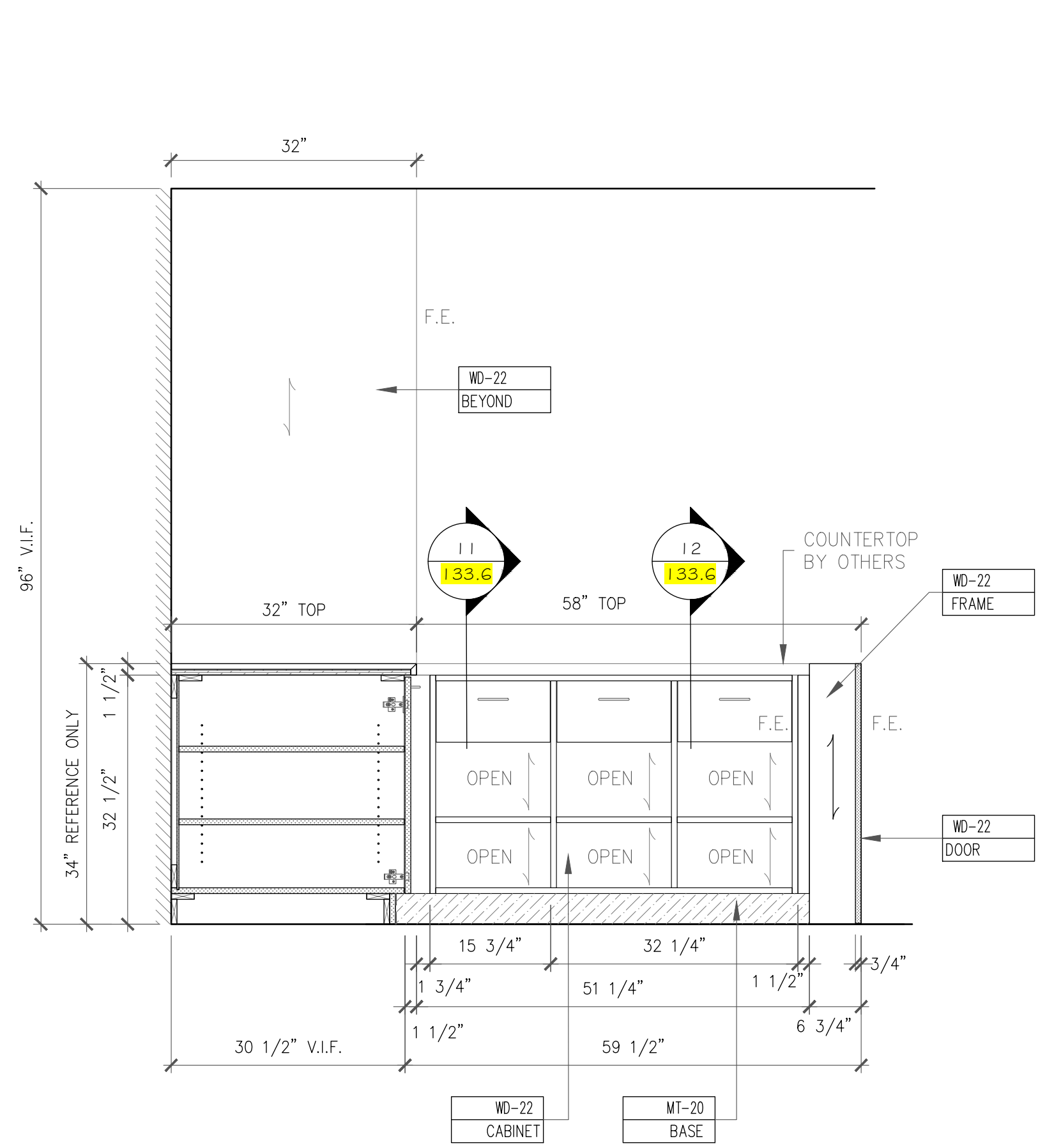
D ELEVATION: POS STATION
 REF: 4B/ID-CH1-DT-2.02 SCALE: 3/4" = 1'-0"

PROJECT
MAUI BAY VILLAS

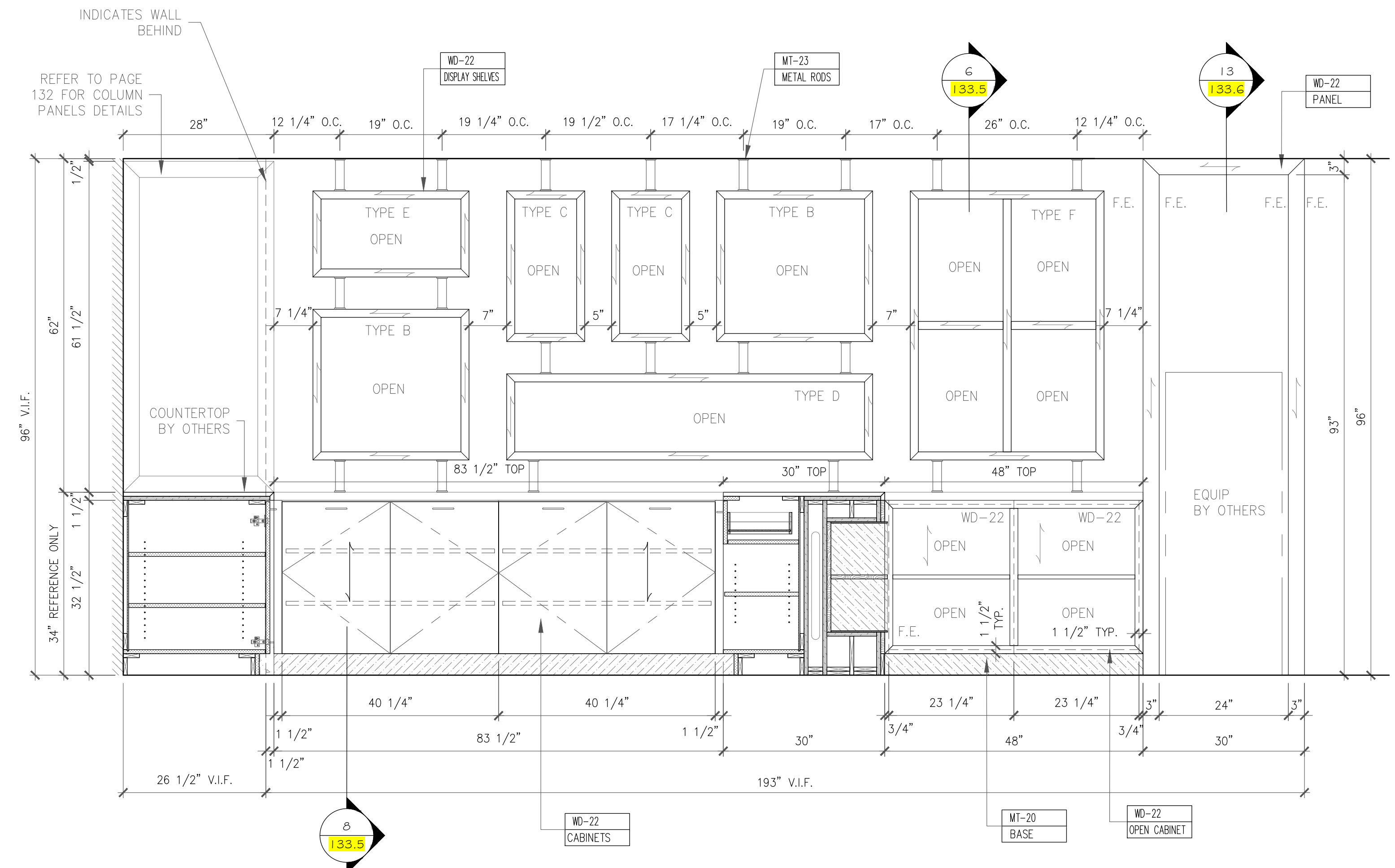
ITEM
 LEVEL 1
 POS STATION
 MARKET

LOCATION
KIHEI, MAUI, HAWAII

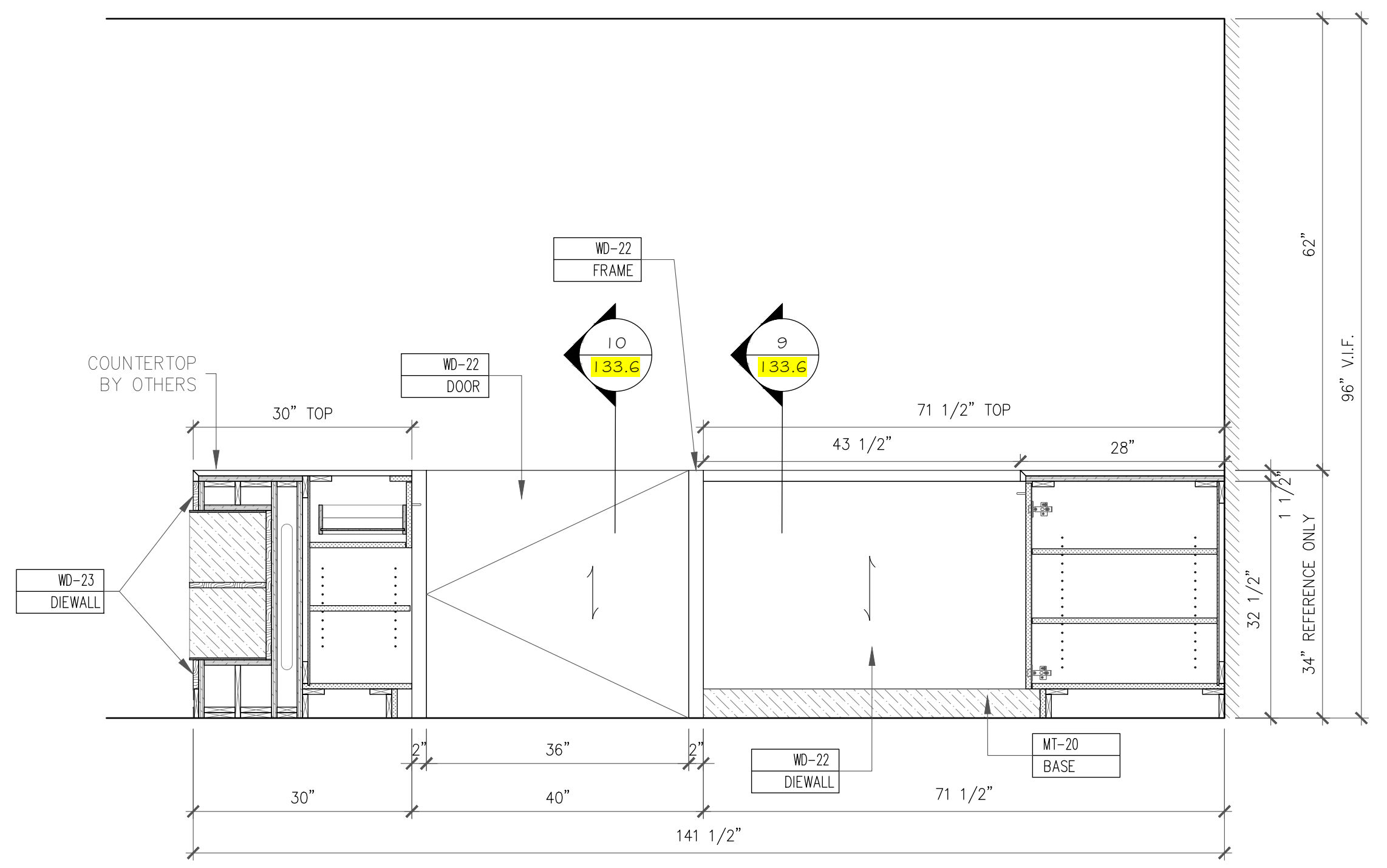
DRAWN	HD
CHECKED	RT
DATE	10/10/2019
SCALE	AS NOTED
JOB NO.	2129
SHEET	133.2
1 of 2	



E ELEVATION: POS STATION
 REF: 6/ID-CHI-DT-2.02 SCALE: 3/4" = 1'-0"

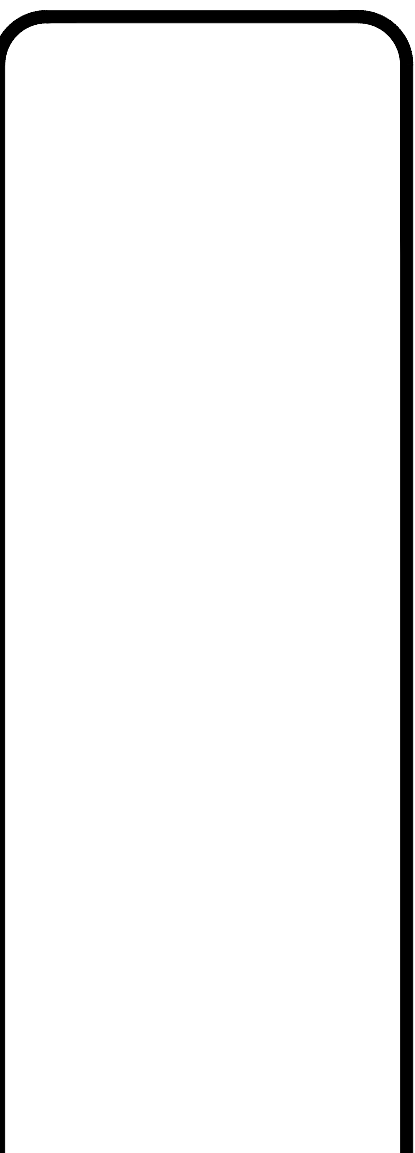


F ELEVATION: POS STATION
 REF: 5B/ID-CHI-DT-2.02 SCALE: 3/4" = 1'-0"



G ELEVATION: POS STATION
 REF: 7/ID-CHI-DT-2.02 SCALE: 3/4" = 1'-0"

REVISIONS	BY

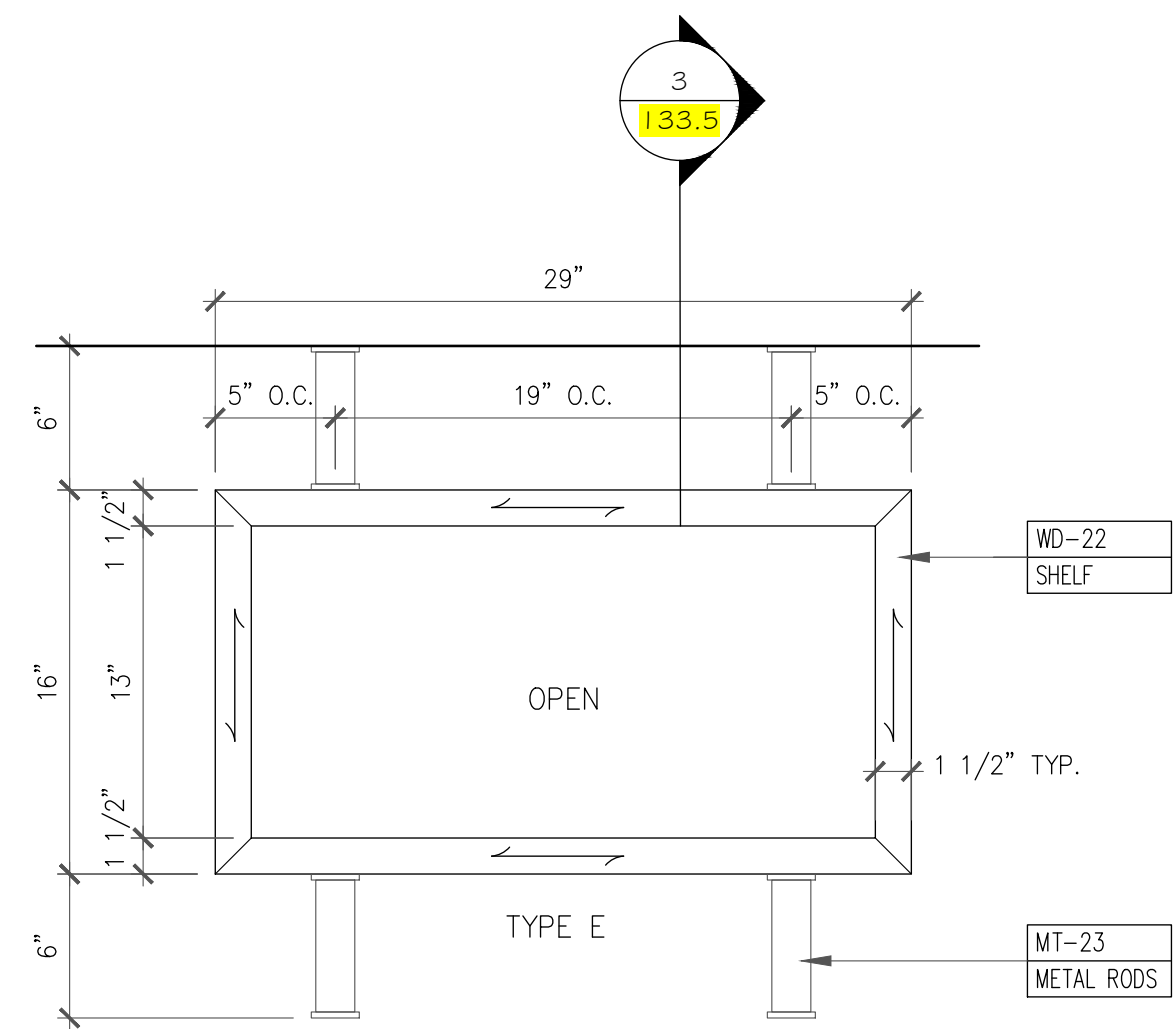


LEVEL 1
 POS STATION
 MARKET

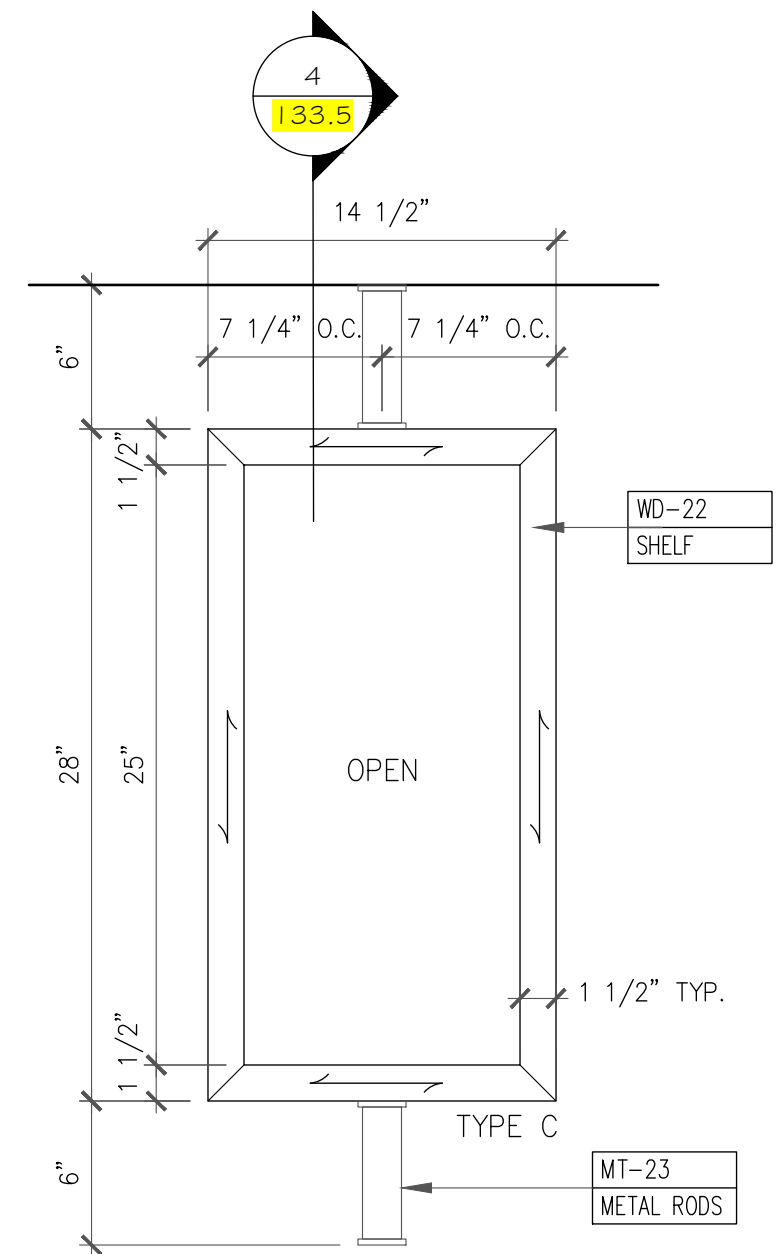
PROJECT: MAUI BAY VILLAS
 LOCATION: KIHAI, MAUI, HAWAII

DRAWN	HD
CHECKED	RT
DATE	10/10/2019
SCALE	AS NOTED
JOB NO.	2129
SHEET	133.3
1 of 2	

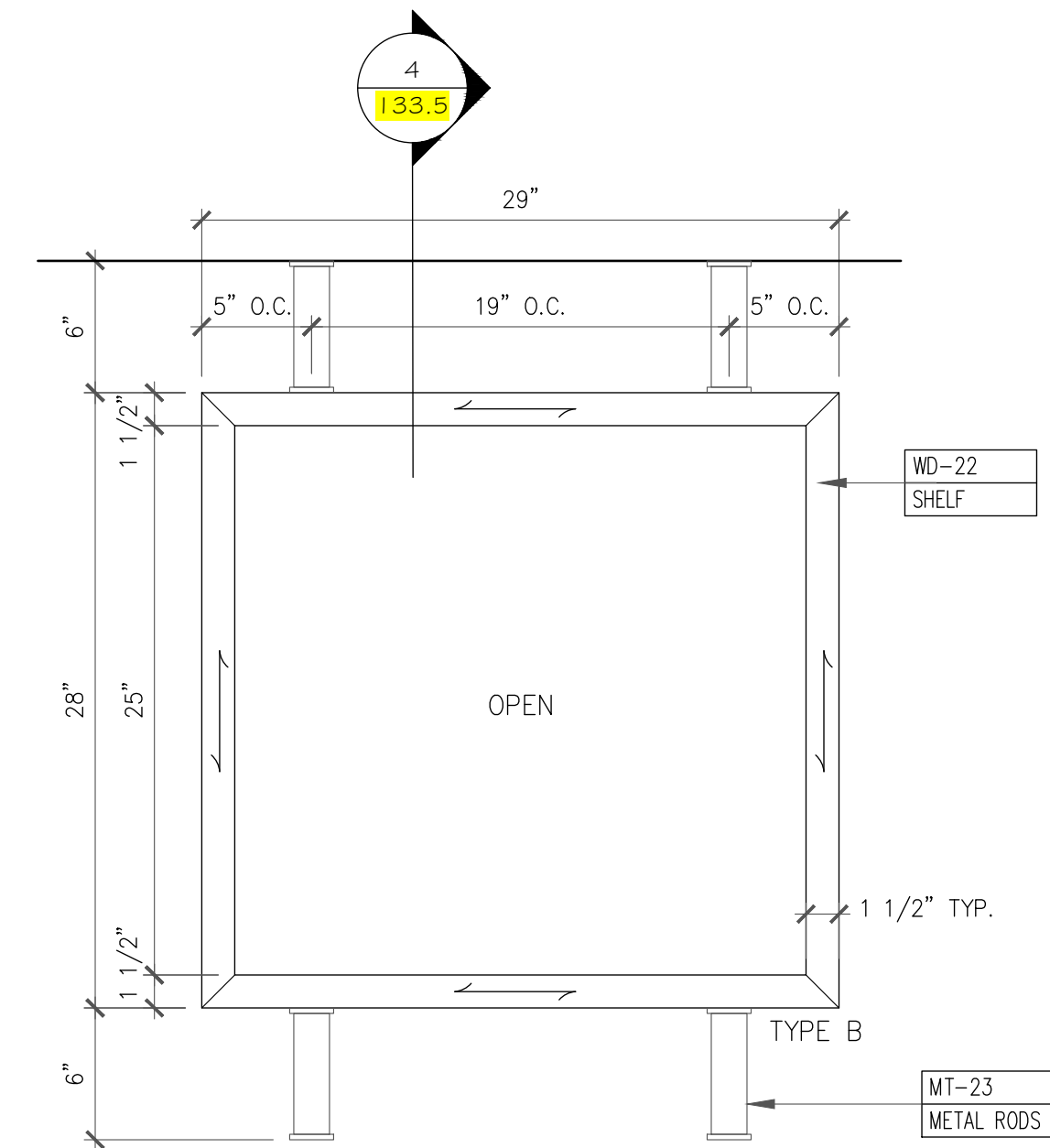
REVISIONS	BY



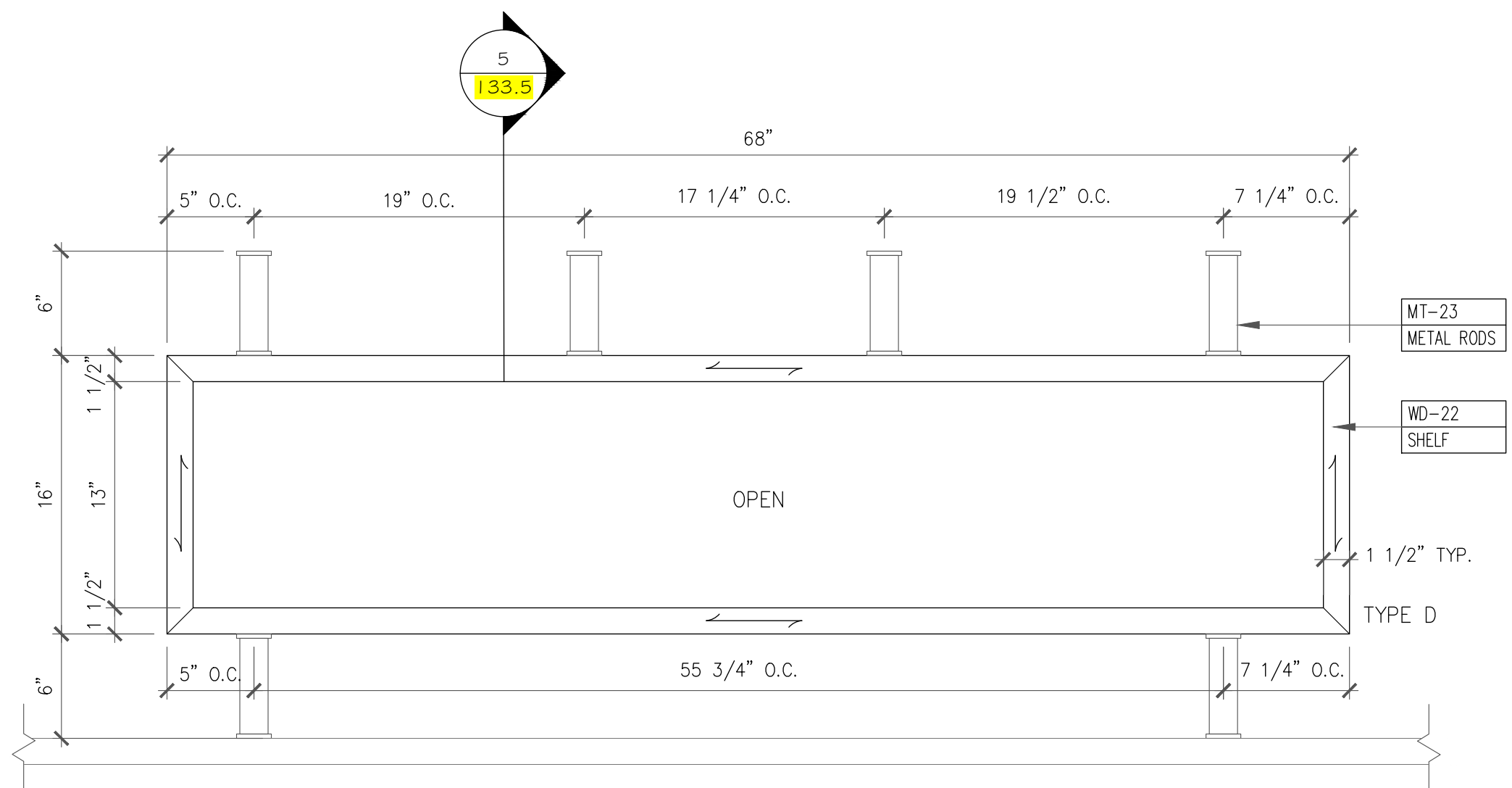
H TYPE E
REF: 12/ID-CH1-DT-2.04B SCALE: 1-1/2" = 1'-0"



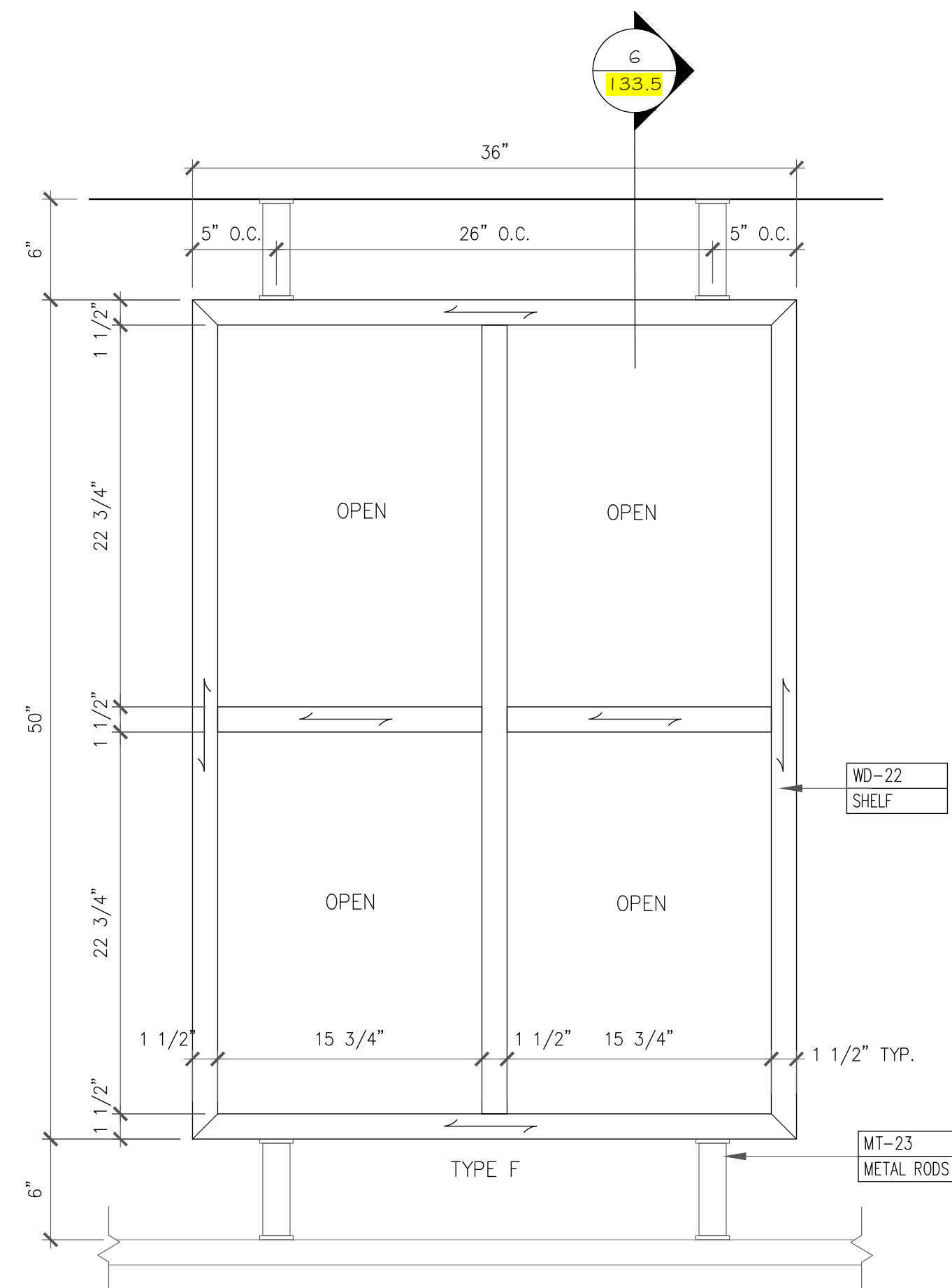
I TYPE C
REF: 10/ID-CH1-DT-2.04B SCALE: 1-1/2" = 1'-0"



J TYPE B
REF: 9/ID-CH1-DT-2.04B SCALE: 1-1/2" = 1'-0"



K TYPE D
REF: 8/ID-CH1-DT-2.04B SCALE: 1-1/2" = 1'-0"



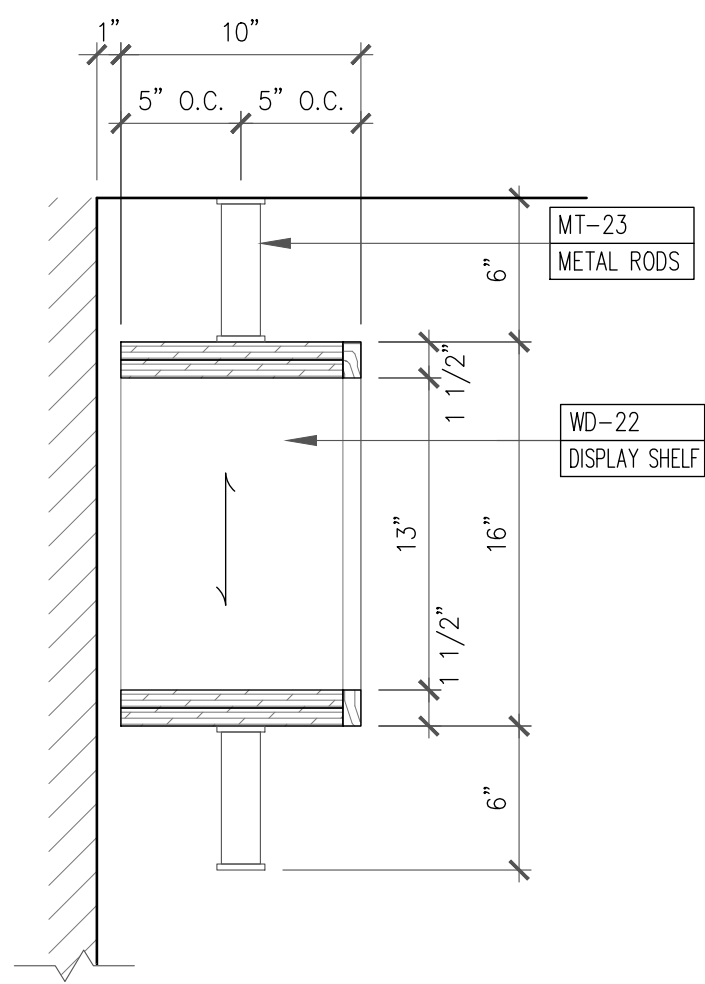
L TYPE F
REF: 13/ID-CH1-DT-2.04B SCALE: 1-1/2" = 1'-0"

PROJECT
MAUI BAY VILLAS

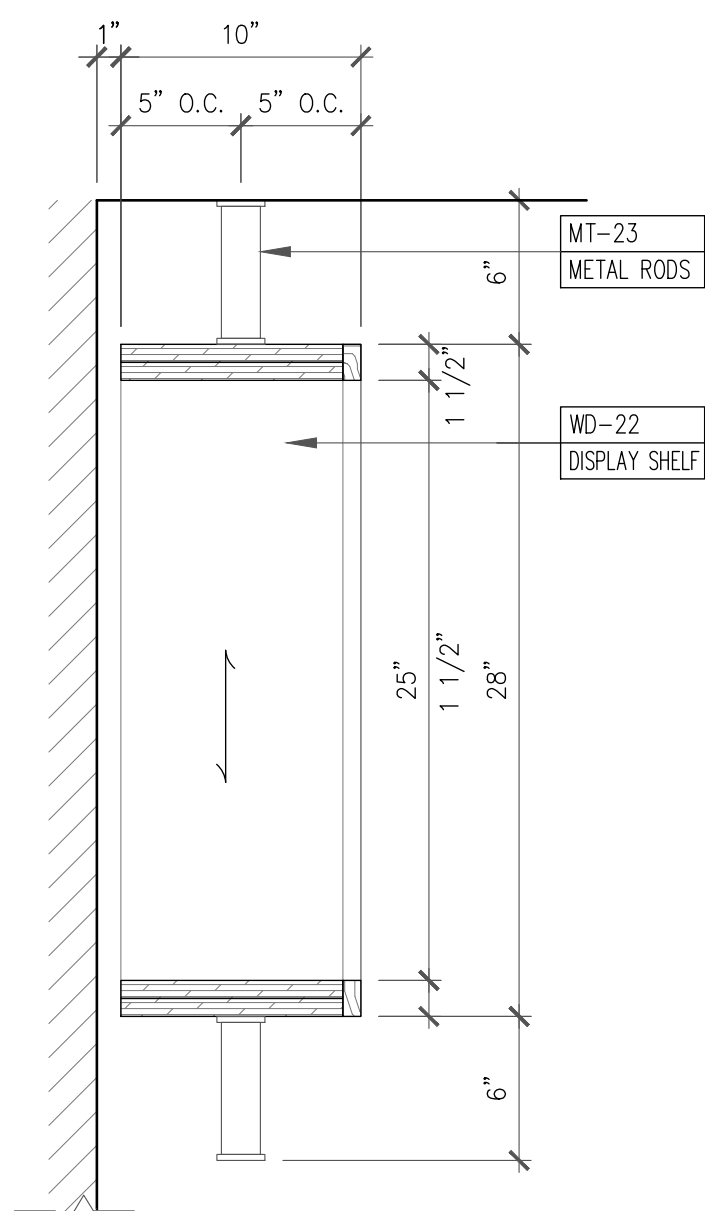
LOCATION
KIHEI, MAUI, HAWAII

ITEM
LEVEL 1
POS STATION
MARKET

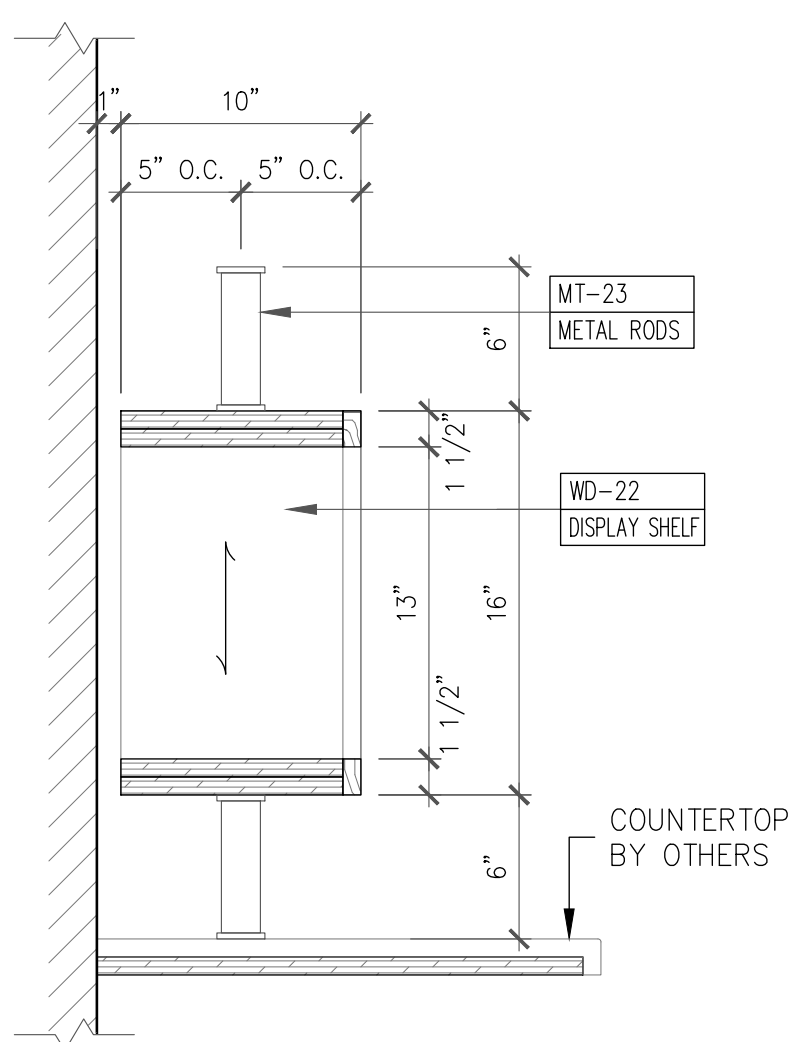
DRAWN	HD
CHECKED	RT
DATE	10/10/2019
SCALE	AS NOTED
JOB NO.	2129
SHEET	133.4
1 of 2	



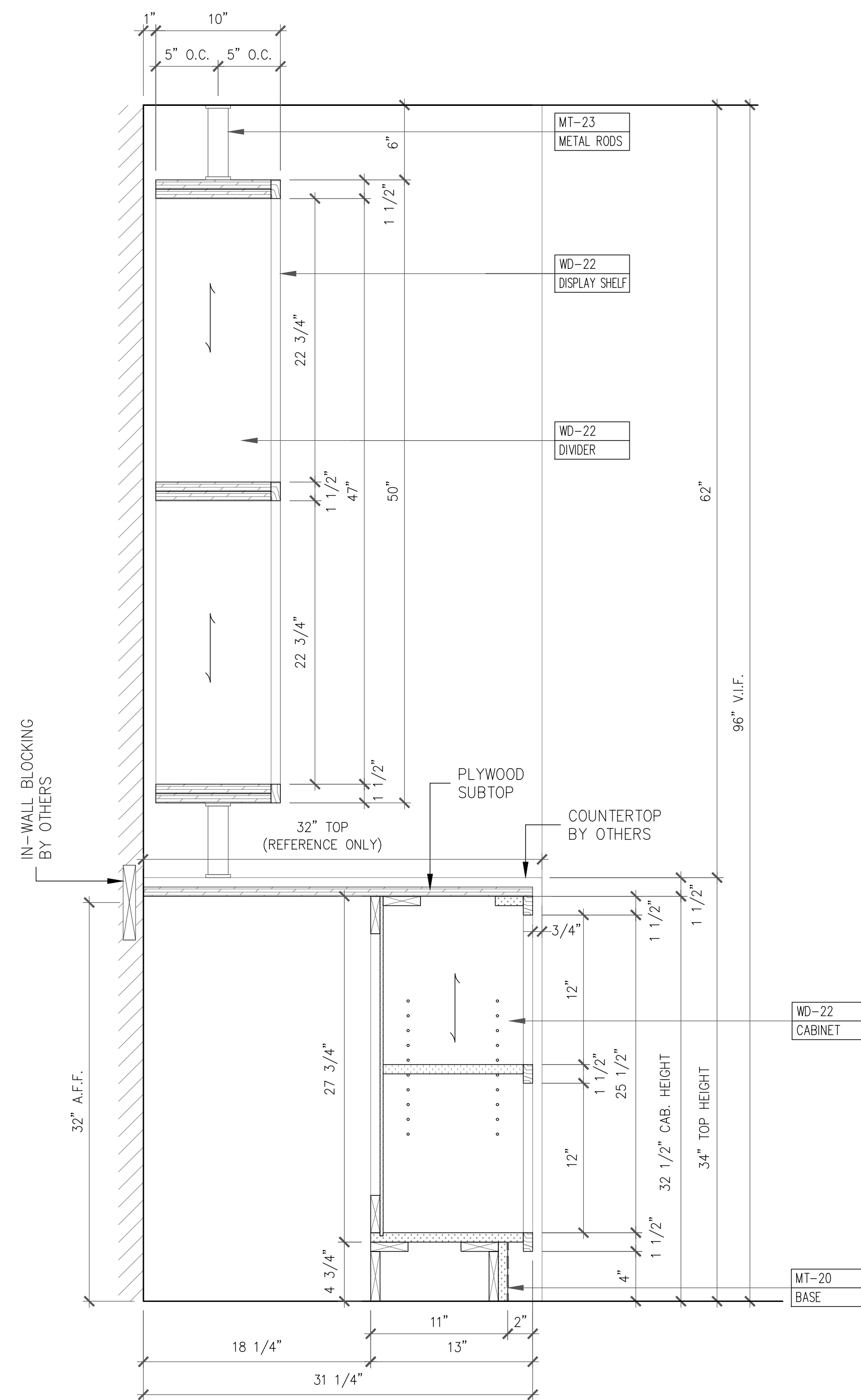
3 TYPE E
REF: NONE SCALE: 1-1/2" = 1'-0"



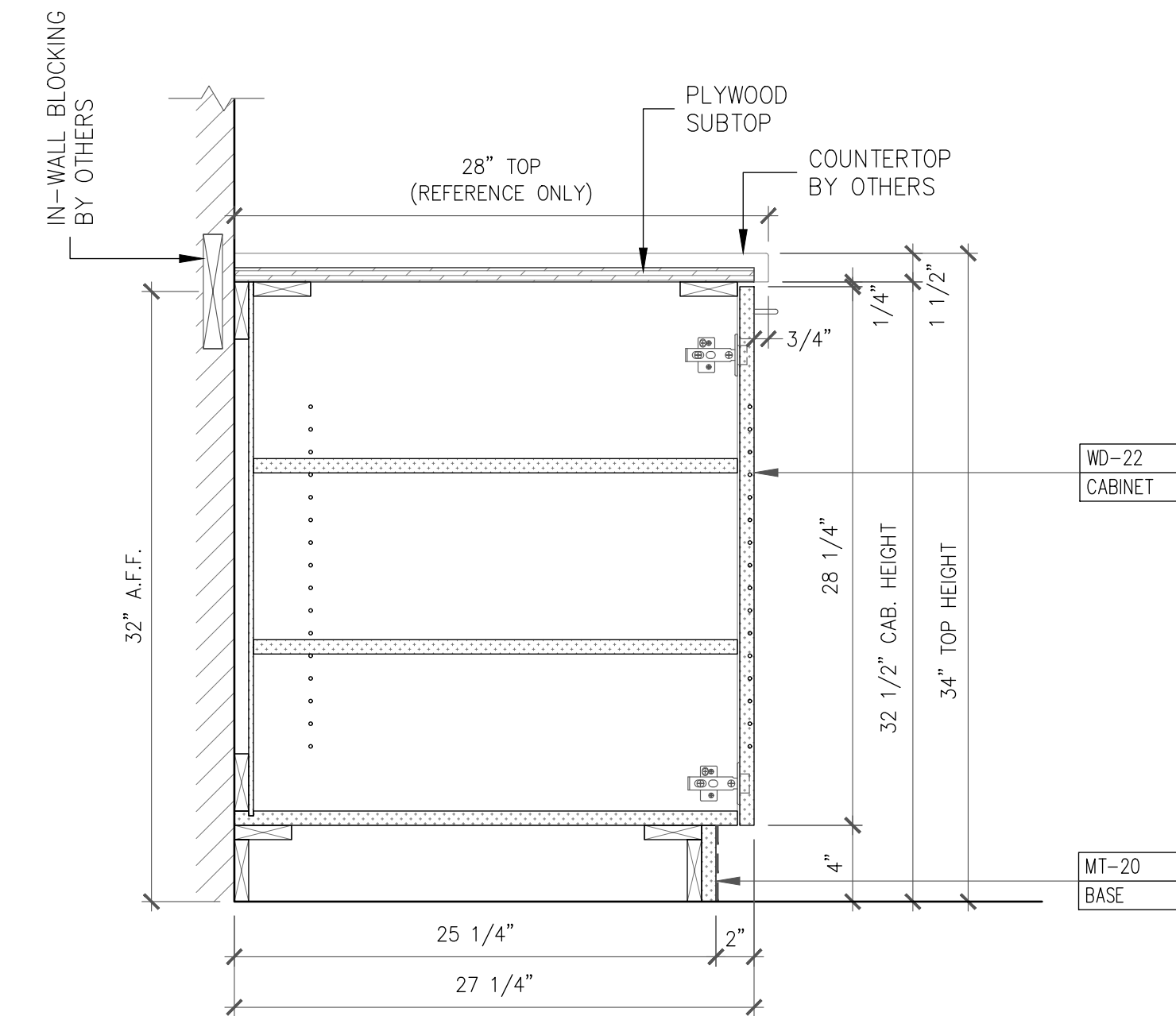
4 TYPE B & TYPE C
REF: 15/D-CH1-DR-2.04B SCALE: 1-1/2" = 1'-0"



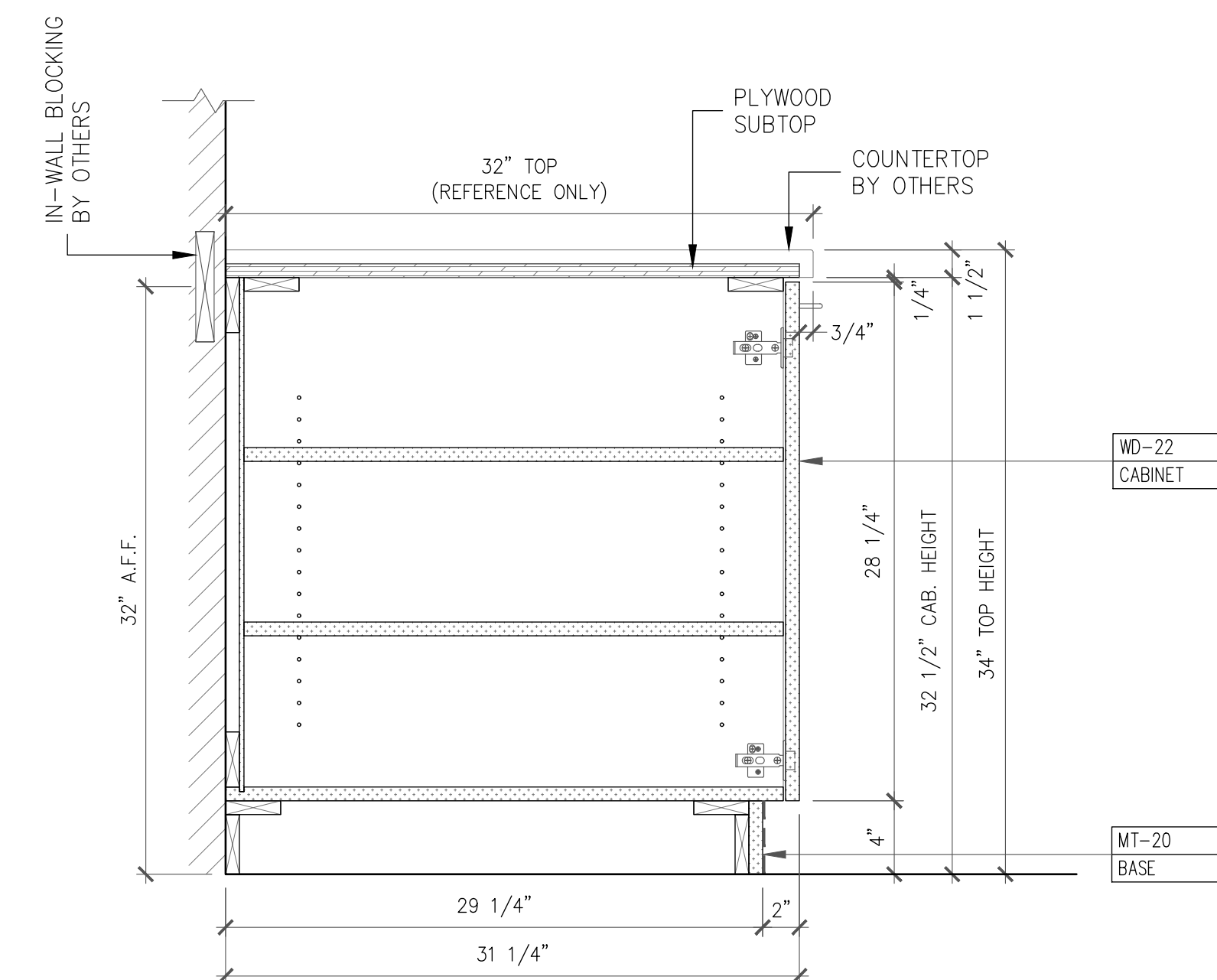
5 TYPE D
REF: NONE SCALE: 1-1/2" = 1'-0"



6 SECTION CAB & TYPE A SHELVING
REF: NONE SCALE: 1-1/2" = 1'-0"



7 SECTION CAB & TYPE A SHELVING
REF: 6/D-CH1-DT-2.04 SCALE: 1-1/2" = 1'-0"



8 SECTION CAB & TYPE A SHELVING
REF: 6/D-CH1-DT-2.04 SCALE: 1-1/2" = 1'-0"

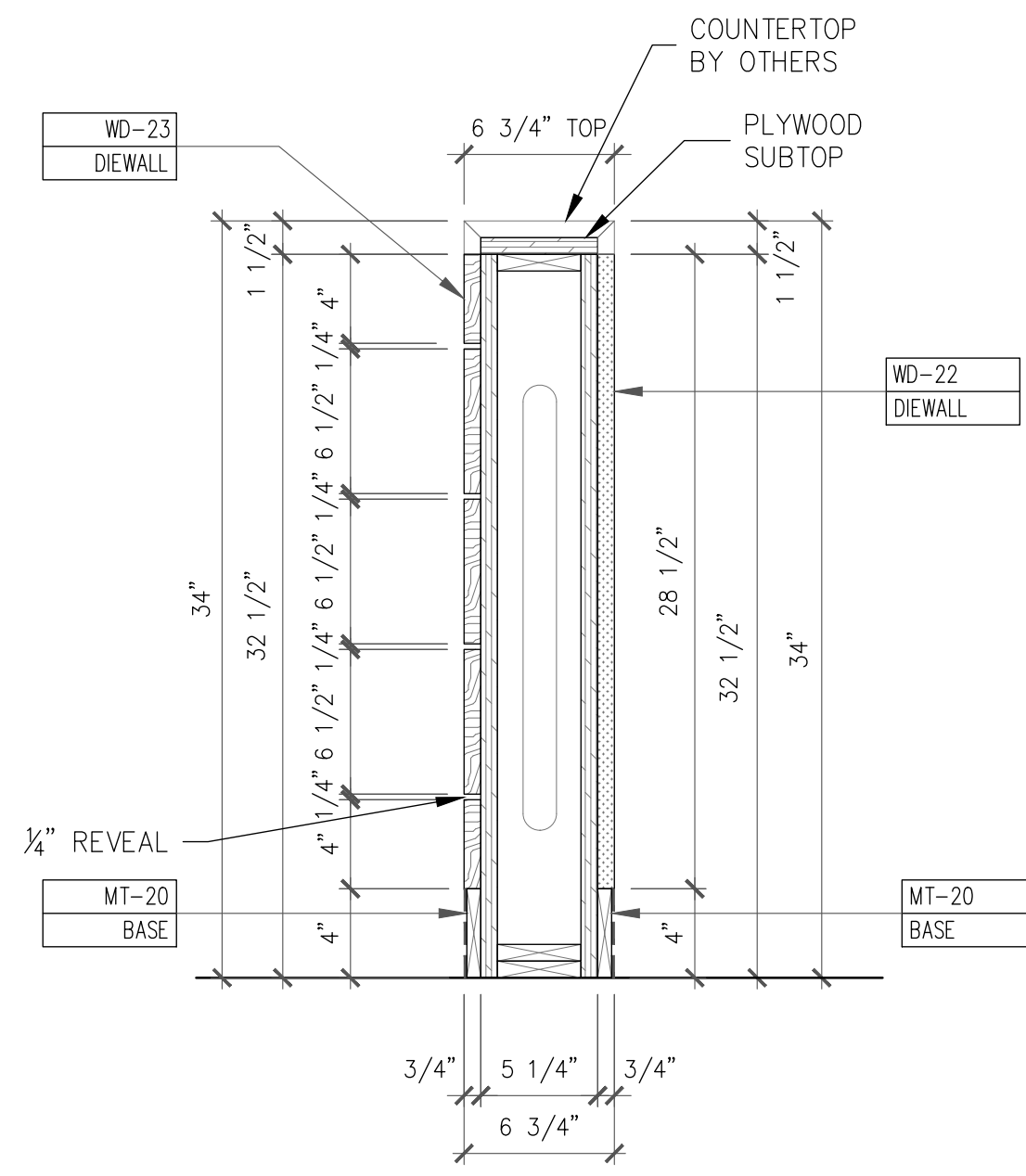
REVISIONS	BY

PROJECT
MAUI BAY VILLAS

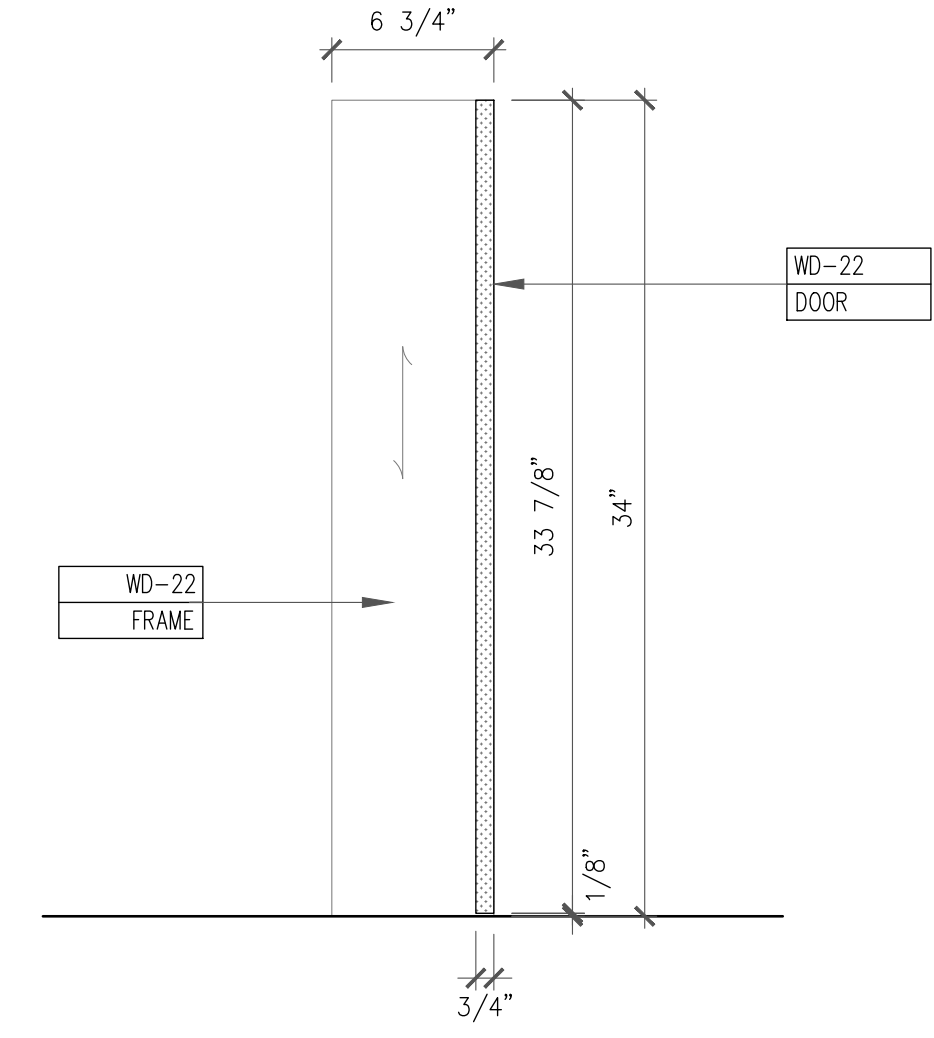
ITEM
LEVEL 1
POS STATION
MARKET

LOCATION
KIHEI, MAUI, HAWAII

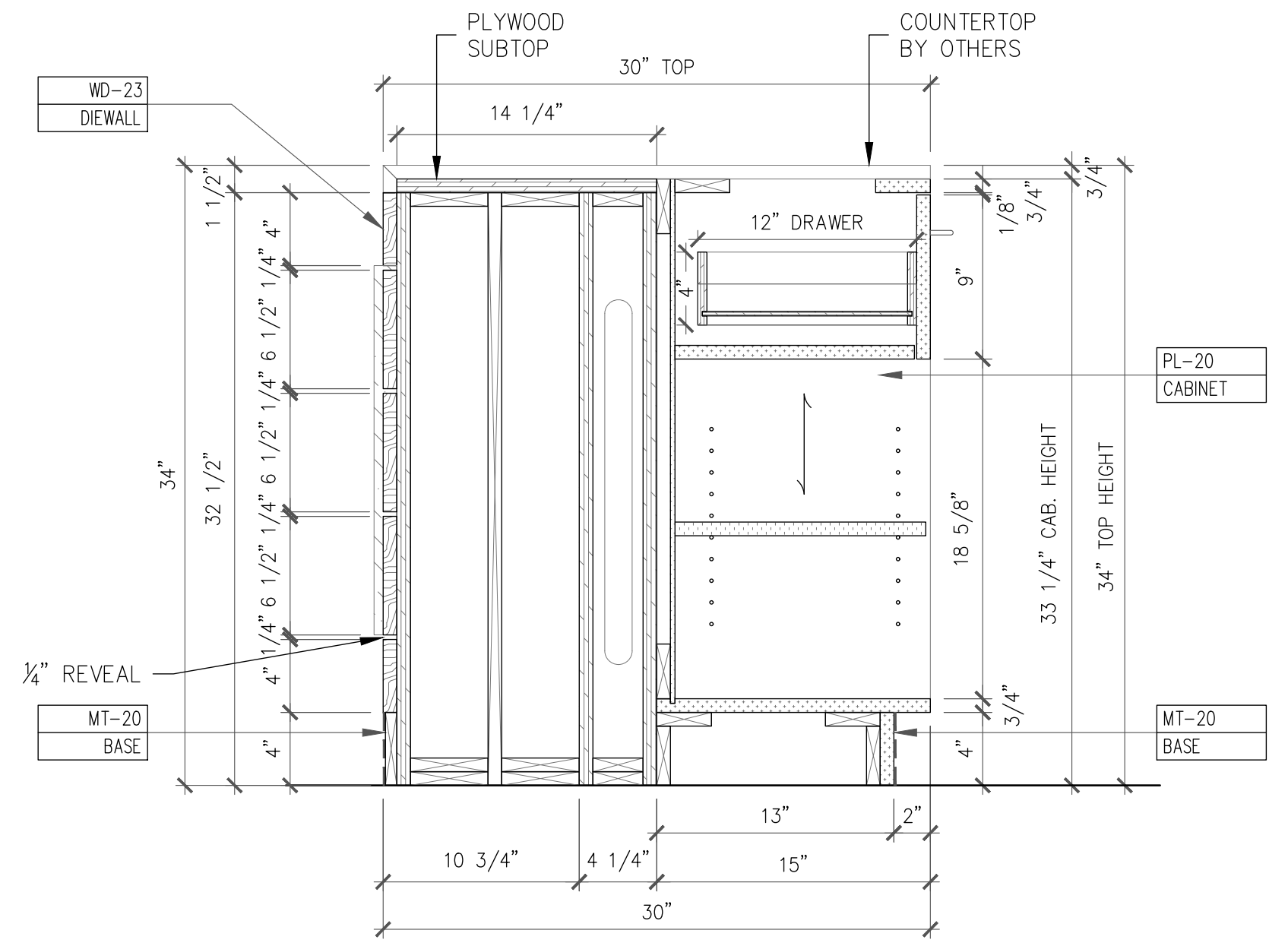
DRAWN	HD
CHECKED	RT
DATE	10/10/2019
SCALE	AS NOTED
JOB NO.	2129
SHEET	133.5
1 of 2	



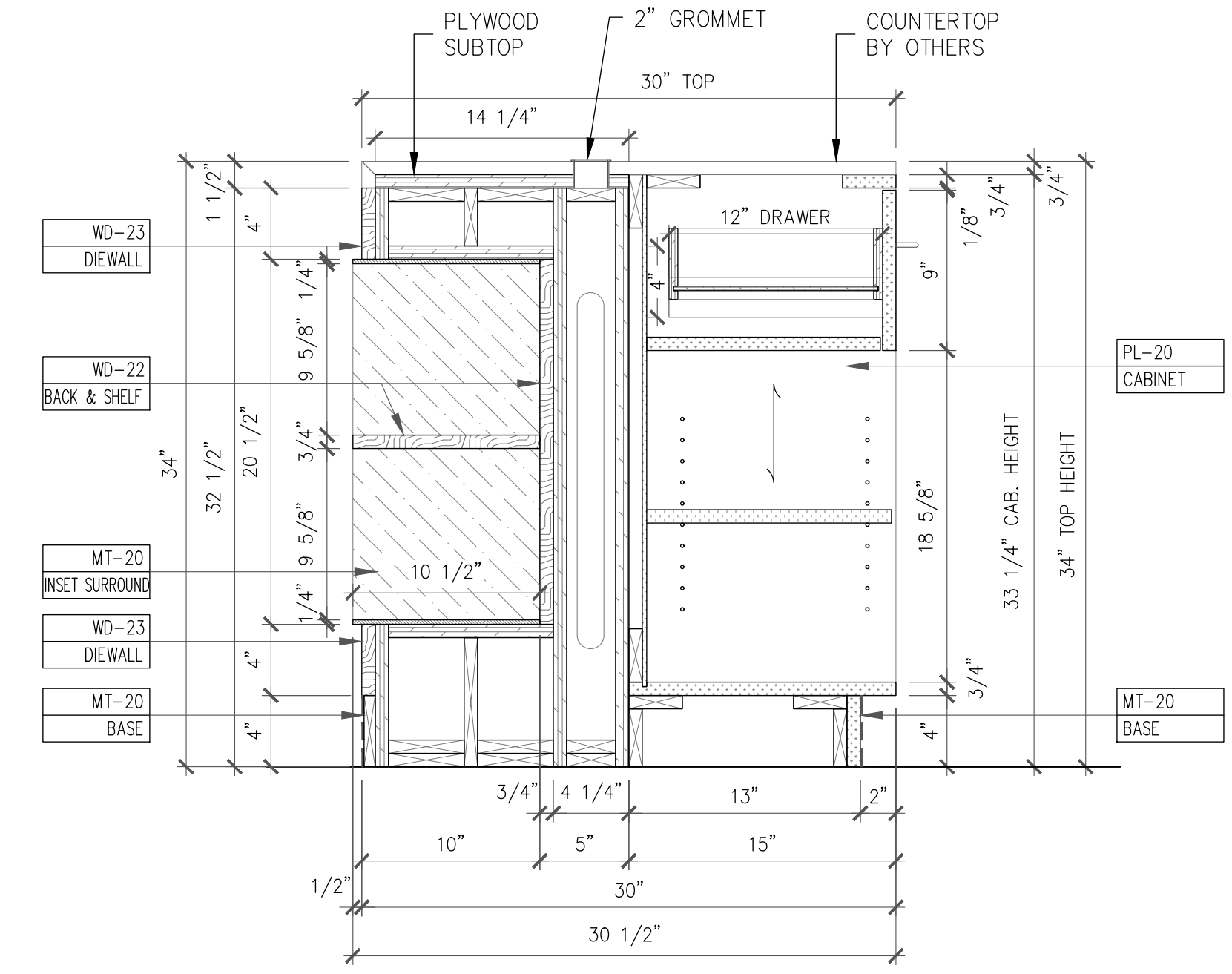
9 SECTION
REF: 4/ID-CHI-DT-2.02 SCALE: 1-1/2" = 1'-0"



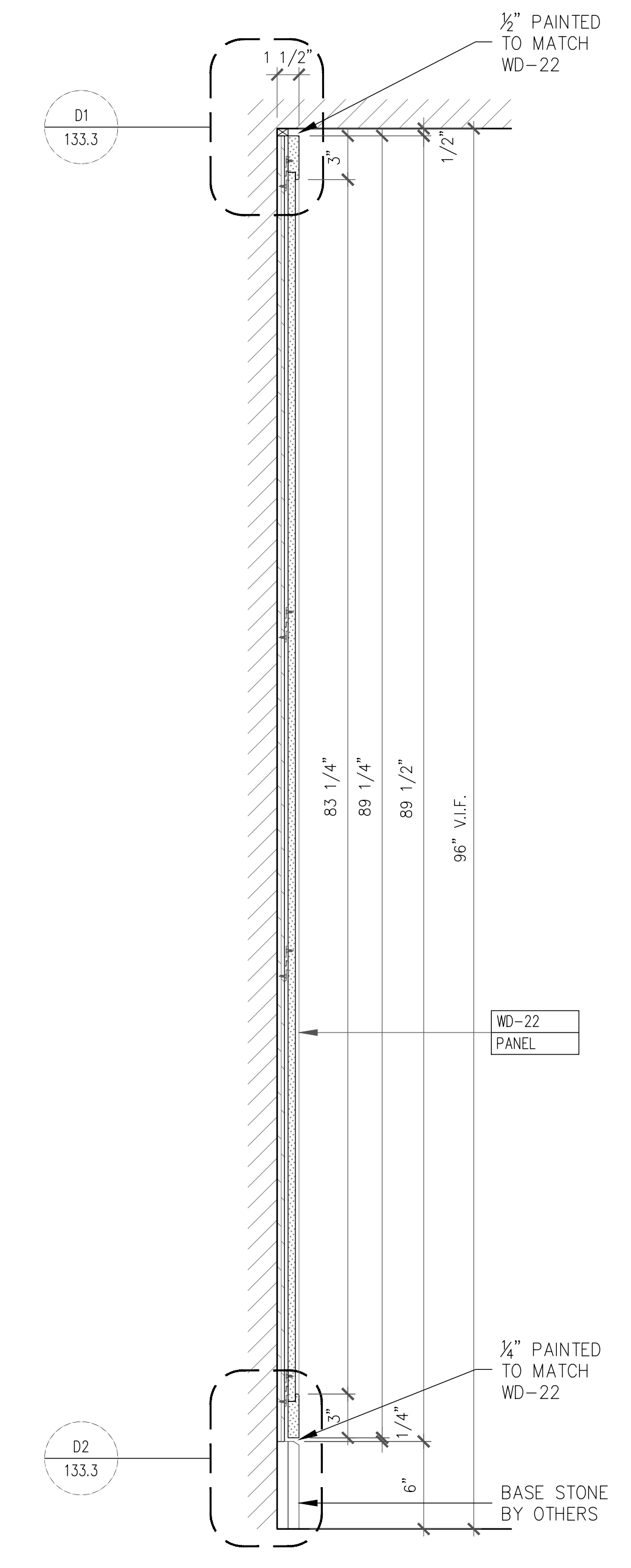
10 SECTION
REF: NONE SCALE: 1-1/2" = 1'-0"



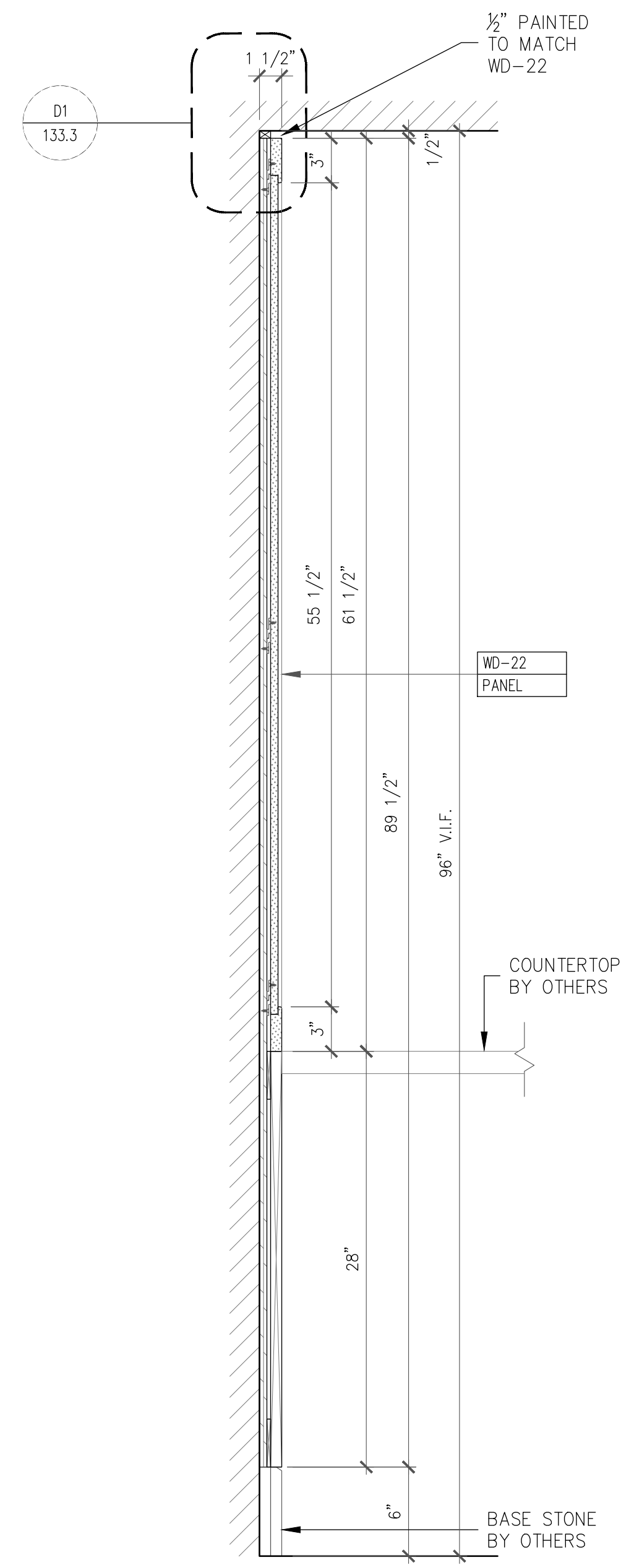
11 SECTION
REF: 1/ID-CHI-DT-2.04 SCALE: 1-1/2" = 1'-0"



12 SECTION
REF: 1/ID-CHI-DT-2.01 SCALE: 1-1/2" = 1'-0"

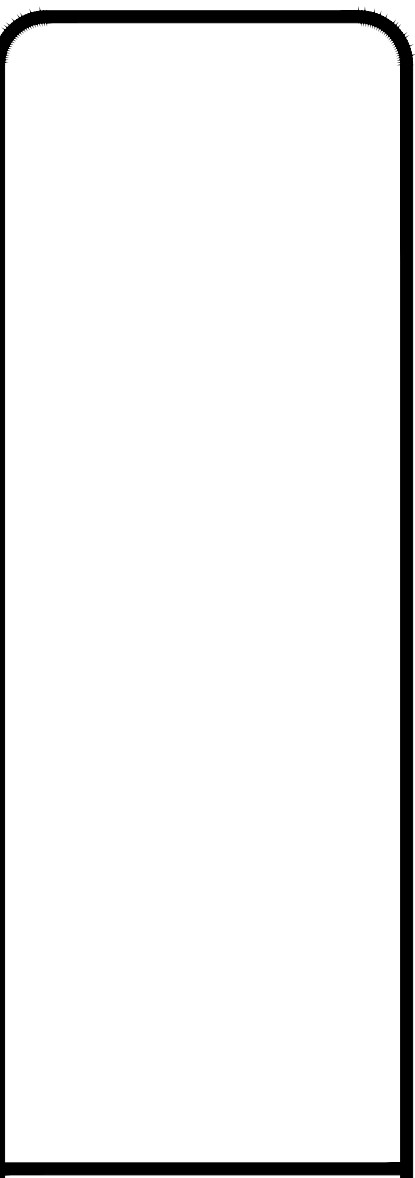


7 SECTION
REF: 3/ID-CHI-DT-2.01 SCALE: 1-1/2" = 1'-0"



8 SECTION
REF: 3/ID-CHI-DT-2.01 SCALE: 1-1/2" = 1'-0"

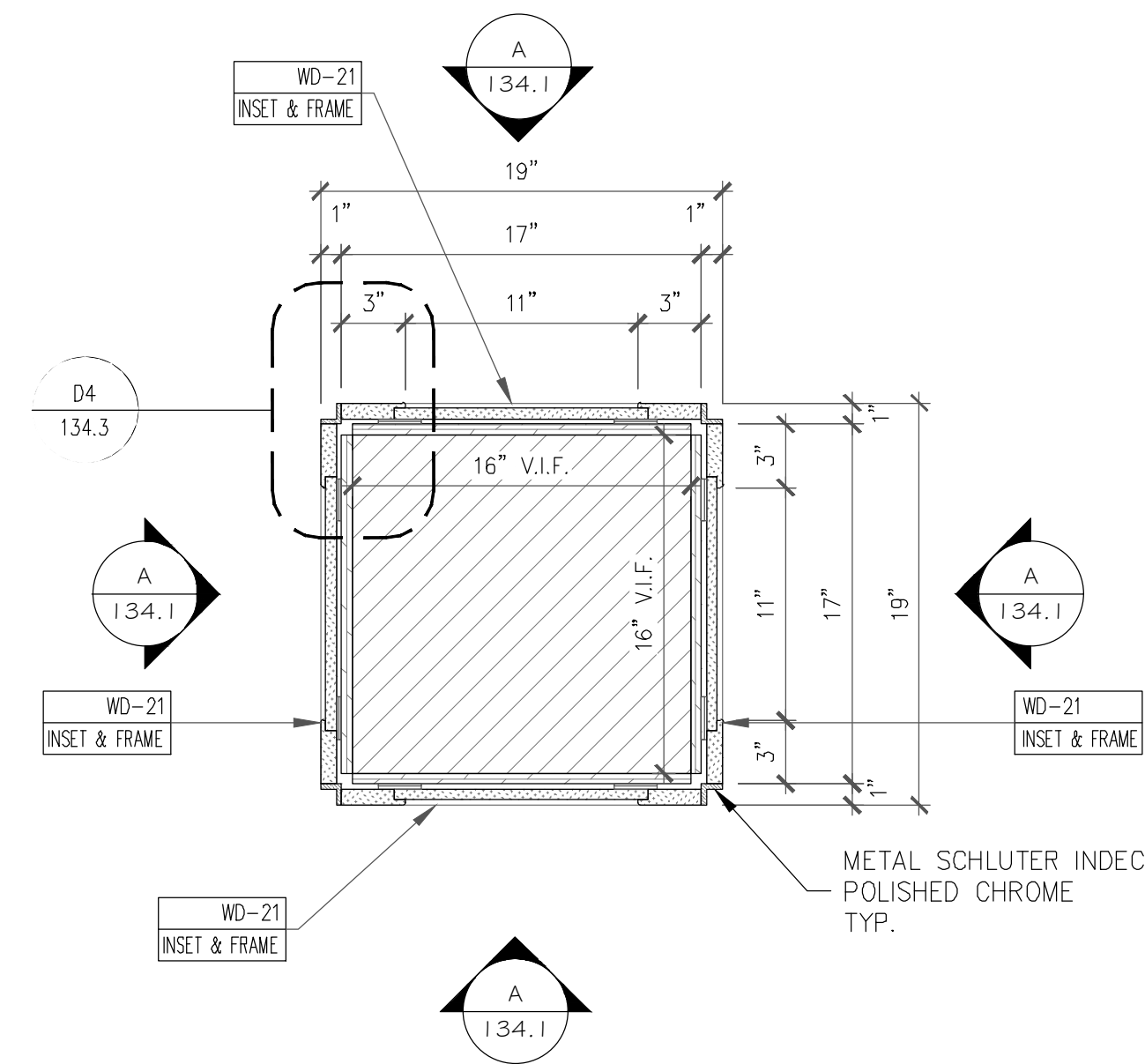
REVISIONS	BY



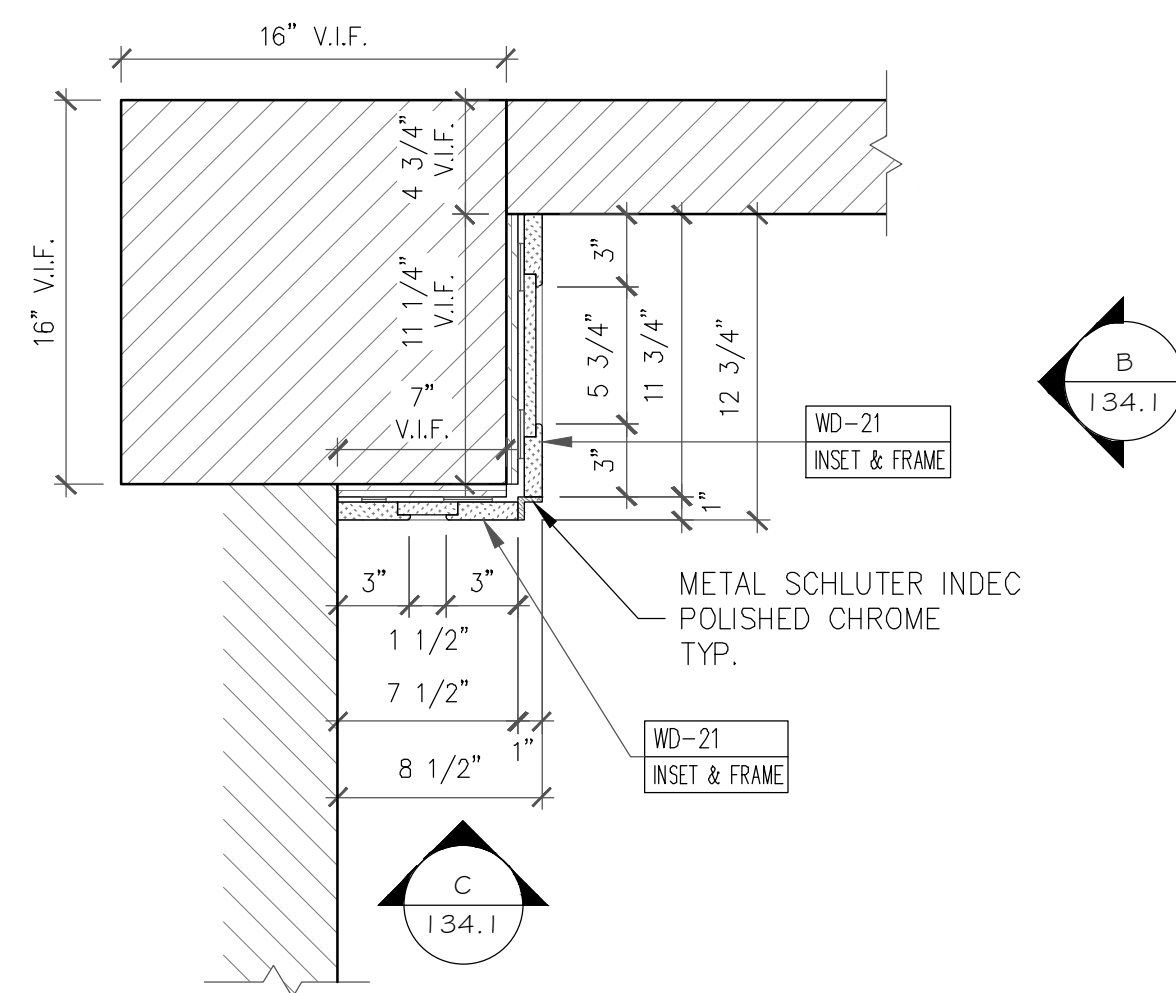
LEVEL 1
POS STATION
MARKET

PROJECT
MAUI BAY VILLAS
LOCATION
KIHEI, MAUI, HAWAII

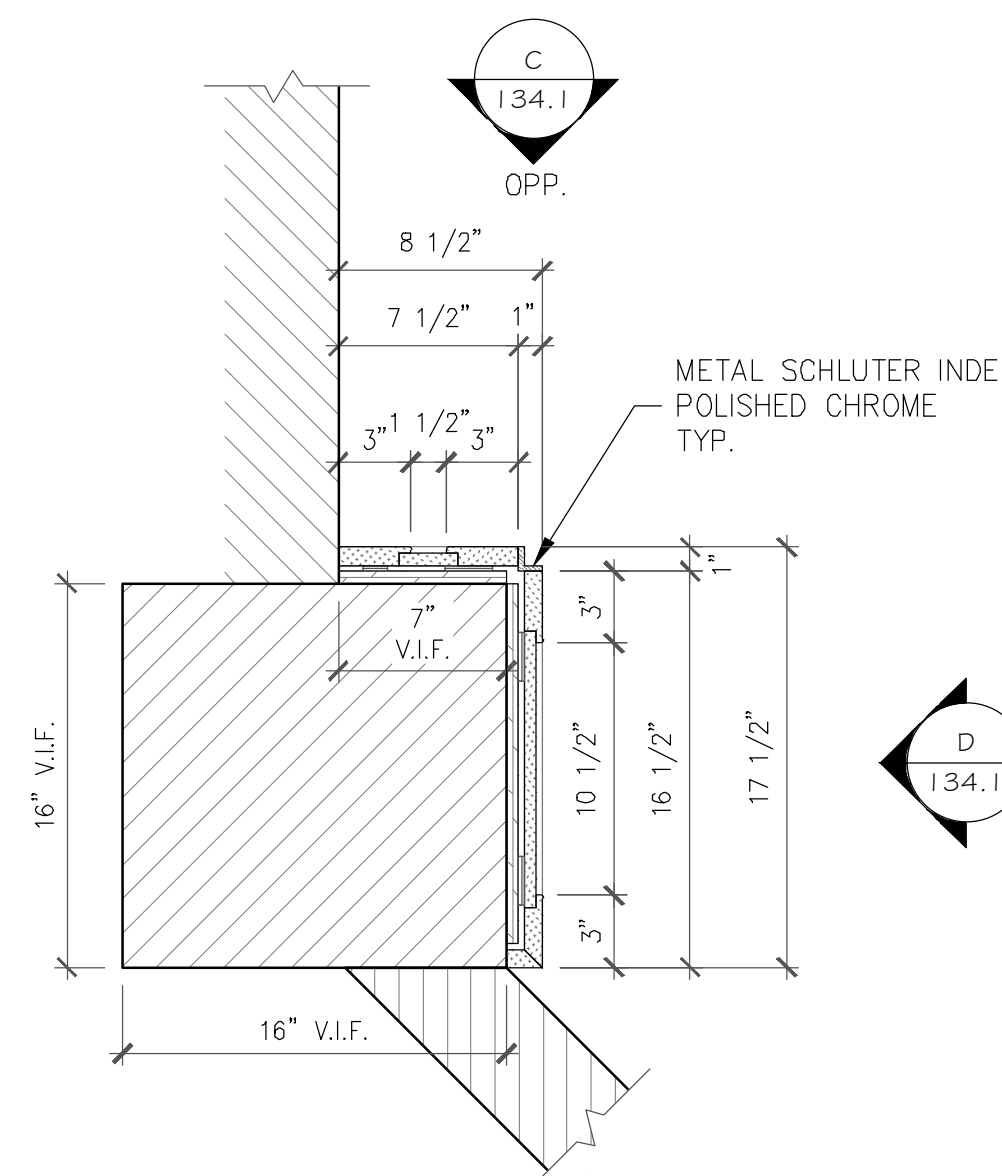
DRAWN	HD
CHECKED	RT
DATE	10/10/2019
SCALE	1/4" = 1'-0"
AS NOTED	JOB NO.
2129	133.6
SHEET	1 of 2



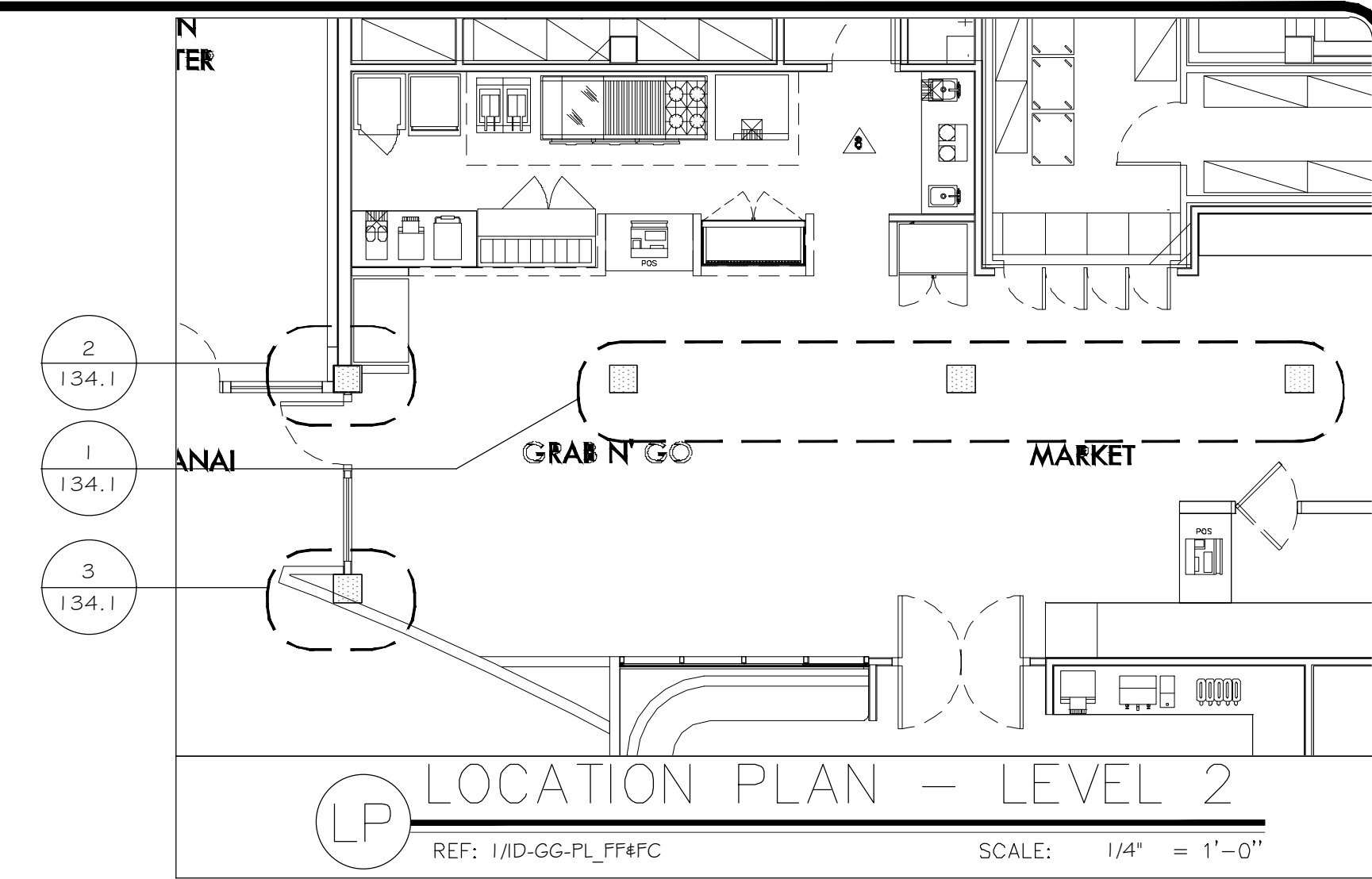
1 PLAN SECTION – SUPPORT COLUMNS (3 EA. REQ'D.)
 REF: 11/D-CH1-DT-2.04 SCALE: 1-1/2" = 1'-0"



2 PLAN SECTION – SUPPORT COLUMNS
 REF: NONE SCALE: 1-1/2" = 1'-0"



3 PLAN SECTION – SUPPORT COLUMNS
 REF: NONE SCALE: 1-1/2" = 1'-0"



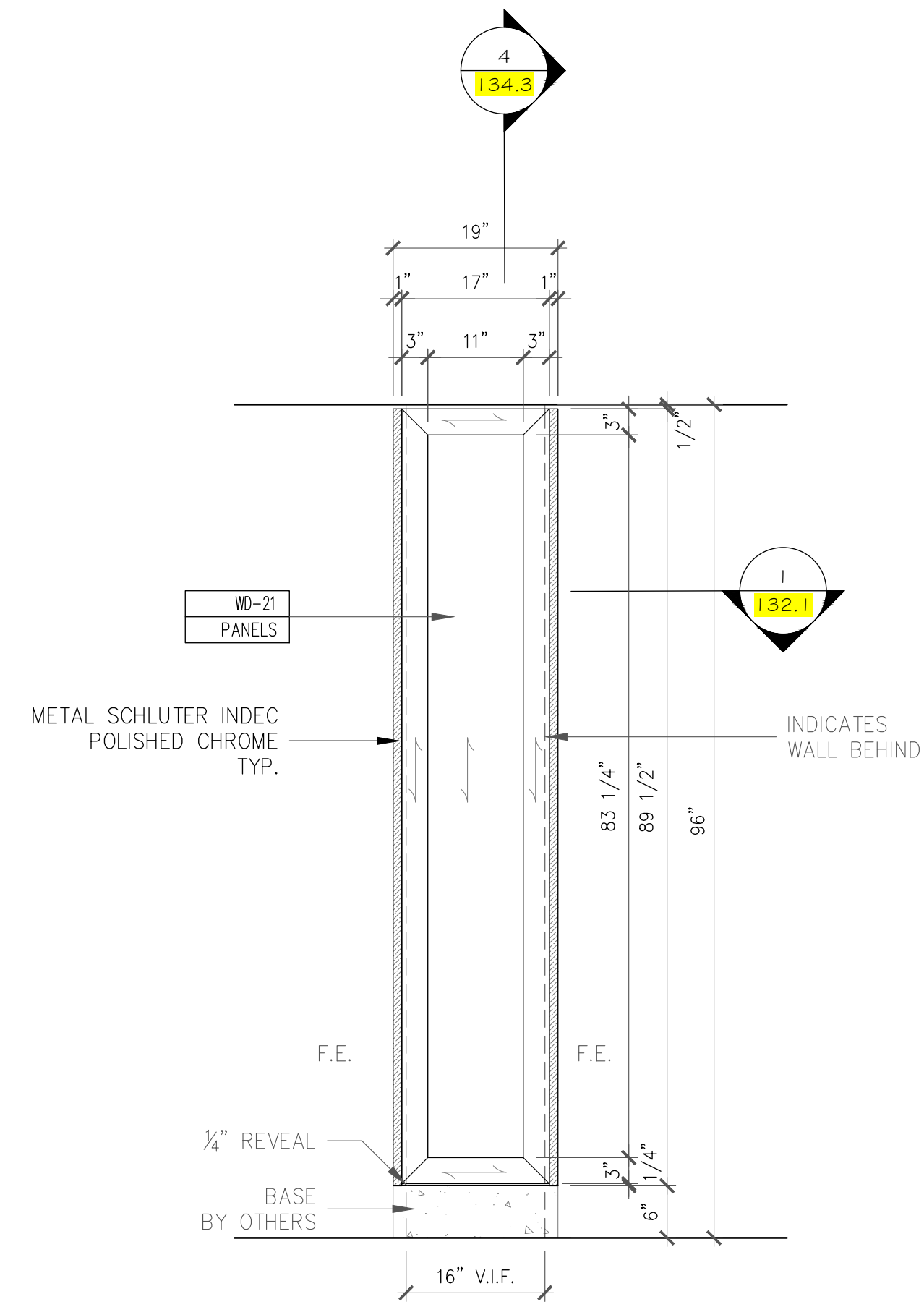
REVISIONS	BY

PROJECT: MAUI BAY VILLAS
 LOCATION: KIHEI, MAUI, HAWAII

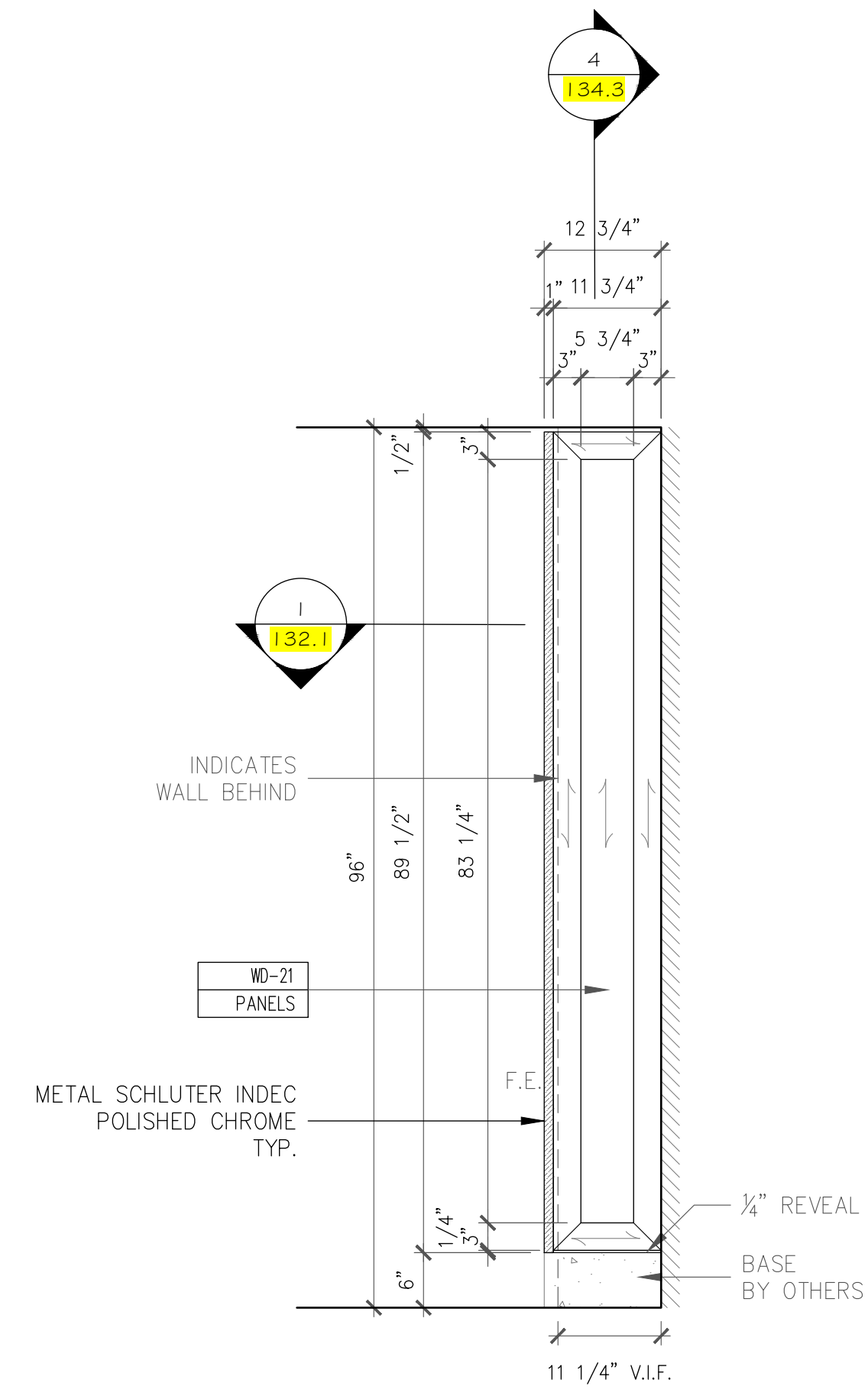
ITEM: LEVEL 1
 SUPPORT COLUMNS
 MARKET

PROJECT: MAUI BAY VILLAS
 LOCATION: KIHEI, MAUI, HAWAII

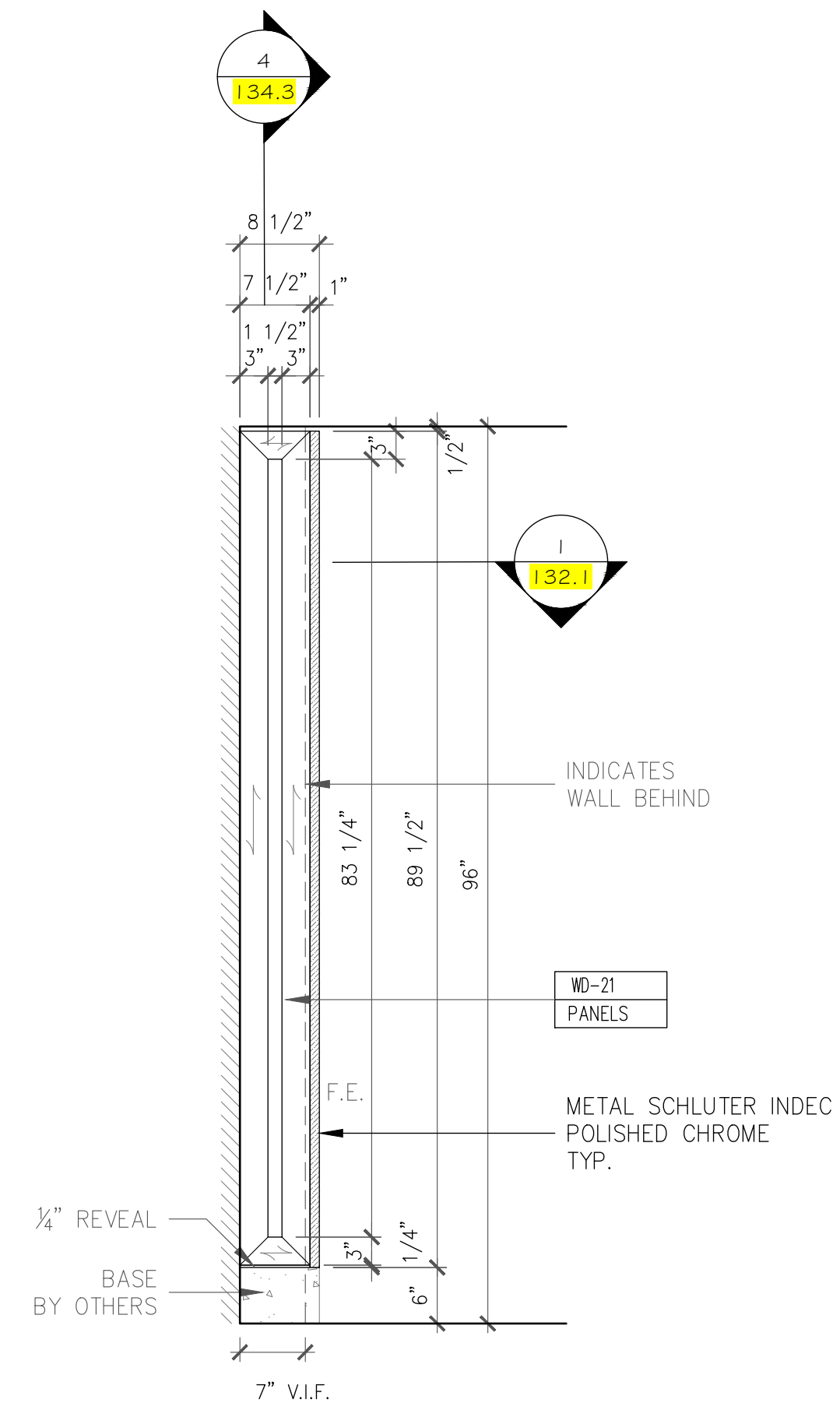
DRAWN	HD
CHECKED	RT
DATE	10/10/2019
SCALE	AS NOTED
JOB NO.	2129
SHEET	134.1
1 of 2	



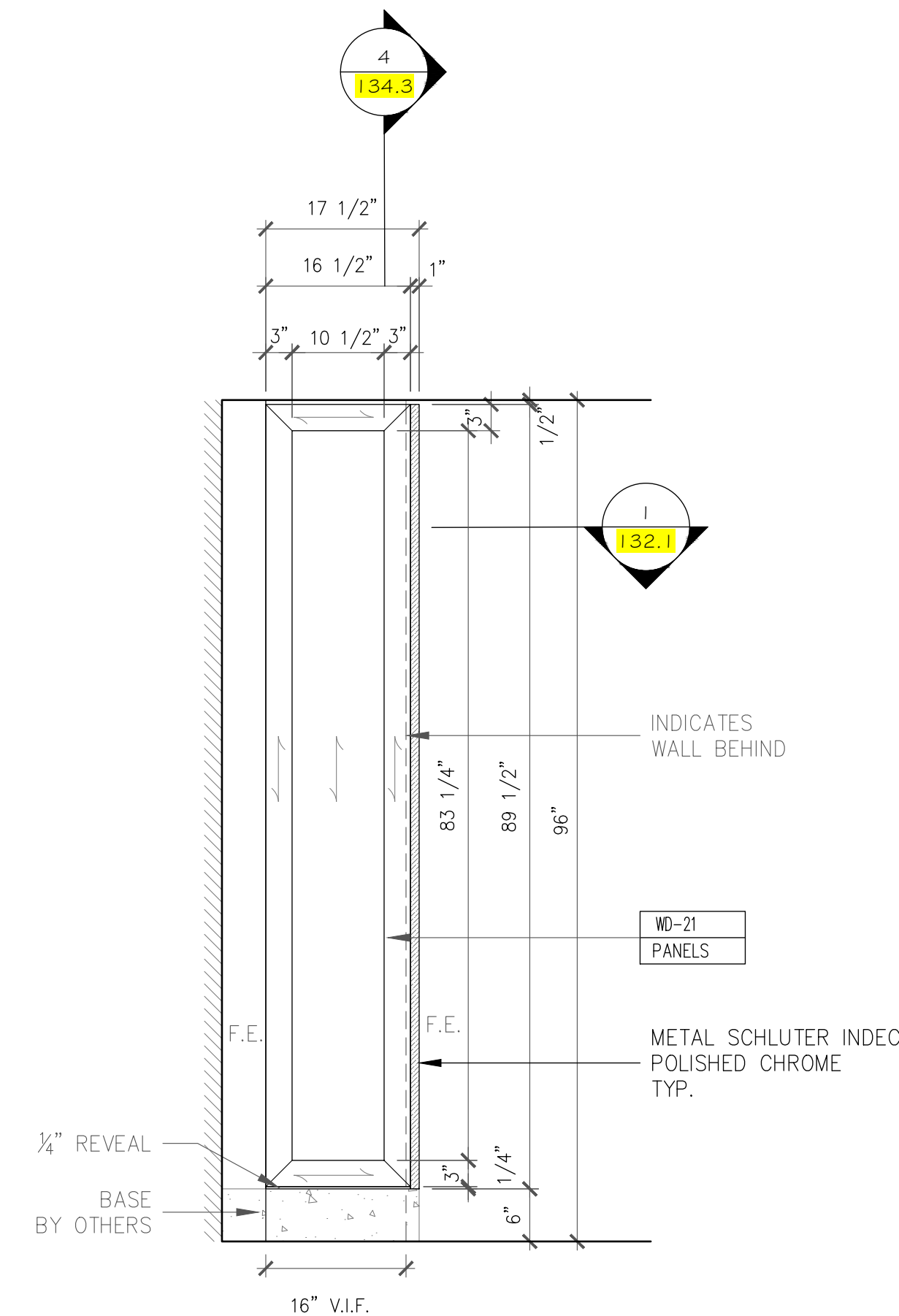
A ELEVATION: SUPPORT COLUMNS
 REF: ID-CH 1-EL-12/ID-CH 1-DT-2.04 SCALE: 3/4" = 1'-0"



B ELEVATION: SUPPORT COLUMNS
 REF: NONE SCALE: 3/4" = 1'-0"



C ELEVATION: SUPPORT COLUMNS
 REF: NONE SCALE: 3/4" = 1'-0"



D ELEVATION: SUPPORT COLUMNS
 REF: NONE SCALE: 3/4" = 1'-0"

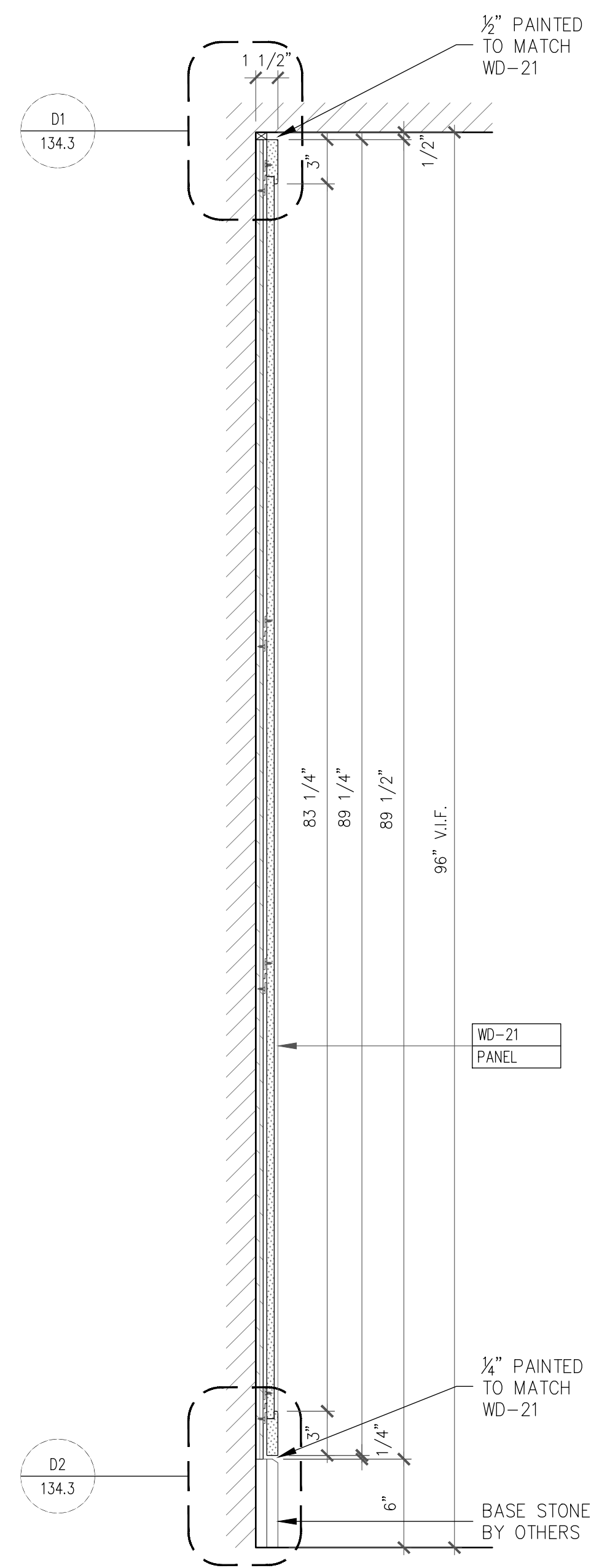
REVISIONS	BY

LEVEL 1
 SUPPORT COLUMNS
 MARKET

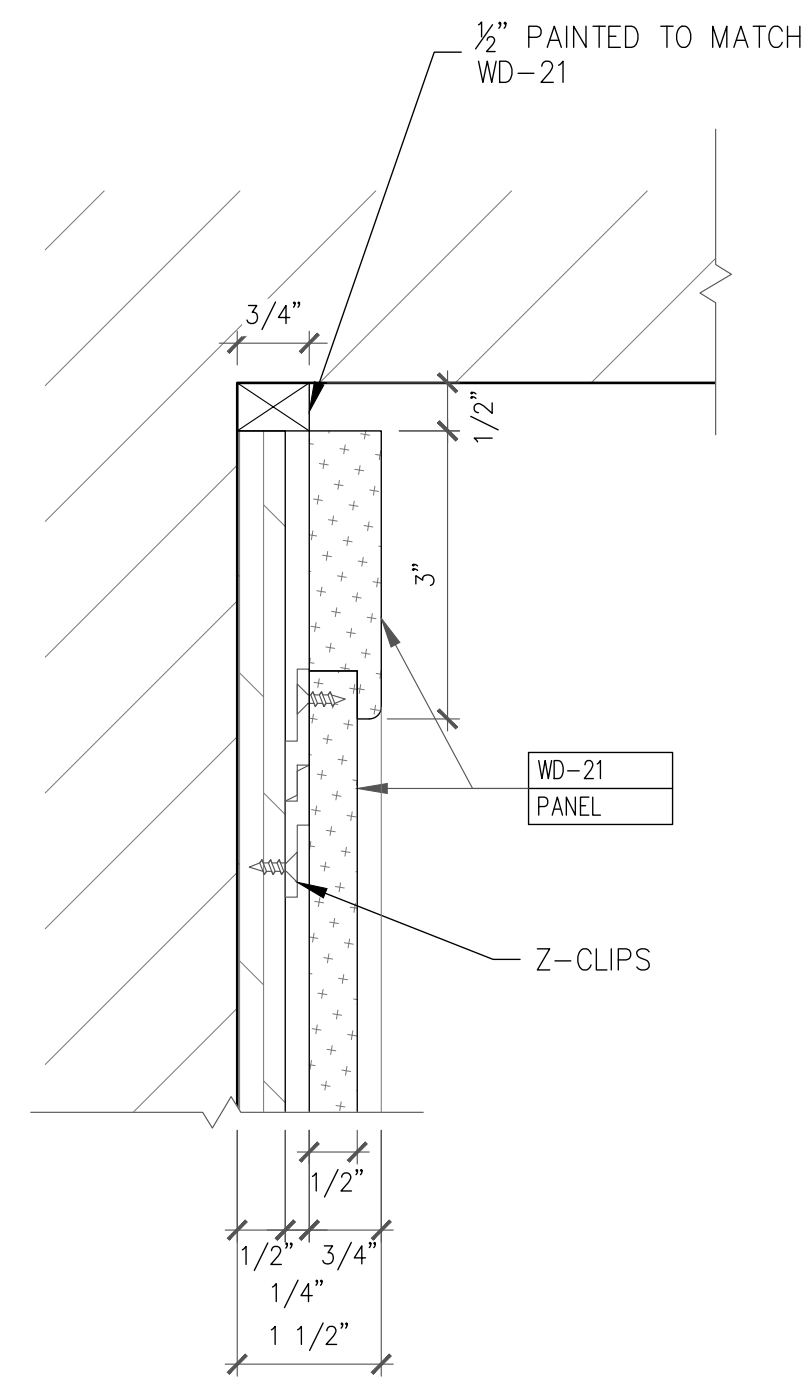
PROJECT
MAUI BAY VILLAS
 LOCATION
KIHEI, MAUI, HAWAII

DRAWN
 HD
 CHECKED
 RT
 DATE
 10/10/2019
 SCALE
 AS NOTED
 JOB NO.

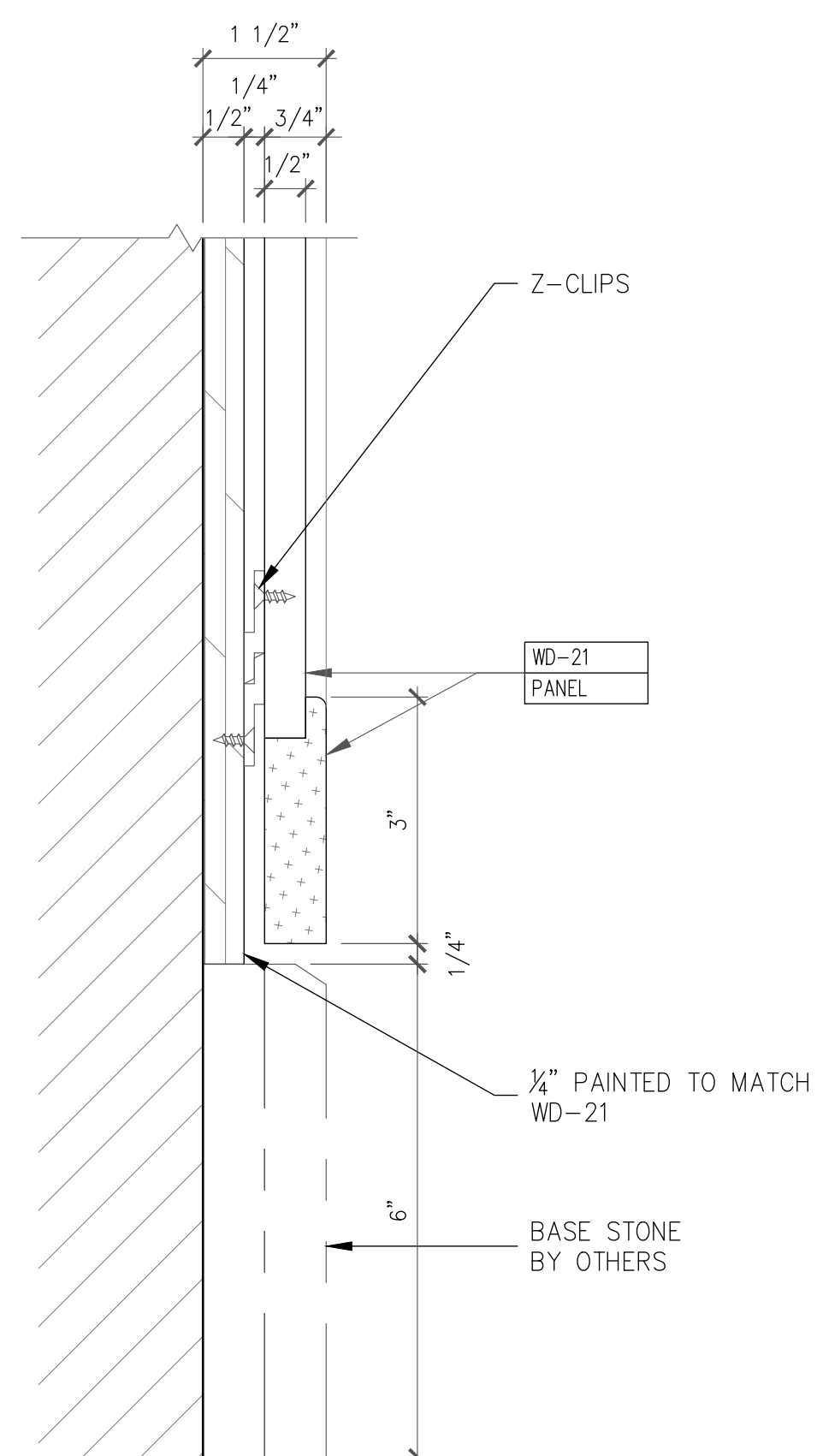
2129
 SHEET
134.2
 1 of 2



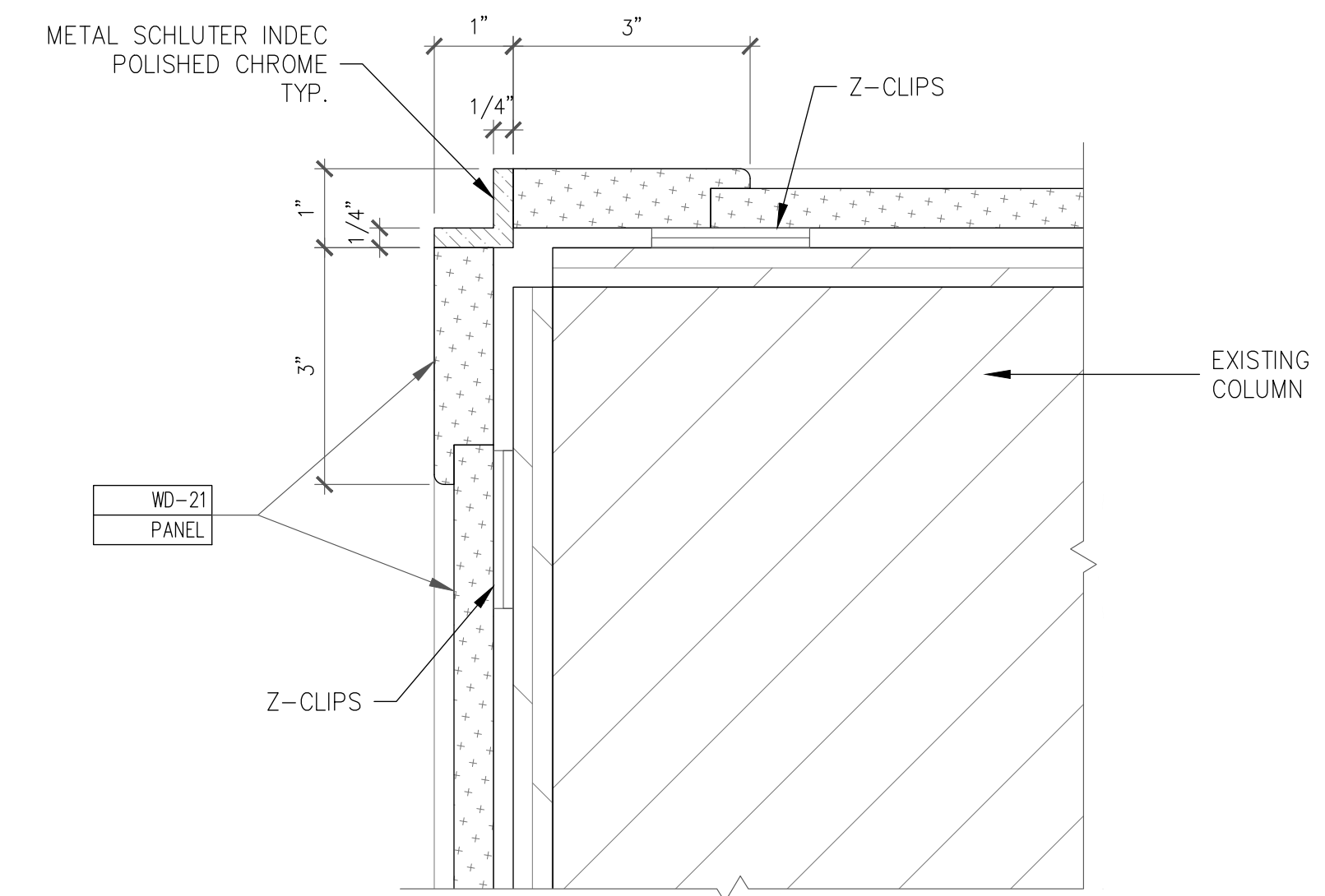
4 SECTION
 REF: 13/ID-CH1-DT-2.04 SCALE: 1-1/2" = 1'-0"



D1 DETAIL
 REF: NONE SCALE: 6" = 1'-0"



D2 DETAIL
 REF: 13/ID-CH1-DSGACB SCALE: 6" = 1'-0"



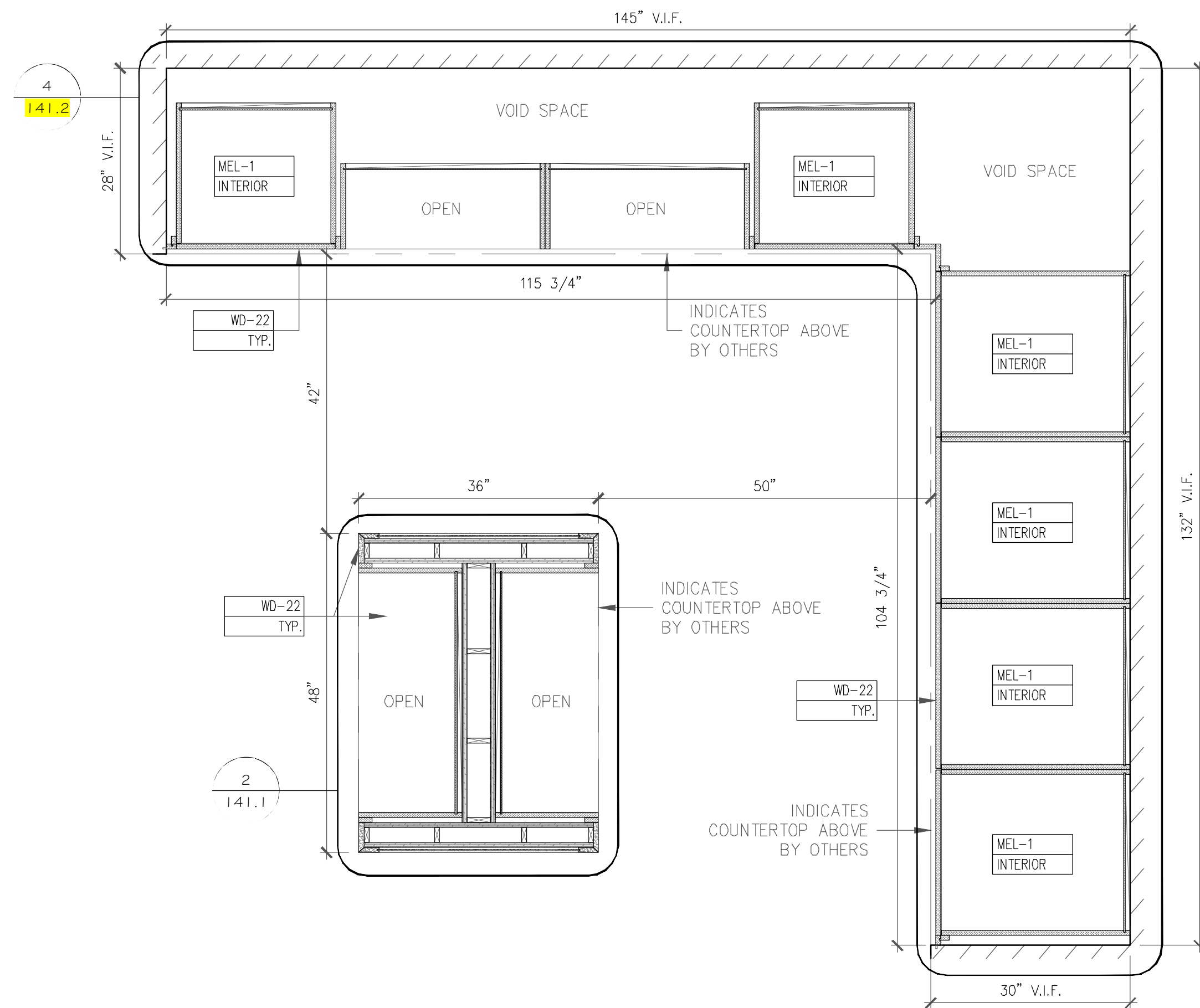
D3 DETAIL
 REF: NONE SCALE: 6" = 1'-0"

REVISIONS	BY

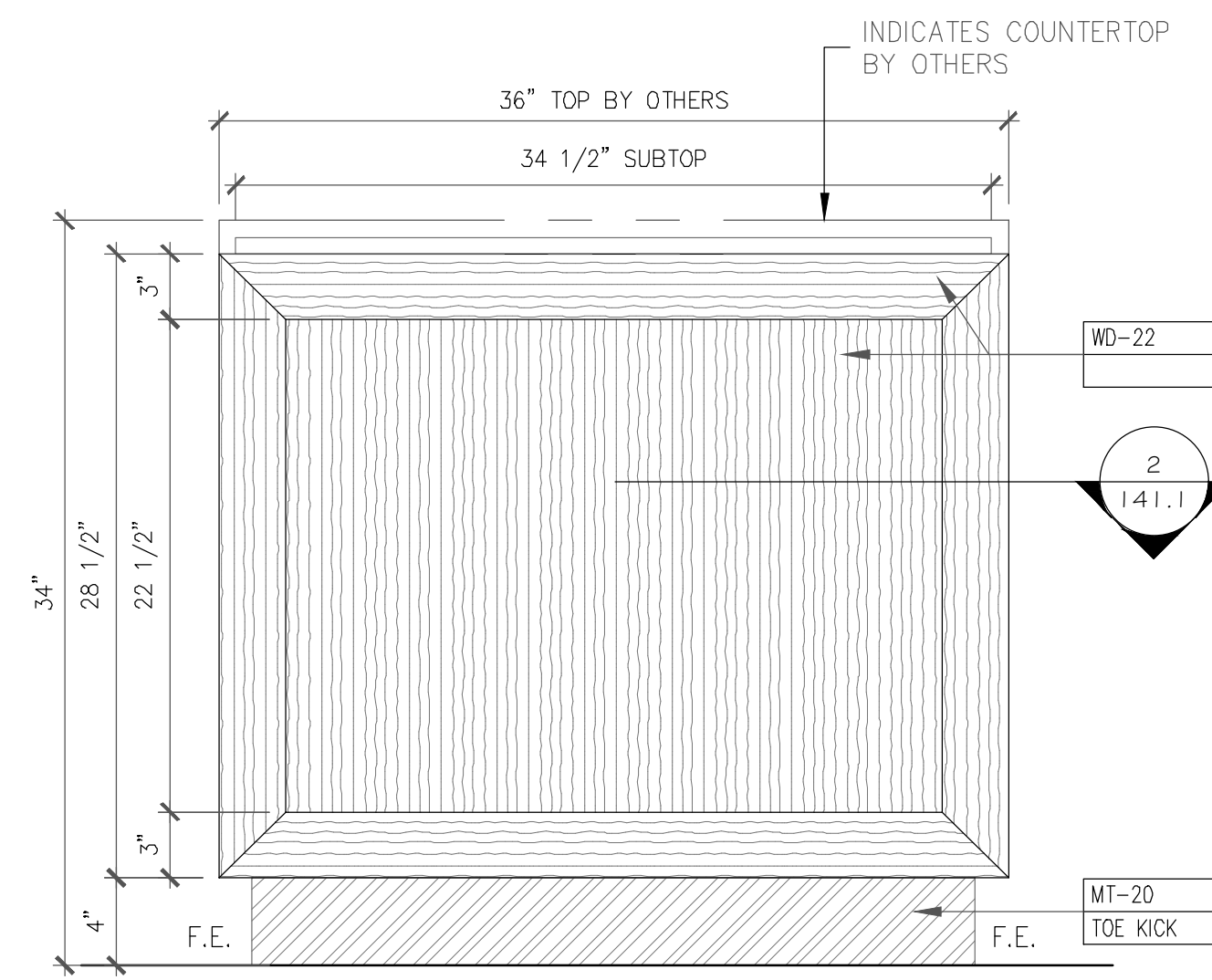
PROJECT **MAUI BAY VILLAS**
 LOCATION **KIHEI, MAUI, HAWAII**
 ITEM **LEVEL 1 SUPPORT COLUMNS MARKET**

DRAWN **HD**
 CHECKED **RT**
 DATE **10/10/2019**
 SCALE **AS NOTED**
 JOB NO. **2129**

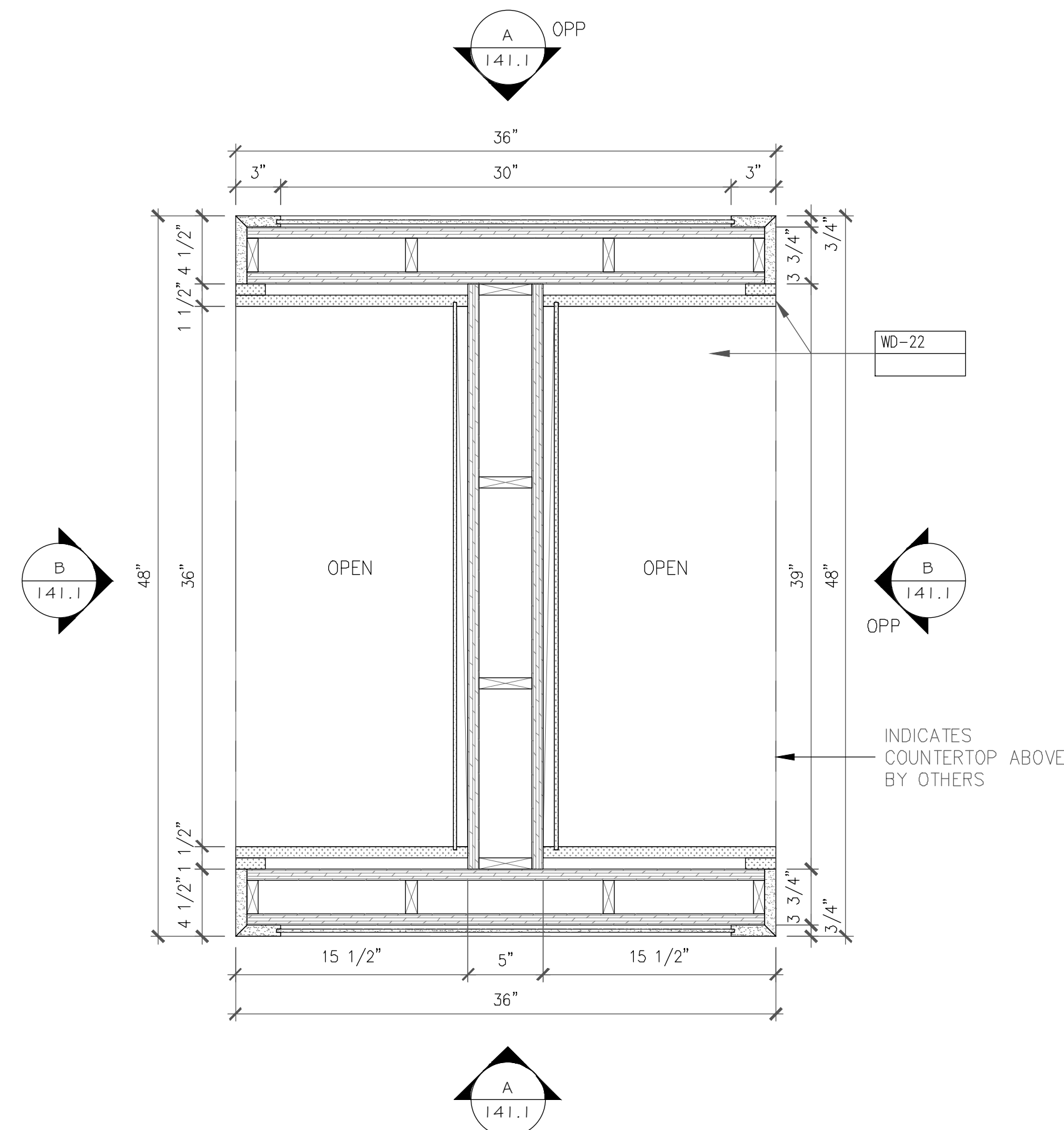
SHEET **134.3**
 1 of 2



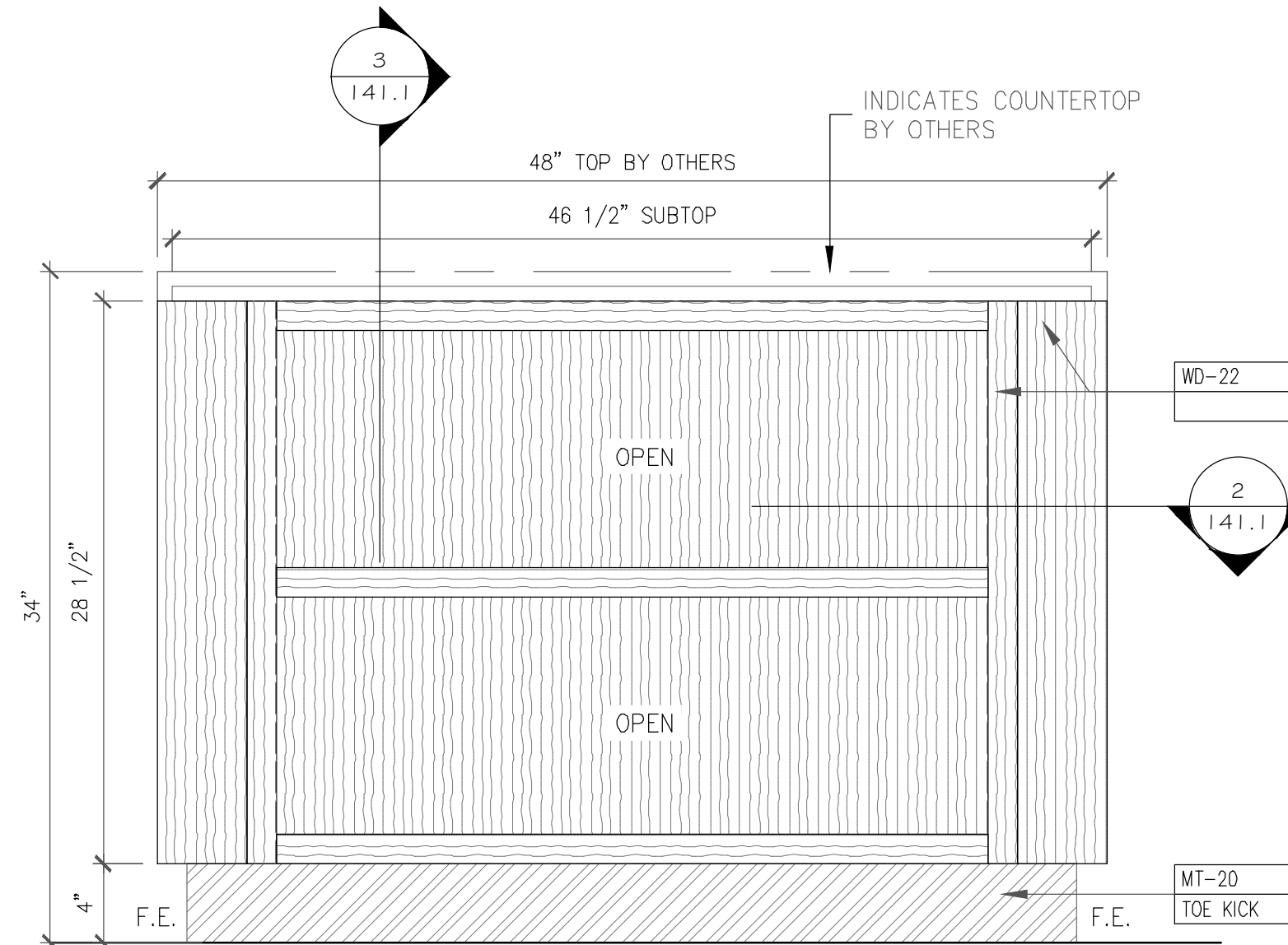
1 PLAN - BUFFET
REF: 2/ID-CHI-DT-2.03 SCALE: 3/4" = 1'-0"



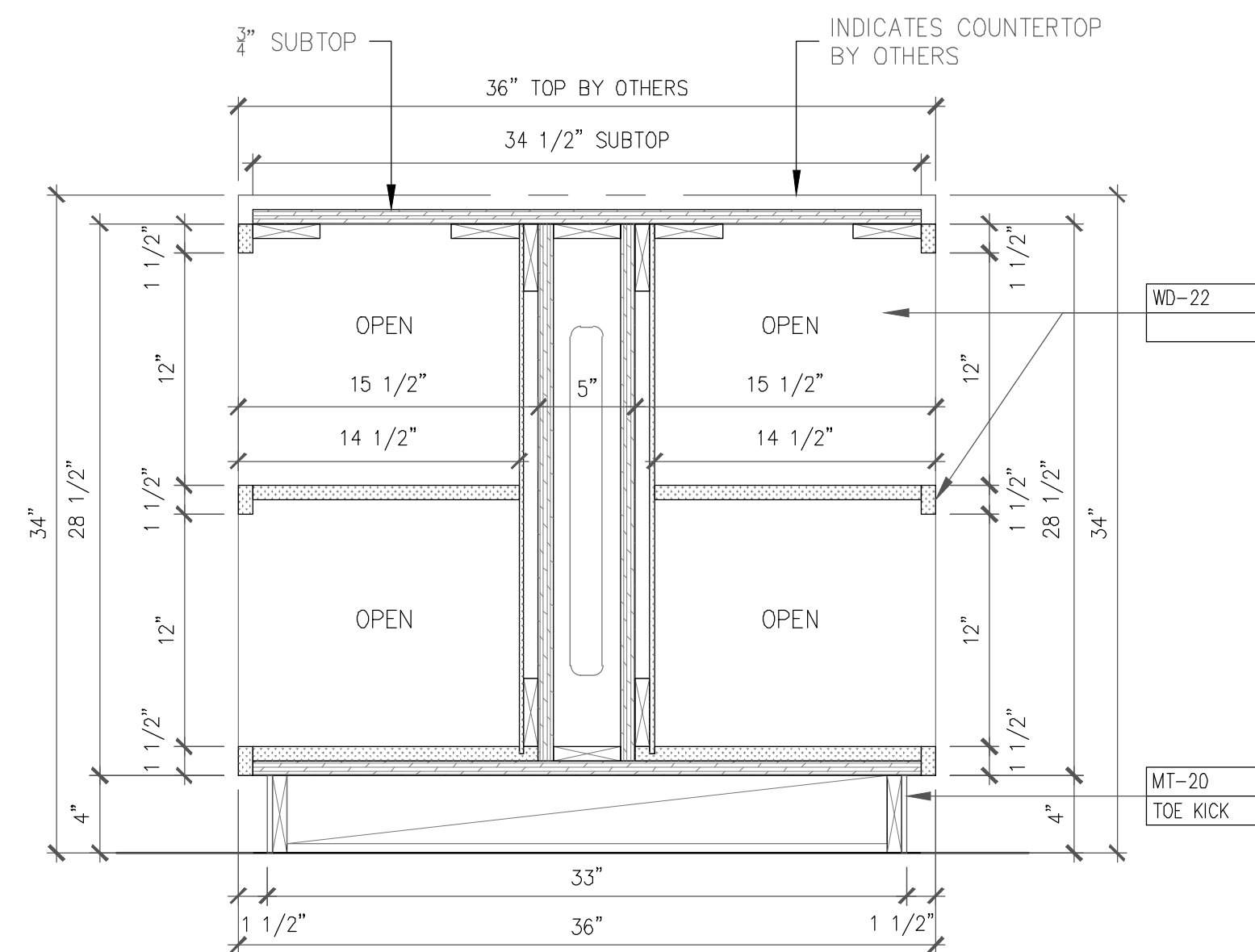
A ELEVATION - BUFFET
REF: 6/ID-CHI-DT-2.03 SCALE: 1-1/2" = 1'-0"



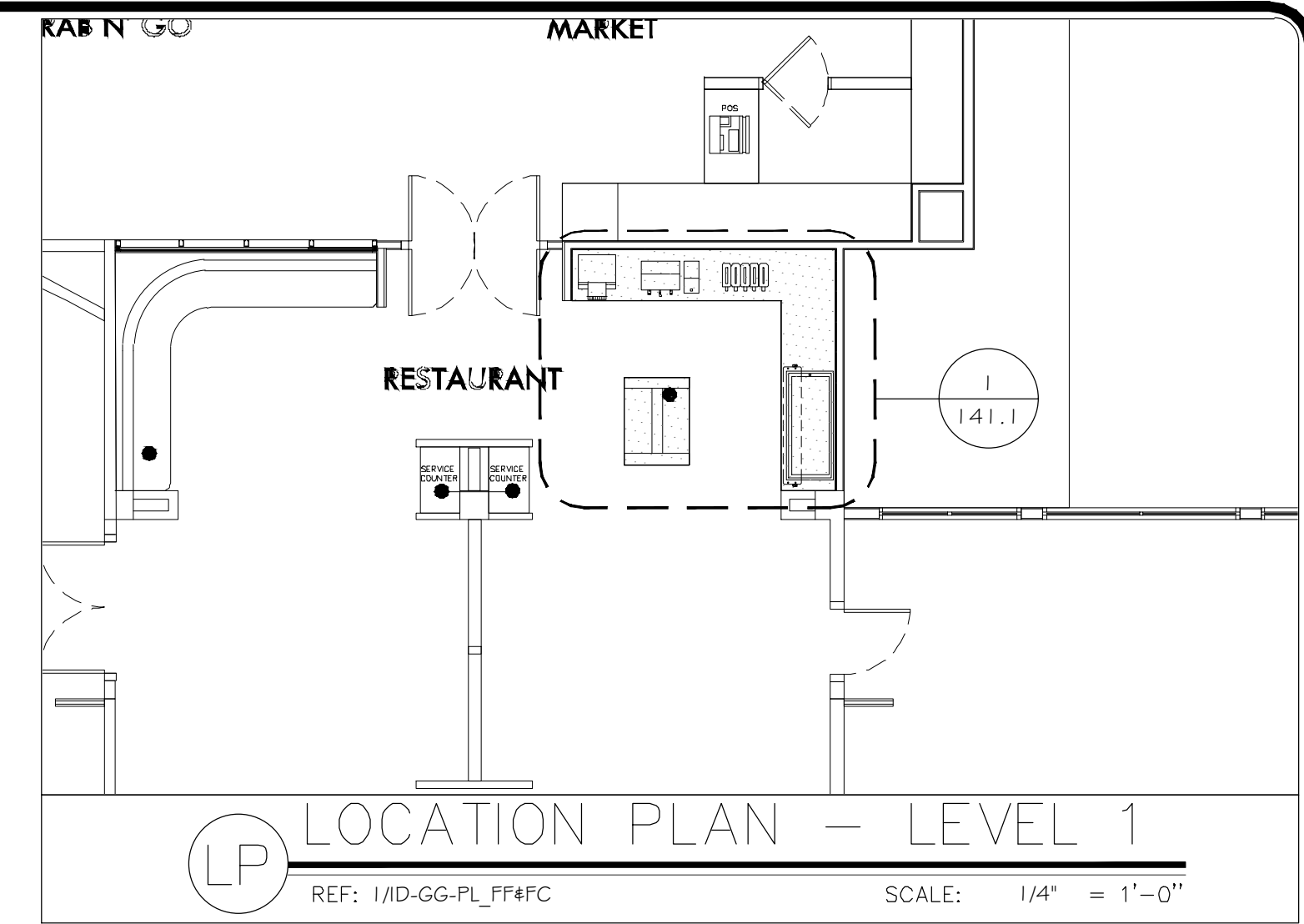
2 PLAN - BUFFET
REF: 2/ID-CHI-DT-2.03 SCALE: 1-1/2" = 1'-0"



B ELEVATION - BUFFET
REF: 5/ID-CHI-DT-2.03 SCALE: 1-1/2" = 1'-0"



3 SECTION - BUFFET
REF: 4/ID-CHI-DT-2.04 SCALE: 1-1/2" = 1'-0"



REVISIONS BY

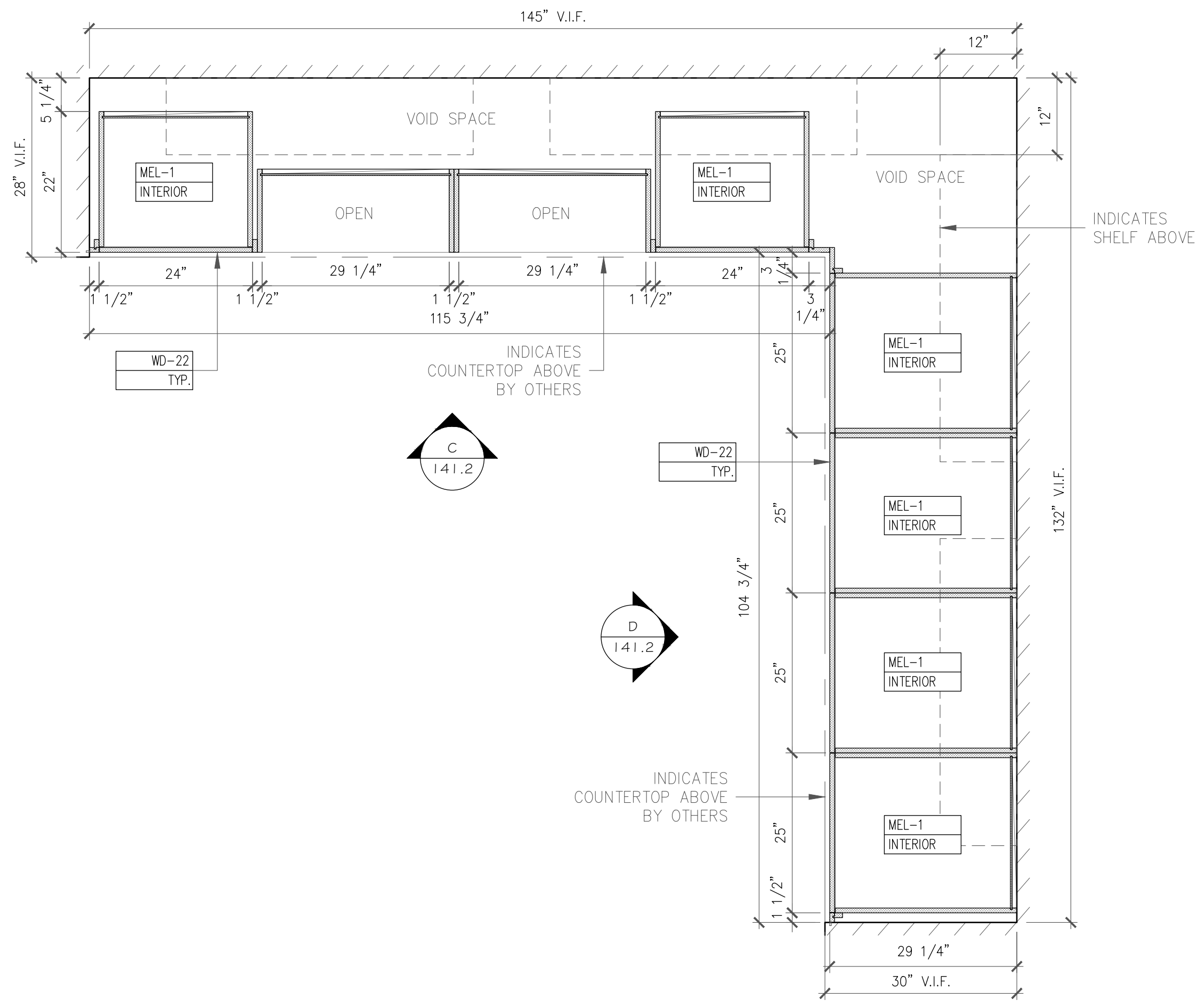
LEVEL 1
CASEWORK
BUFFET

PROJECT
MAUI BAY VILLAS
LOCATION
KIHEI, MAUI, HAWAII

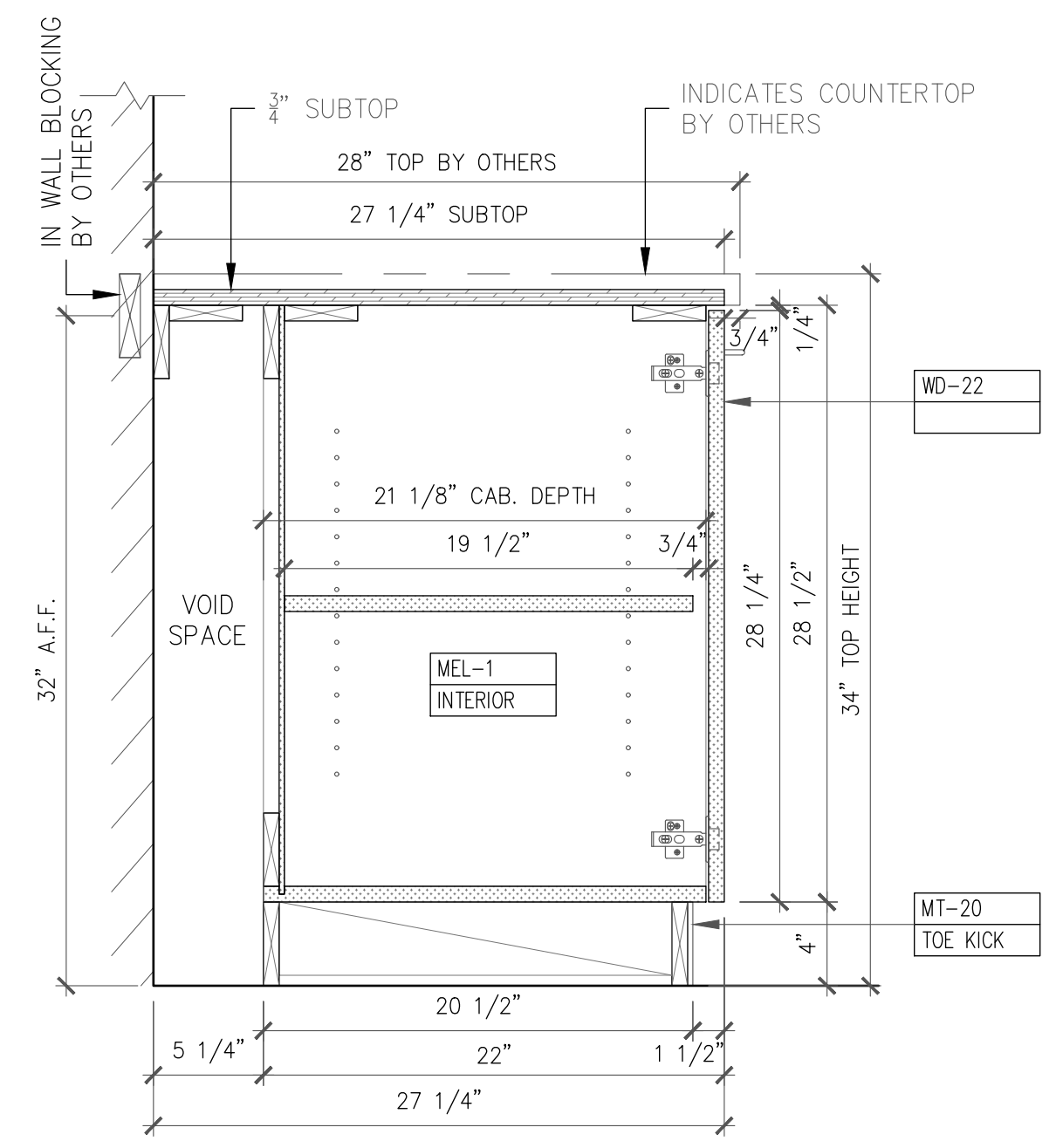
DRAWN
HD
CHECKED
RT
DATE
10/10/2019
SCALE
AS NOTED
JOB NO.

2129
SHEET
141.1
1 of 1

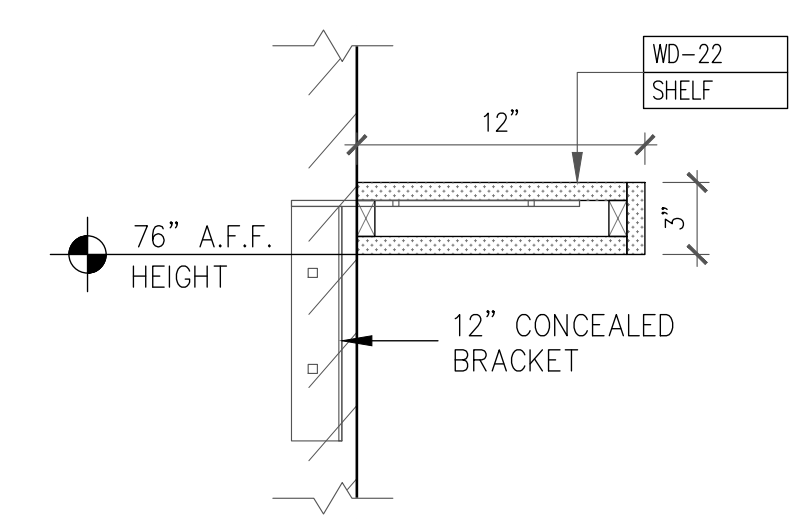
REVISIONS	BY



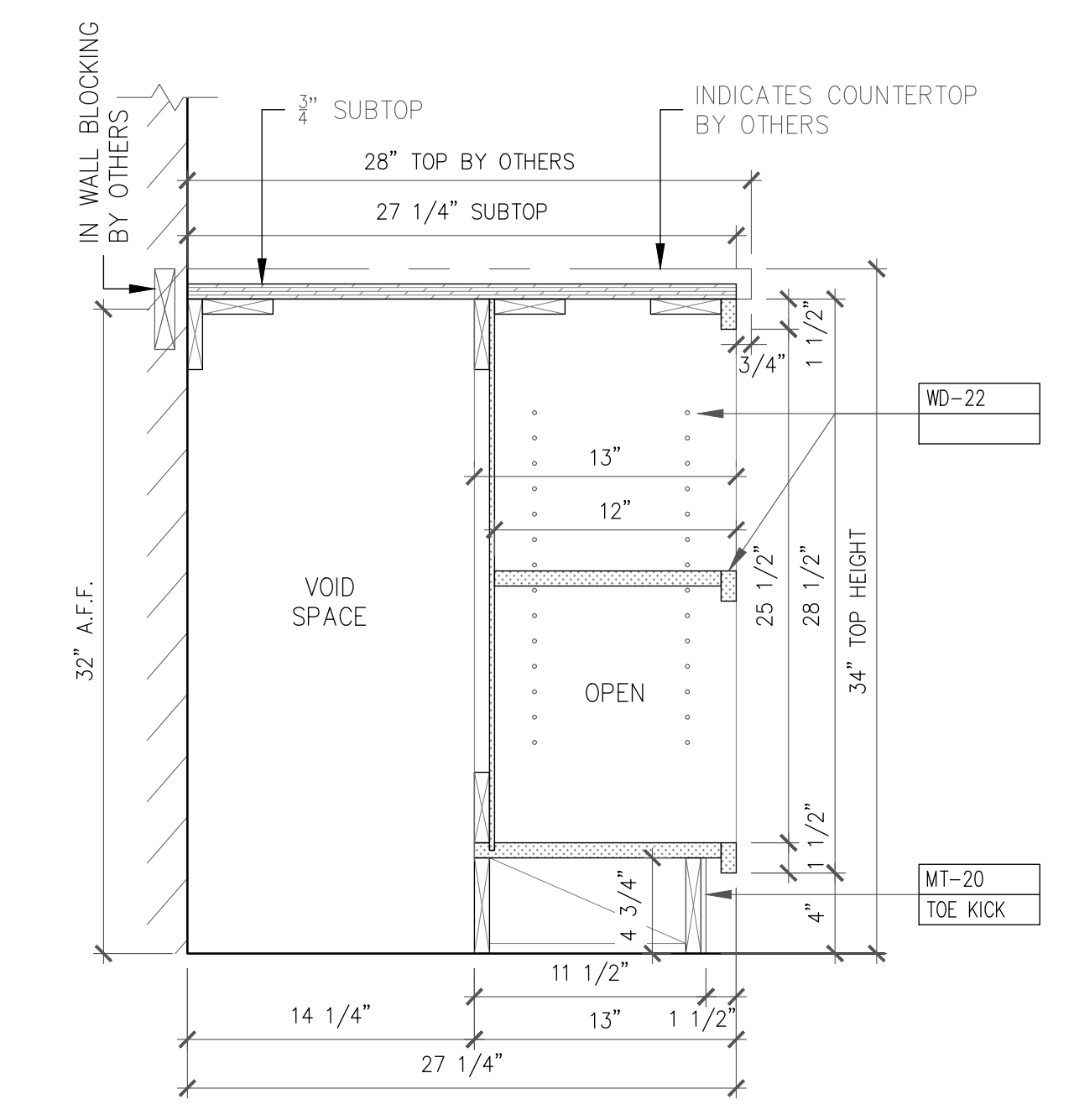
4 PLAN - BUFFET
REF: 2/ID-CHI-DT-2.03 SCALE: 3/4" = 1'-0"



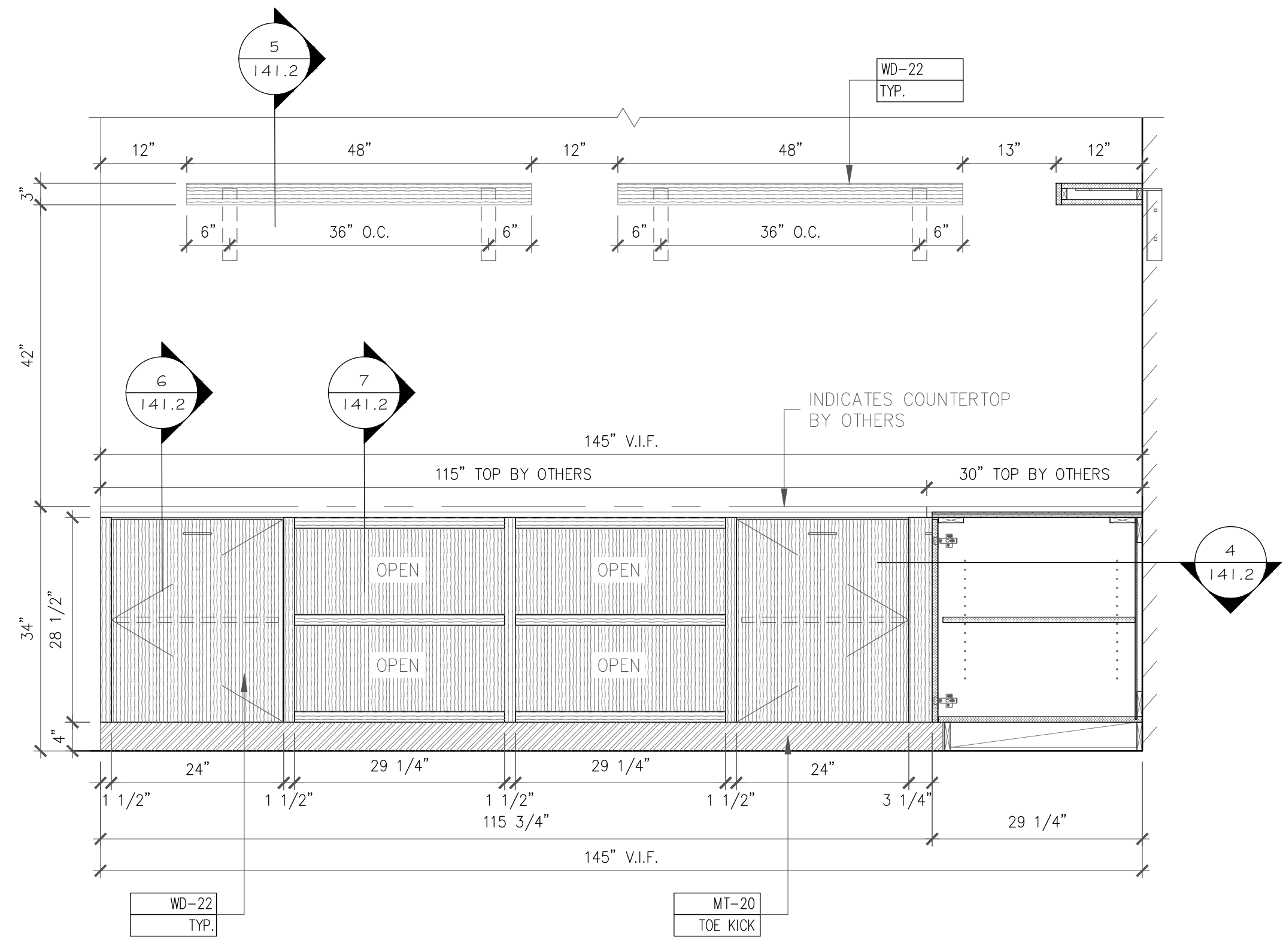
6 SECTION
REF: NONE SCALE: 1-1/2" = 1'-0"



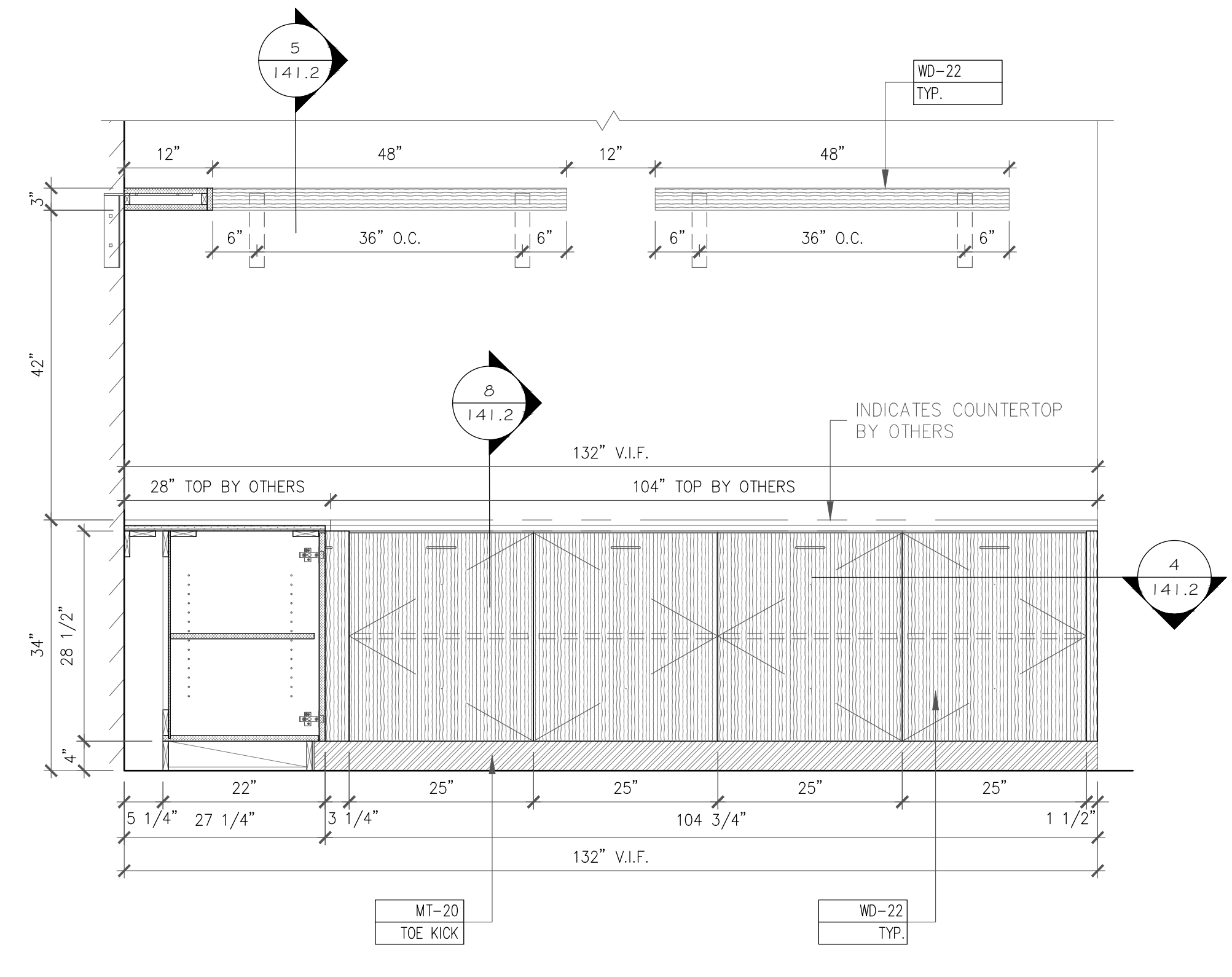
5 SECTION
REF: NONE SCALE: 1-1/2" = 1'-0"



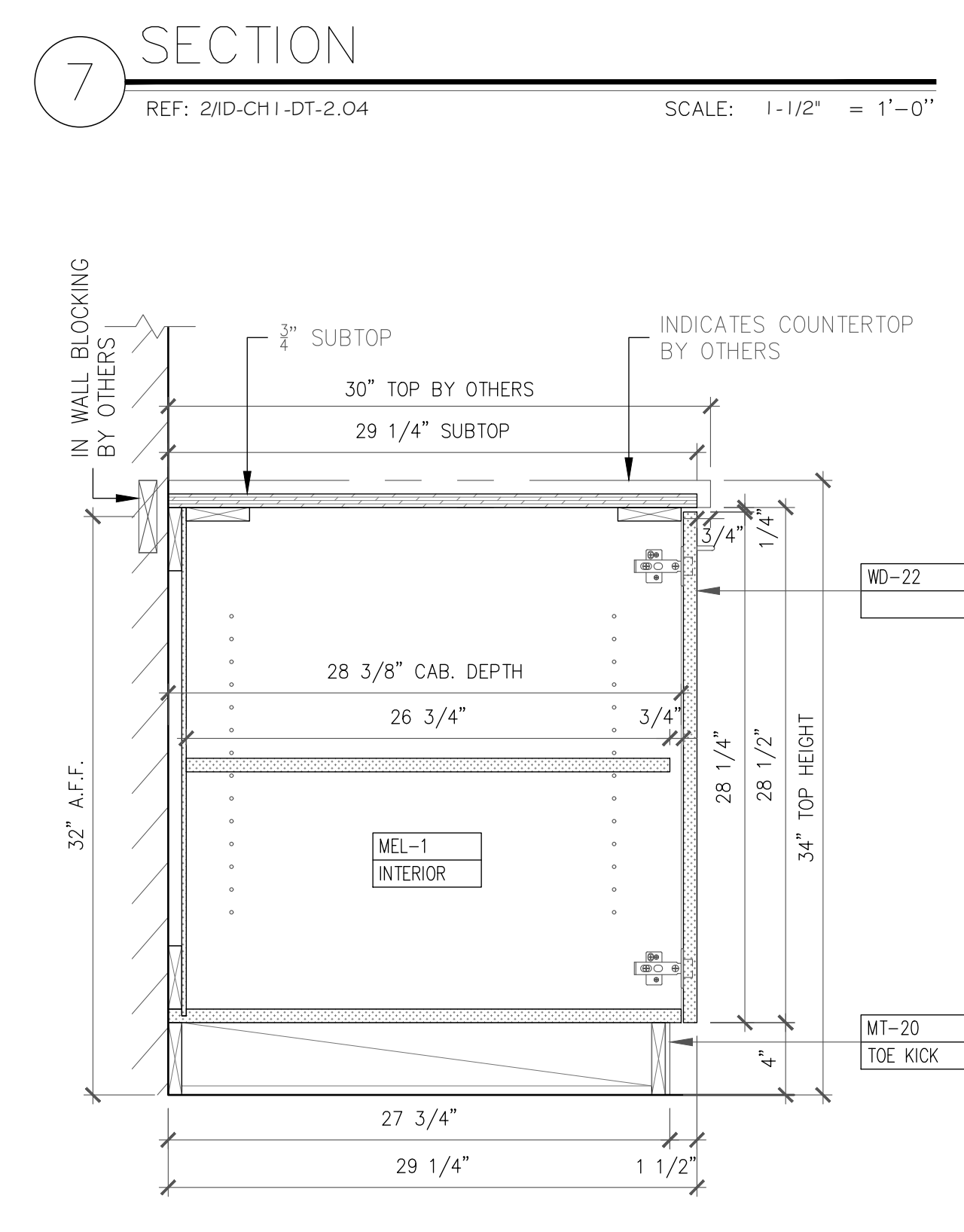
7 SECTION
REF: 2/ID-CHI-DT-2.04 SCALE: 1-1/2" = 1'-0"



C ELEVATION - BUFFET
REF: 3/ID-CHI-DT-2.03 SCALE: 3/4" = 1'-0"



D ELEVATION - BUFFET
REF: 4/ID-CHI-DT-2.03 SCALE: 3/4" = 1'-0"



8 SECTION
REF: 6/ID-CHI-DT-2.04 SCALE: 1-1/2" = 1'-0"

LEVEL 1
CASEWORK
BUFFET

PROJECT
MAUI BAY VILLAS

LOCATION
KIHEI, MAUI, HAWAII

DRAWN
HD

CHECKED
RT

DATE
10/10/2019

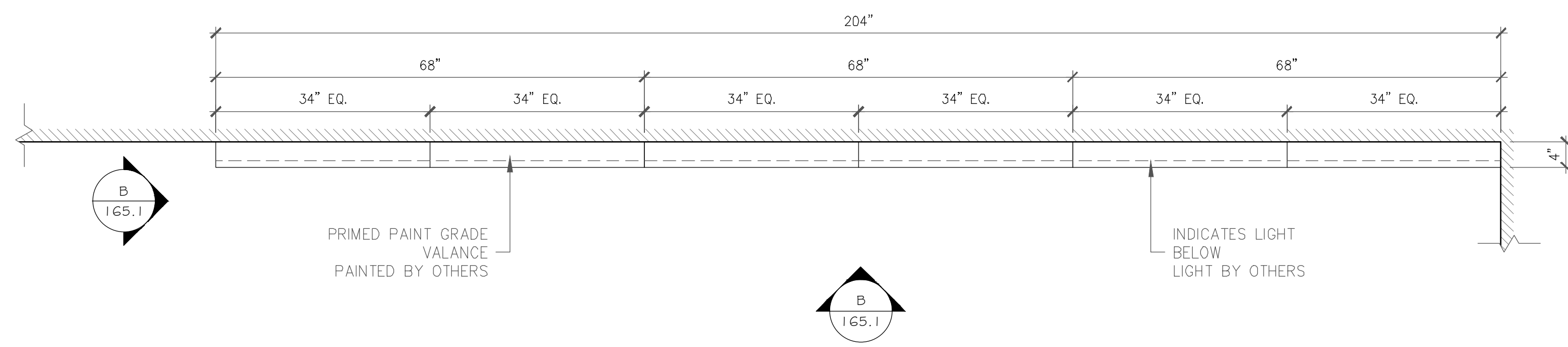
SCALE

AS NOTED
JOB NO.

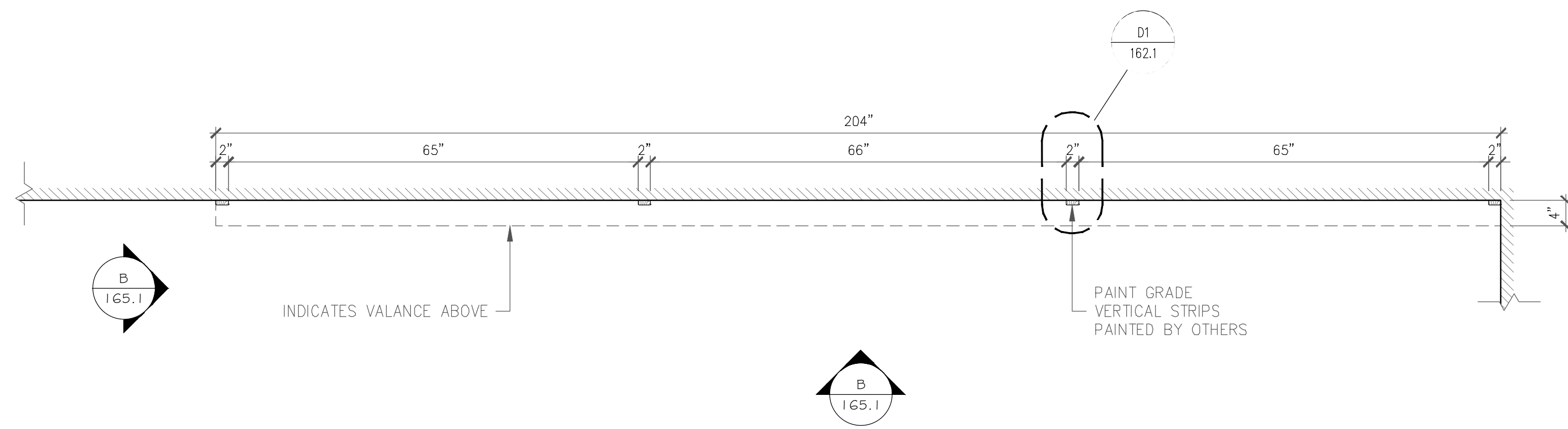
2129

SHEET
141.2

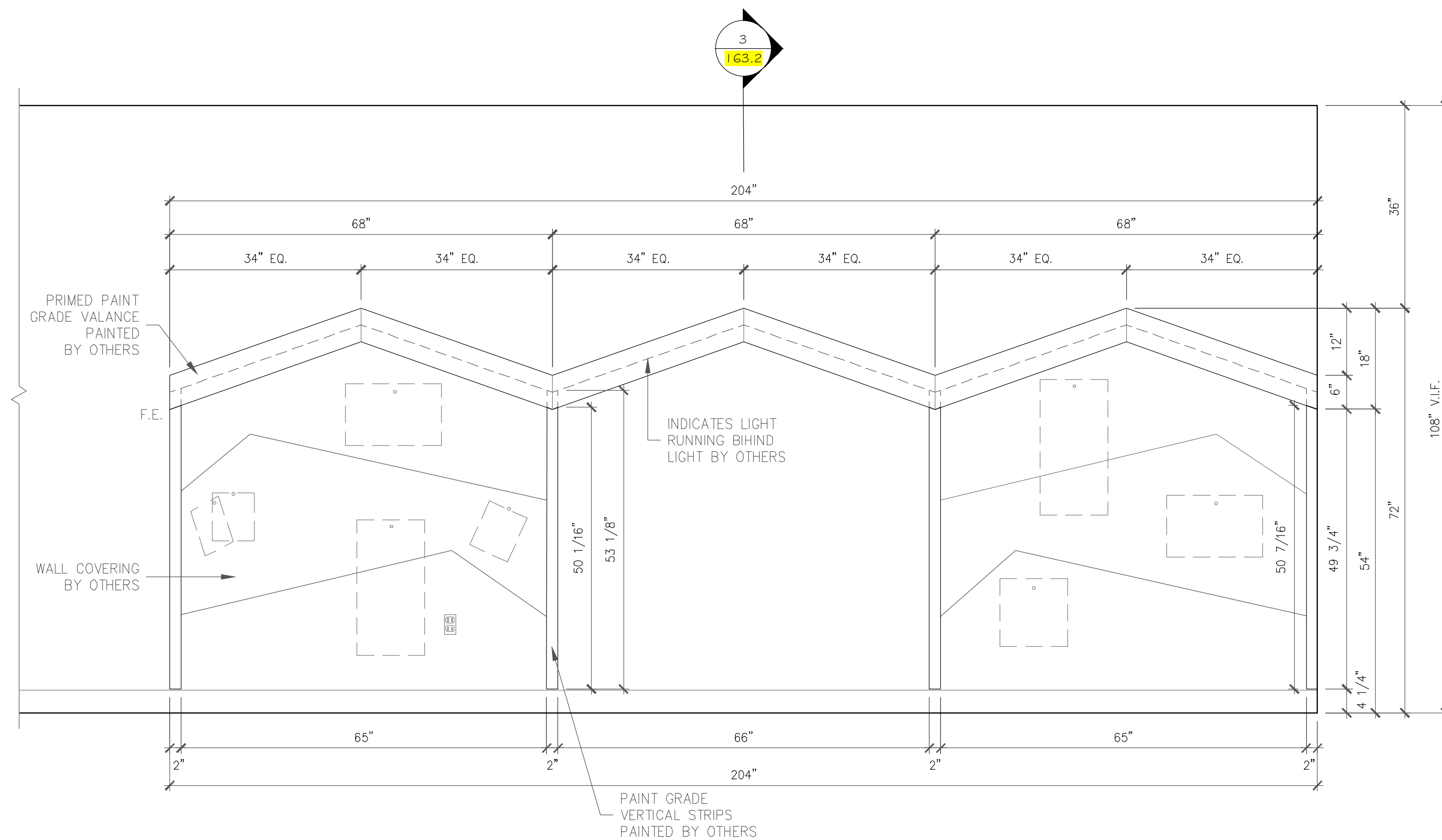
1 of 1



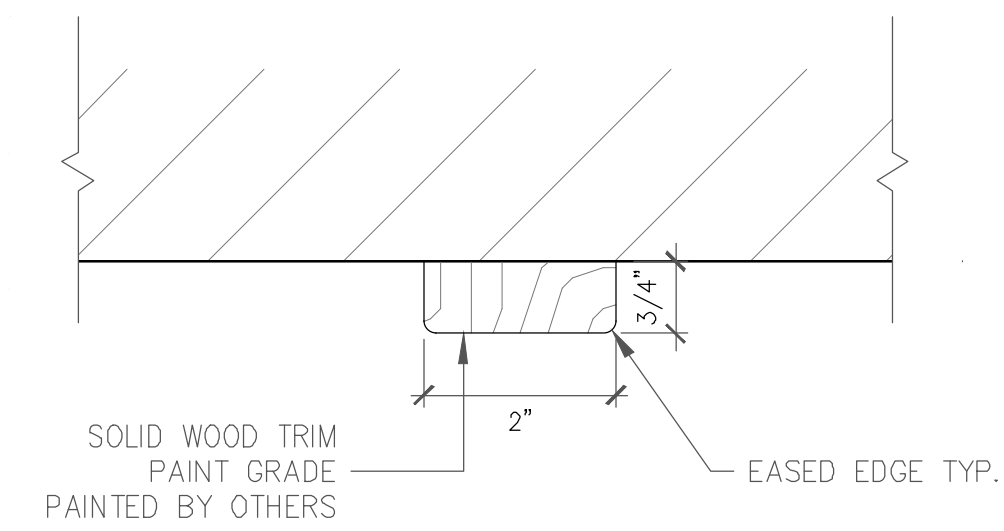
1 PLAN VIEW: CONCEALED LED SHADE VALANCE
 REF: 1/ID-CH1-DT-2.06A SCALE: 3/4" = 1'-0"



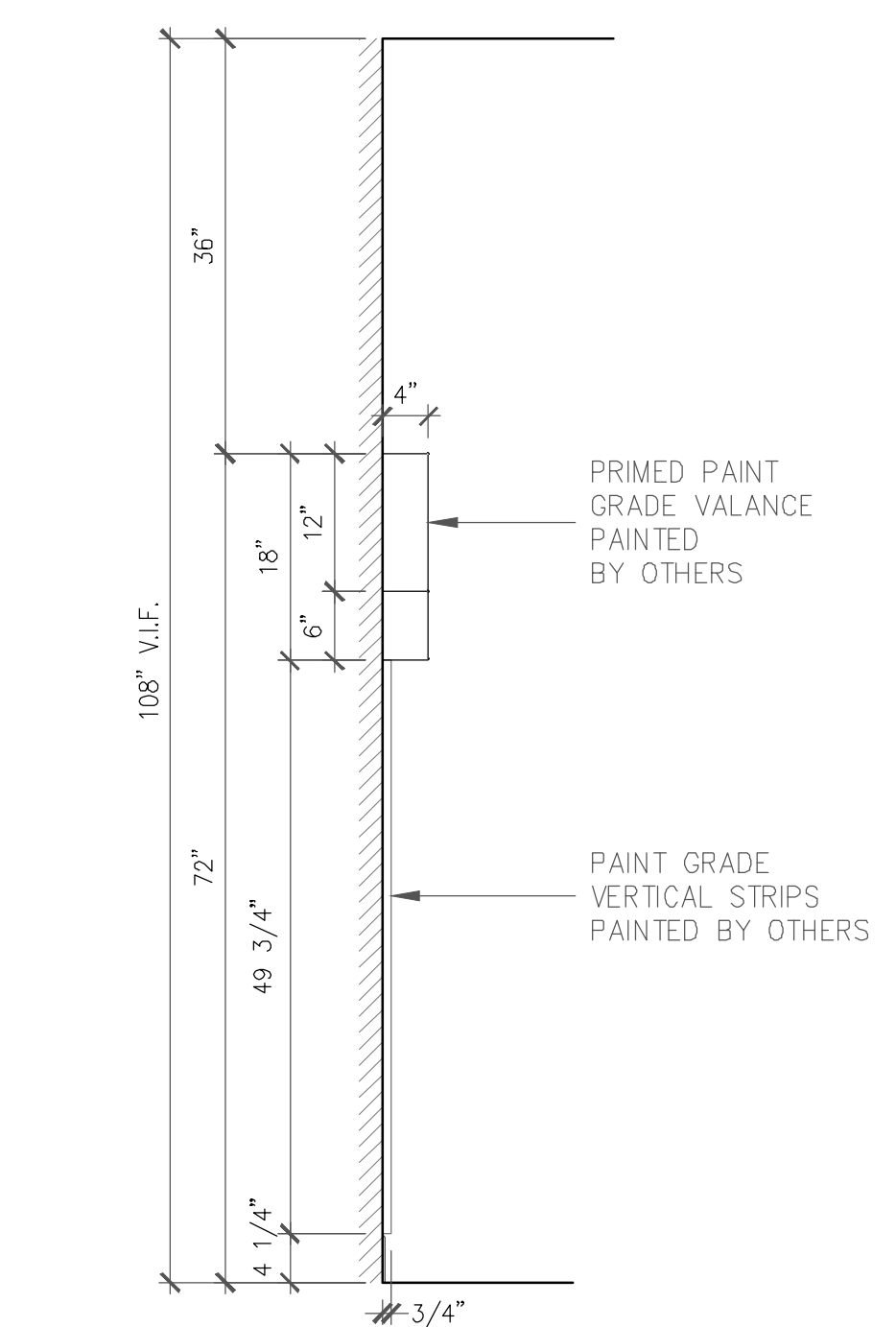
2 PLAN SECTION: CONCEALED LED SHADE VALANCE
 REF: 2/ID-CH1-DT-2.06A SCALE: 3/4" = 1'-0"



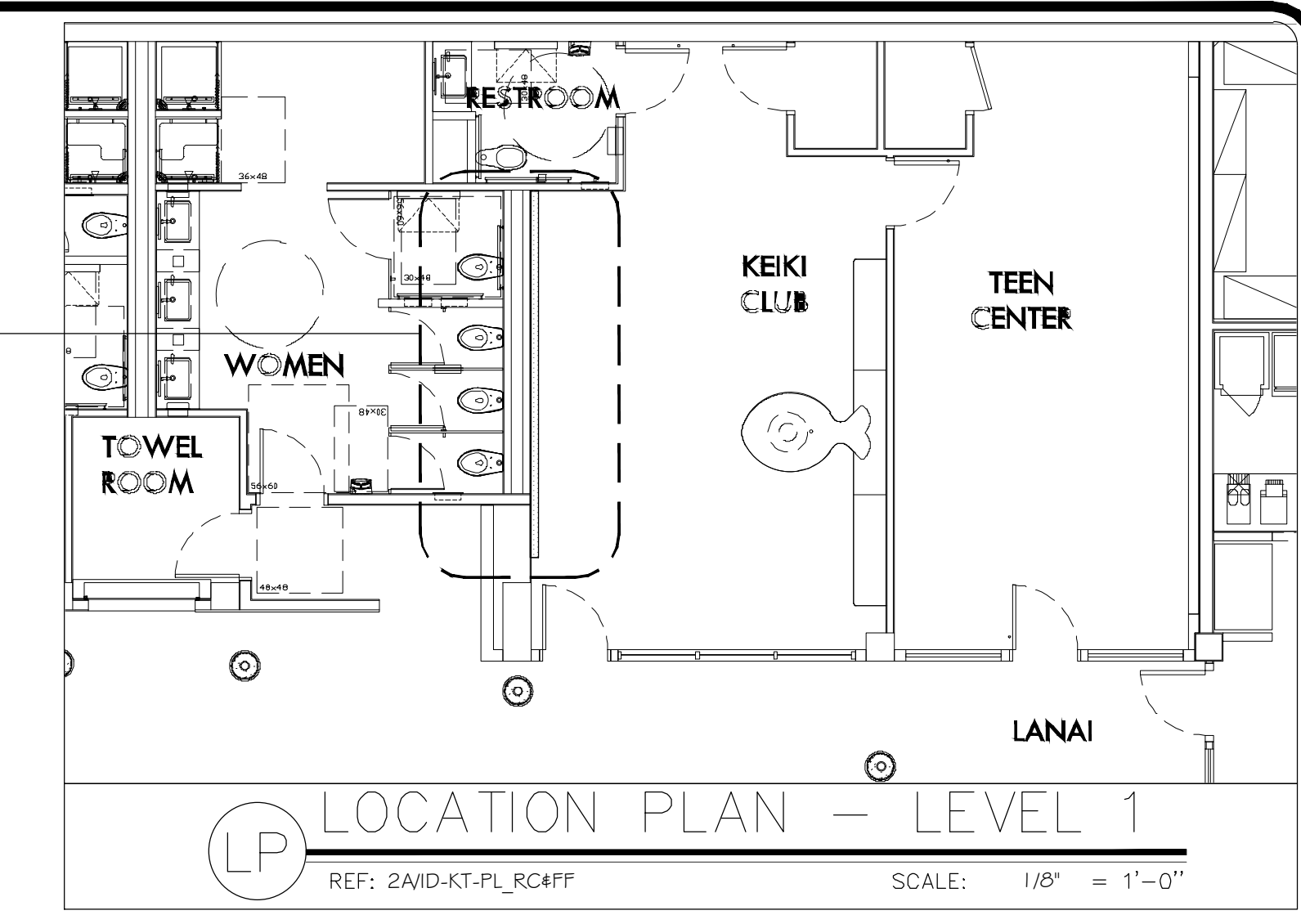
A ELEVATION: CONCEALED LED SHADE VALANCE
 REF: 3/ID-CH1-DT-2.06A SCALE: 3/4" = 1'-0"



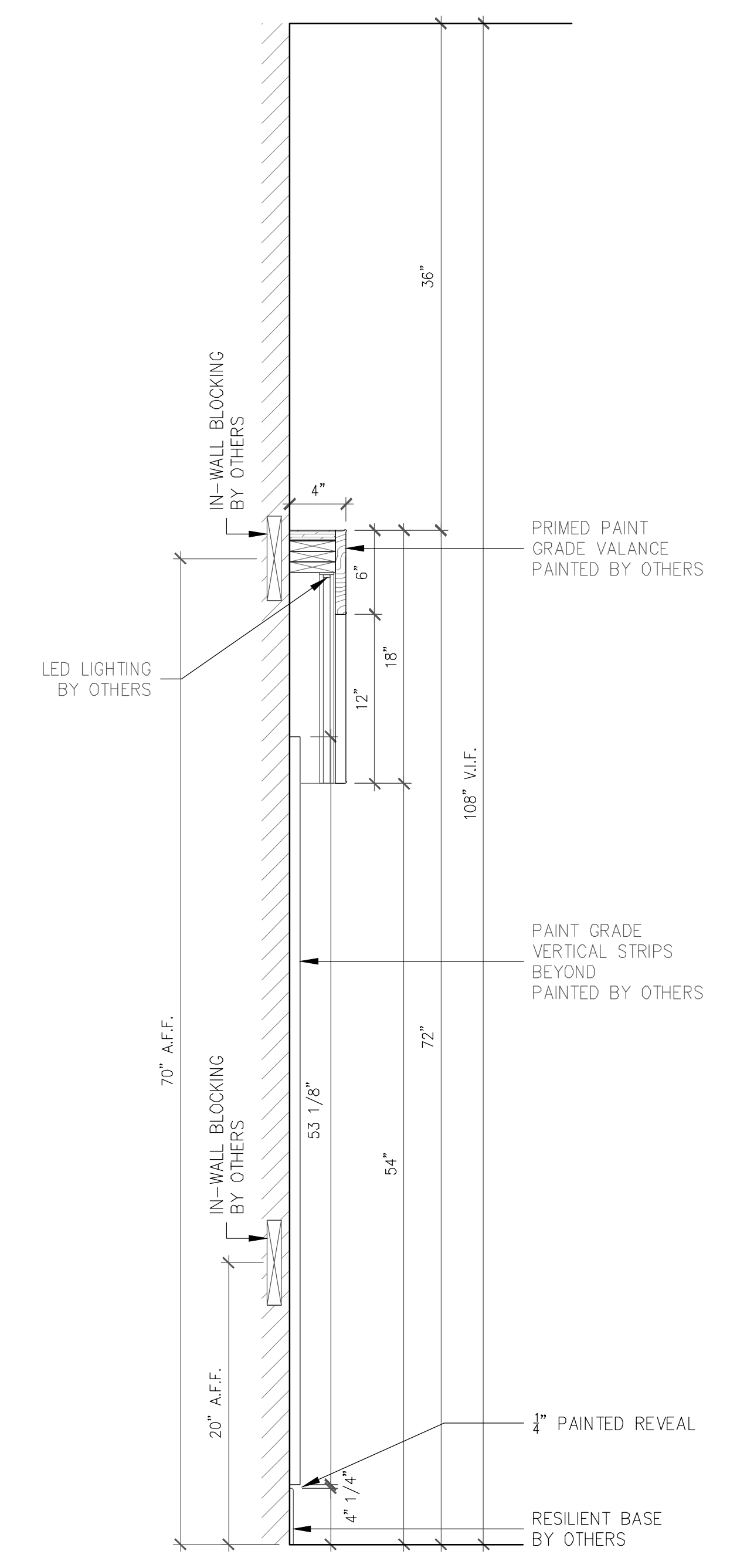
D1 DETAIL
 REF: 4/ID-CH1-DT-2.06A SCALE: 6" = 1'-0"



B ELEVATION
 REF: NONE SCALE: 3/4" = 1'-0"



LP LOCATION PLAN - LEVEL 1
 REF: 2/ID-KT-PL-RC#FF SCALE: 1/8" = 1'-0"



3 SECTION
 REF: 5/ID-CH1-DT-2.06A SCALE: 1-1/2" = 1'-0"

REVISIONS	BY

ITEM	LEVEL 1 CONCEALED LED SHADE VALANCE KEKIT CLUB
------	--

PROJECT	MAUI BAY VILLAS
LOCATION	KIHEI, MAUI, HAWAII

DRAWN	HD
CHECKED	RT
DATE	10/10/2019
SCALE	
AS NOTED	
JOB NO.	

2129
SHEET
165.1
1 of 2

REVISIONS	BY

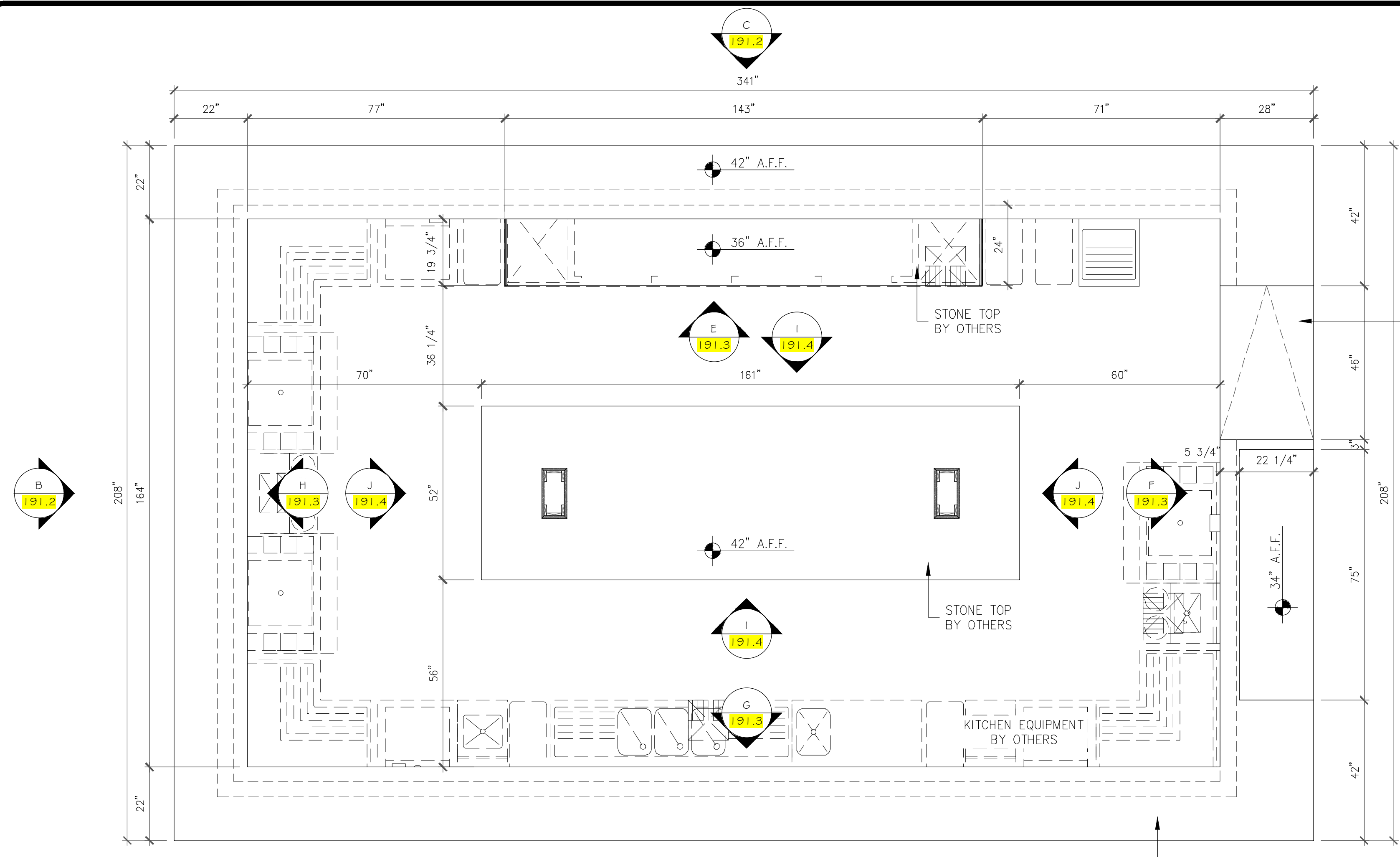
LEVEL 1 - POOL CLUBHOUSE
POOL BAR

PROJECT
MAUI BAY VILLAS

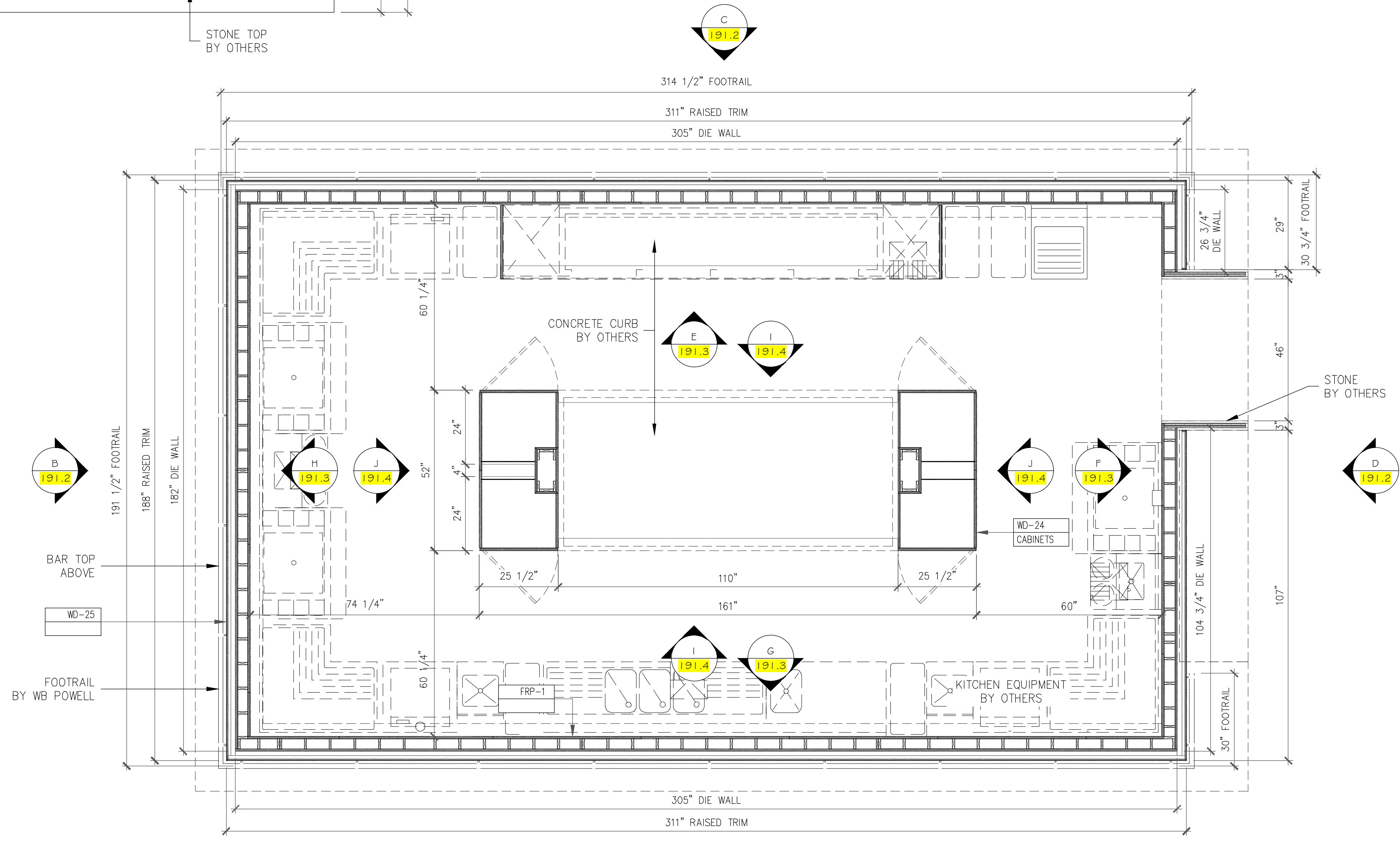
LOCATION
KIHEI, MAUI, HAWAII

DRAWN
HD
CHECKED
RT
DATE
10/10/2019
SCALE
AS NOTED
JOB NO.

2129
SHEET
191.1
1 of 5

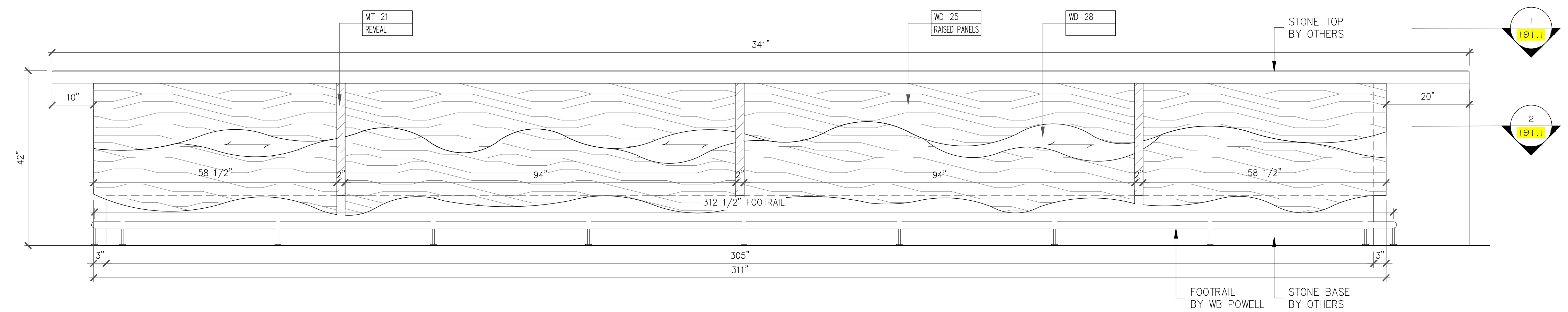


1 PLAN - POOL BAR
REF: 1/D-CH1-DT-3.00 SCALE: 1/2" = 1'-0"

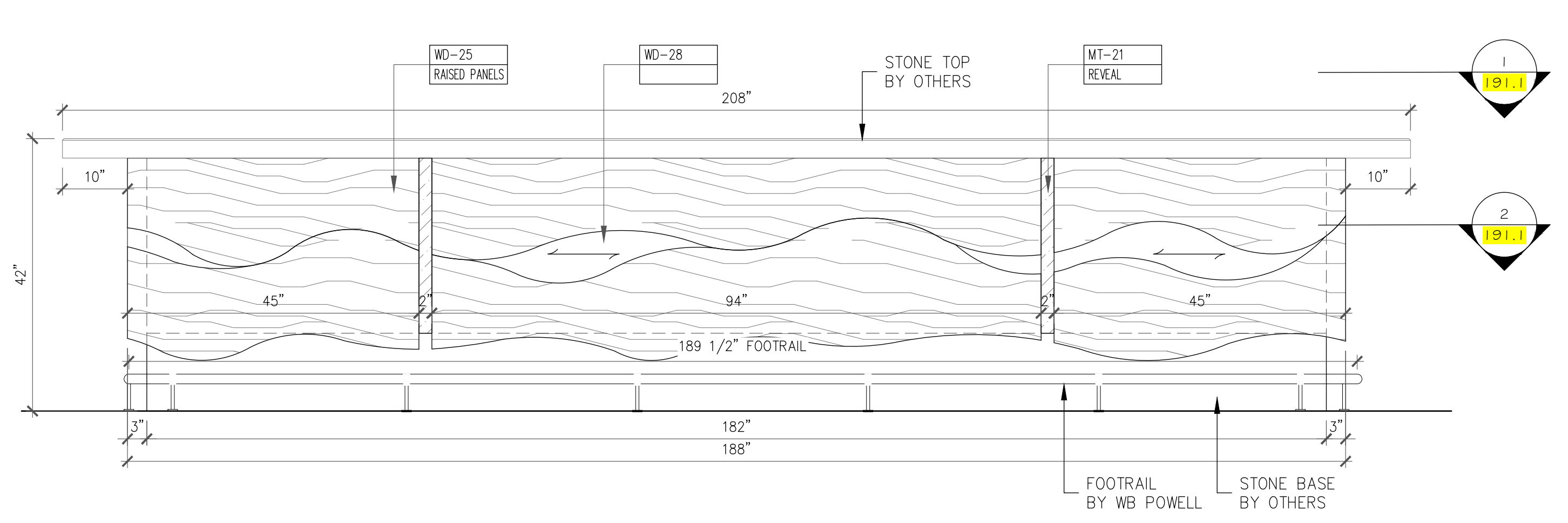


2 PLAN SECTION - POOL BAR
REF: 3/D-CH1-DT-3.00 SCALE: 1/2" = 1'-0"

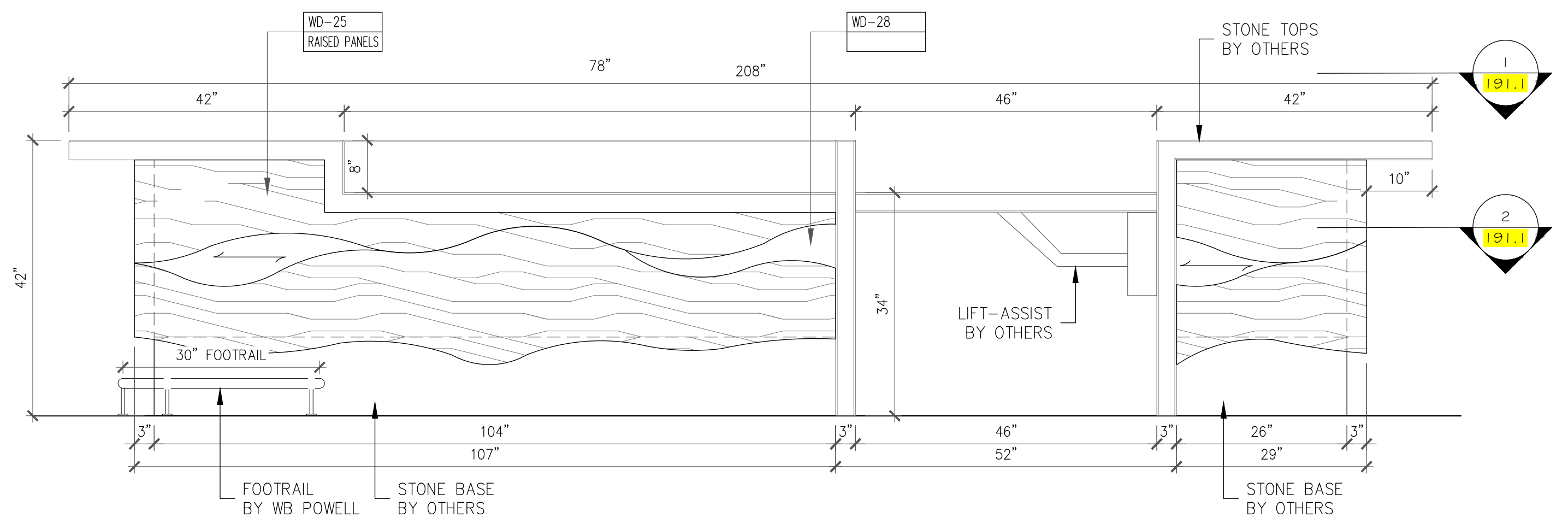
REVISIONS	BY



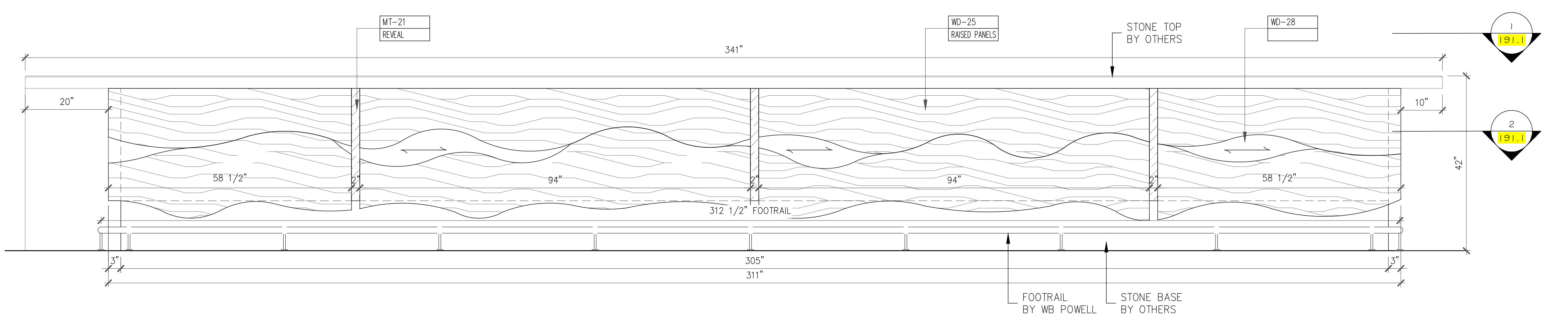
A ELEVATION: POOL BAR
 REF: 1/D-CHI-DT-3.01 SCALE: 3/4" = 1'-0"



B ELEVATION: POOL BAR
 REF: 3/D-CHI-DT-3.01 SCALE: 3/4" = 1'-0"



D ELEVATION: POOL BAR
 REF: 2/D-CHI-DT-3.01 SCALE: 3/4" = 1'-0"



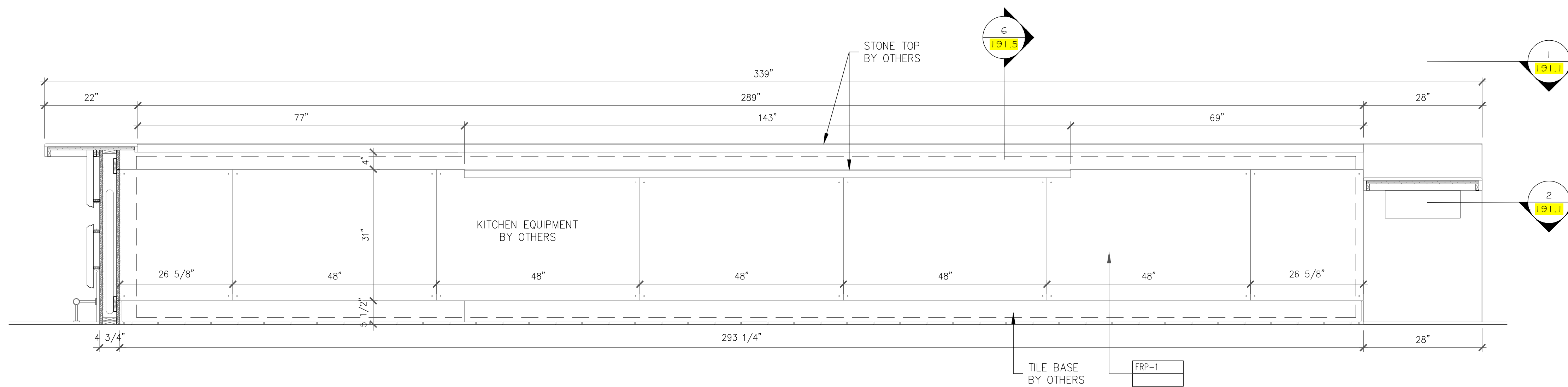
C ELEVATION: POOL BAR
 REF: 1/D-CHI-DT-3.01 SCALE: 3/4" = 1'-0"

LEVEL 1 - POOL CLUBHOUSE POOL BAR

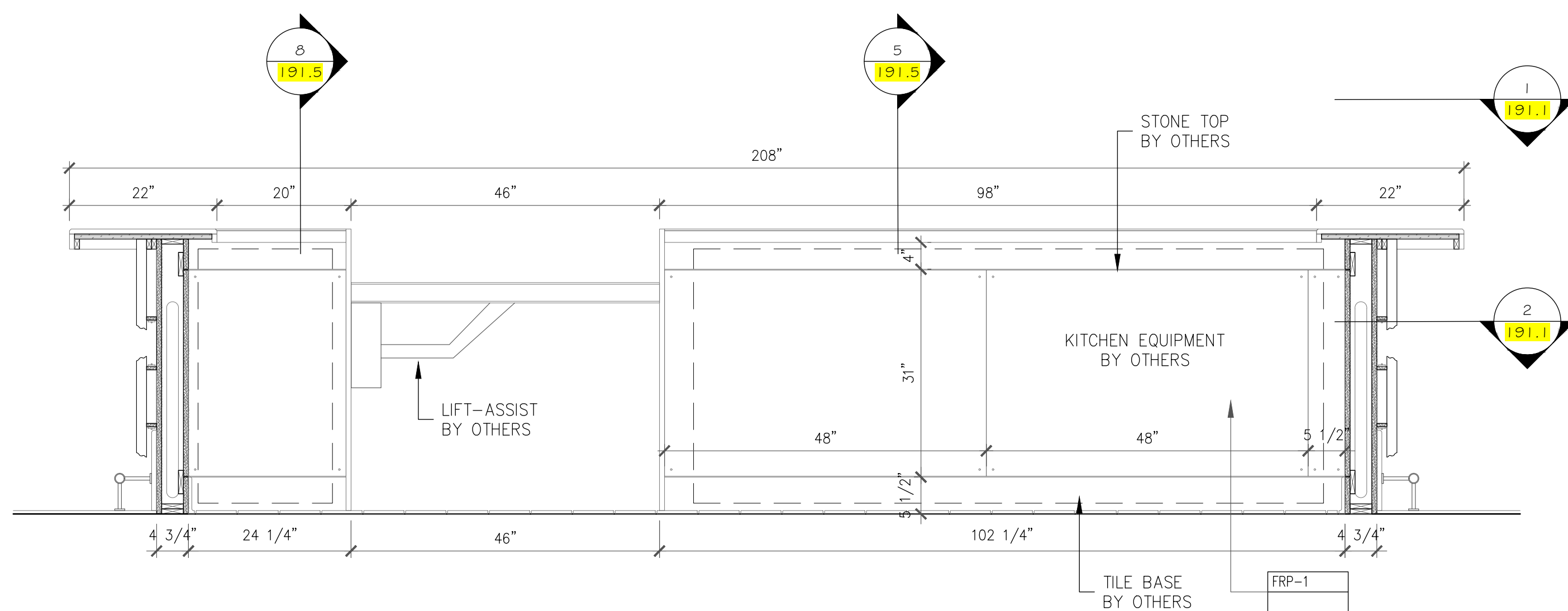
PROJECT: MAUI BAY VILLAS
 LOCATION: KIHUI, MAUI, HAWAII

DRAWN	HD
CHECKED	RT
DATE	10/10/2019
SCALE	AS NOTED
JOB NO.	2129
SHEET	191.2
2 of 5	

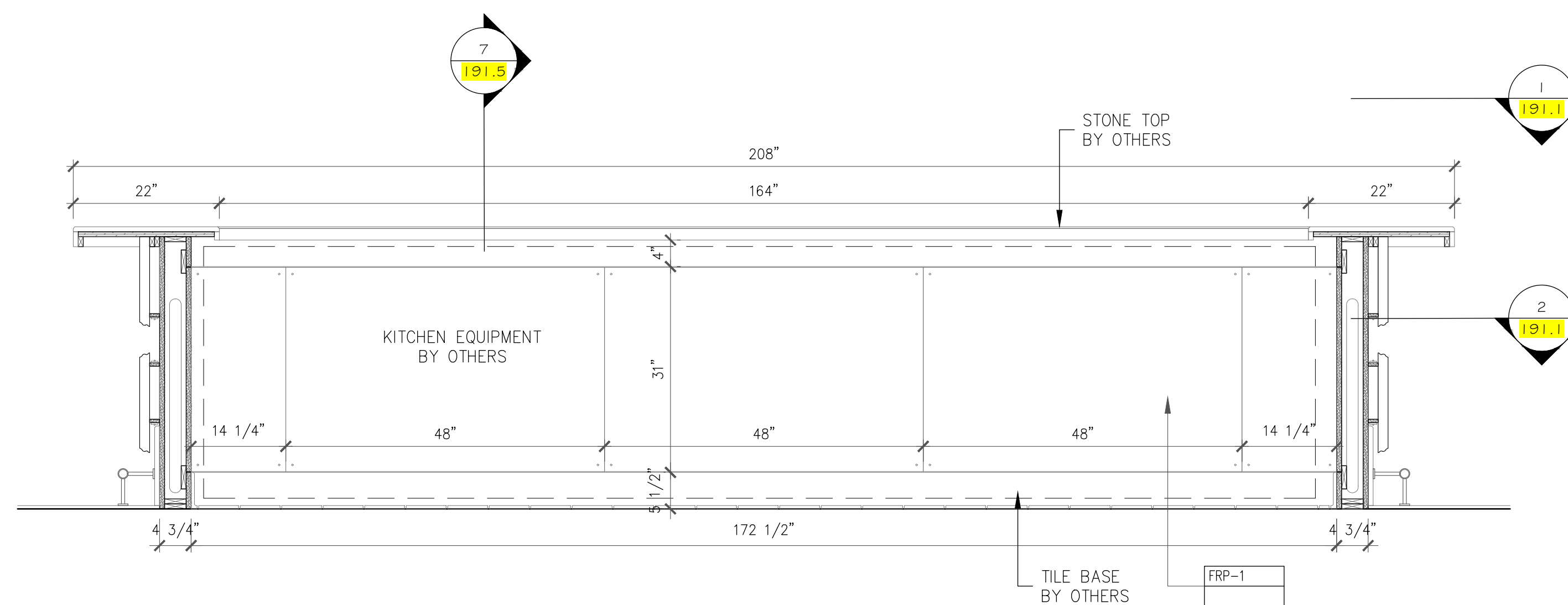
REVISIONS	BY



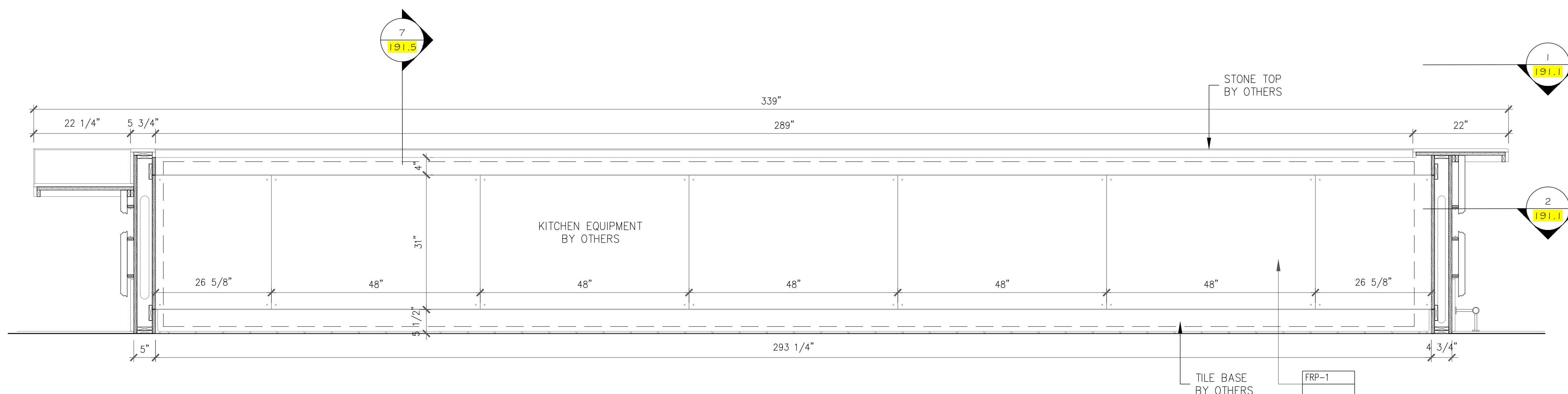
E ELEVATION: POOL BAR
 REF: 4/ID-CH1-DT-3.01 SCALE: 3/4" = 1'-0"



F ELEVATION: POOL BAR
 REF: 5/ID-CH1-DT-3.01 SCALE: 3/4" = 1'-0"



H ELEVATION: POOL BAR
 REF: 7/ID-CH1-DT-3.01 SCALE: 3/4" = 1'-0"



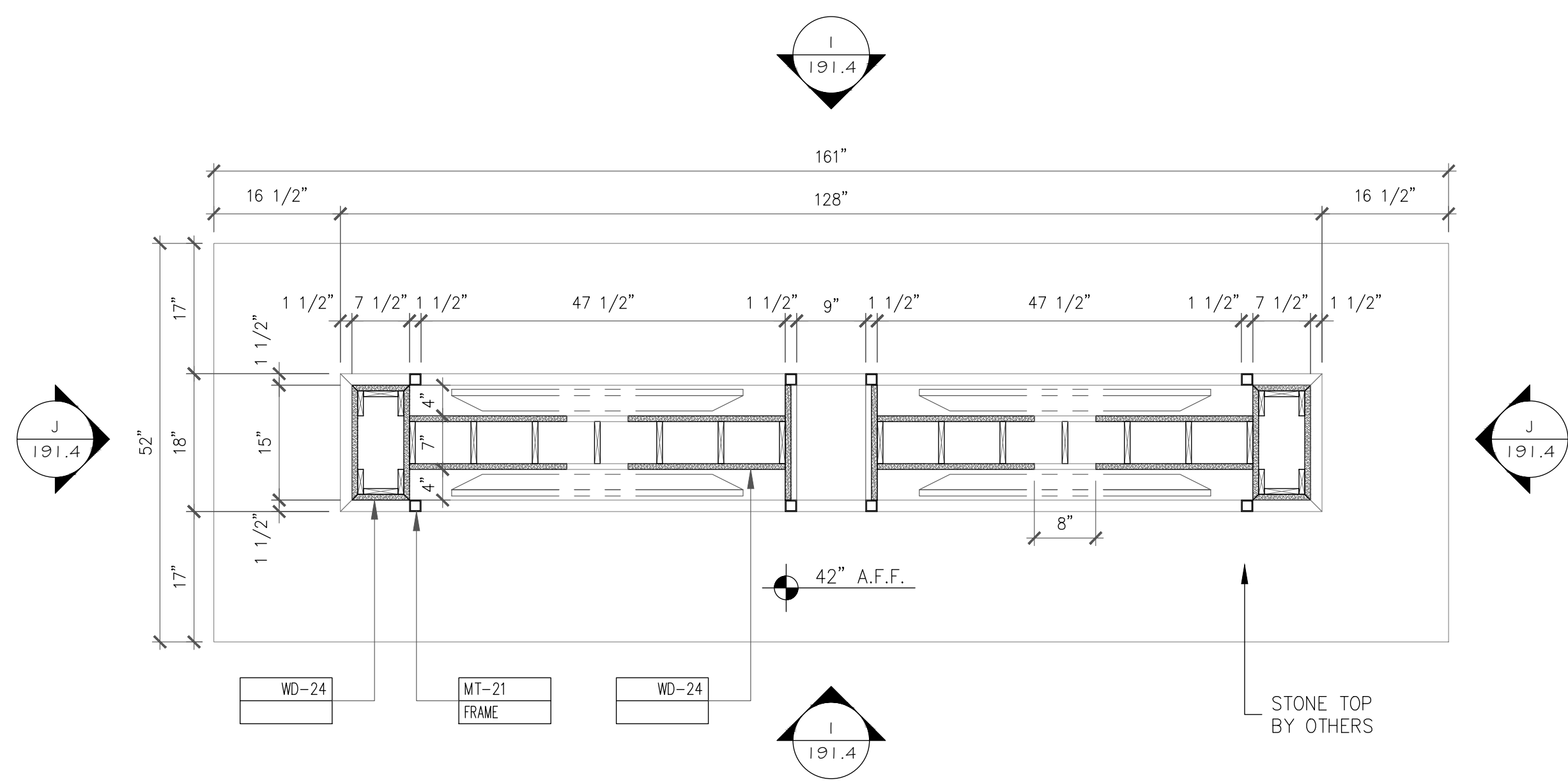
G ELEVATION: POOL BAR
 REF: 6/ID-CH1-DT-3.01 SCALE: 3/4" = 1'-0"

PROJECT: MAUI BAY VILLAS
 LOCATION: KIHUI, MAUI, HAWAII

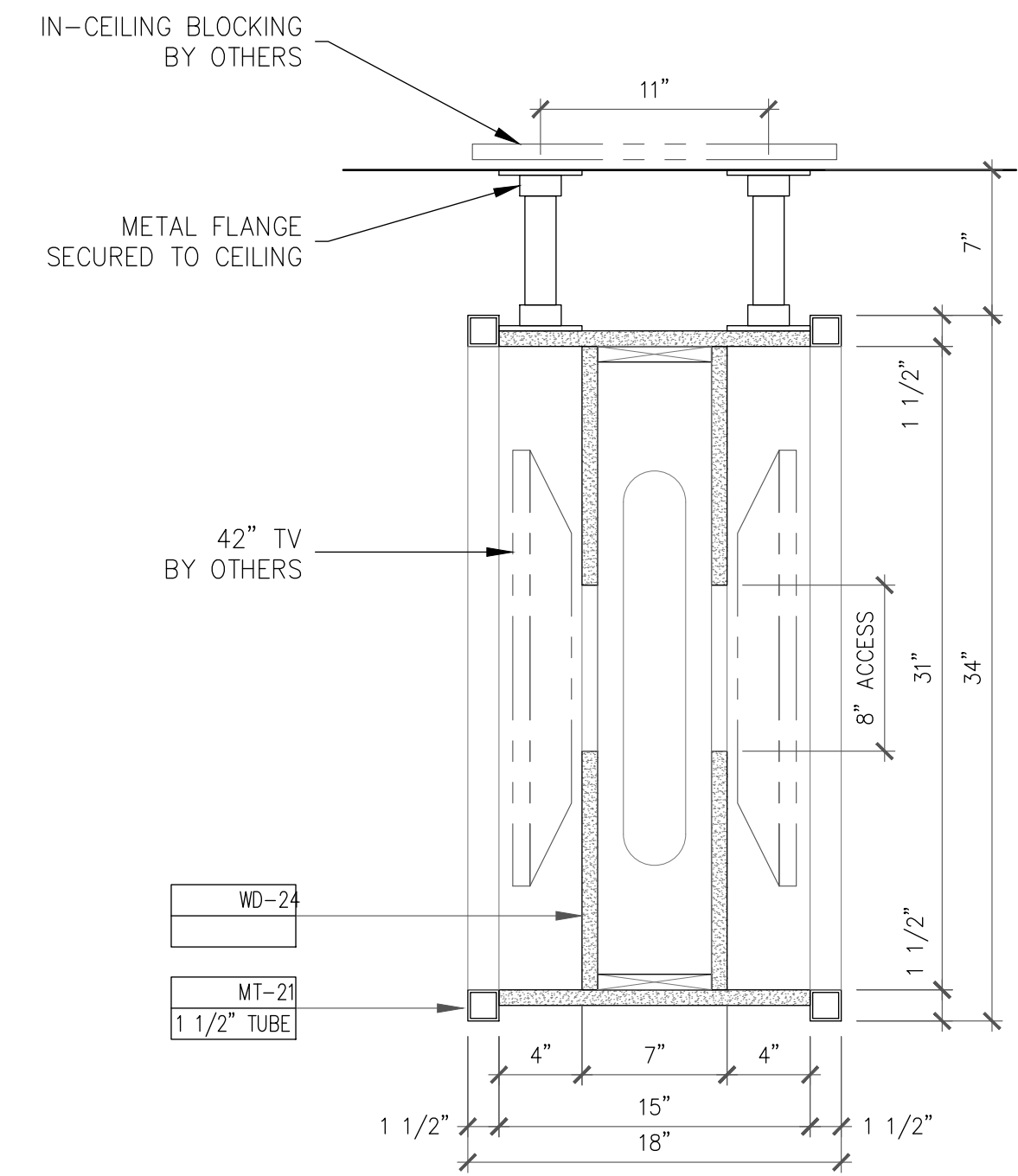
ITEM: LEVEL 1 - POOL CLUBHOUSE POOL BAR

PROJECT: MAUI BAY VILLAS
 LOCATION: KIHUI, MAUI, HAWAII

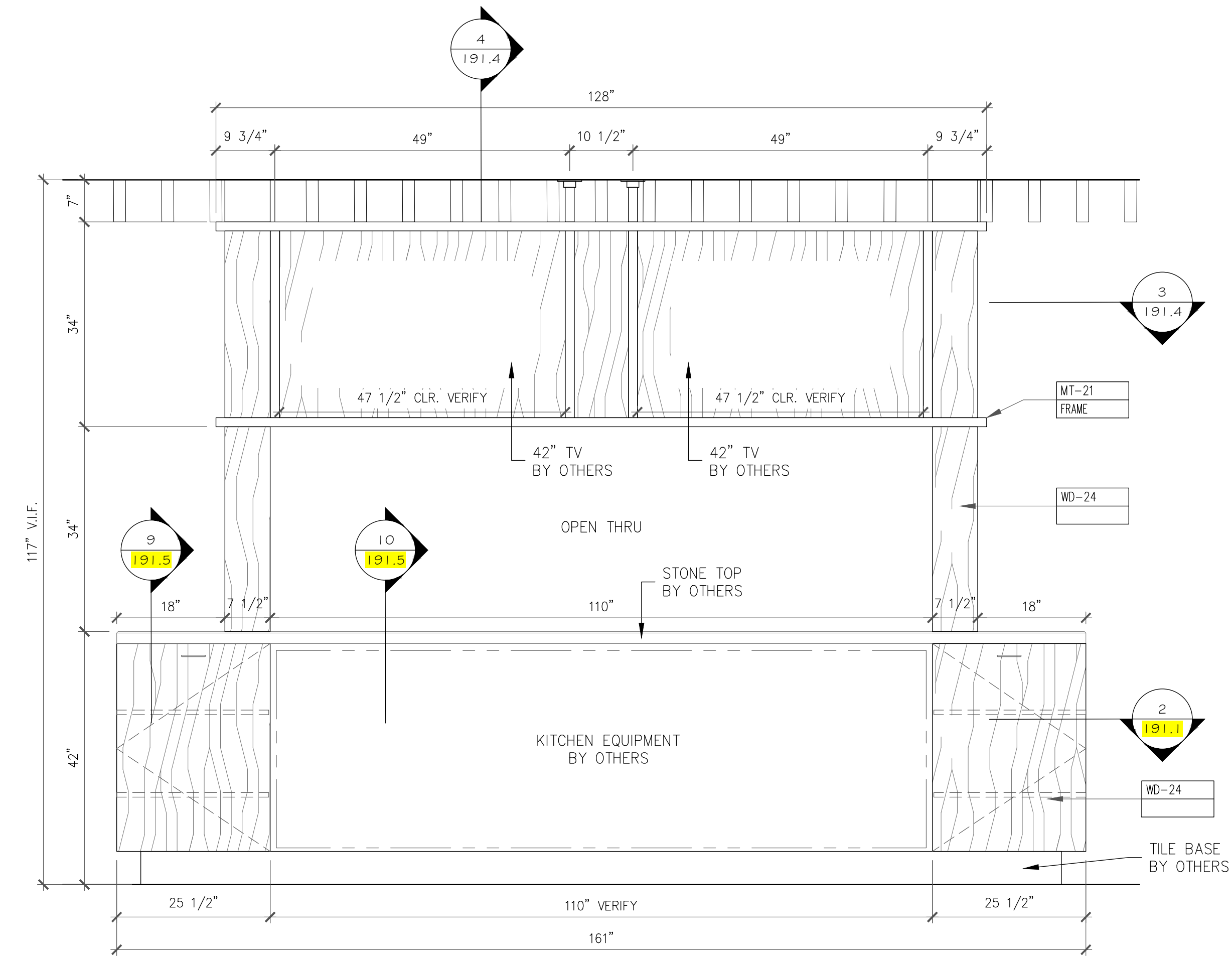
DRAWN	HD
CHECKED	RT
DATE	10/10/2019
SCALE	AS NOTED
JOB NO.	2129
SHEET	191.3
3 of 5	



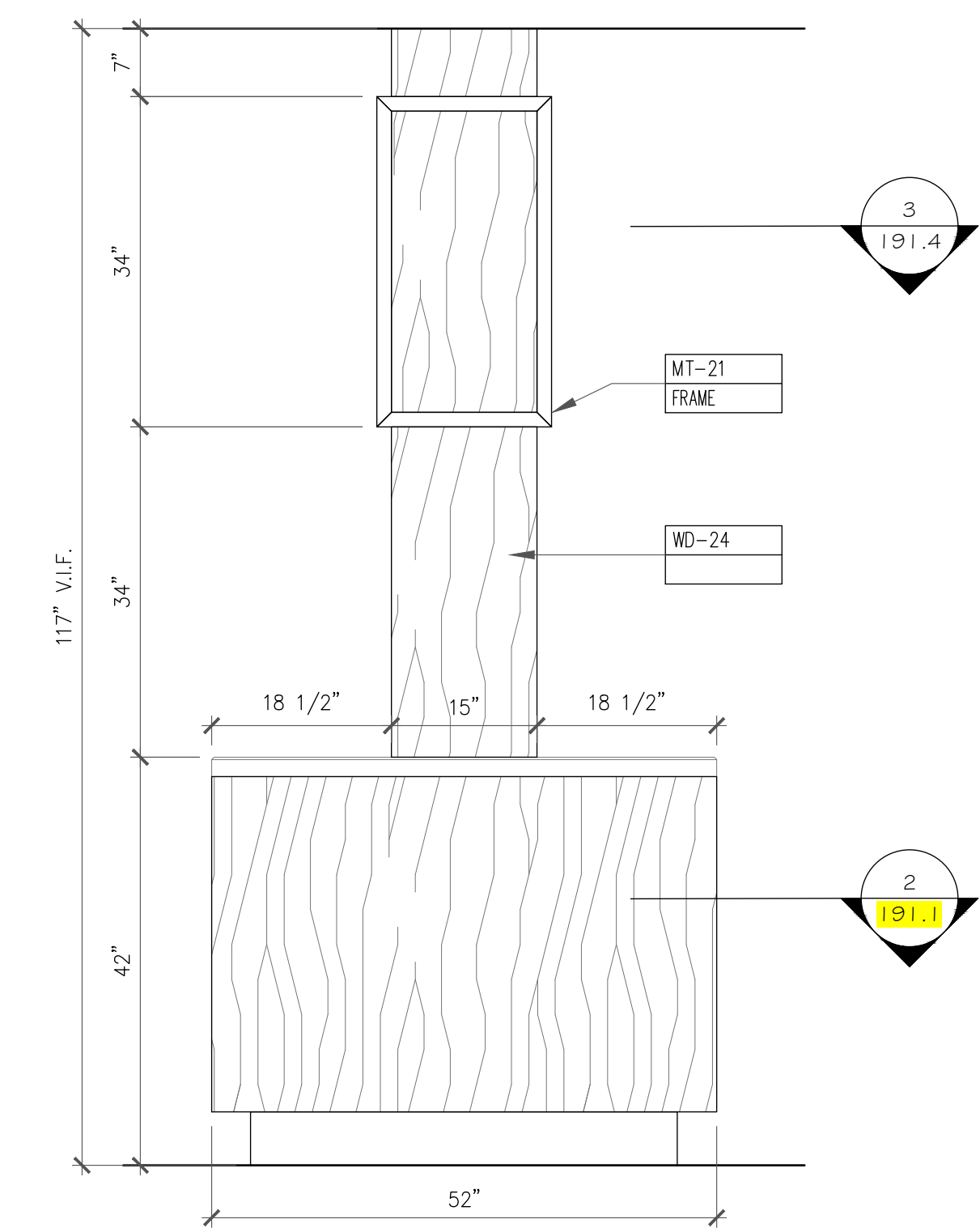
3 PLAN SECTION: POOL BACK BAR
 REF: 1/ID-CH1-DT-3.03 SCALE: 3/4" = 1'-0"



4 SECTION
 REF: 5/ID-CH1-DT-3.03 SCALE: 1-1/2" = 1'-0"



I ELEVATION: POOL BACK BAR
 REF: 3/ID-CH1-DT-3.03 SCALE: 3/4" = 1'-0"



J ELEVATION: POOL BACK BAR
 REF: 4/ID-CH1-DT-3.03 SCALE: 3/4" = 1'-0"

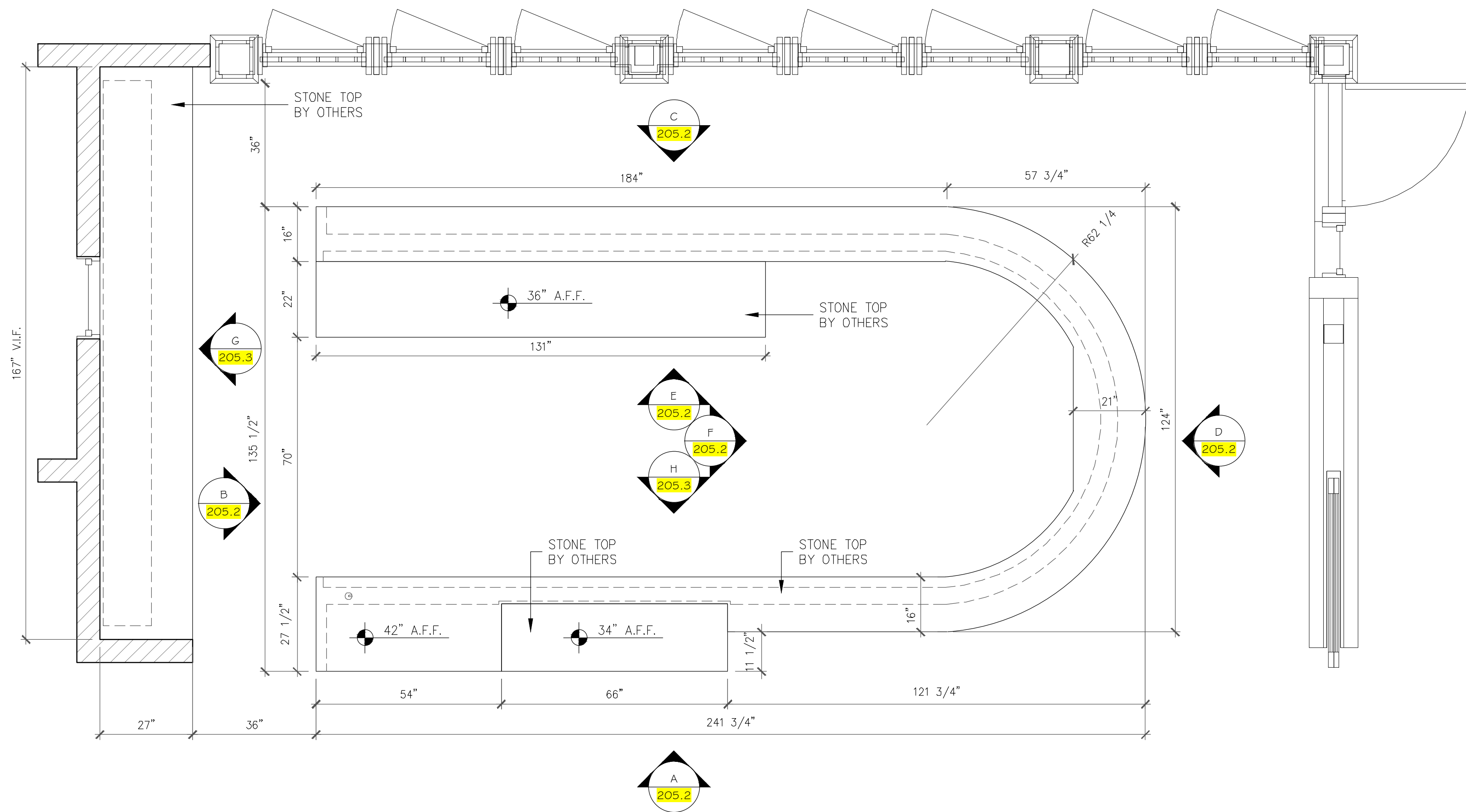
REVISIONS	BY

LEVEL 1 - POOL CLUBHOUSE POOL BAR

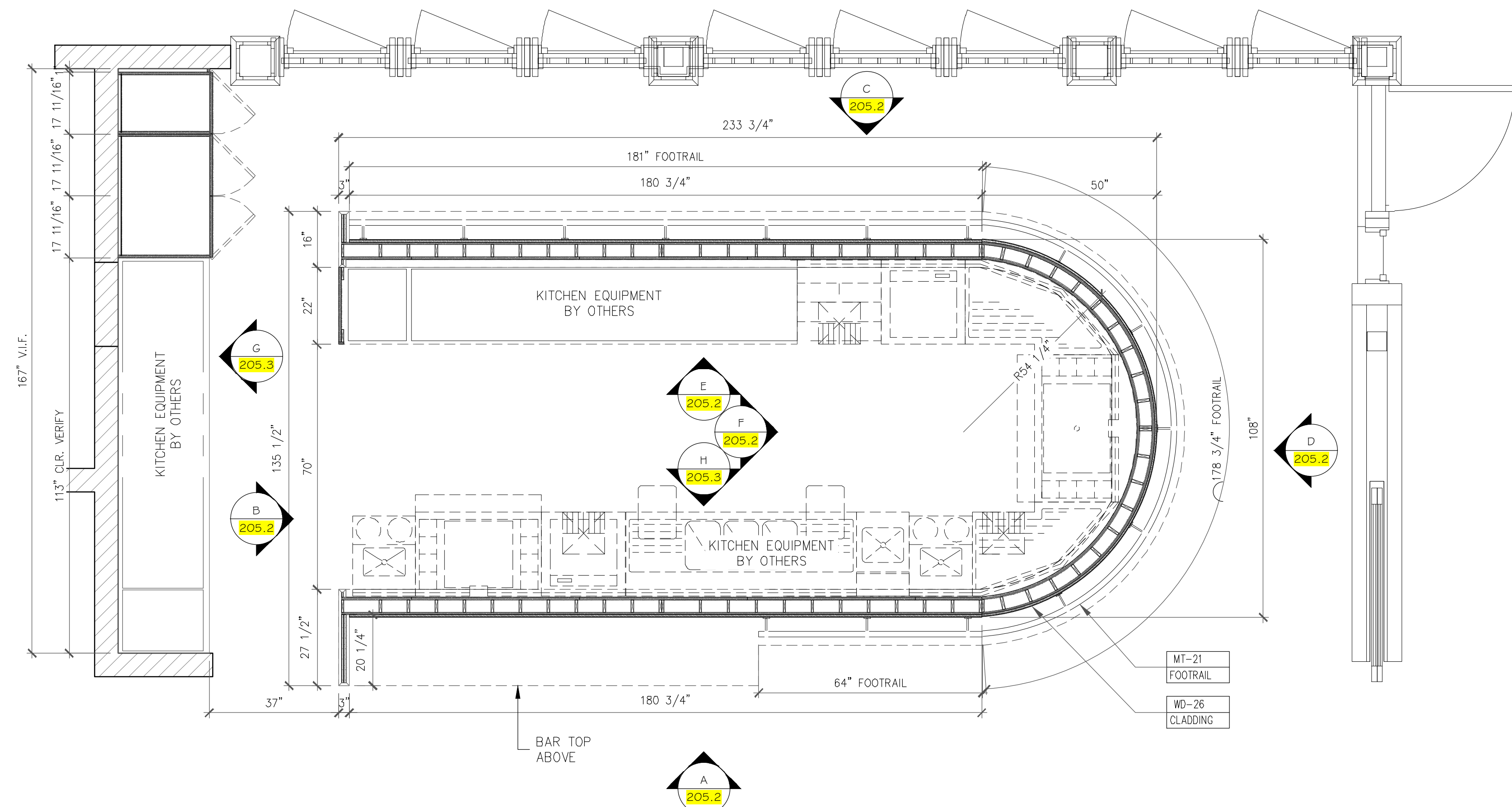
PROJECT: MAUI BAY VILLAS
 LOCATION: KIHAI, MAUI, HAWAII

DRAWN: HD
 CHECKED: RT
 DATE: 10/10/2019
 SCALE: AS NOTED
 JOB NO.: 2129

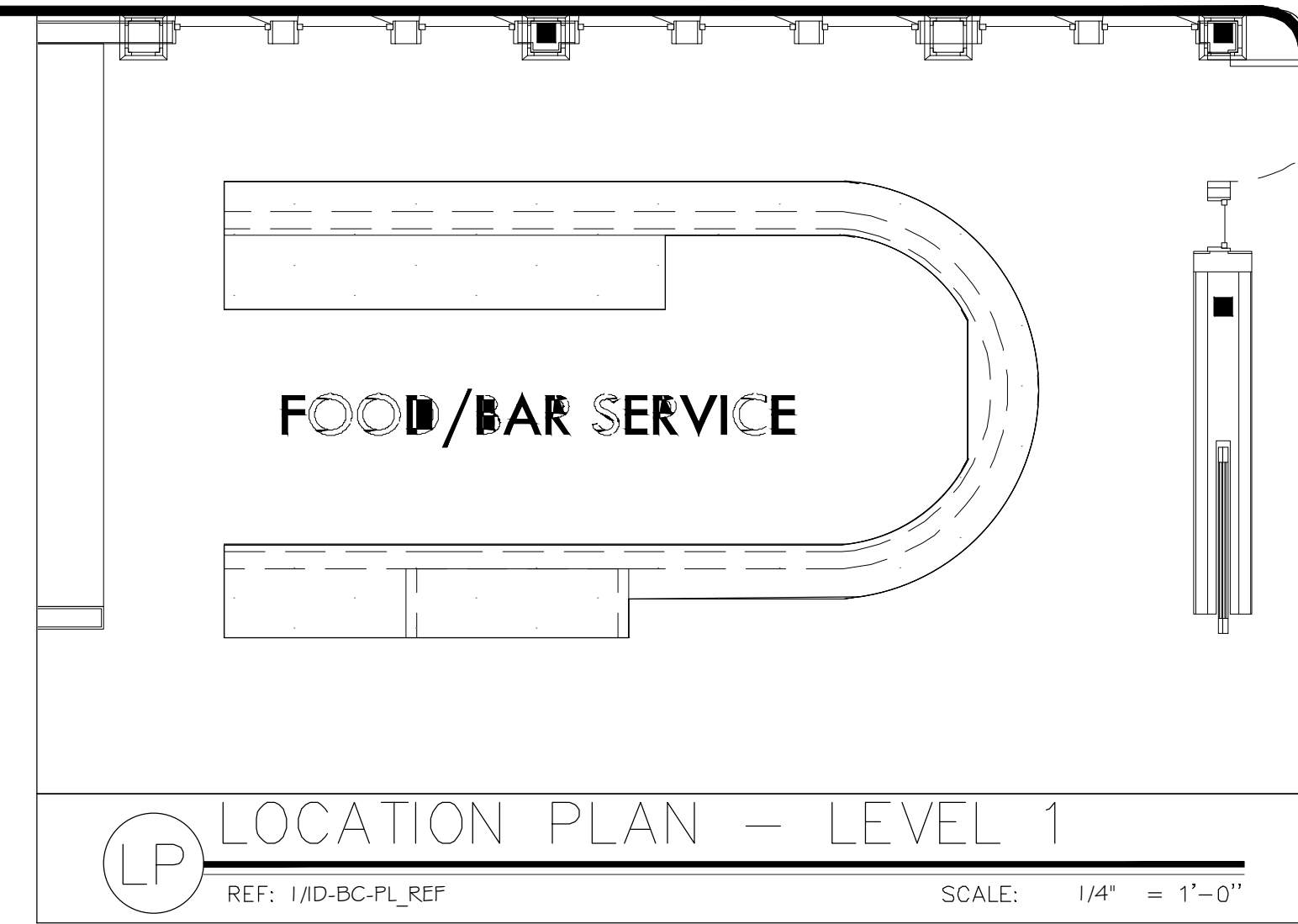
SHEET: 191.4
 4 of 5



1 PLAN - BEACH CLUB BAR
 REF: I/ID-BC-DT-3.04 SCALE: 1/2" = 1'-0"



2 PLAN SECTION - BEACH CLUB BAR
 REF: I/ID-BC-DT-3.04 SCALE: 1/2" = 1'-0"



REVISIONS	BY

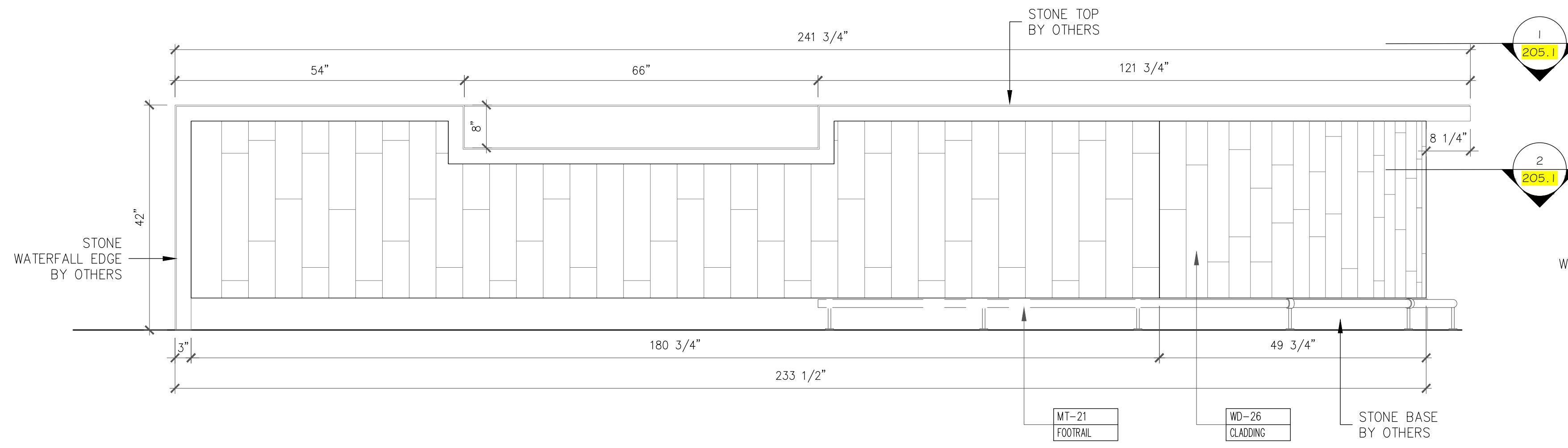
PROJECT: MAUI BAY VILLAS
 LOCATION: KIHEI, MAUI, HAWAII

ITEM: LEVEL 1 BEACH CLUB BAR

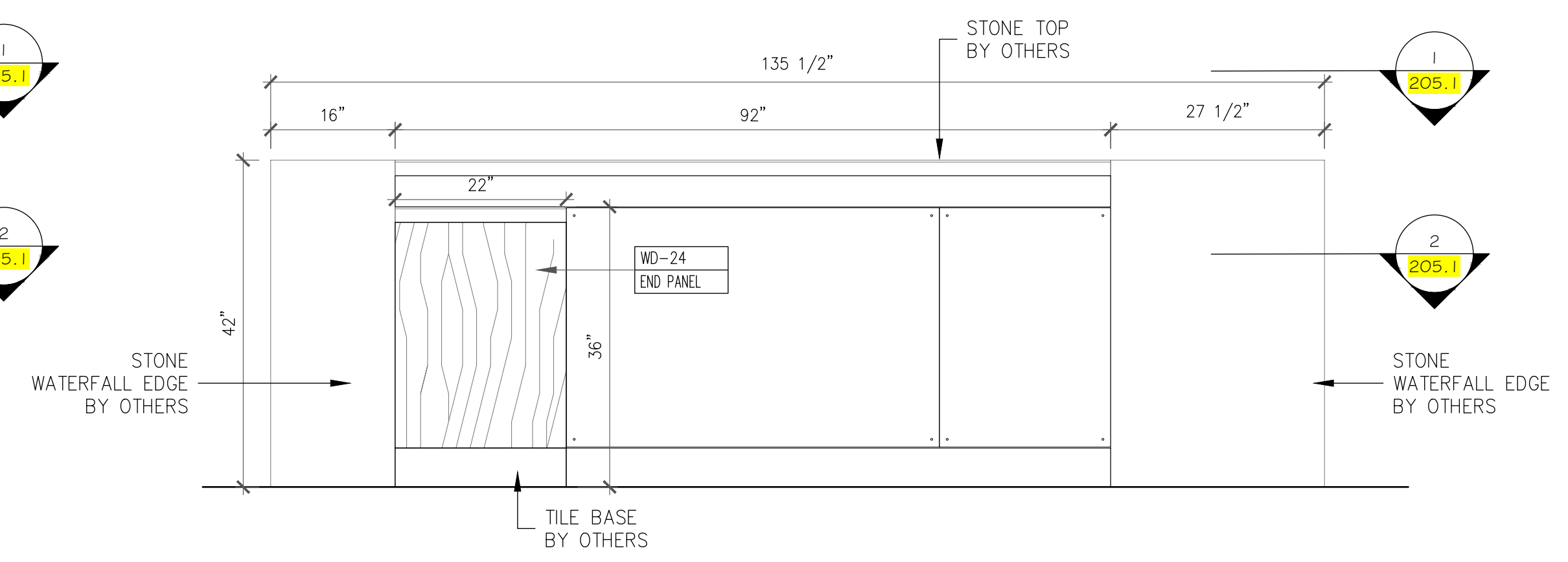
PROJECT: MAUI BAY VILLAS
 LOCATION: KIHEI, MAUI, HAWAII

DRAWN	HD
CHECKED	RT
DATE	10/10/2019
SCALE	AS NOTED
JOB NO.	2129
SHEET	205.1
1 of 4	

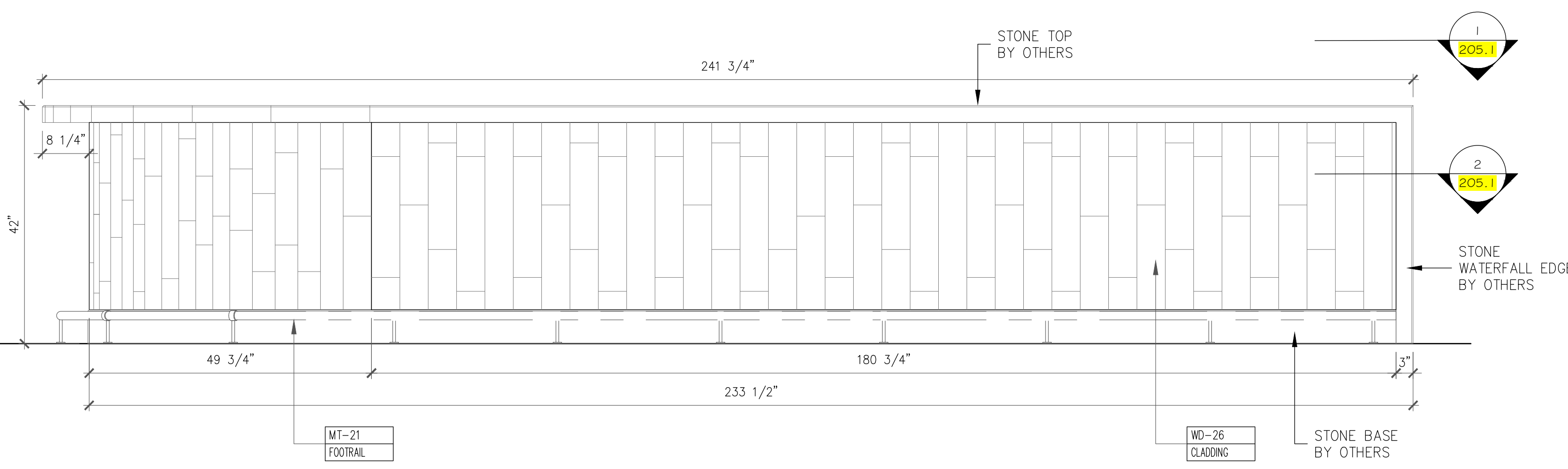
REVISIONS	BY



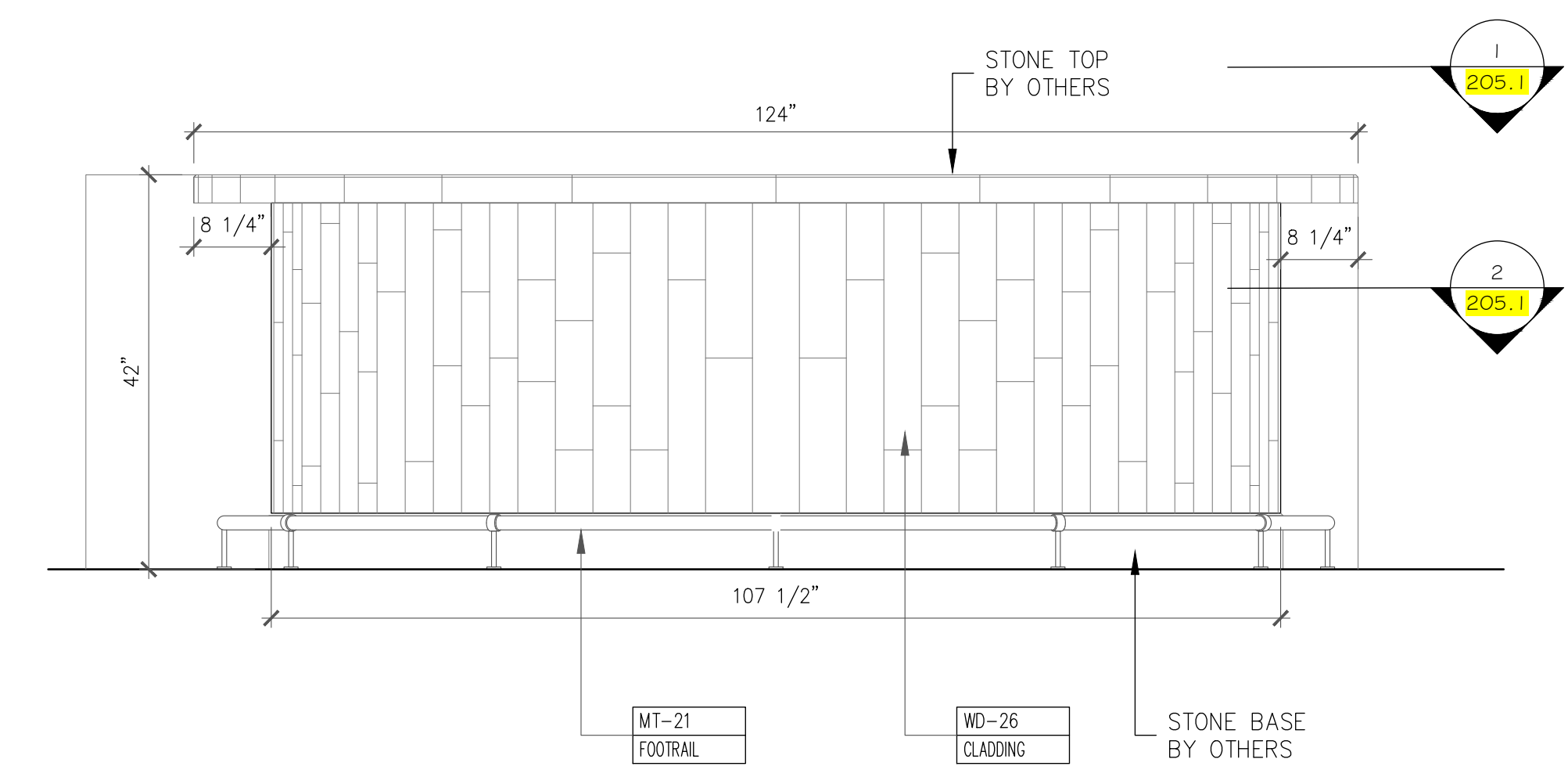
A ELEVATION: BEACH CLUB BAR
 REF: 1/ID-BC-DT-3.05 SCALE: 3/4" = 1'-0"



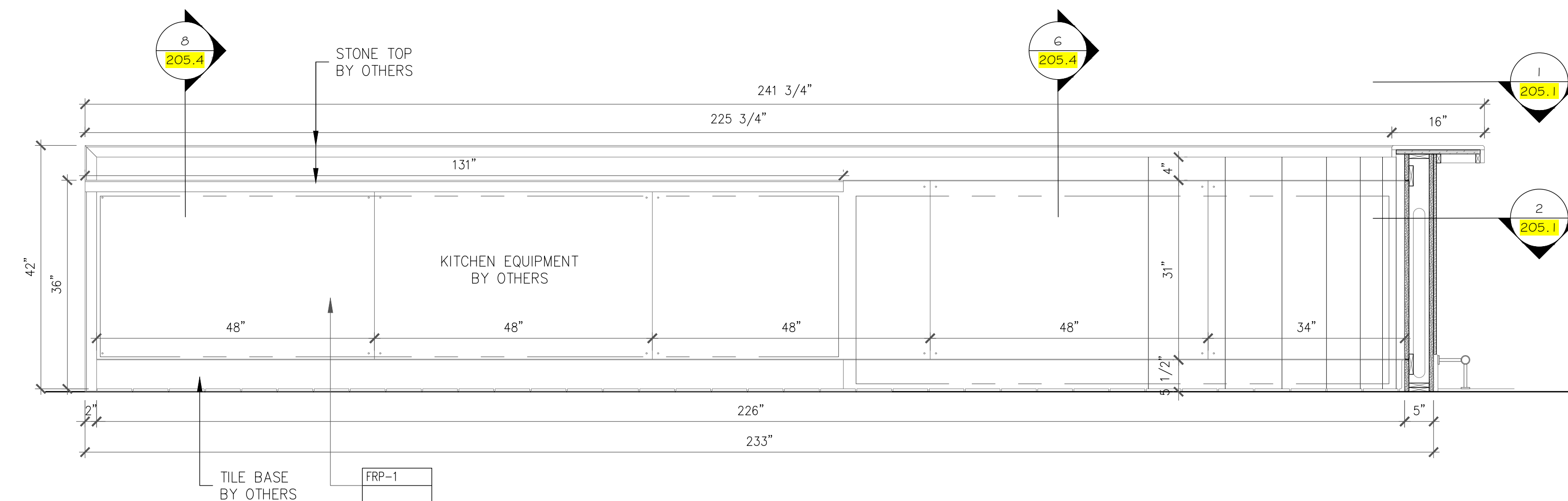
B ELEVATION: BEACH CLUB BAR
 REF: 4/ID-BC-DT-3.05 SCALE: 3/4" = 1'-0"



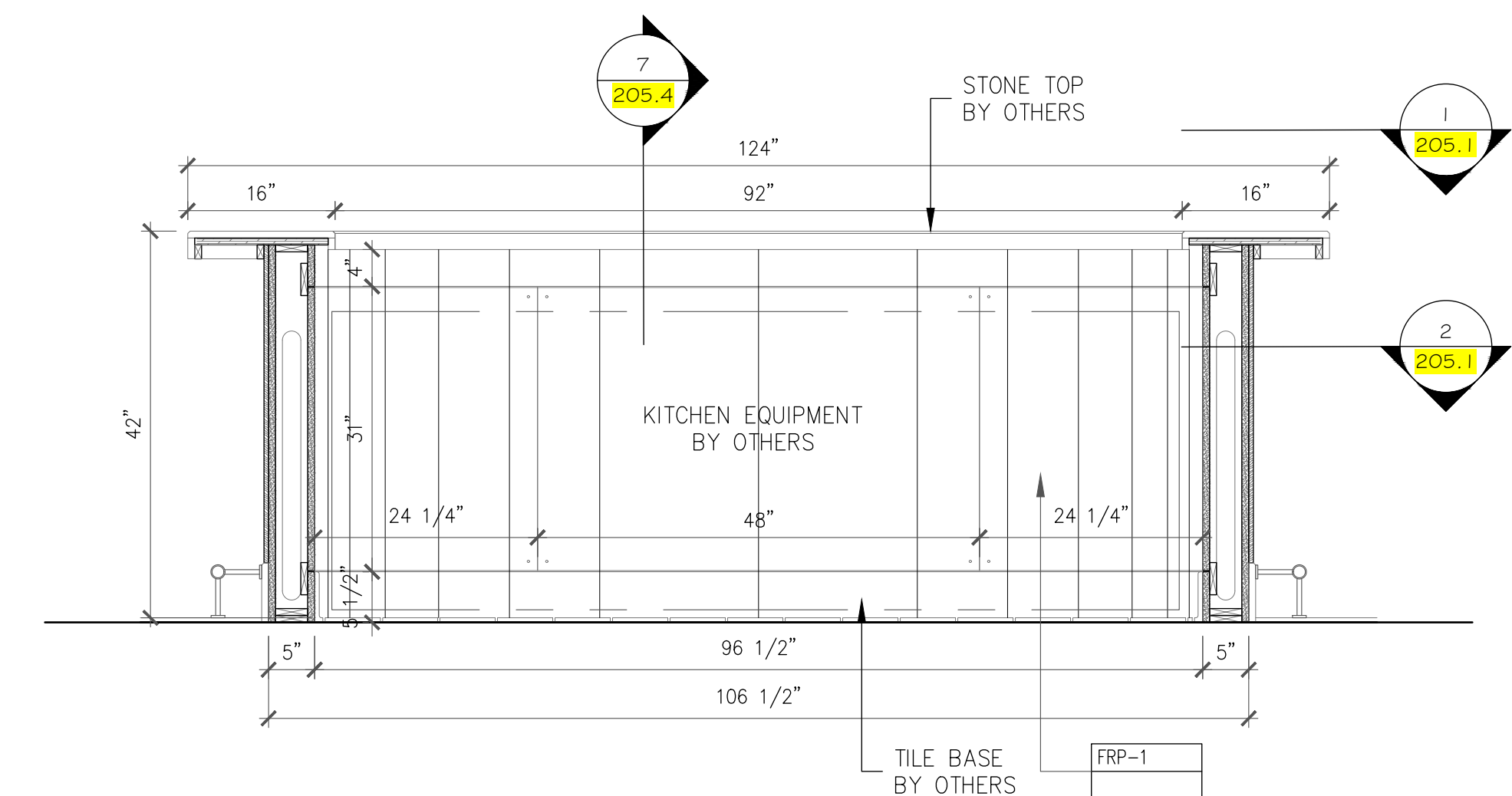
C ELEVATION: BEACH CLUB BAR
 REF: 3/ID-BC-DT-3.05 SCALE: 3/4" = 1'-0"



D ELEVATION: BEACH CLUB BAR
 REF: 2/ID-BC-DT-3.05 SCALE: 3/4" = 1'-0"



E ELEVATION: BEACH CLUB BAR
 REF: 5/ID-BC-DT-3.05 SCALE: 3/4" = 1'-0"



F ELEVATION: BEACH CLUB BAR
 REF: 6/ID-BC-DT-3.05 SCALE: 3/4" = 1'-0"

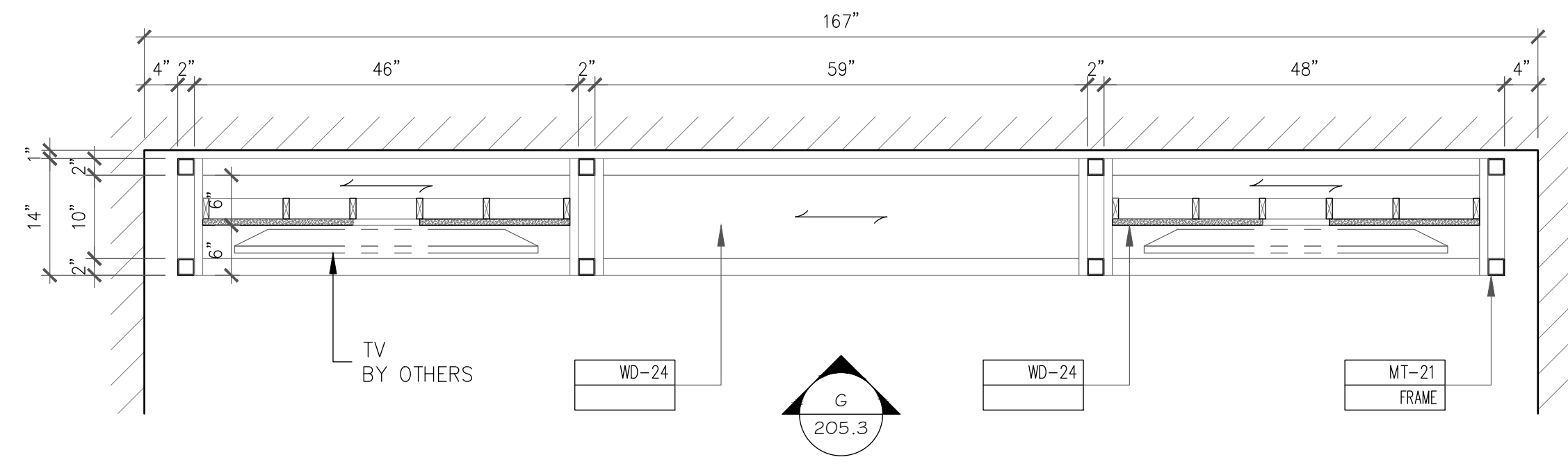
LEVEL 1
 BEACH CLUB
 BAR

PROJECT
MAUI BAY VILLAS

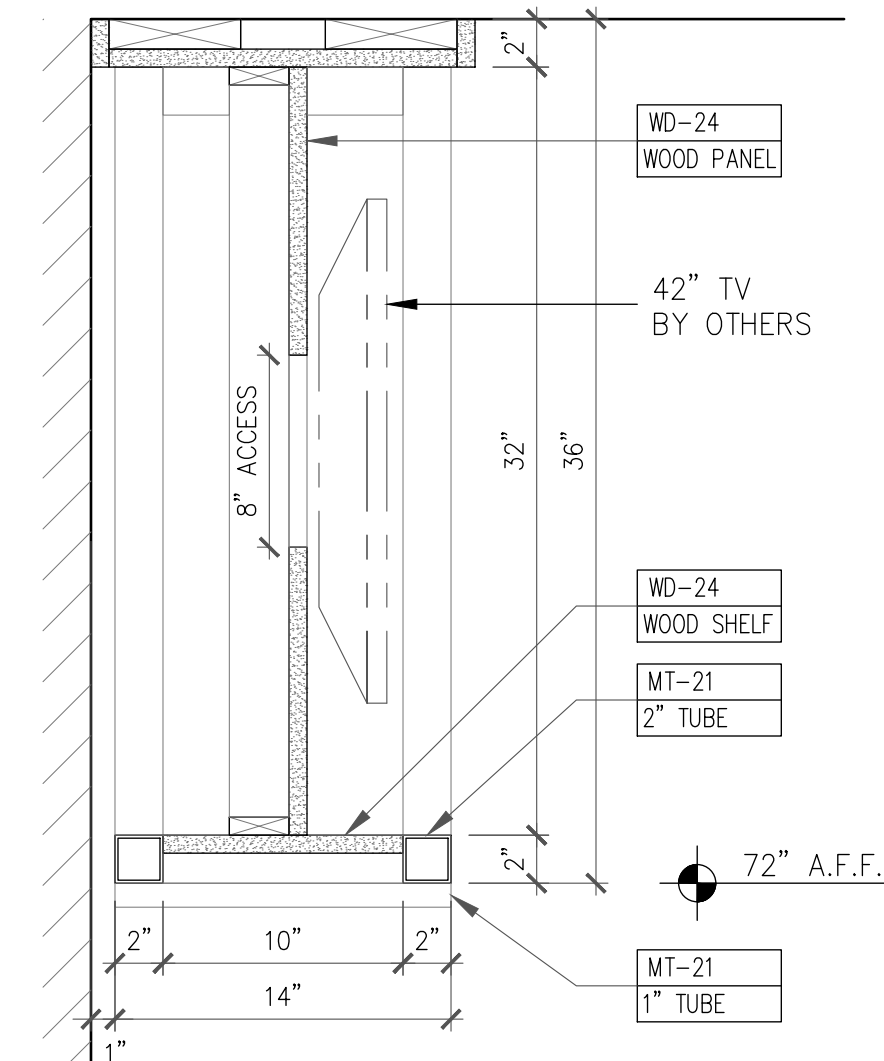
LOCATION
KIHEI, MAUI, HAWAII

DRAWN	HD
CHECKED	RT
DATE	10/10/2019
SCALE	AS NOTED
JOB NO.	2129
SHEET	205.2
2 of 4	

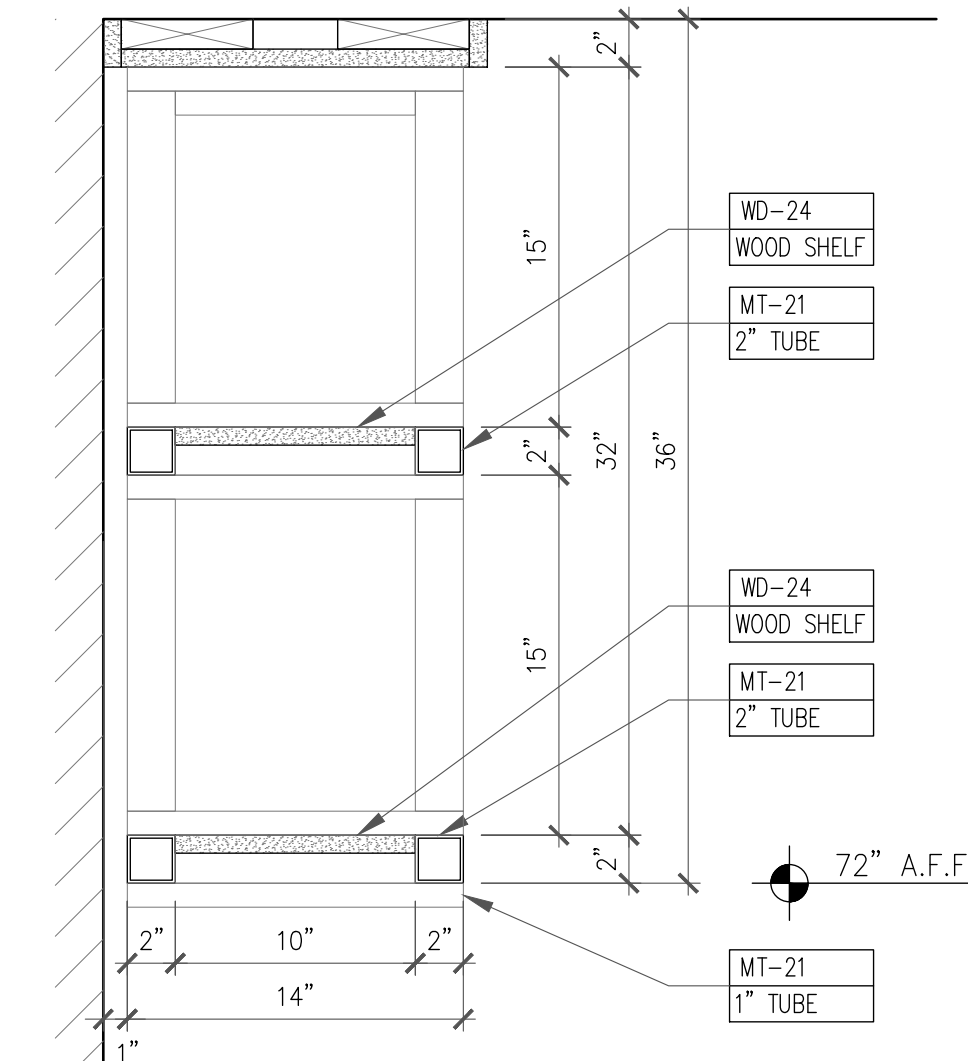
REVISIONS	BY



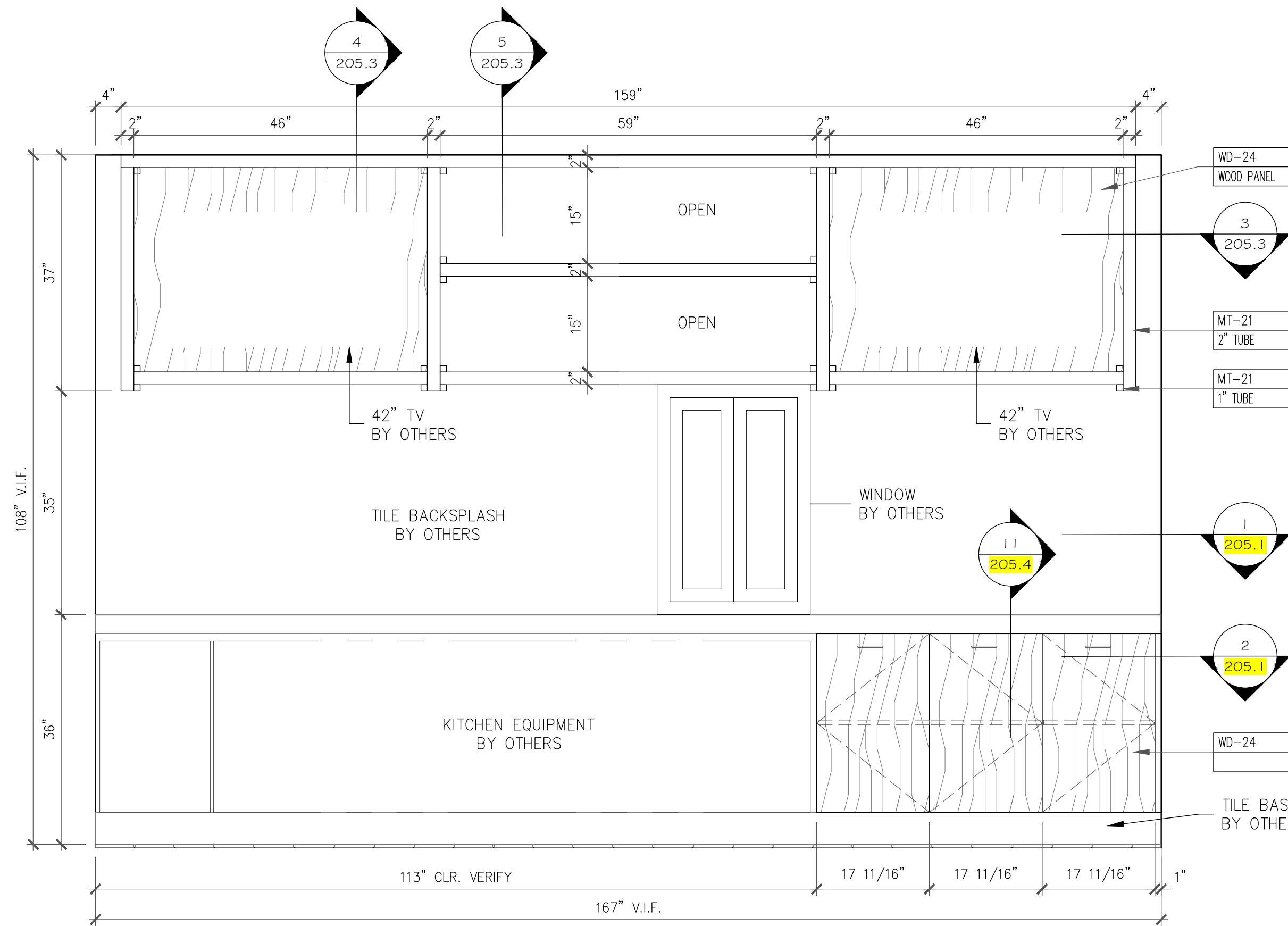
3 PLAN SECTION: BEACH CLUB BACK BAR
 REF: 8/1D-BC-DT-3.05 SCALE: 3/4" = 1'-0"



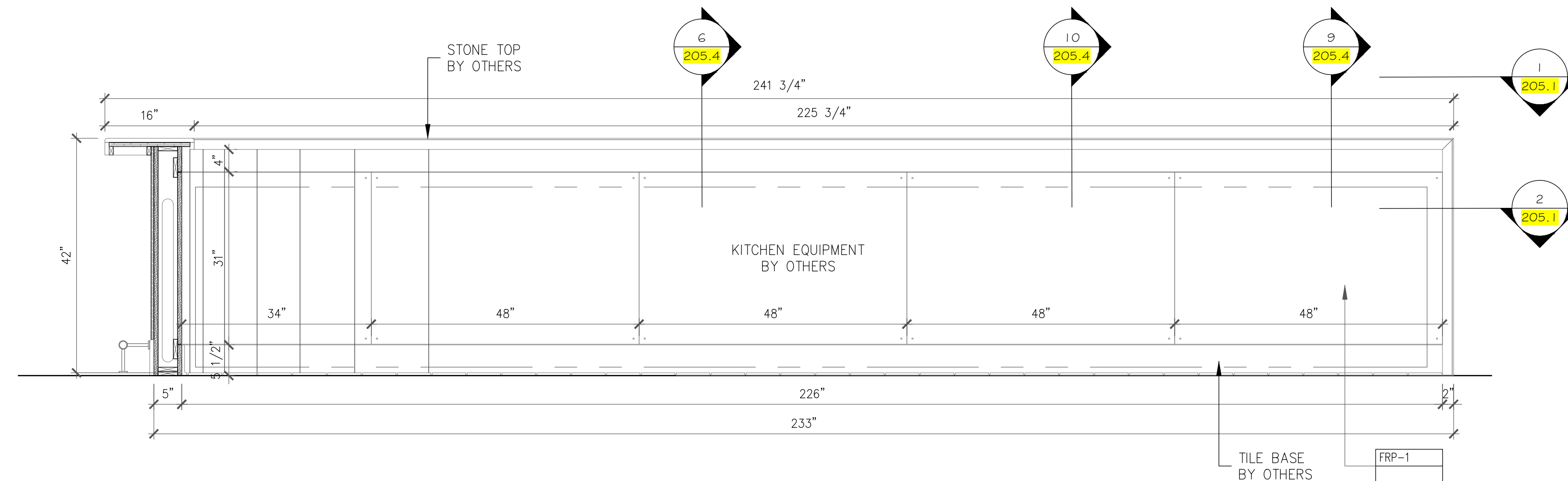
4 SECTION
 REF: 7/1D-BC-DT-3.06 SCALE: 1-1/2" = 1'-0"



5 SECTION
 REF: 6/1D-BC-DT-3.06 SCALE: 1-1/2" = 1'-0"



G ELEVATION: BEACH CLUB BACK BAR
 REF: 8/1D-BC-DT-3.05 SCALE: 3/4" = 1'-0"

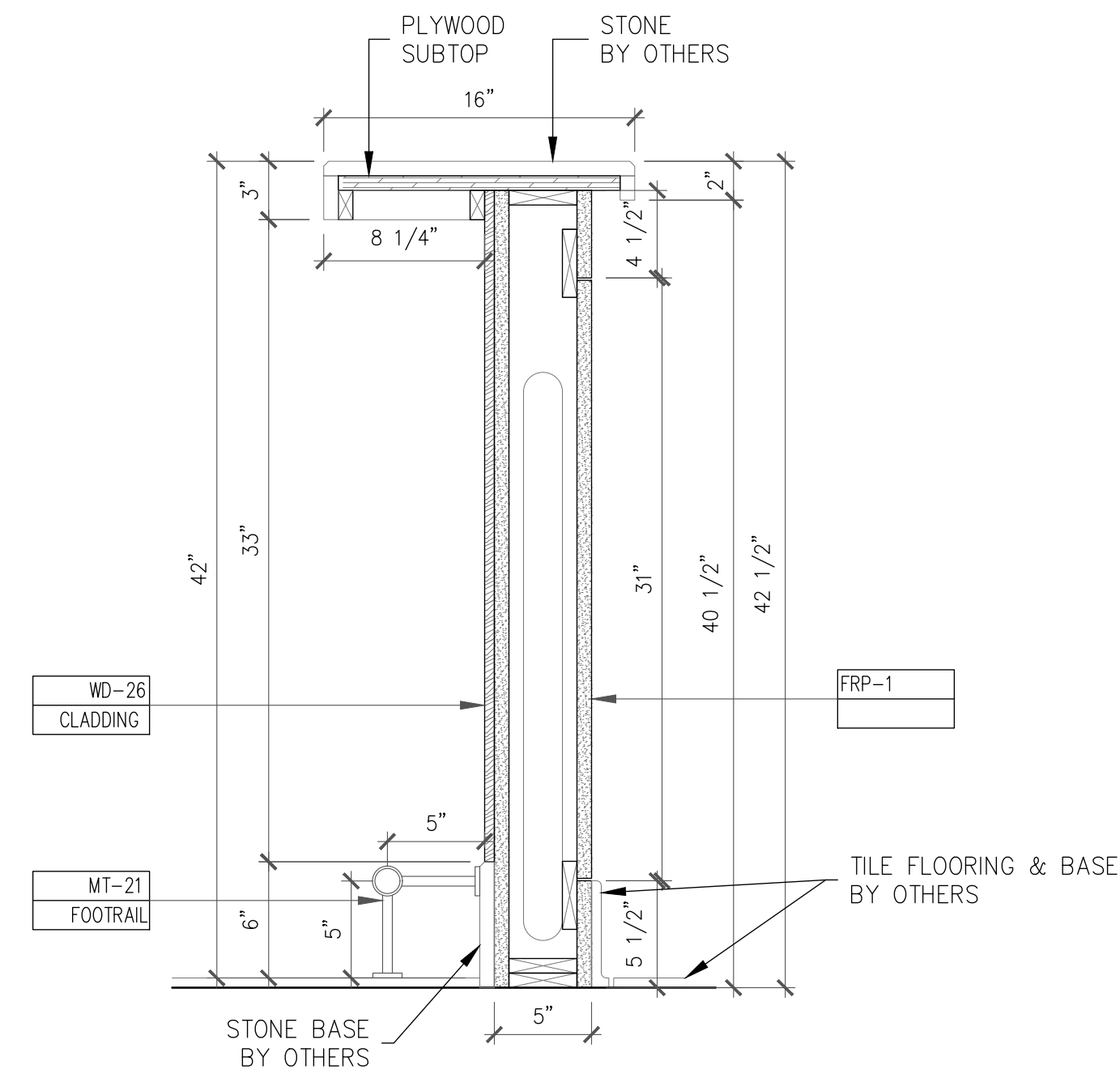


H ELEVATION: BEACH CLUB BAR
 REF: 7/1D-BC-DT-3.05 SCALE: 3/4" = 1'-0"

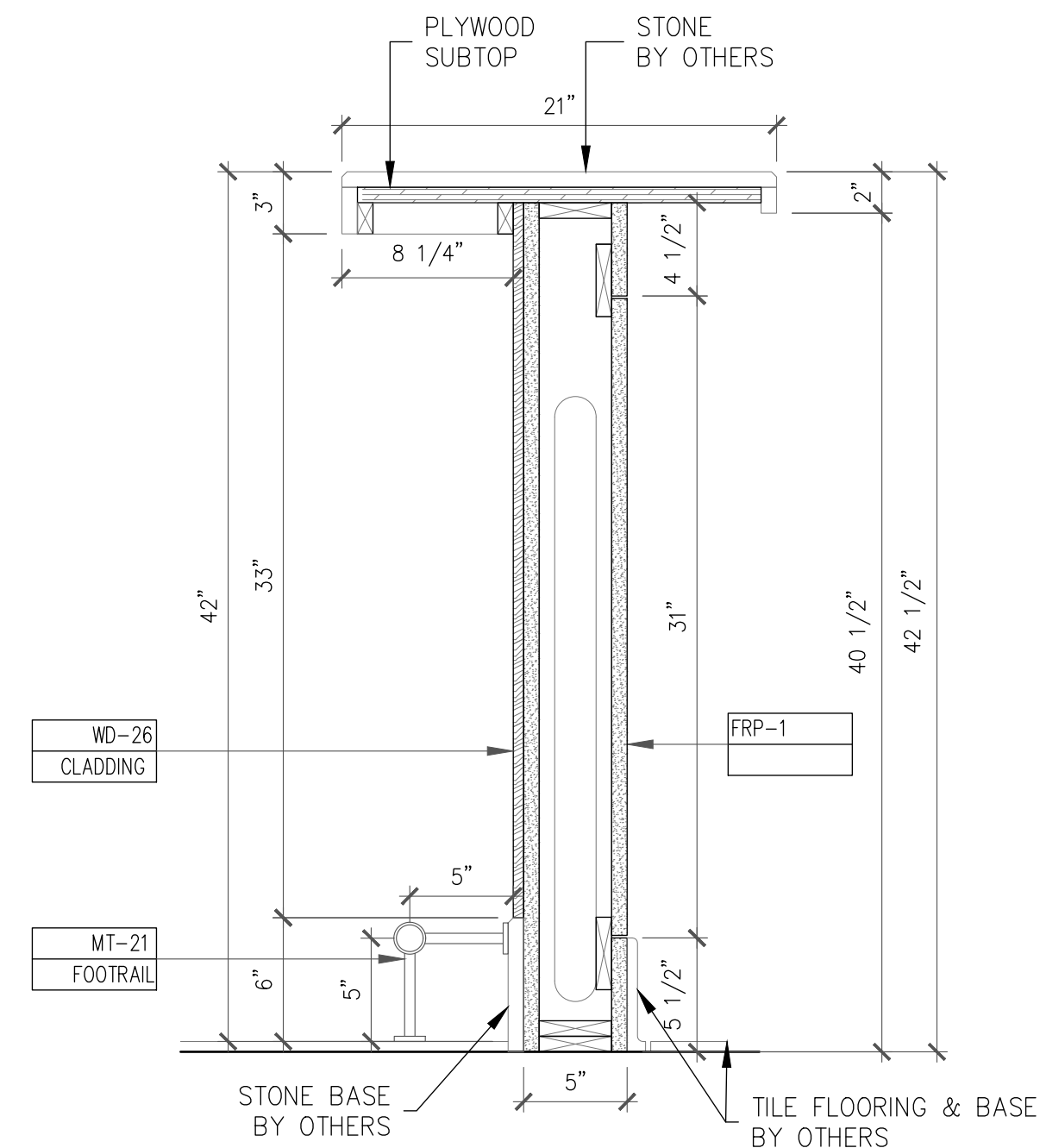
PROJECT: MAUI BAY VILLAS
 LOCATION: KIHAI, MAUI, HAWAII
 ITEM: LEVEL 1 BEACH CLUB BAR

PROJECT: MAUI BAY VILLAS
 LOCATION: KIHAI, MAUI, HAWAII

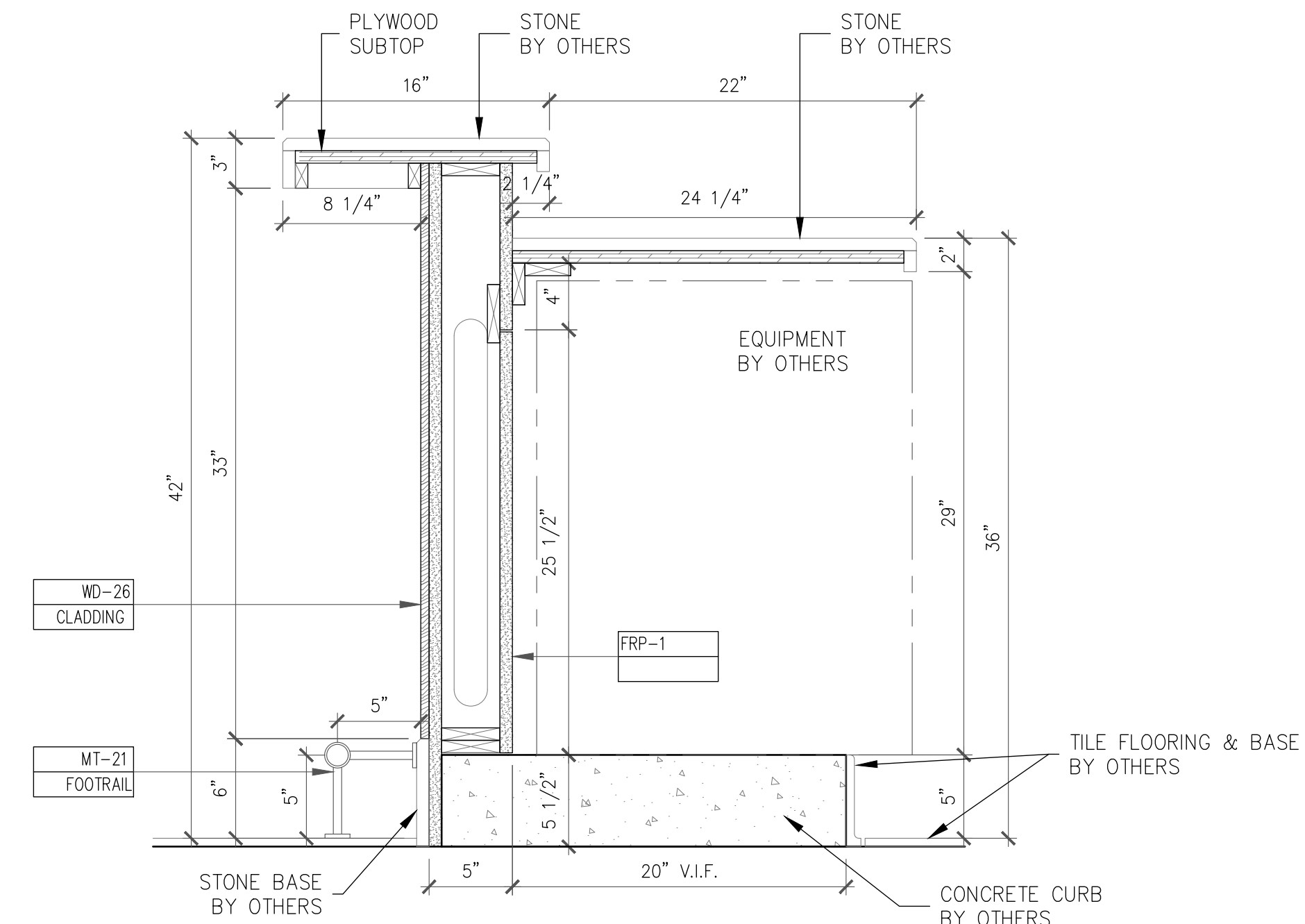
DRAWN	HD
CHECKED	RT
DATE	10/10/2019
SCALE	AS NOTED
JOB NO.	2129
SHEET	205.3
3 of 4	



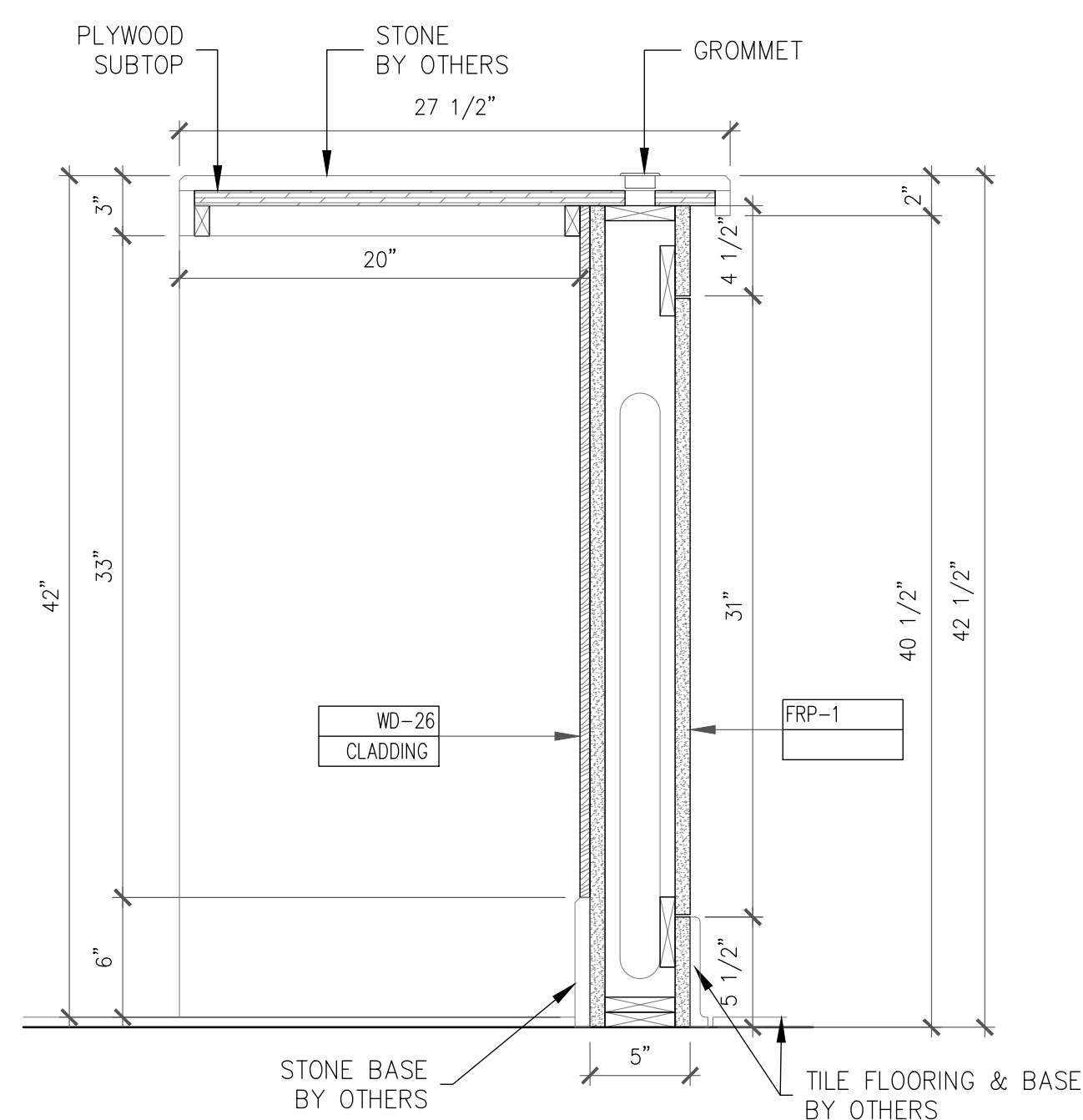
6 SECTION
REF: 2/D-BC-DT-3.06 SCALE: 1-1/2" = 1'-0"



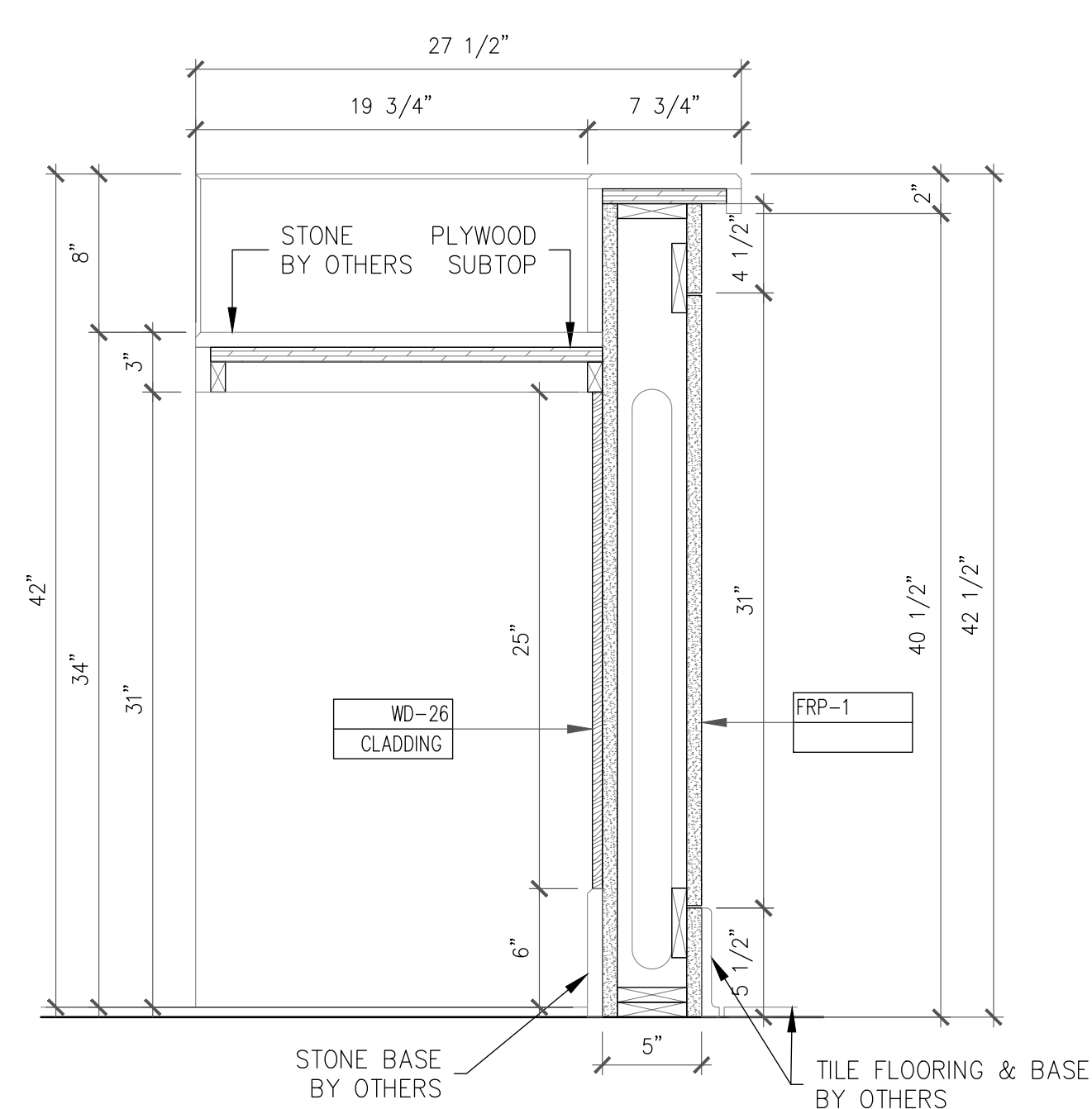
7 SECTION
REF: 2/D-BC-DT-3.06 SCALE: 1-1/2" = 1'-0"



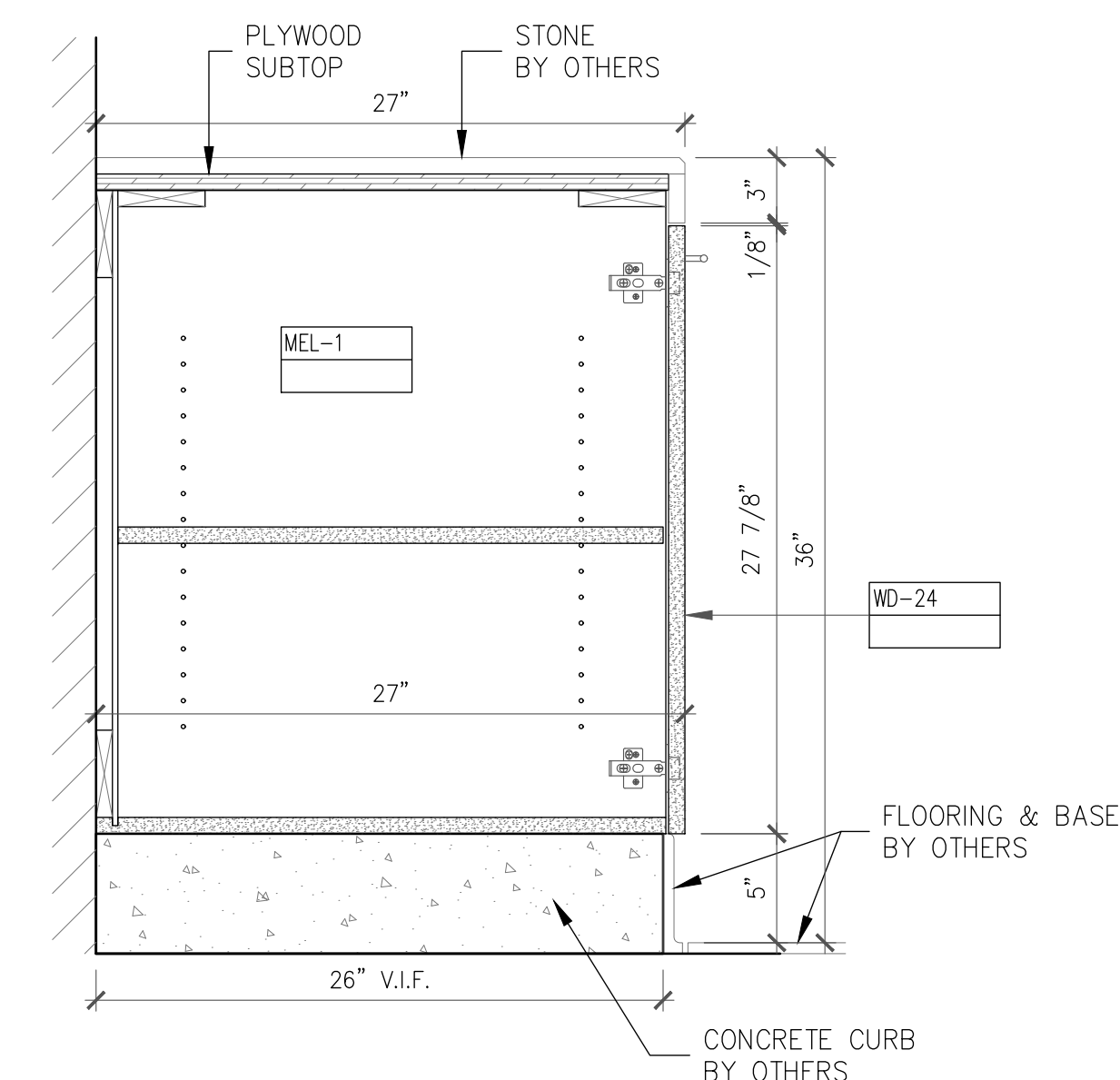
8 SECTION
REF: 5/D-BC-DT-3.06 SCALE: 1-1/2" = 1'-0"



9 SECTION
REF: 4/D-BC-DT-3.06 SCALE: 1-1/2" = 1'-0"



10 SECTION
REF: 1/D-BC-DT-3.06 SCALE: 1-1/2" = 1'-0"



11 SECTION
REF: 7/D-BC-DT-3.06 SCALE: 1-1/2" = 1'-0"

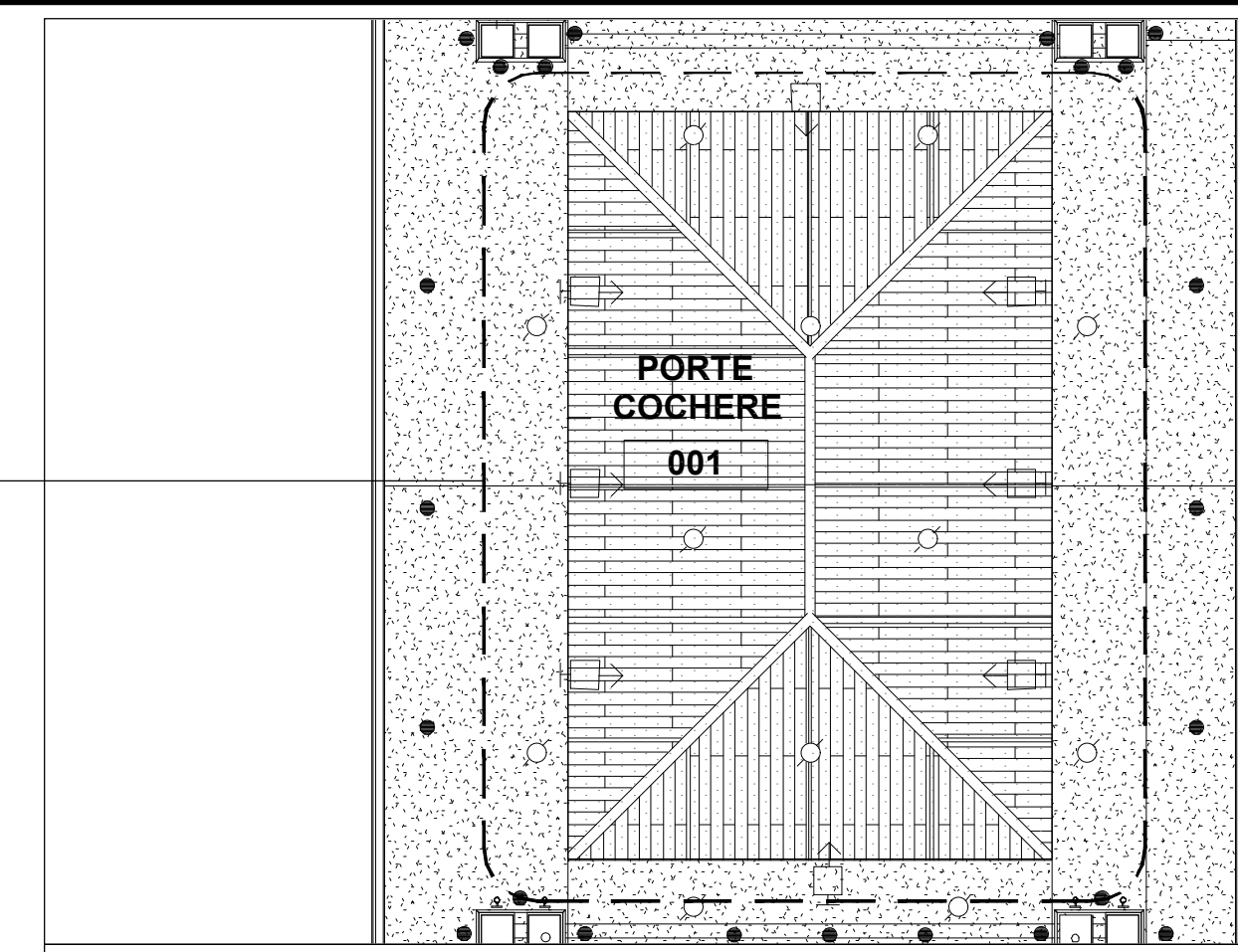
REVISIONS	BY

LEVEL 1
BEACH CLUB
BAR

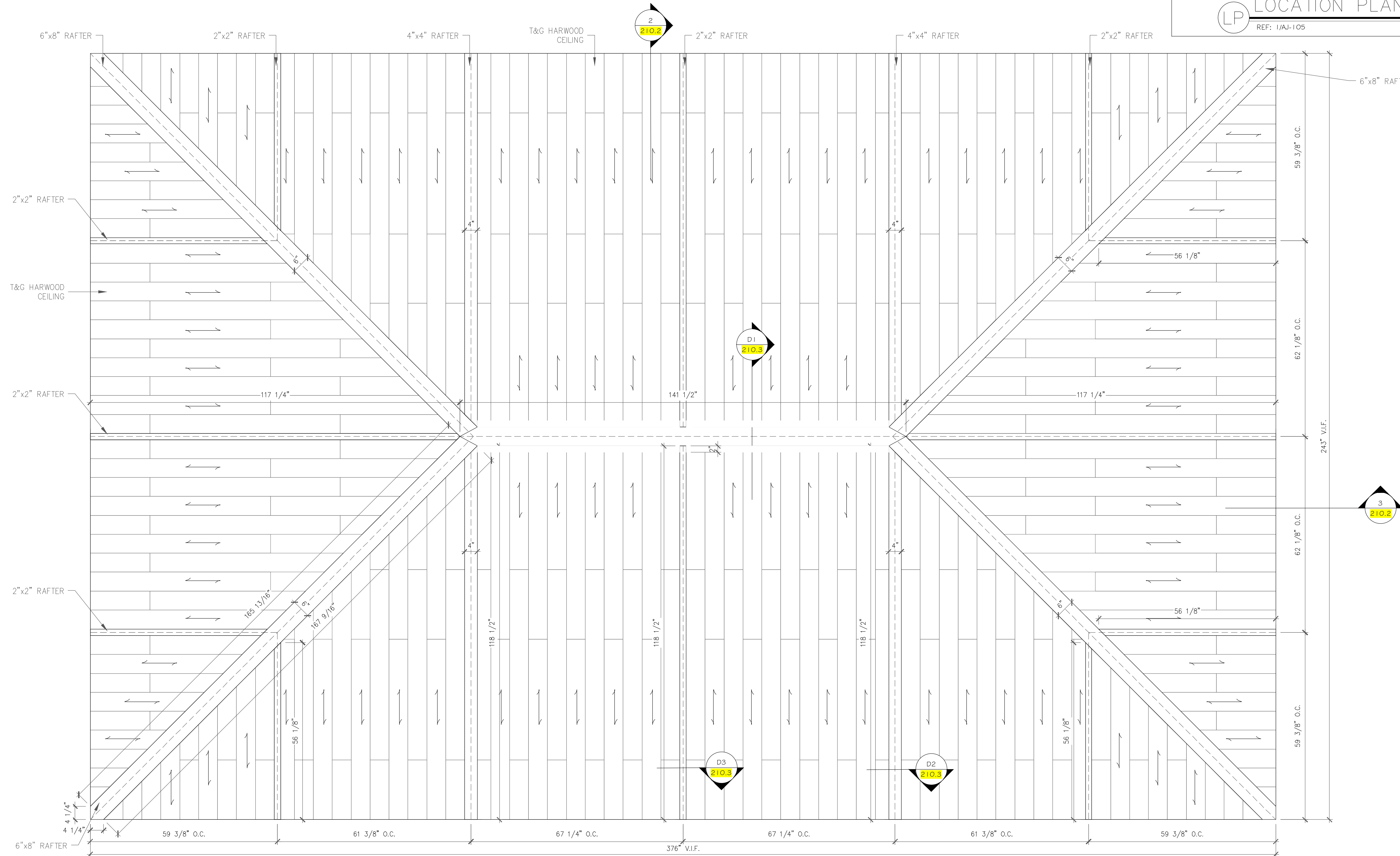
PROJECT
MAUI BAY VILLAS

LOCATION
KIHEI, MAUI, HAWAII

DRAWN	HD
CHECKED	RT
DATE	10/10/2019
SCALE	AS NOTED
JOB NO.	2129
SHEET	205.4
4 of 4	



LP LOCATION PLAN - LEVEL 1
REF: I/AJ-105 SCALE: 1/8" = 1'-0"



1 PLAN VIEW: RAFTER, T&G WOOD CEILING @ PORTE COCHERA
REF: I/AJ-105 SCALE: 3/4" = 1'-0"

LEVEL 1
WOOD CEILING @ PORTE
OPERATION BUILDING

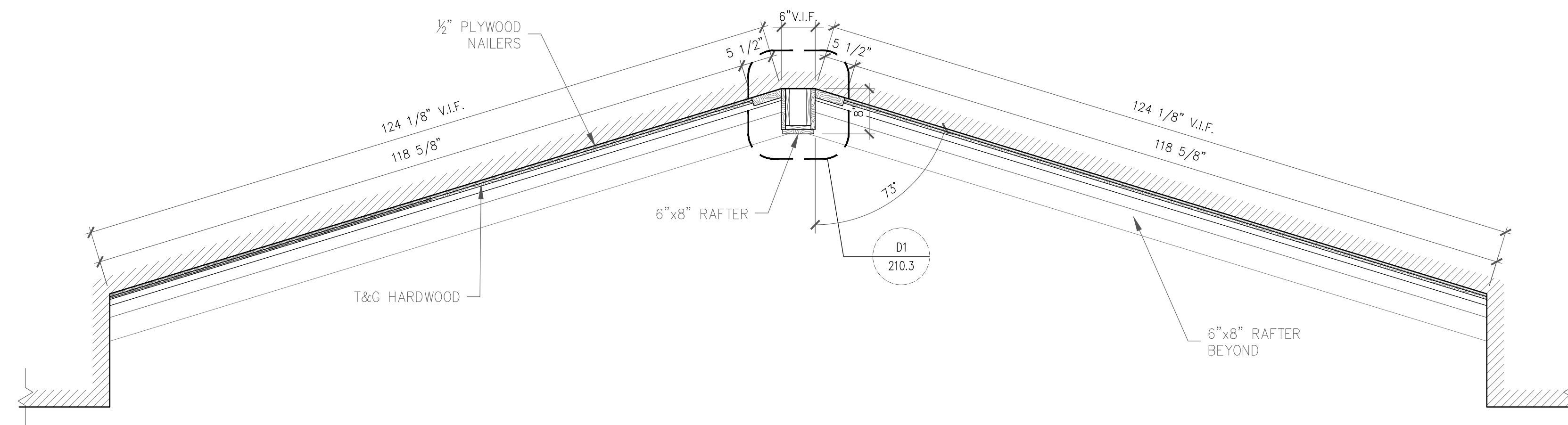
PROJECT MAUI BAY VILLAS
LOCATION RAFTER, T&G WOOD CEILING @ PORTE
KIHUI, MAUI, HAWAII

DRAWN HD
CHECKED RT
DATE 10/10/2019
SCALE AS NOTED
JOB NO.

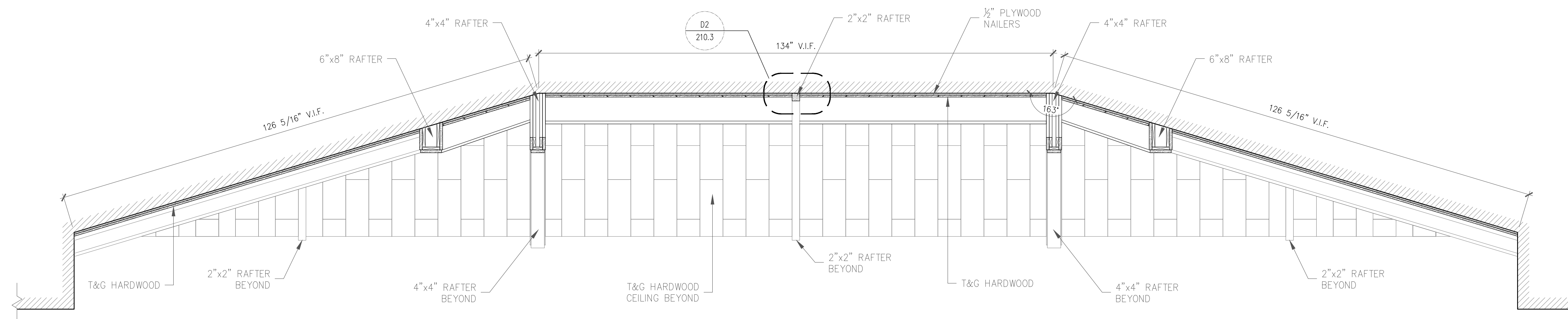
2129

SHEET 210.1

REVISIONS	BY



1 SECTION: RAFTER, T&G WOOD CEILING @ PORTE COCHERA
 REF: 1/AJ-304 SCALE: 3/4" = 1'-0"



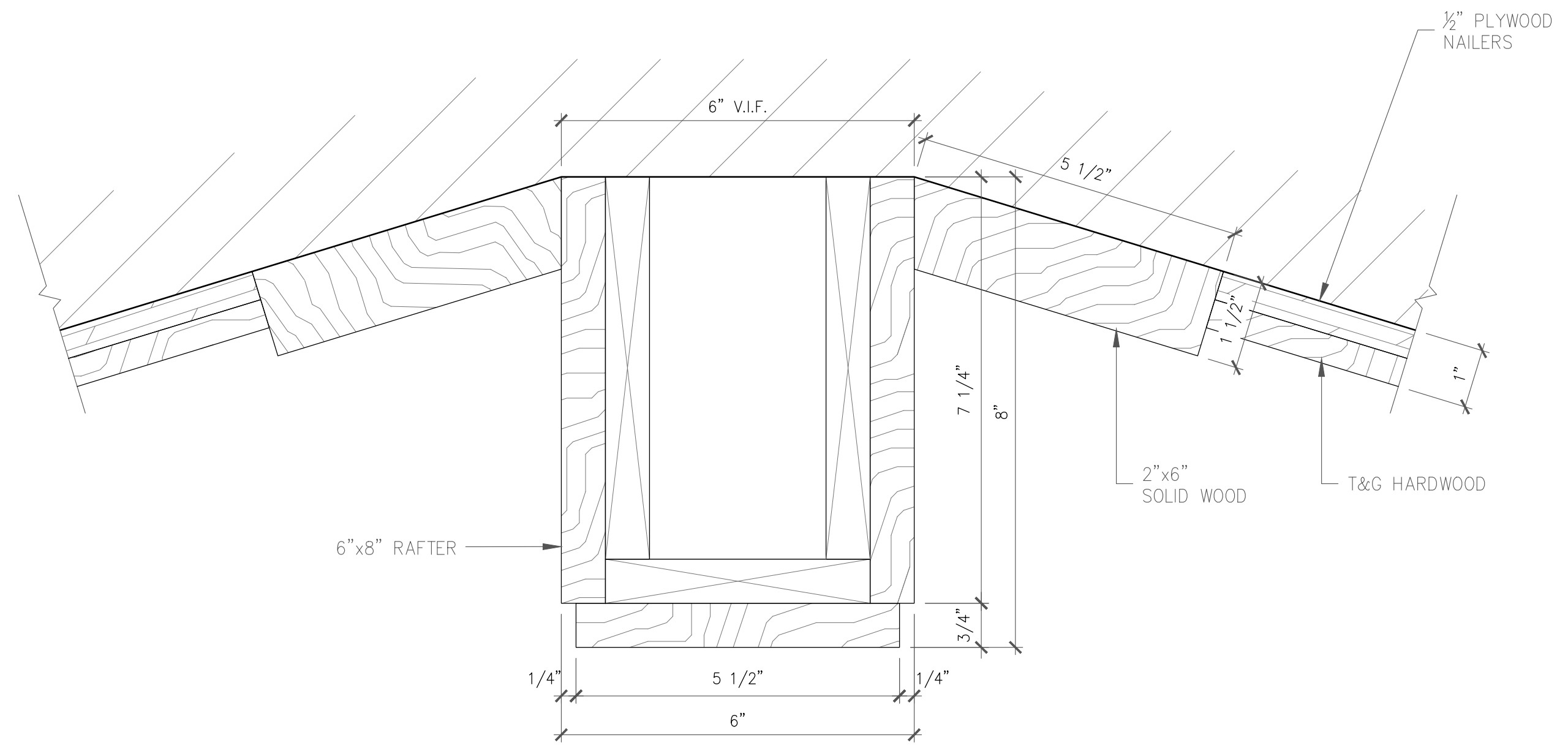
2 SECTION: RAFTER, T&G WOOD CEILING @ PORTE COCHERA
 REF: 1/AJ-301 SCALE: 3/4" = 1'-0"

LEVEL 1
 RAFTER, T&G WOOD CEILING
 CLUBHOUSE

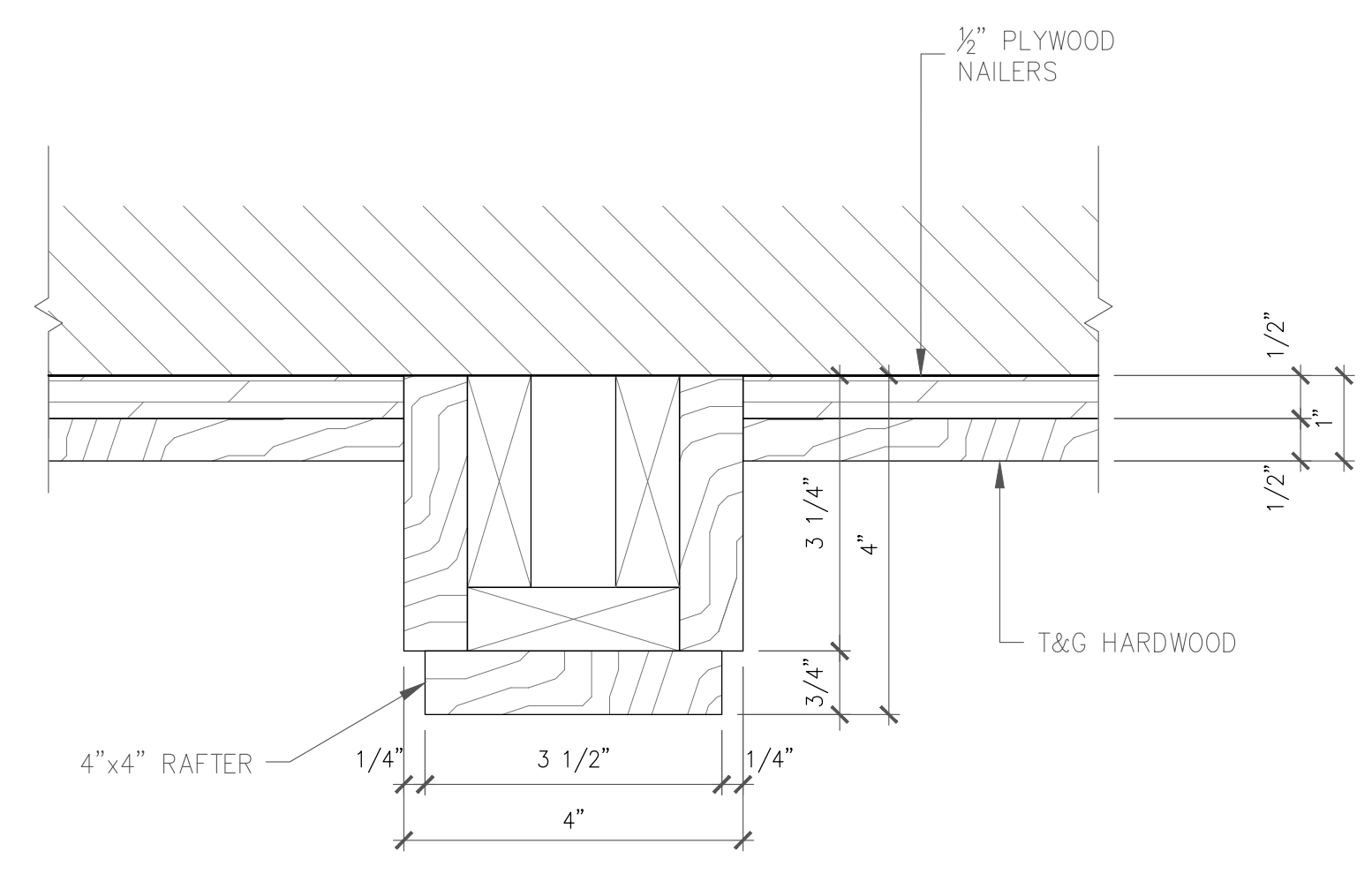
PROJECT
MAUI BAY VILLAS
 LOCATION
KIHEI, MAUI, HAWAII

DRAWN	HD
CHECKED	RT
DATE	10/10/2019
SCALE	AS NOTED
JOB NO.	2129
SHEET	210.2
1 of 2	

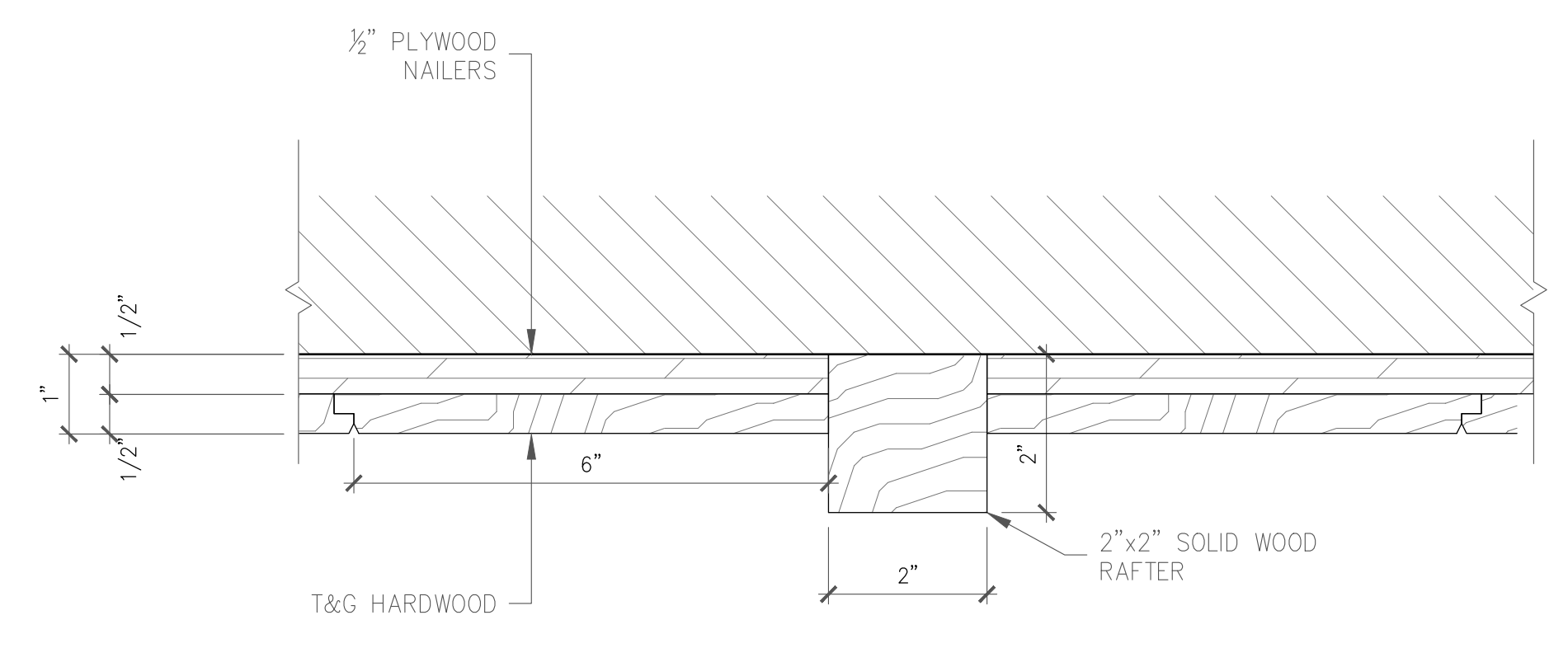
REVISIONS	BY



D1 DETAIL
REF: 3/AJ-902 SCALE: 6" = 1'-0"



D2 DETAIL
REF: 3/AJ-902 SCALE: 6" = 1'-0"



D3 DETAIL
REF: 3/AJ-902 SCALE: 6" = 1'-0"

LEVEL 1
RAFTER, T&G WOOD CEILING
CLUBHOUSE

PROJECT
MAUI BAY VILLAS
LOCATION
KIHEI, MAUI, HAWAII

DRAWN	HD
CHECKED	RT
DATE	10/10/2019
SCALE	AS NOTED
JOB NO.	
2129	
SHEET	210.3
1 of 2	