

VERMONT GUEST HOUSE

HOUSE

DRAWING INDEX

| SERIES | DRAWING NAME | PAGES |
|--------|---------------------|-------|
| CS.1 | COVER SHEET | 1 |
| 01.1 | GUEST HOUSE KITCHEN | 4 |
| TOTAL | | 5 |

FINISH INDEX

| | |
|-------|--------------------------------------|
| MEL-W | MELAMINE INTERIORS WHITE COLOR |
| ST-1 | 2CM STONE PLEASE PROVIDE FINISH |
| WD-01 | WOOD FINISH PLEASE PROVIDE FINISH |

HARDWARE

| | |
|-------|--|
| H-1.0 | BUTT HINGE PLEASE PROVIDE SPECS |
| H-2.0 | KNOB PULL PLEASE PROVIDE SPECS |
| H-2.1 | BAR PULL PLEASE PROVIDE SPECS |
| H-3.0 | DRAWER SLIDES ACCURIDE 3832 100LBS FULL EXTENSION 20" |
| H-4.0 | 5mm SHELF PINS KV 332 ANO - ANOCHROME FINISH |
| H-9.0 | ALUMINUM Z-CLIPS ANODIZED ALUMINUM |

REVISIONS

PLEASE DISREGARD INFORMATION
FOUND ON DRAWINGS DATED PRIOR
TO MOST RECENT REVISION DATE.

Architect:

Contractor:

COVER SHEET

COVER SHEET

MILLWORK SHOP DRAWING

Drawn by:

HD

Date:

11/26/2019

Scale:

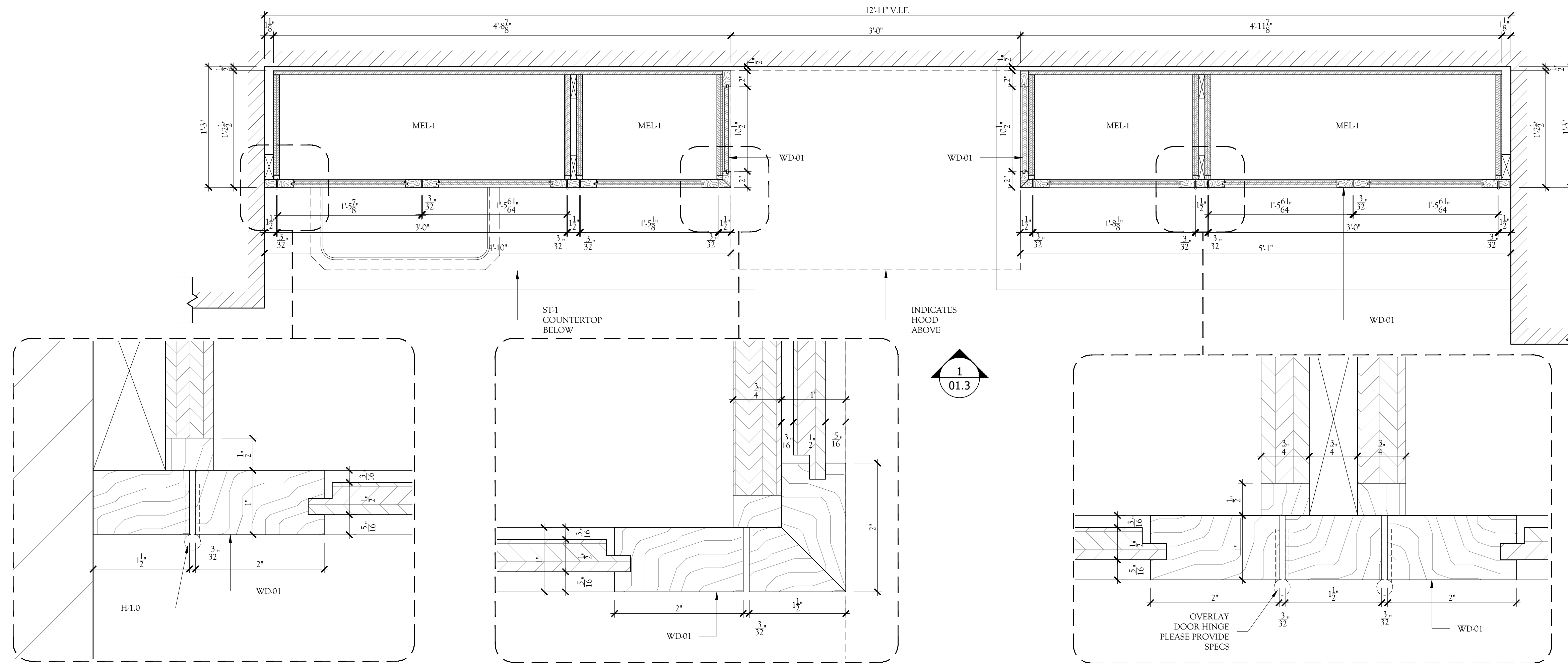
VARIES SEE DRAWING

Sheet:

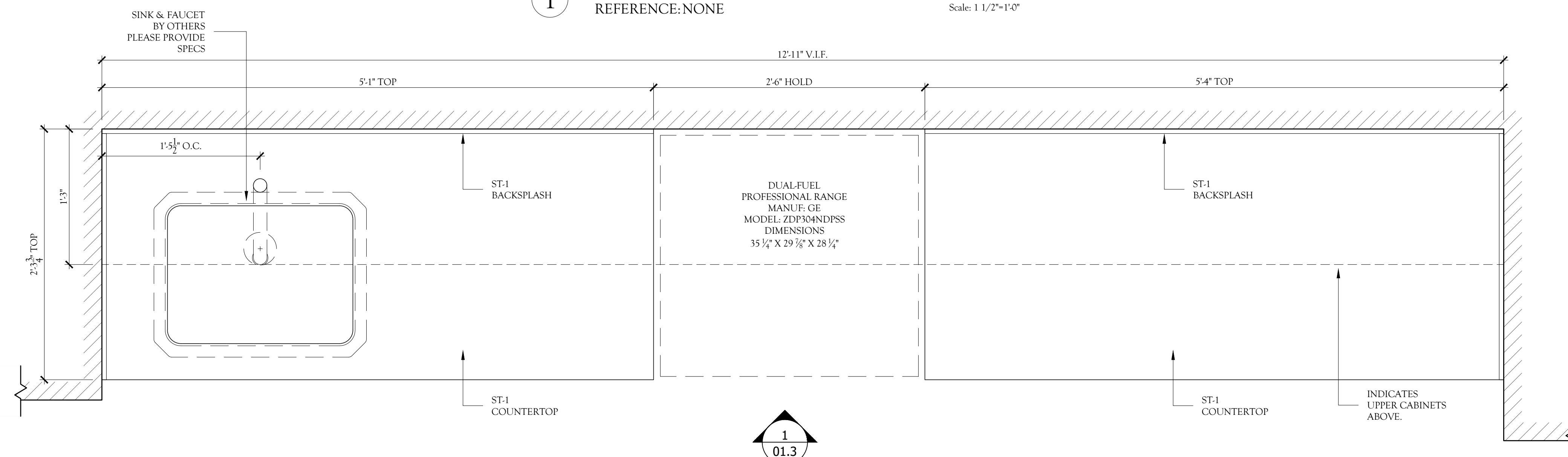
CS.1

VERMONT GUEST HOUSE

GENERAL NOTES



1 GUEST HOUSE KITCHEN : UPPER PLAN
REFERENCE: NONE
Scale: 1/2" = 1'-0"



2 GUEST HOUSE KITCHEN : PLAN VIEW
REFERENCE: NONE
Scale: 1/2" = 1'-0"

REVISIONS

PLEASE DISREGARD INFORMATION FOUND ON DRAWINGS DATED PRIOR TO MOST RECENT REVISION DATE.

Architect:

Contractor:

KITCHEN

PLAN
VIEW/ELEVATION/SECTION

MILLWORK SHOP DRAWING

Drawn by:

HD

Date:

11/26/2019

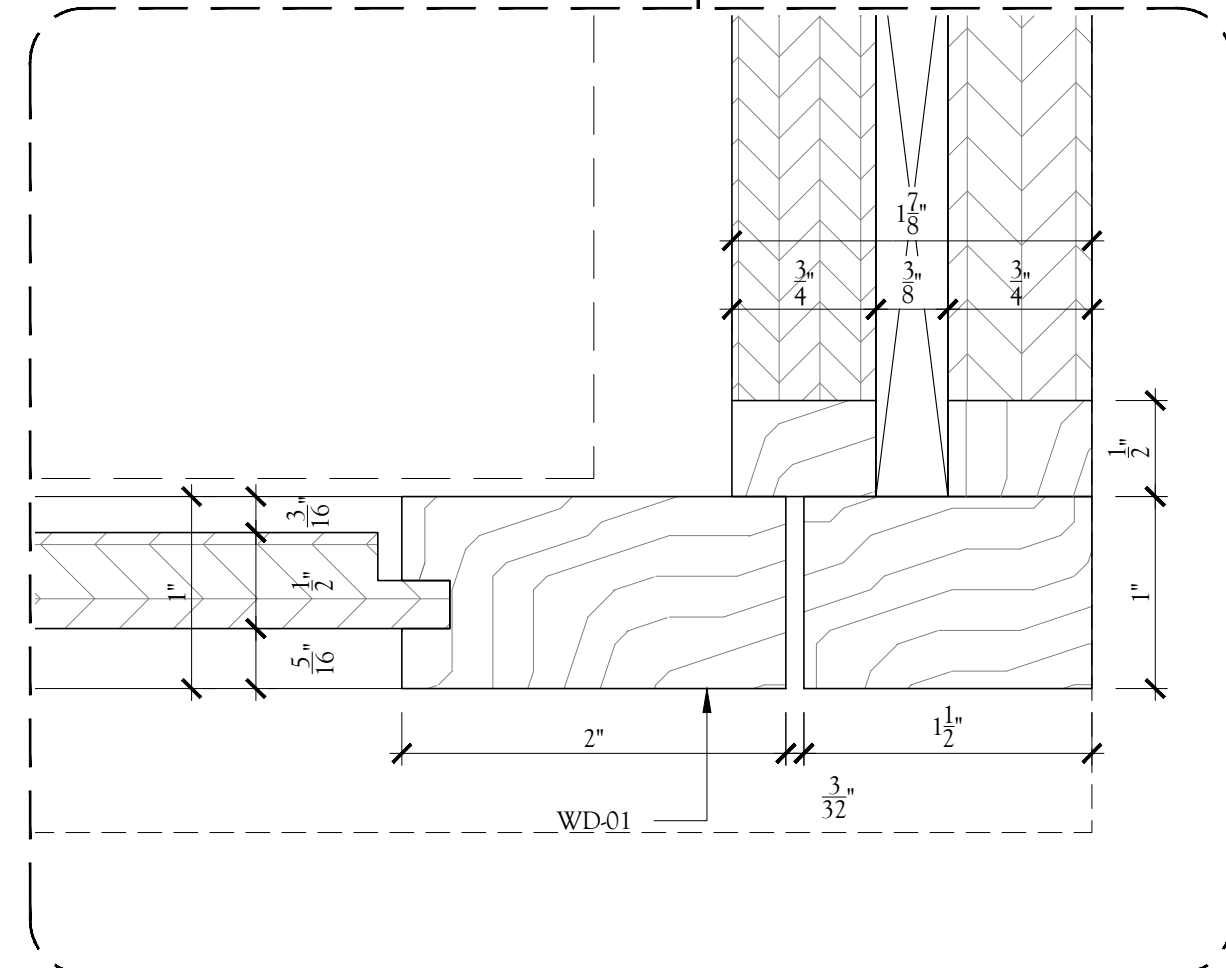
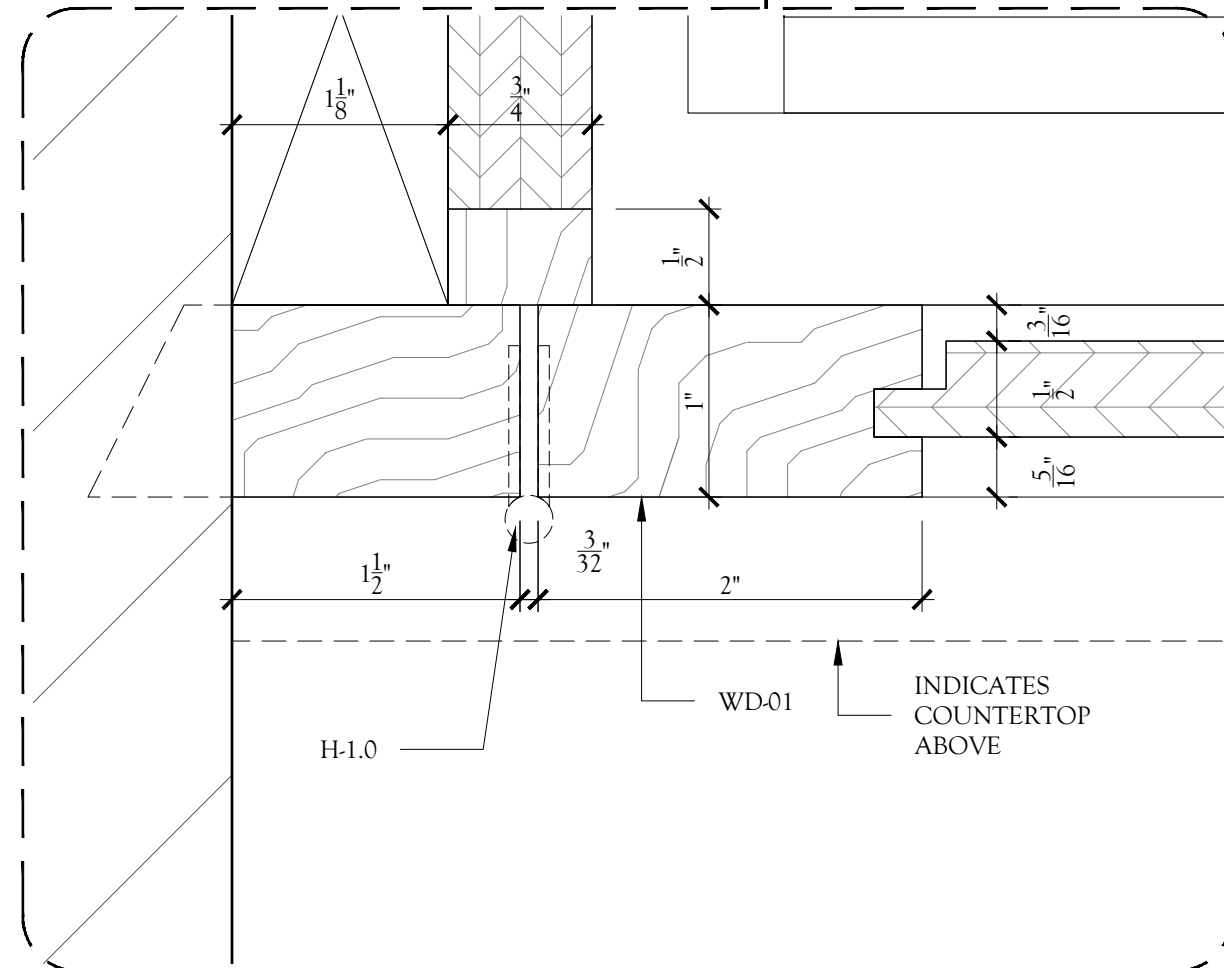
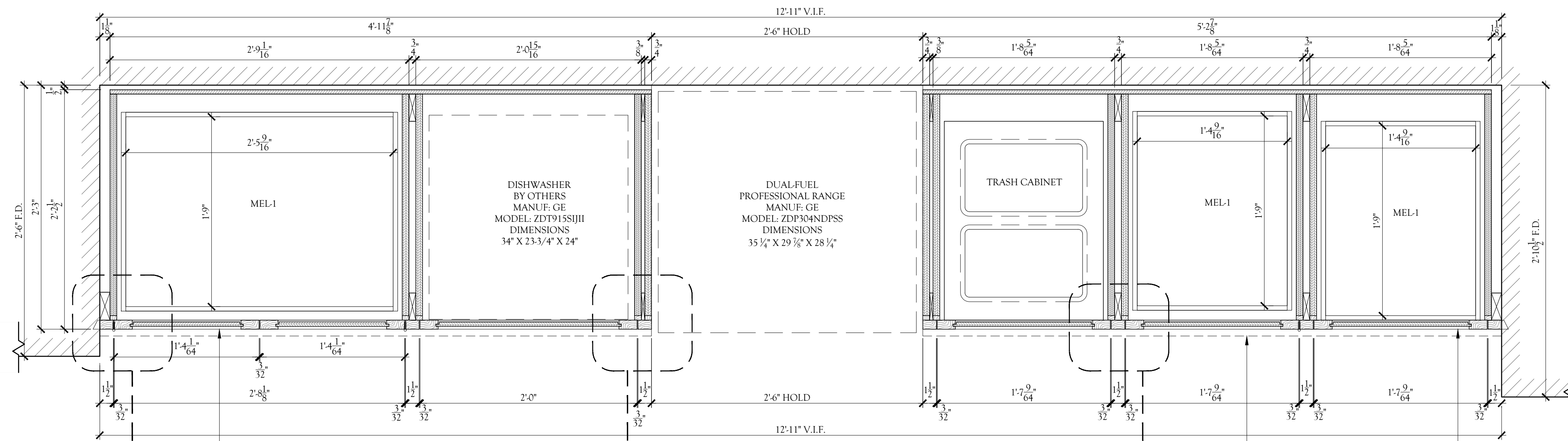
Scale:

VARIES SEE DRAWING

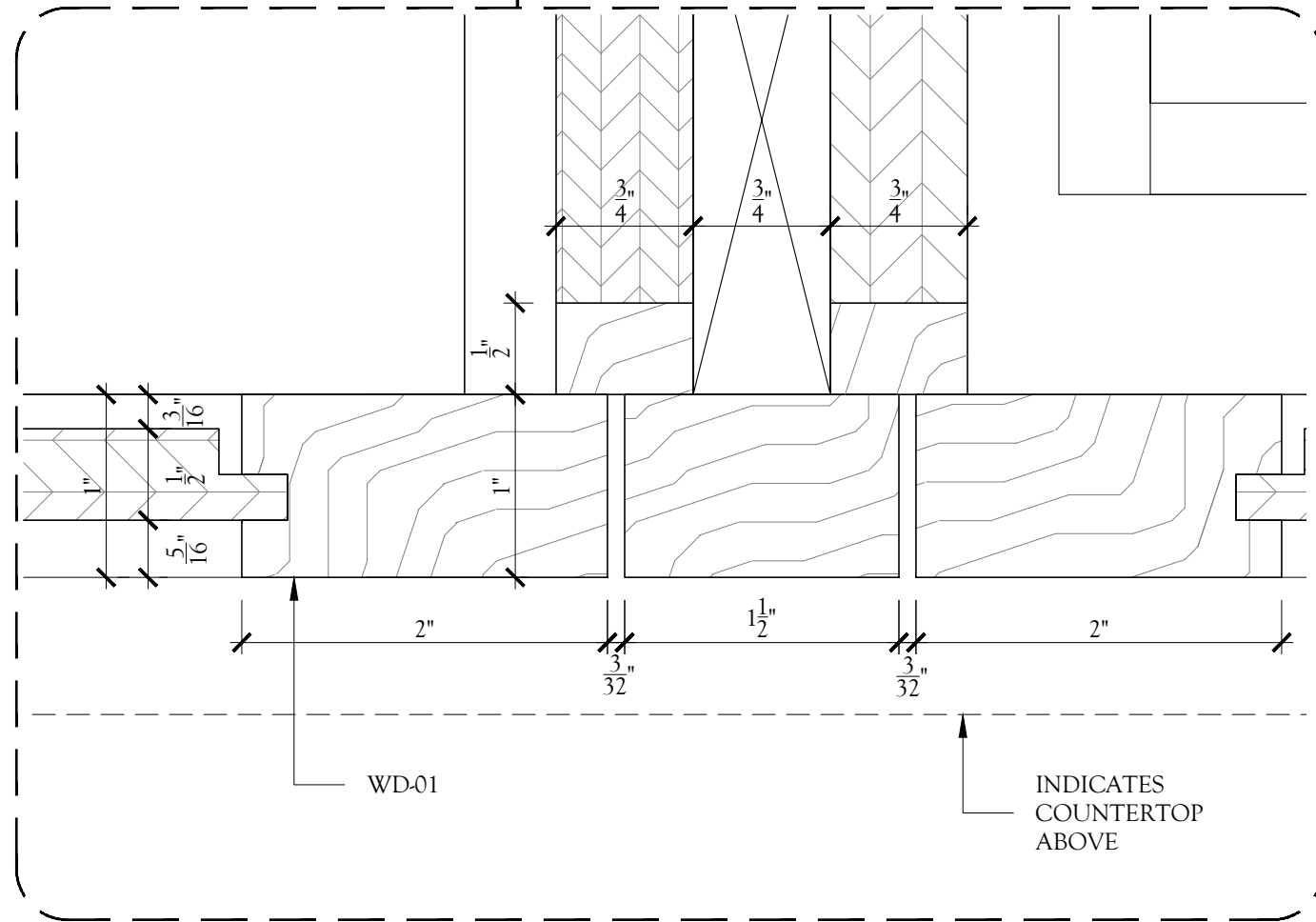
01.1

VERMONT GUEST HOUSE

GENERAL NOTES



1
01.3



1 GUEST HOUSE KITCHEN : LOWER PLAN
REFERENCE: 1/A10.13A Scale: 1/2"=1'-0"

REVISIONS

PLEASE DISREGARD INFORMATION FOUND ON DRAWINGS DATED PRIOR TO MOST RECENT REVISION DATE.

Architect:

Contractor:

KITCHEN
PLAN
VIEW/ELEVATION/SECTION

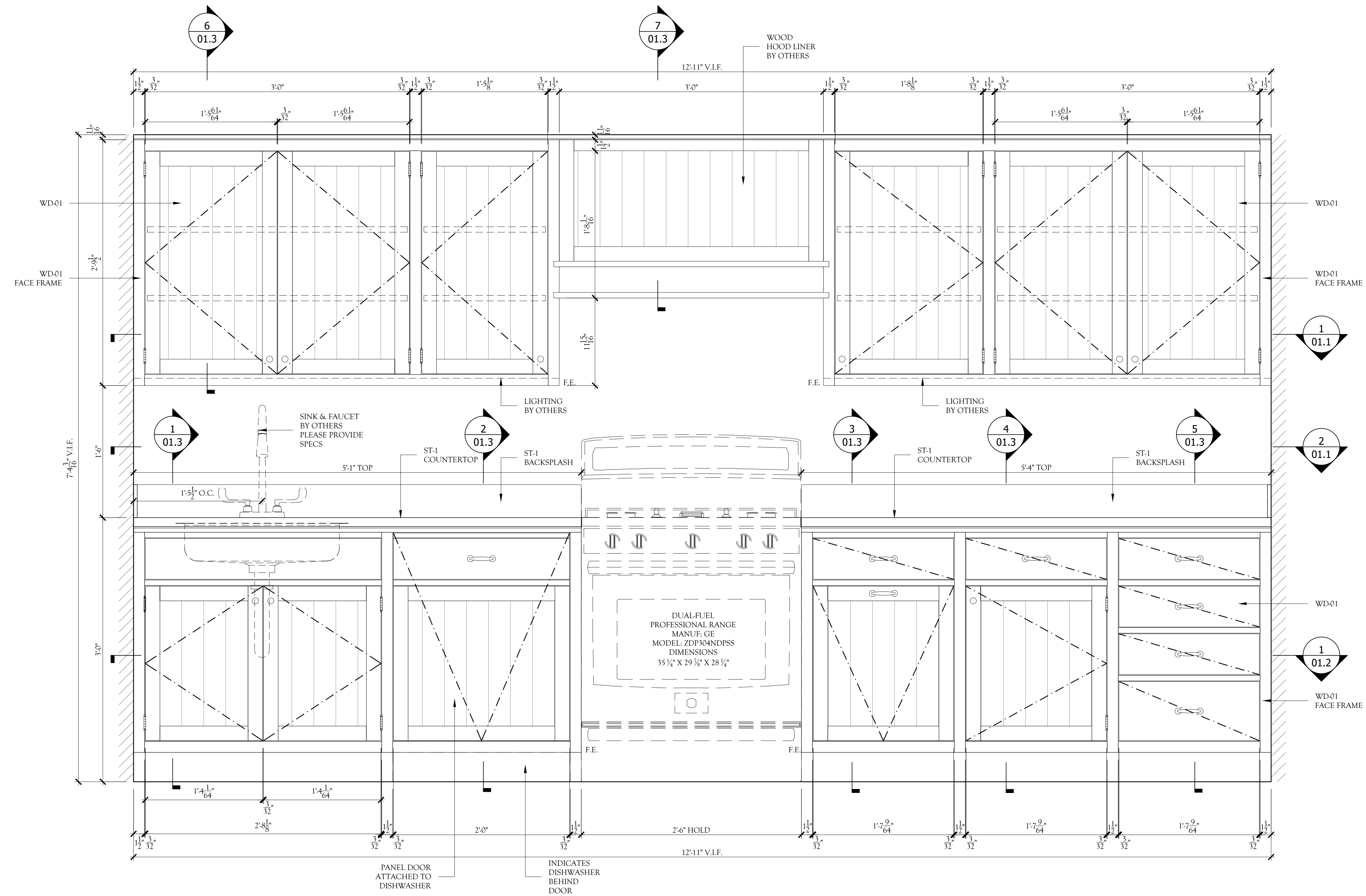
MILLWORK SHOP DRAWING

Drawn by:
HD
Date:
11/26/2019
Scale:
VARIES SEE DRAWING

Sheet:
01.2

VERMONT GUEST HOUSE

GENERAL NOTES



1 GUEST HOUSE KITCHEN : ELEVATION
REFERENCE: 5/A10.13
Scale: 1/2"=1'-0"

REVISIONS

PLEASE DISREGARD INFORMATION FOUND ON DRAWINGS DATED PRIOR TO MOST RECENT REVISION DATE.

Architect:

Contractor:

KITCHEN

PLAN
VIEW/ELEVATION/SECTION

MILLWORK SHOP DRAWING

Drawn by:

HD

Date:

11/26/2019

Scale:

VARIES SEE DRAWING

01.3

VERMONT GUEST HOUSE

GENERAL NOTES

REVISIONS

PLEASE DISREGARD INFORMATION FOUND ON DRAWINGS DATED PRIOR TO MOST RECENT REVISION DATE.

Architect:

Contractor:

KITCHEN

PLAN VIEW/ELEVATION/SECTION

MILLWORK SHOP DRAWING

Drawn by:

HD

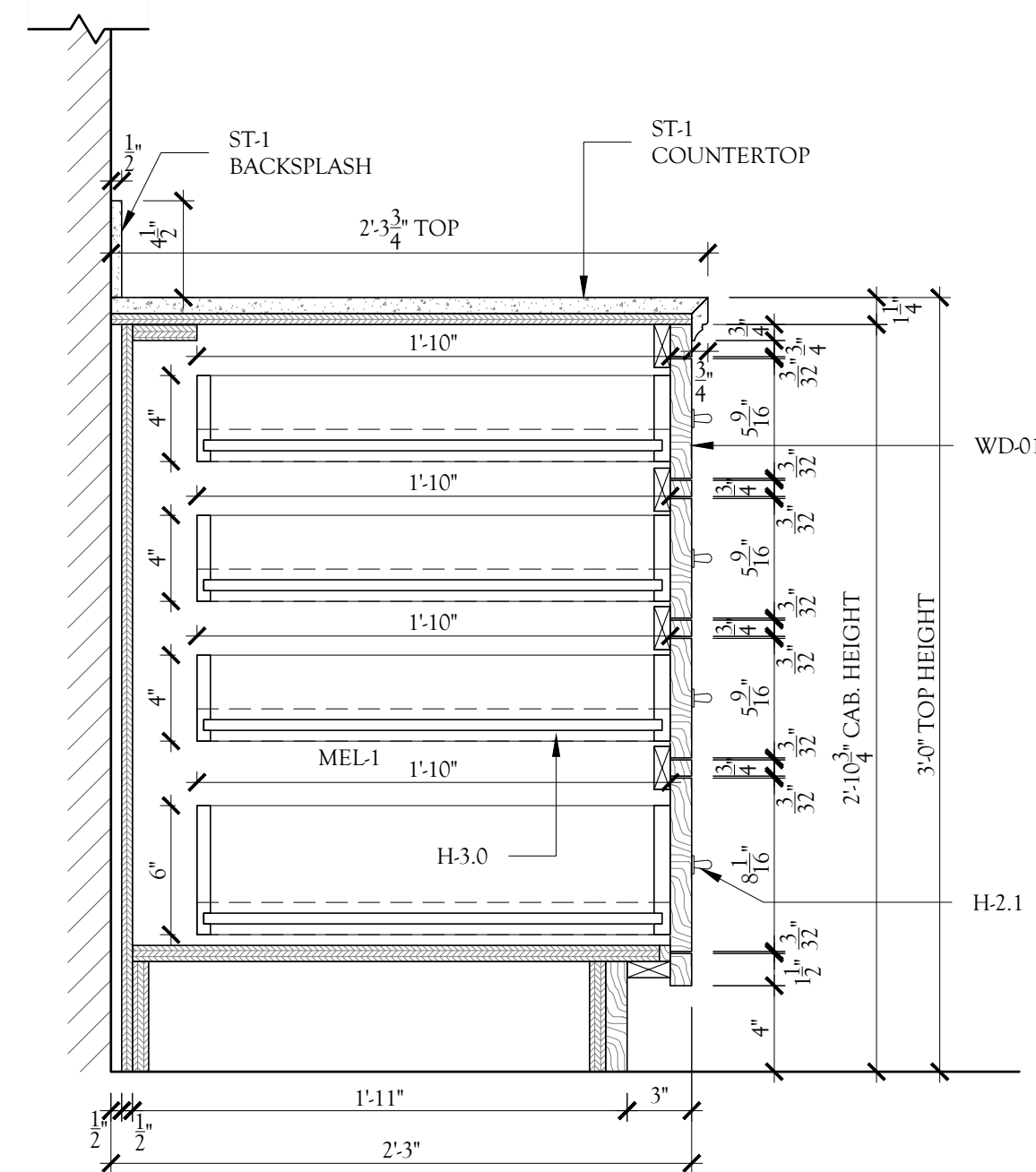
Date:

11/26/2019

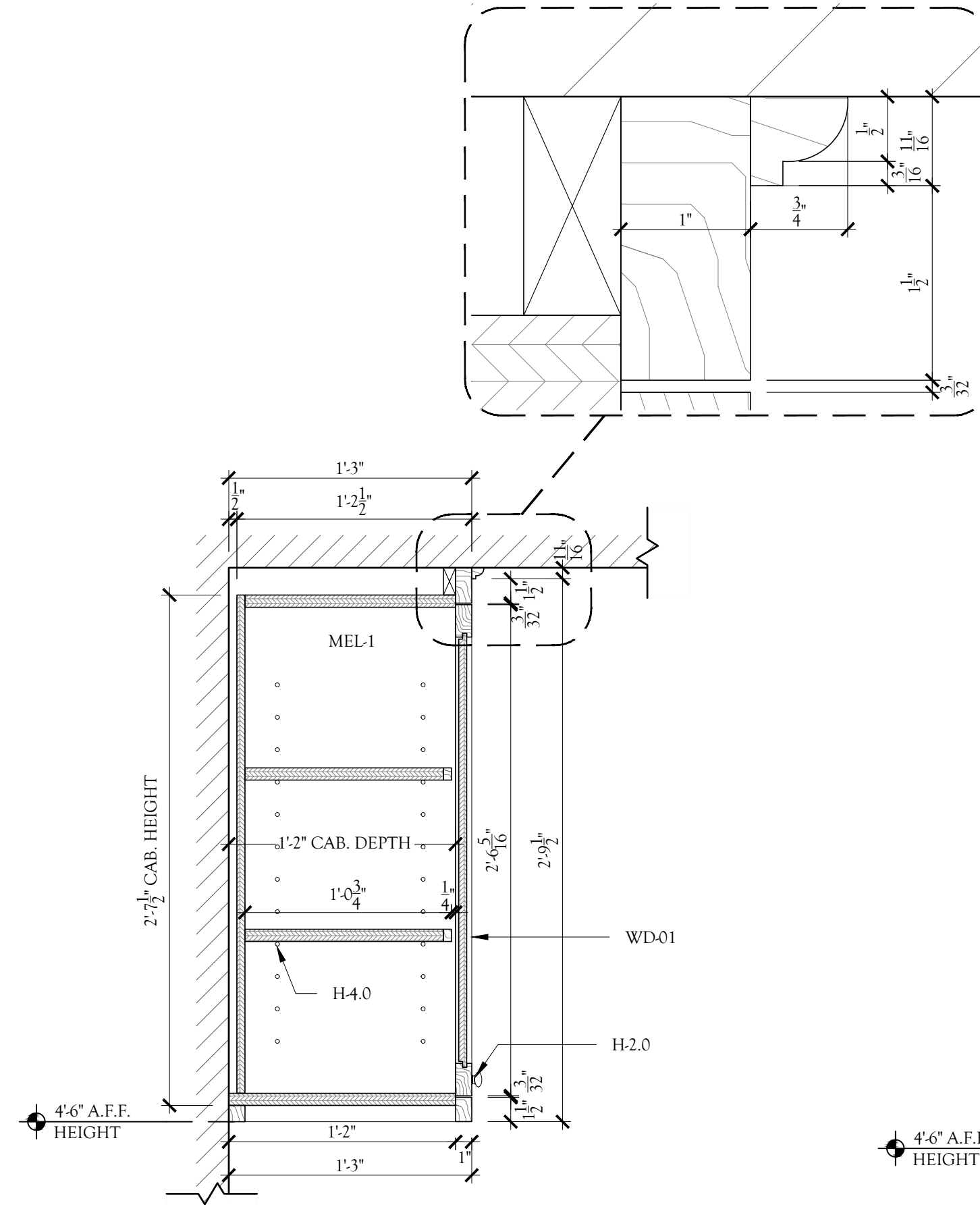
Scale:

VARIES SEE DRAWING

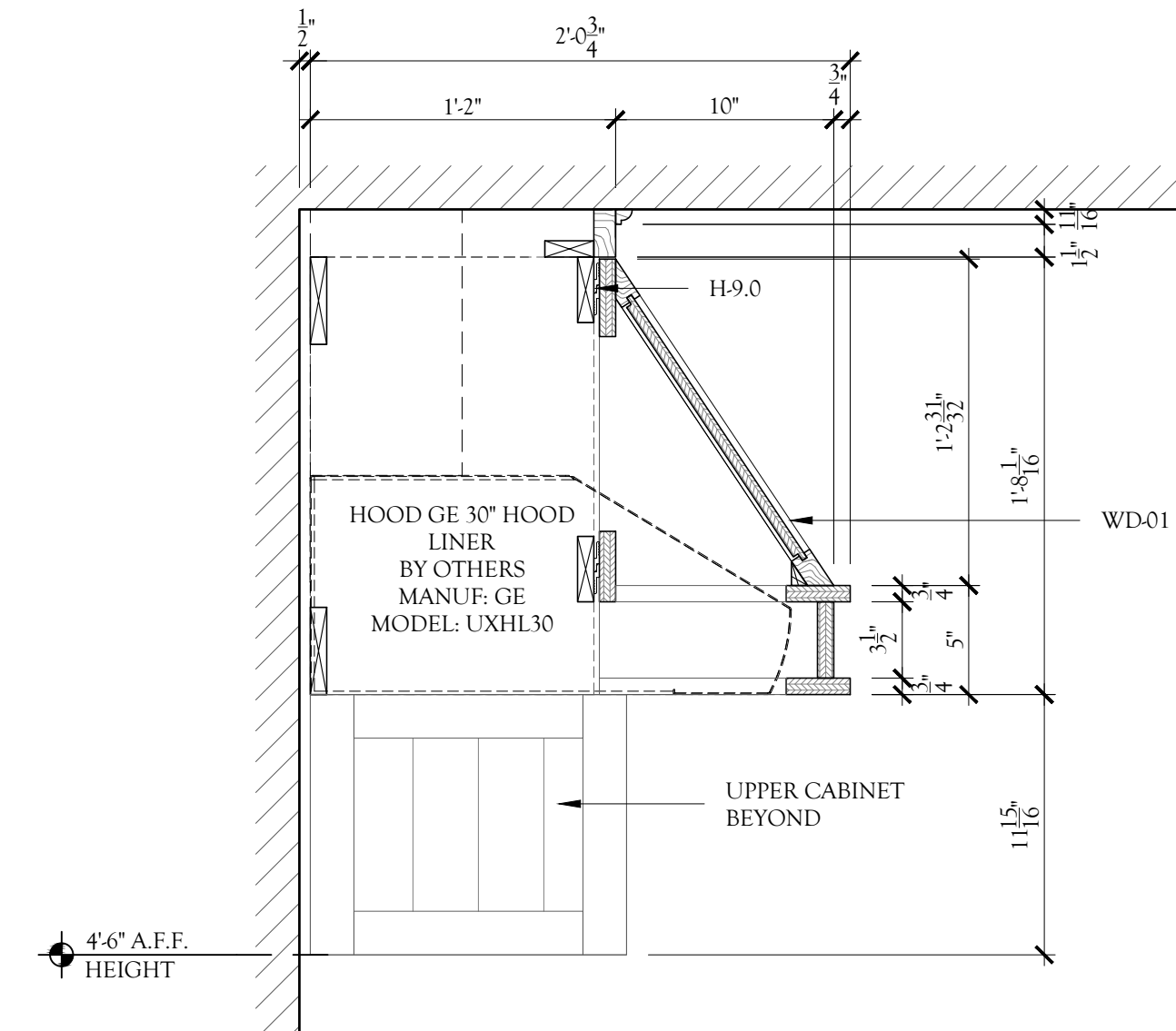
01.4



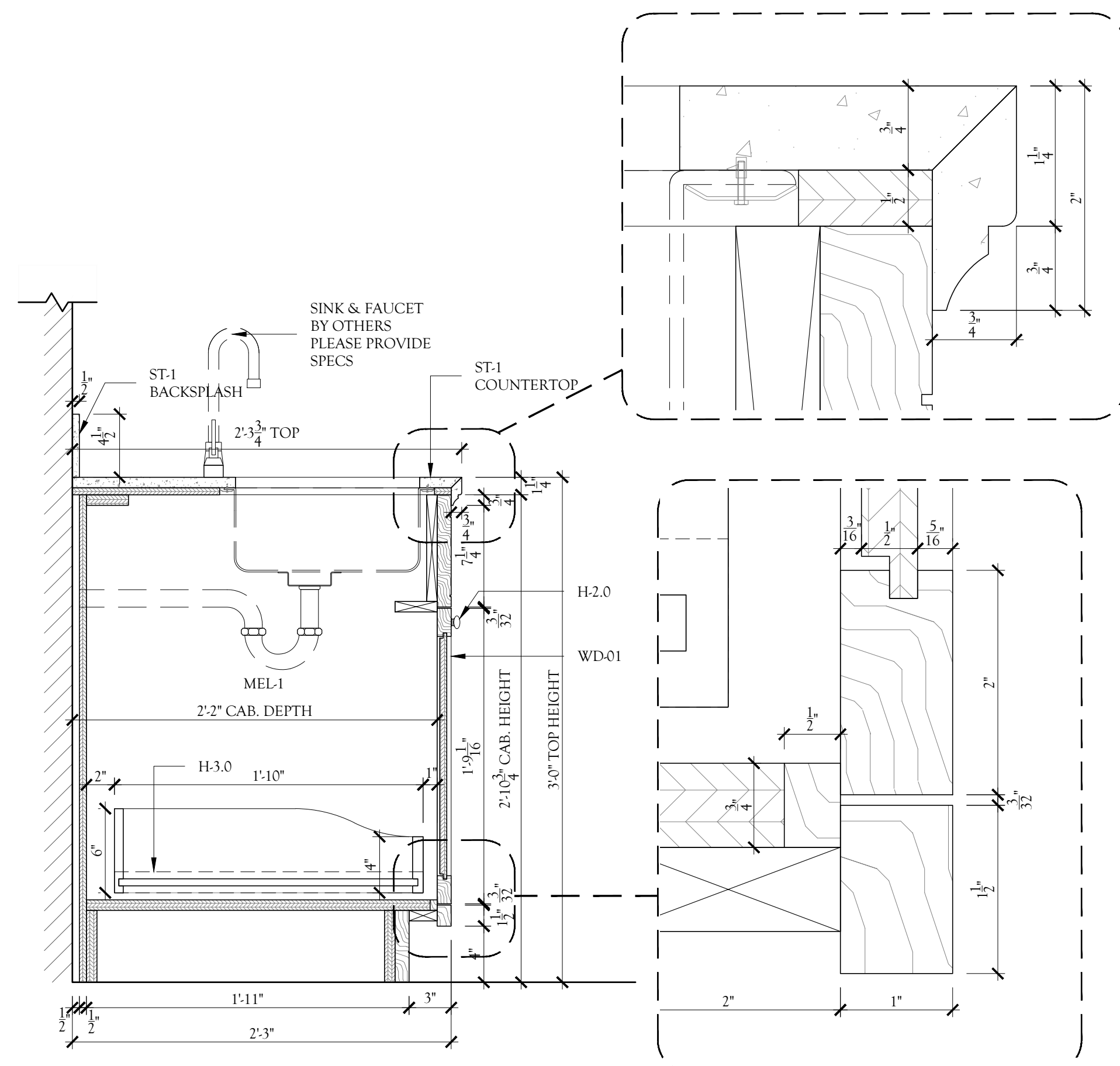
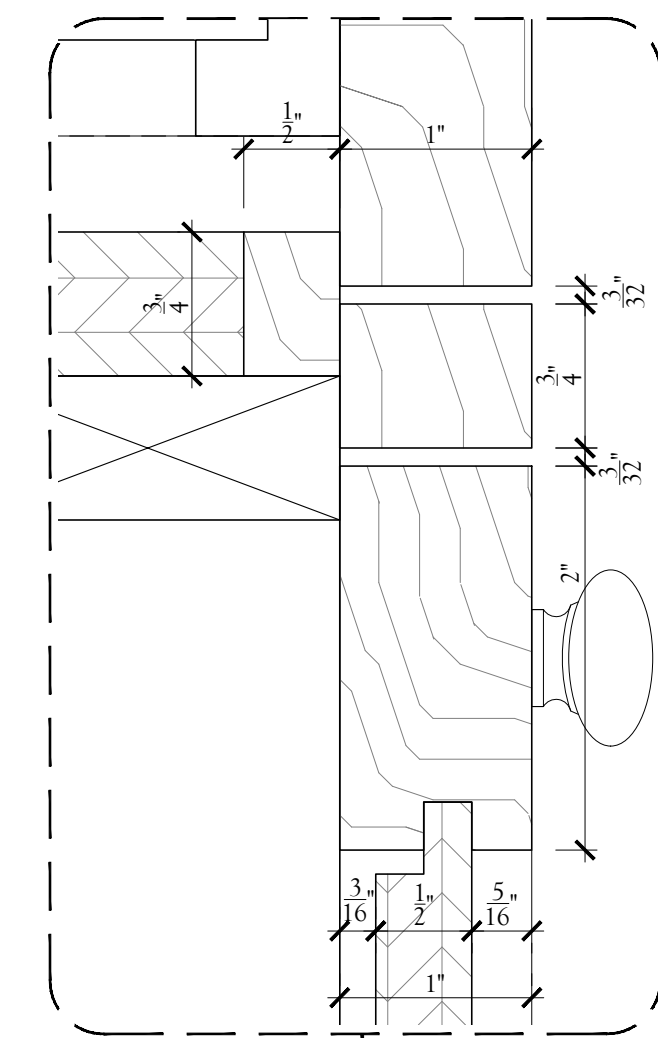
5 GUEST HOUSE KITCHEN : SECTION
REFERENCE: 1/A10.13A
Scale: 1 1/2"=1'-0"



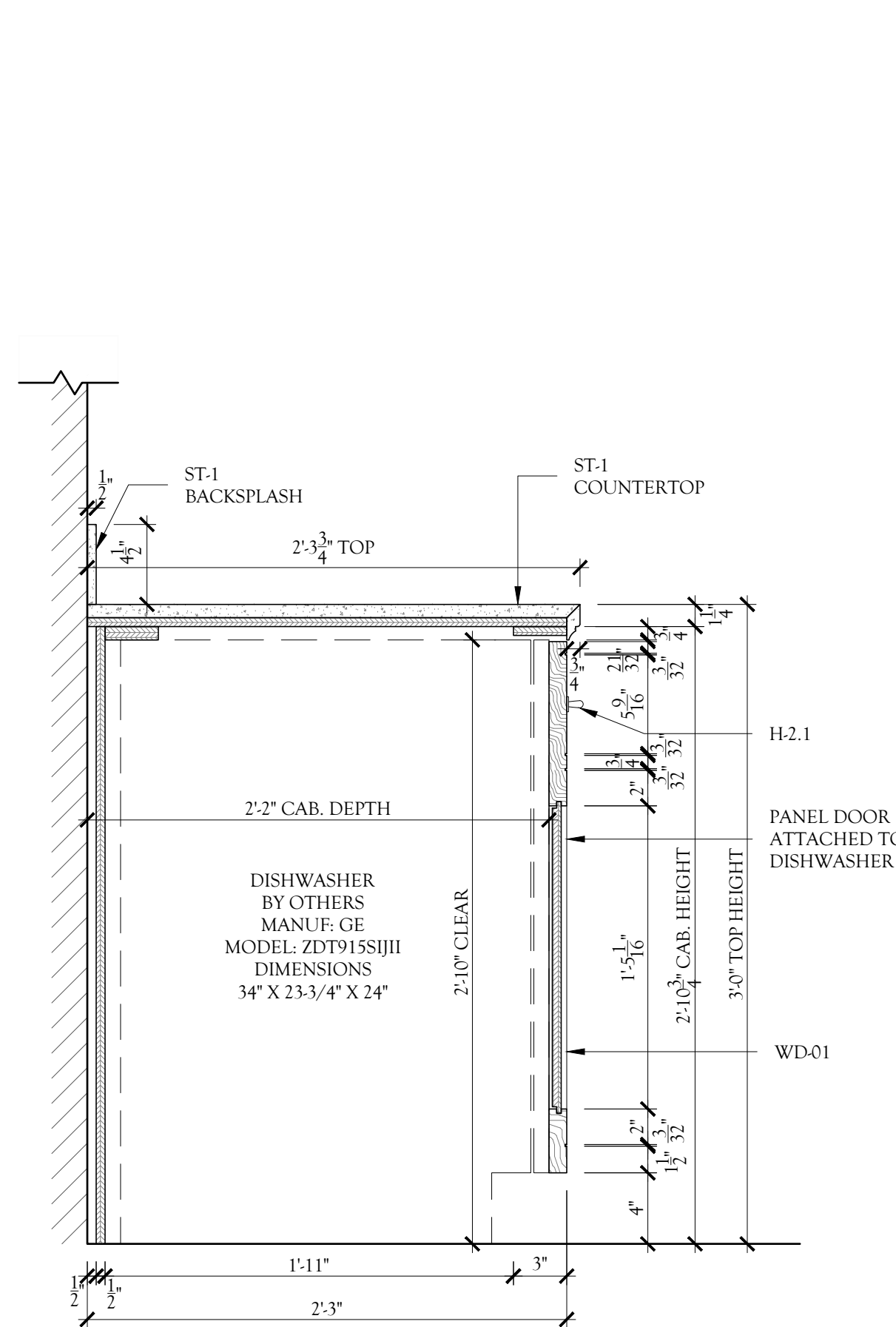
6 GUEST HOUSE KITCHEN : SECTION
REFERENCE: 6/A10.13A
Scale: 1 1/2"=1'-0"



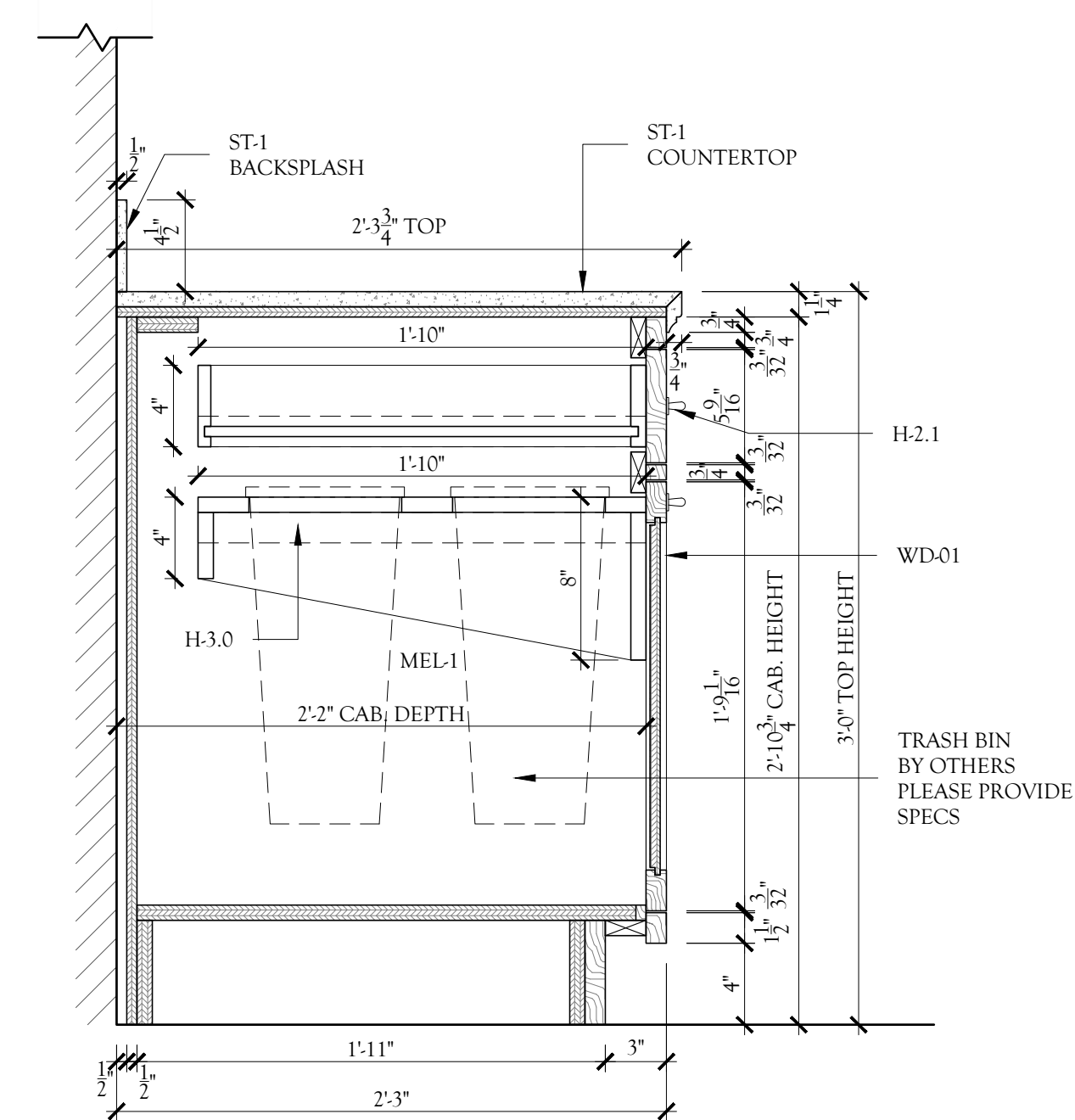
7 GUEST HOUSE KITCHEN : SECTION
REFERENCE: 4/A10.13A
Scale: 1 1/2"=1'-0"



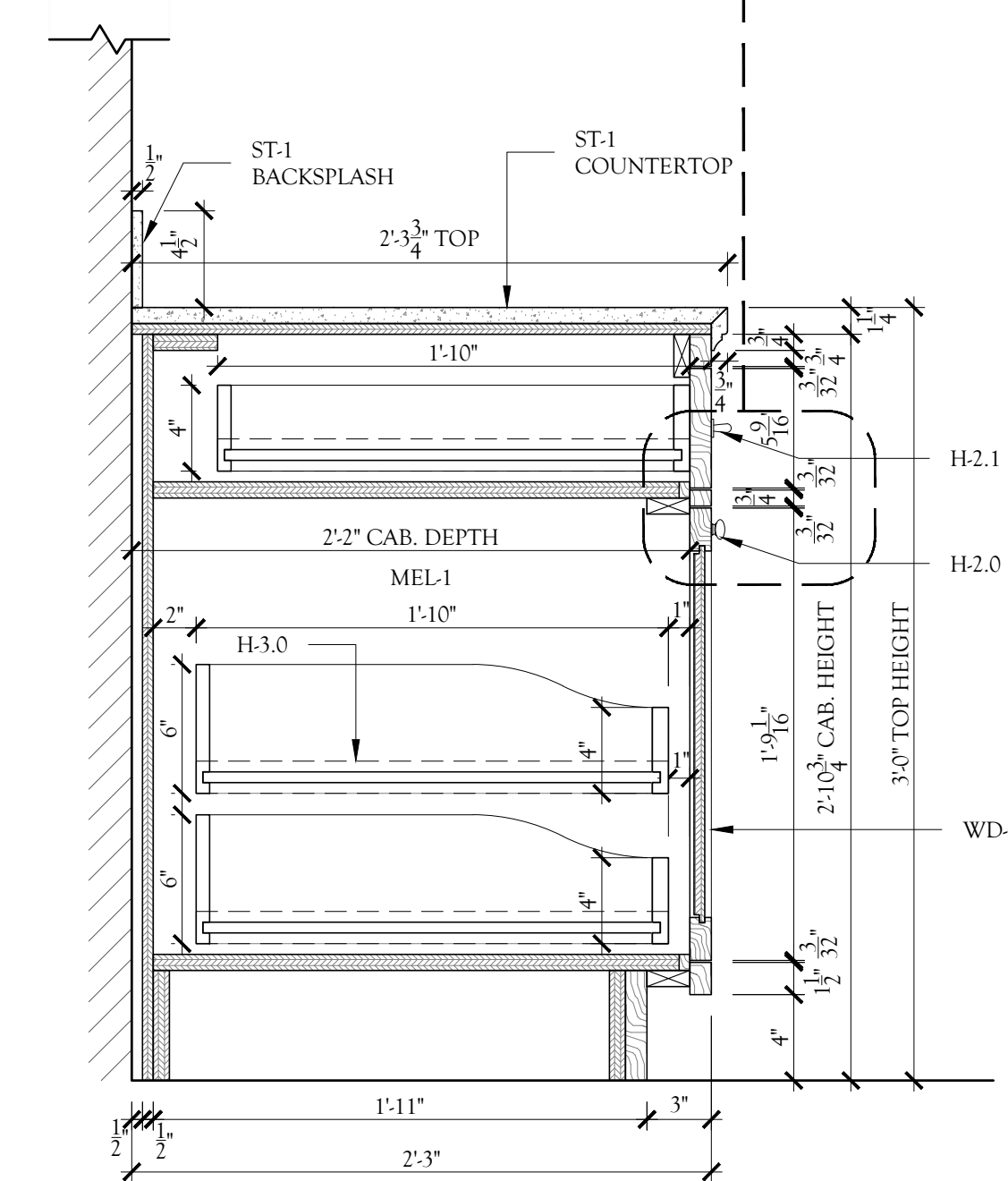
1 GUEST HOUSE KITCHEN : SECTION
REFERENCE: 6/A10.13A
Scale: 1 1/2"=1'-0"



2 GUEST HOUSE KITCHEN : SECTION
REFERENCE: 5/A10.13A
Scale: 1 1/2"=1'-0"



3 GUEST HOUSE KITCHEN : SECTION
REFERENCE: 3/A10.13A
Scale: 1 1/2"=1'-0"



4 GUEST HOUSE KITCHEN : SECTION
REFERENCE: 2/A10.13A
Scale: 1 1/2"=1'-0"